

[54] SUN VISOR

4,724,546 2/1988 Cumbie, Jr. 2/12

[76] Inventor: Robyn Karp, 102 Stratford Rd.,
Harrison, N.Y. 10528

Primary Examiner—A. Hugo Word
Assistant Examiner—Paula Allen
Attorney, Agent, or Firm—Amster, Rothstein &
Ebenstein

[**] Term: 14 Years

[21] Appl. No.: 357,582

[57] CLAIM

[22] Filed: May 25, 1989

The ornamental design for a sun visor, as shown and
described.

[52] U.S. Cl. D16/107

[58] Field of Search D2/247, 246; D29/18,
D29/15; 2/181, 12, 195, 199, 244, 246, 174, 185;
D24/8, 34, 49; D16/102, 103, 107, 108, 110,
111, 112, 113

DESCRIPTION

[56] References Cited

U.S. PATENT DOCUMENTS

D. 306,512 3/1990 Thomas et al. D2/246
2,411,831 11/1946 Lehmborg et al. 2/181
3,325,824 6/1967 Donegan D16/112 X

FIG. 1 is a top plan view of the sun visor showing my
new design;
FIG. 2 is a left side elevational view, the right side being
a mirror image thereof;
FIG. 3 is a front elevational view thereof;
FIG. 4 is a rear elevational view thereof; and
FIG. 5 is a left side elevational view with the visor in a
raised position.

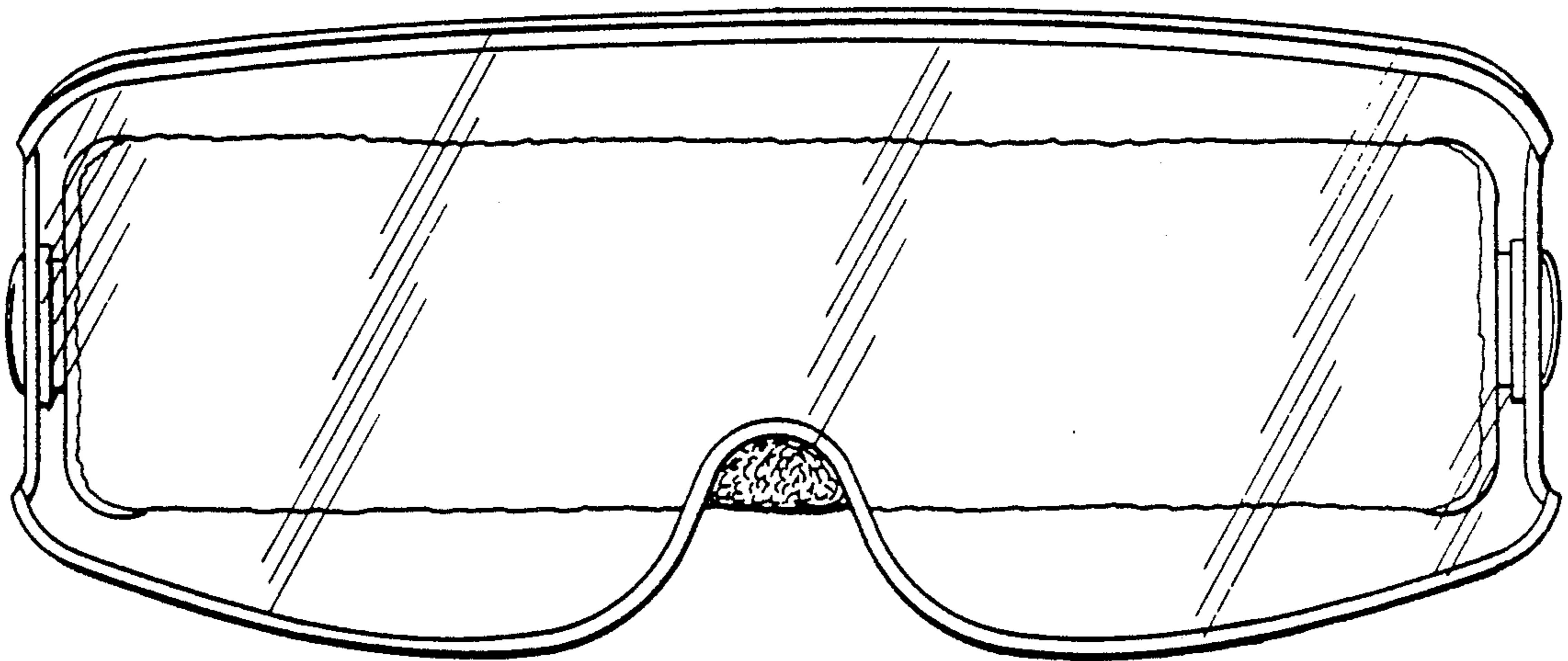
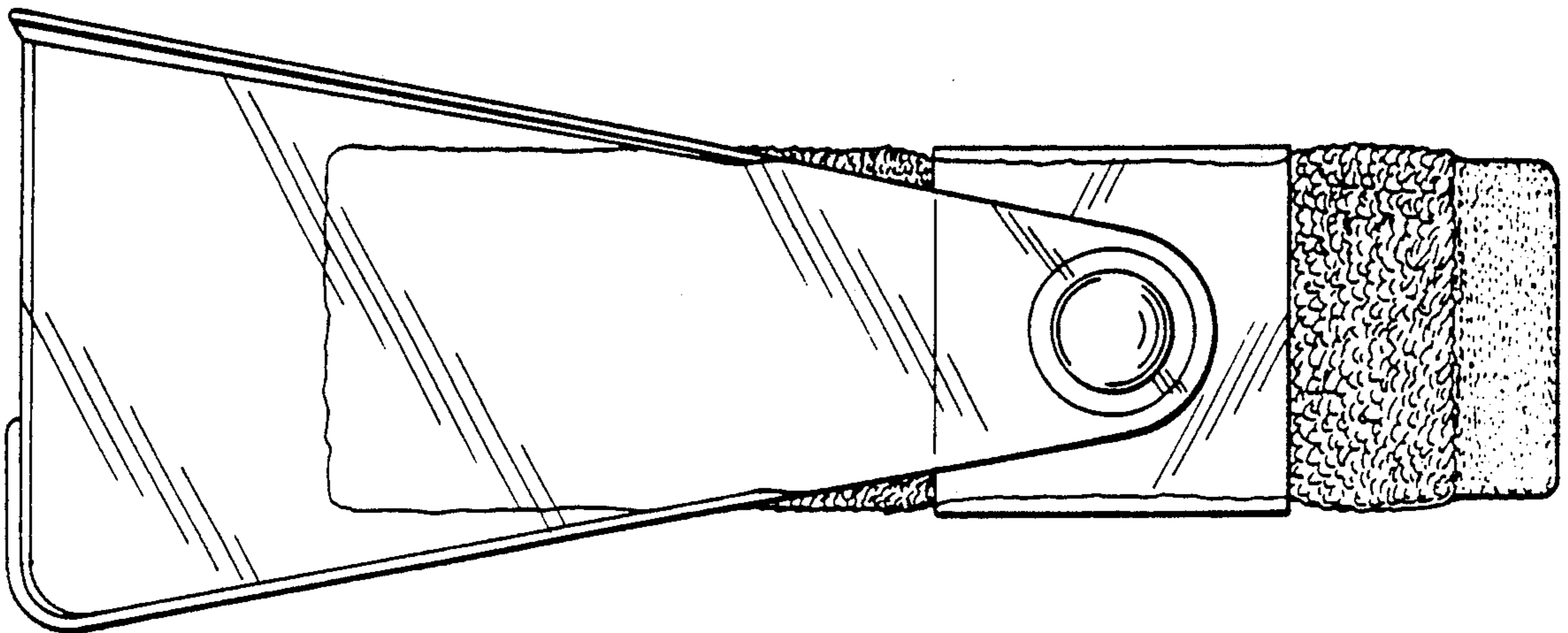


FIG. 1

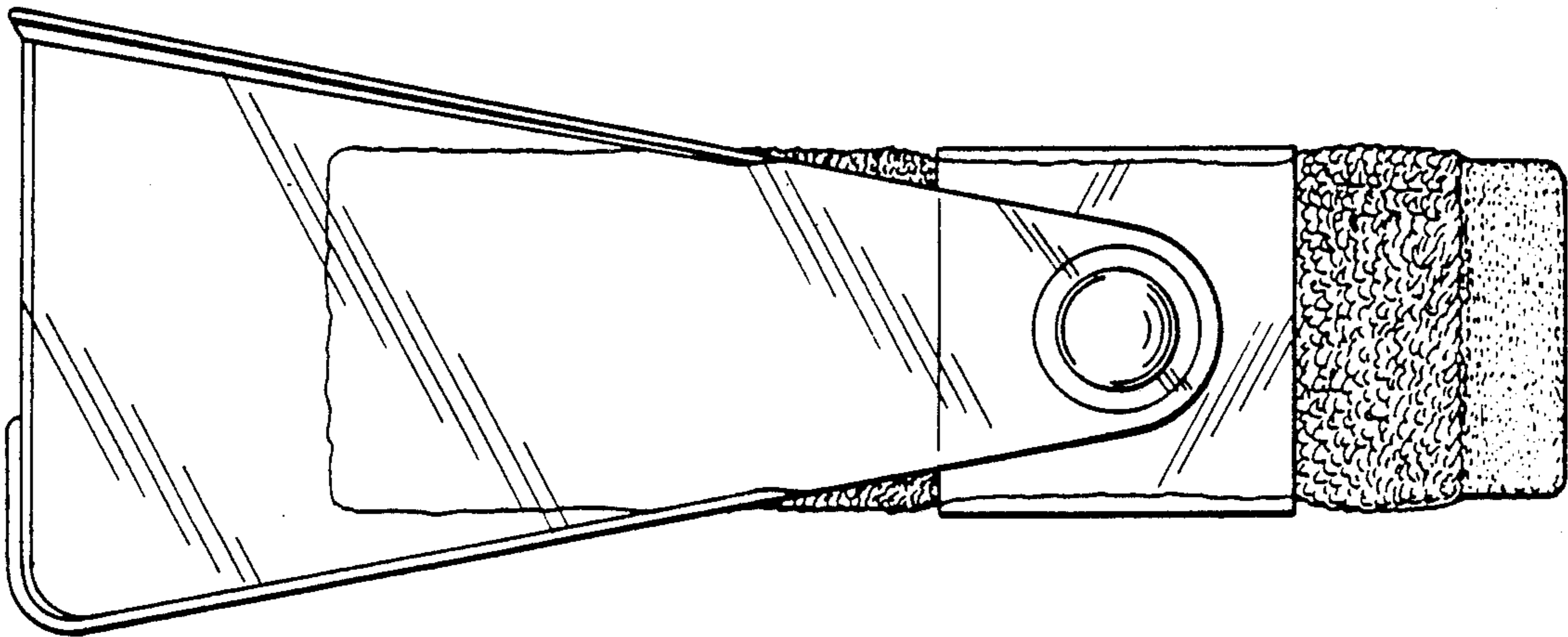
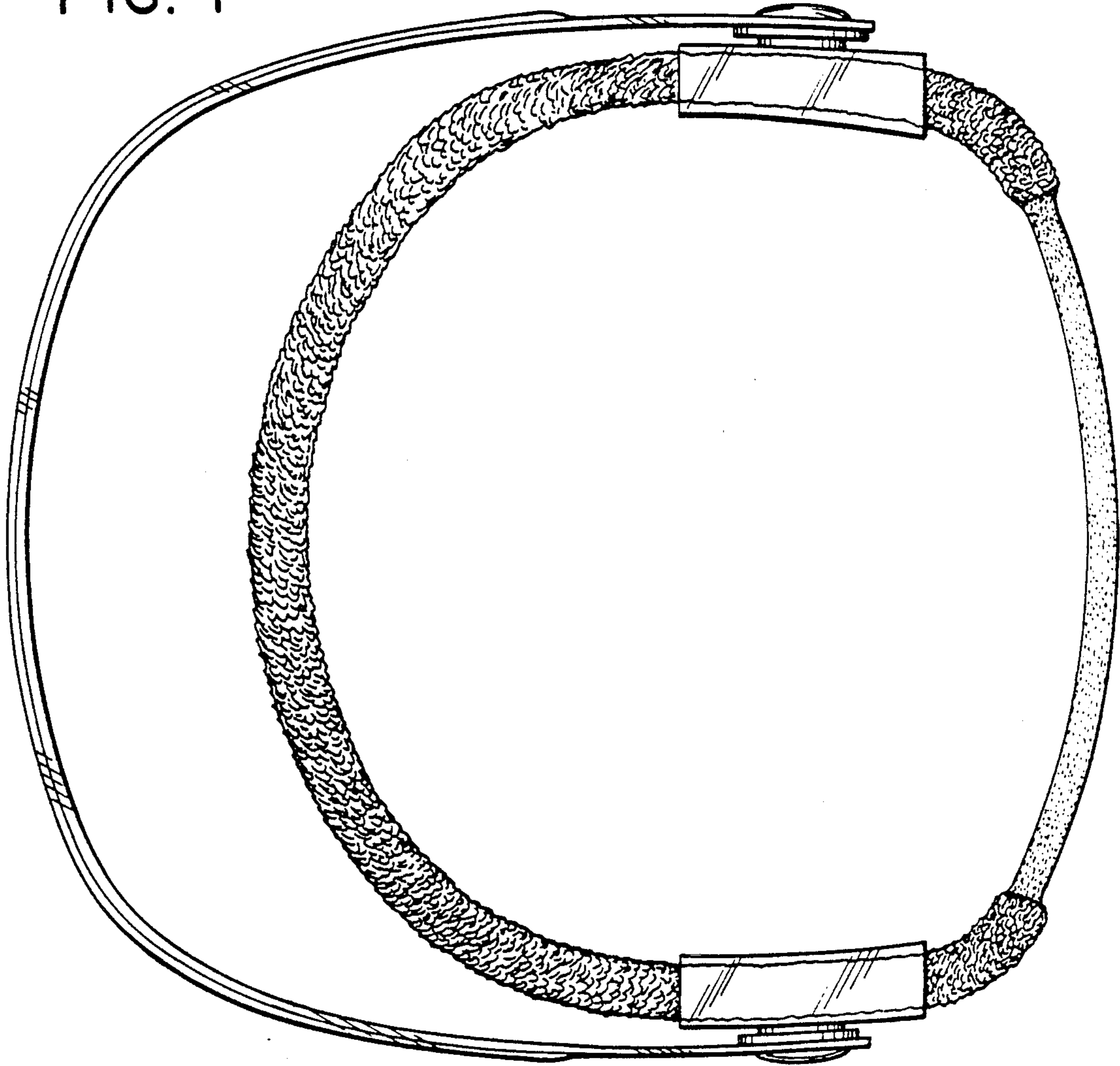


FIG. 2

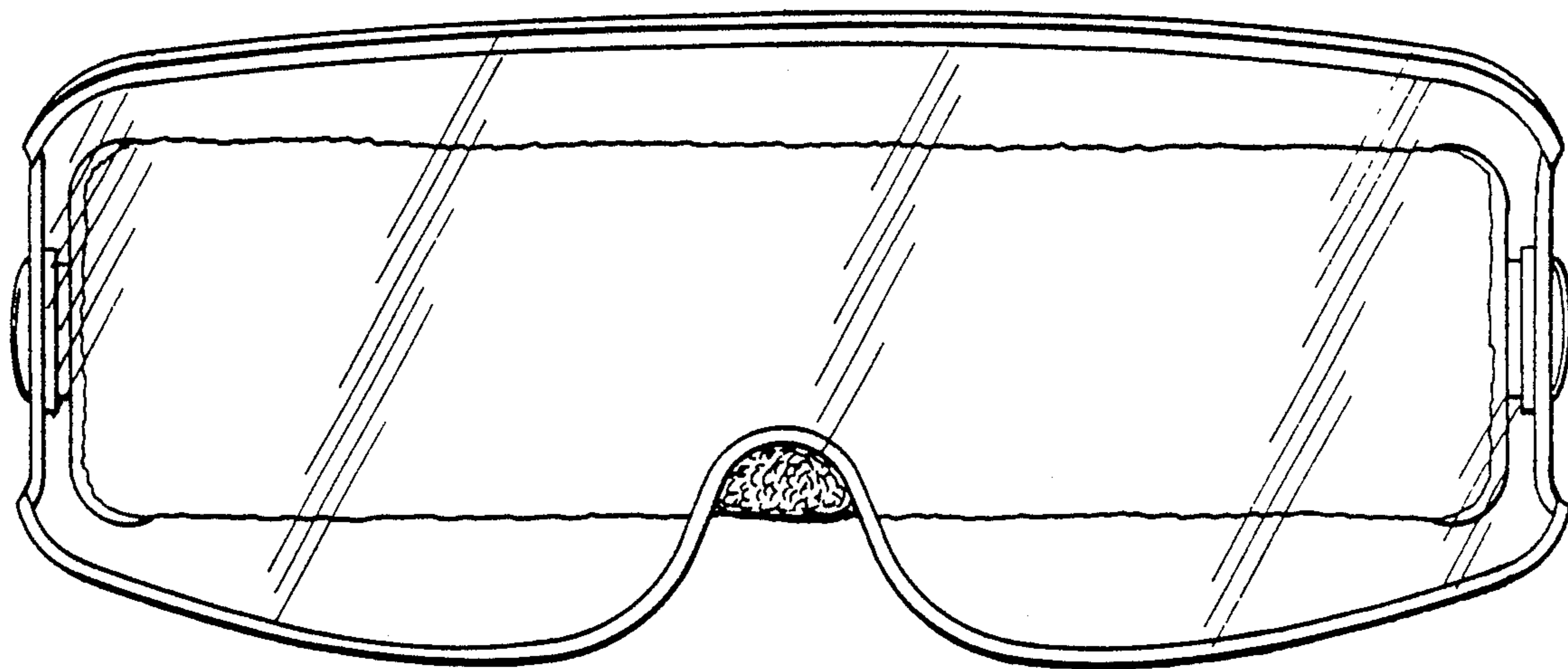


FIG. 3

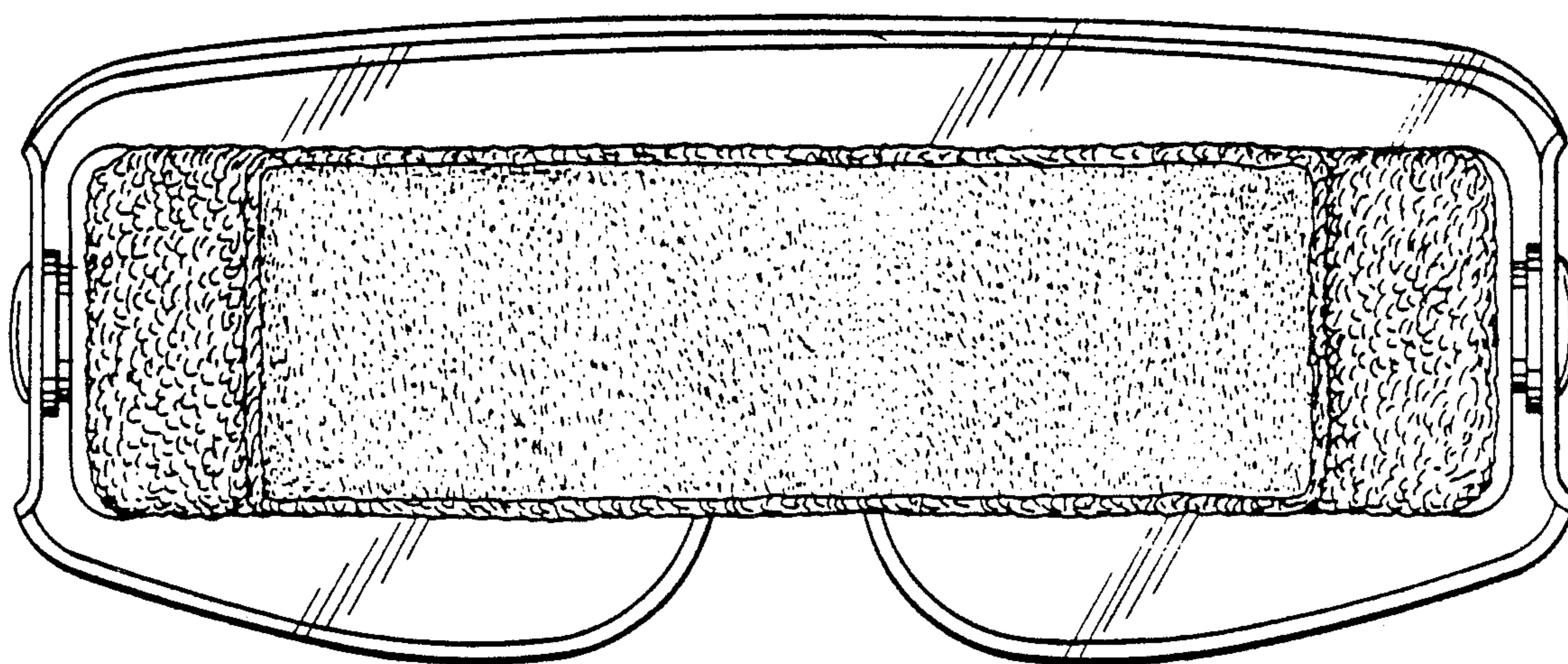


FIG. 4

FIG. 5

