

[54] SEWING MACHINE

D. 313,806 1/1991 Shibayama D15/70
D. 314,390 2/1991 Kuroki D15/68

[75] Inventors: Yoshiaki Eguchi; Nobufusa Kuroki,
both of Tokyo, Japan

Primary Examiner—B. J. Bullock
Assistant Examiner—Sandra Morris
Attorney, Agent, or Firm—Michael J. Striker

[73] Assignee: Janome Sewing Machine Co. Ltd.,
Tokyo, Japan

[57] CLAIM

[**] Term: 14 Years

The ornamental design for a sewing machine, as shown
and described.

[21] Appl. No.: 457,539

DESCRIPTION

[22] Filed: Dec. 27, 1989

FIG. 1 is a perspective view of a sewing machine, show-
ing our new design;

[52] U.S. Cl. D15/69

FIG. 2 is an enlarged front elevational view thereof;

[58] Field of Search D15/66-76;
212/199, 217.1-217.4, 258-261, 262.1

FIG. 3 is an enlarged rear elevational view thereof;

FIG. 4 is an enlarged top plan view thereof;

FIG. 5 is an enlarged bottom plan view thereof;

FIG. 6 is an enlarged left side elevational view thereof;

FIG. 7 is an enlarged right side elevational view
thereof.

[56] References Cited

U.S. PATENT DOCUMENTS

D. 289,877 5/1987 Yoneda D15/69
D. 292,588 11/1987 Uchida D15/69

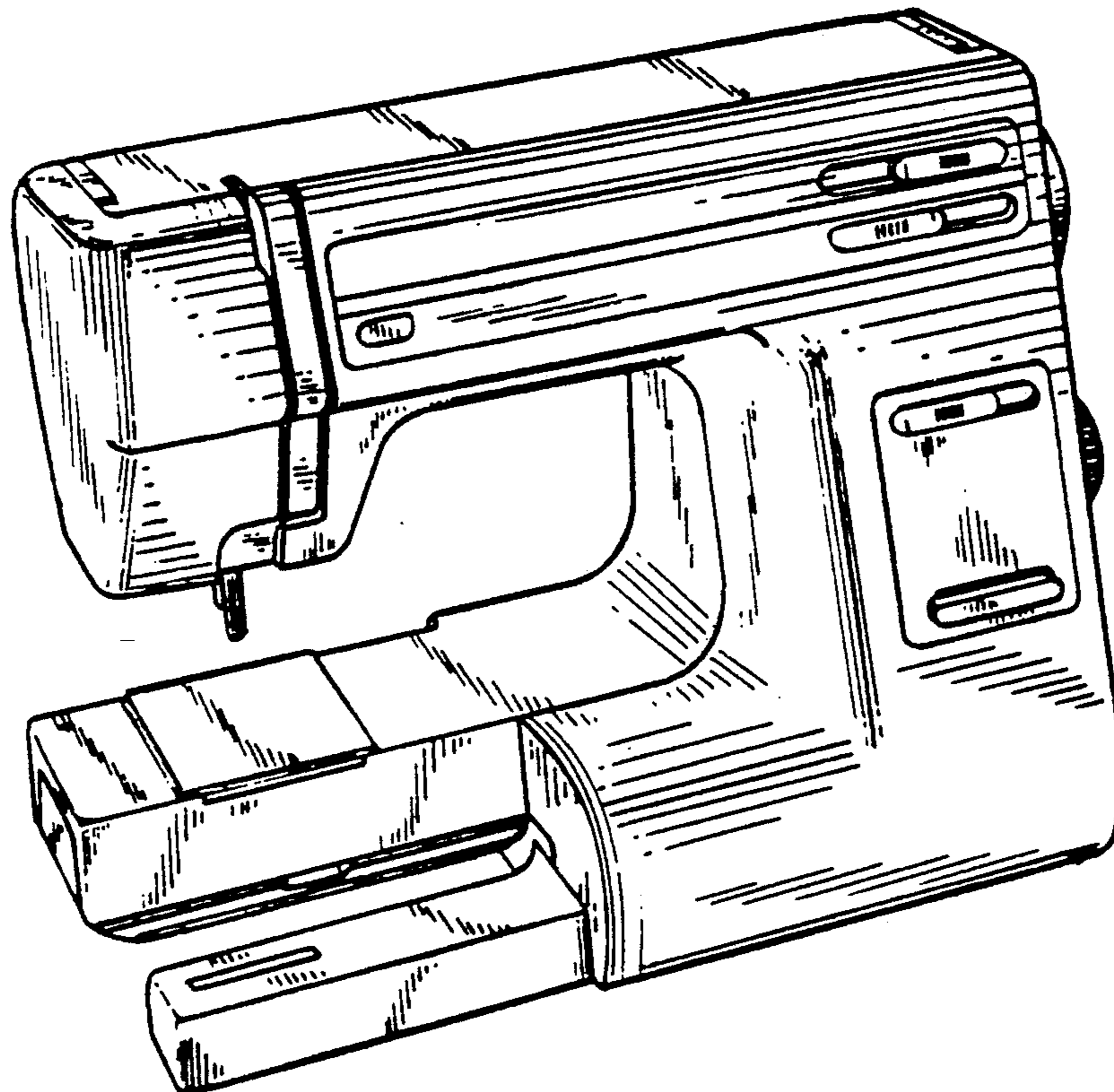


FIG. 1

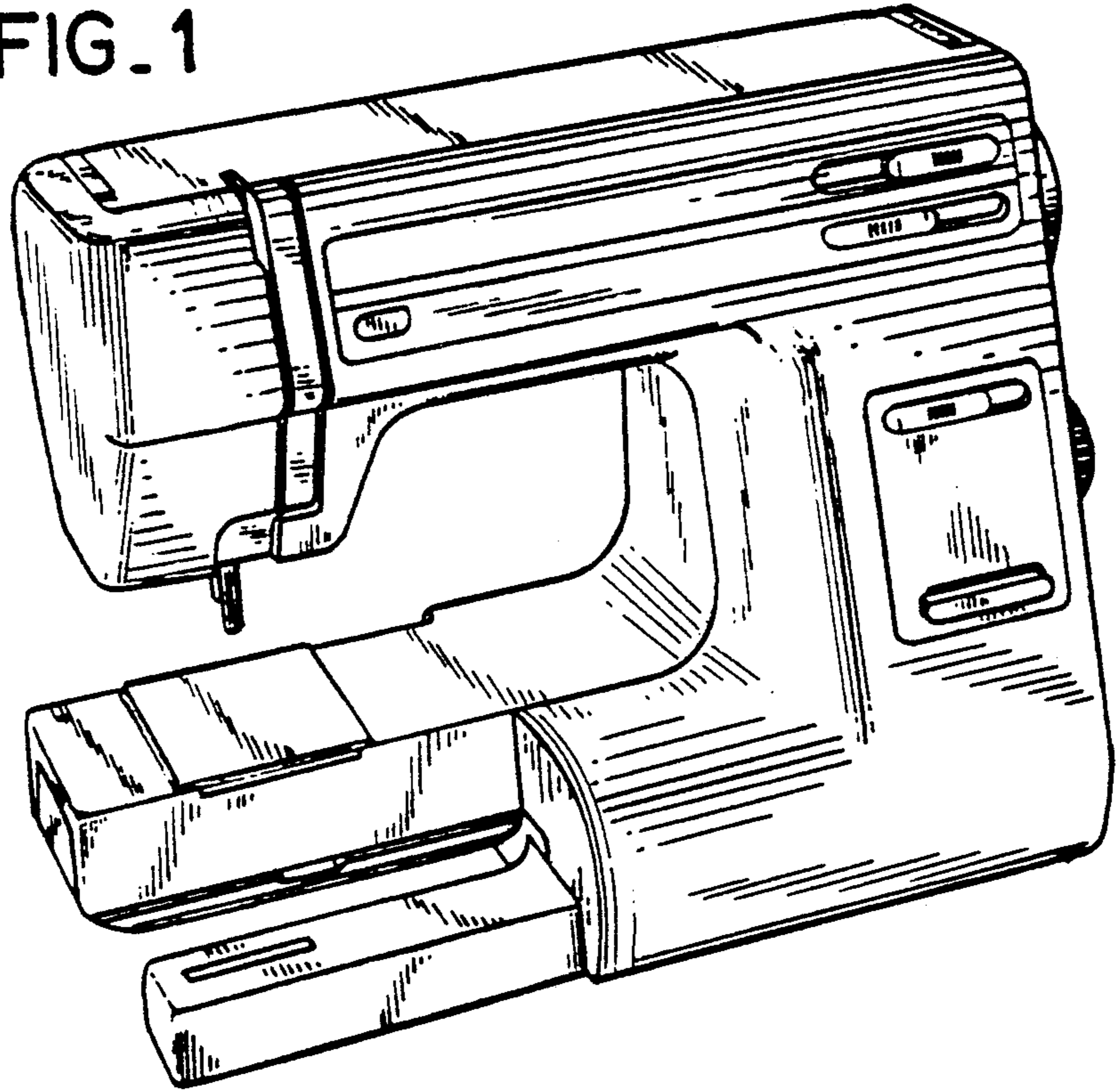


FIG. 6

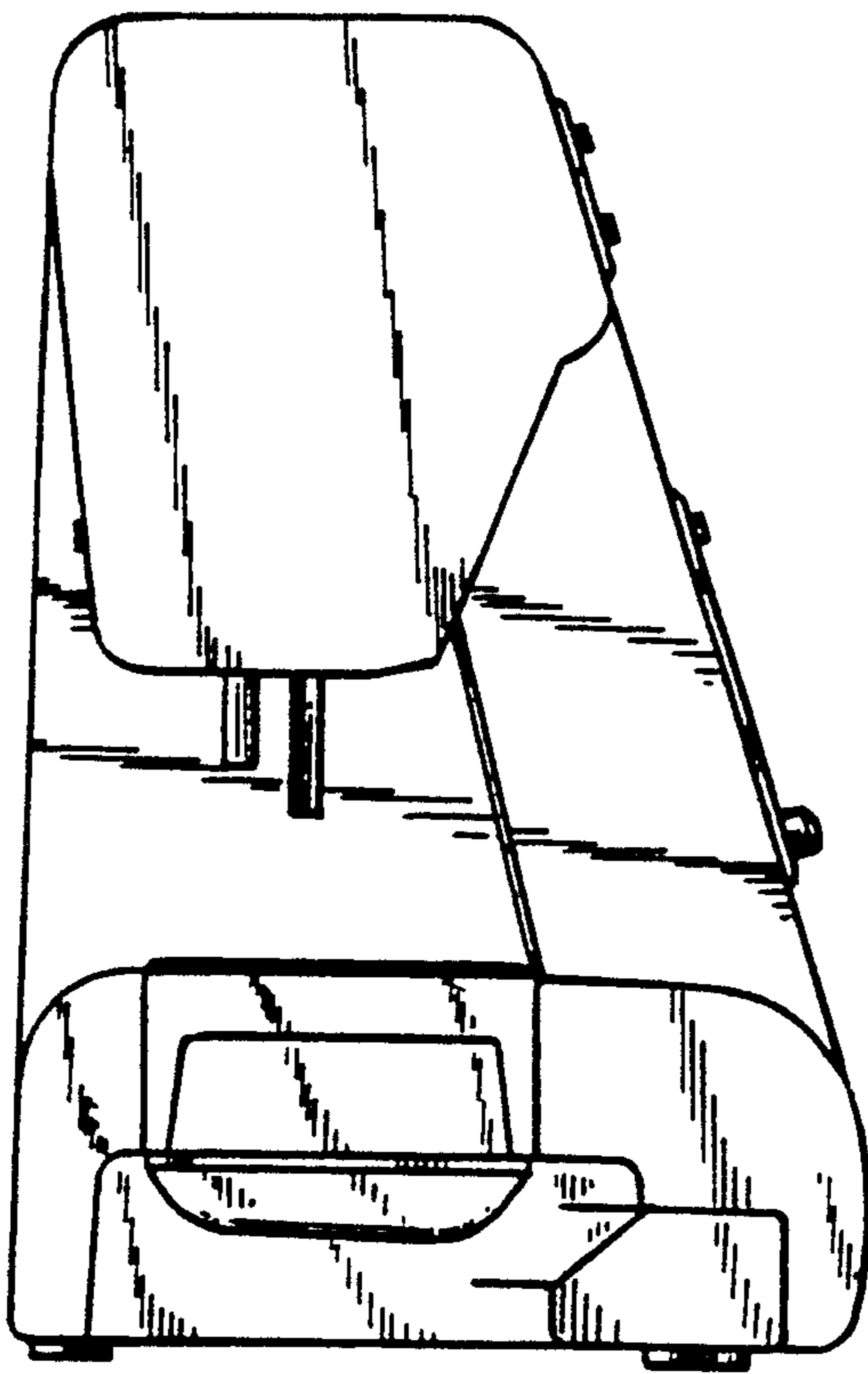


FIG. 7

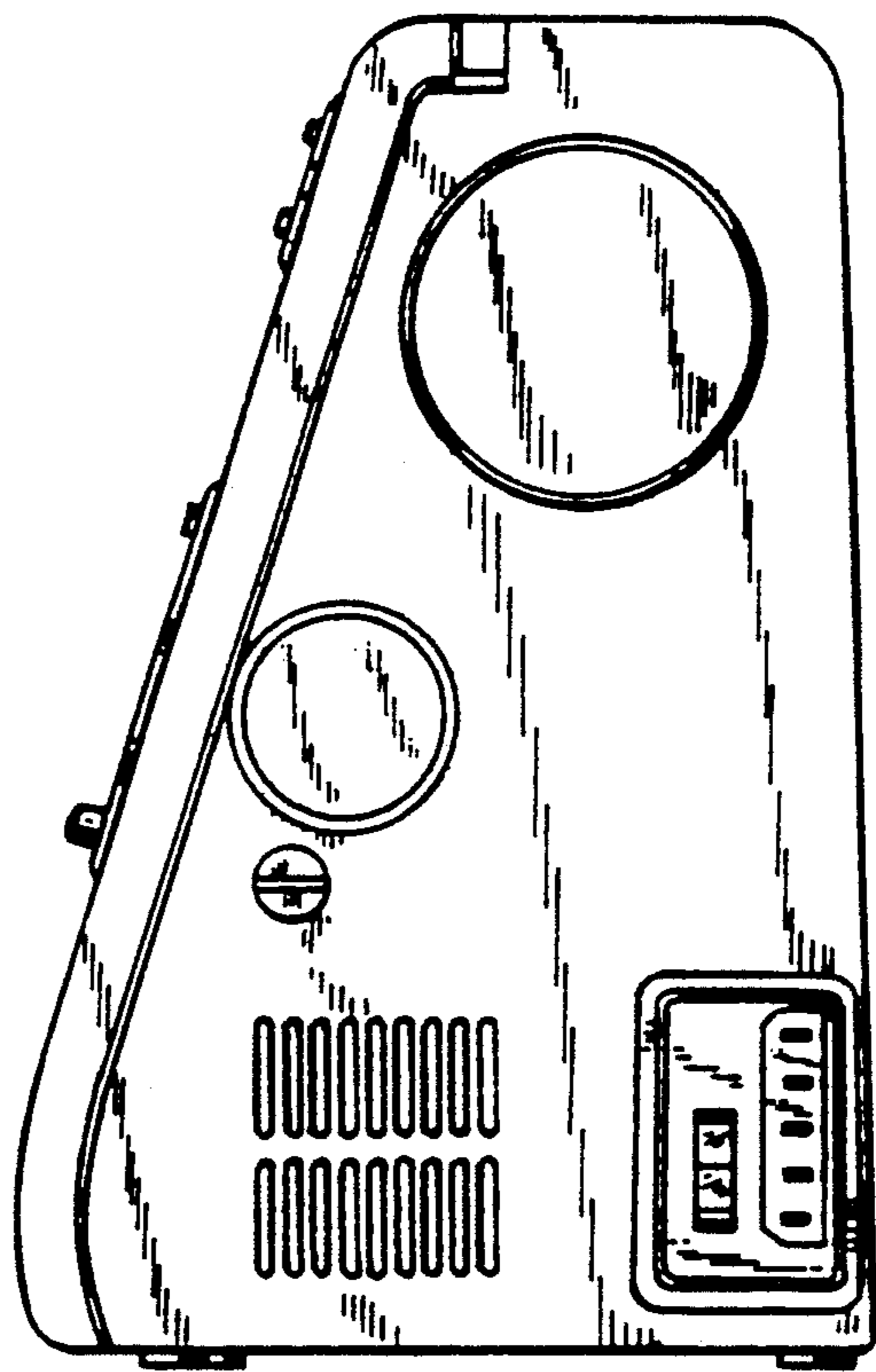


FIG. 2

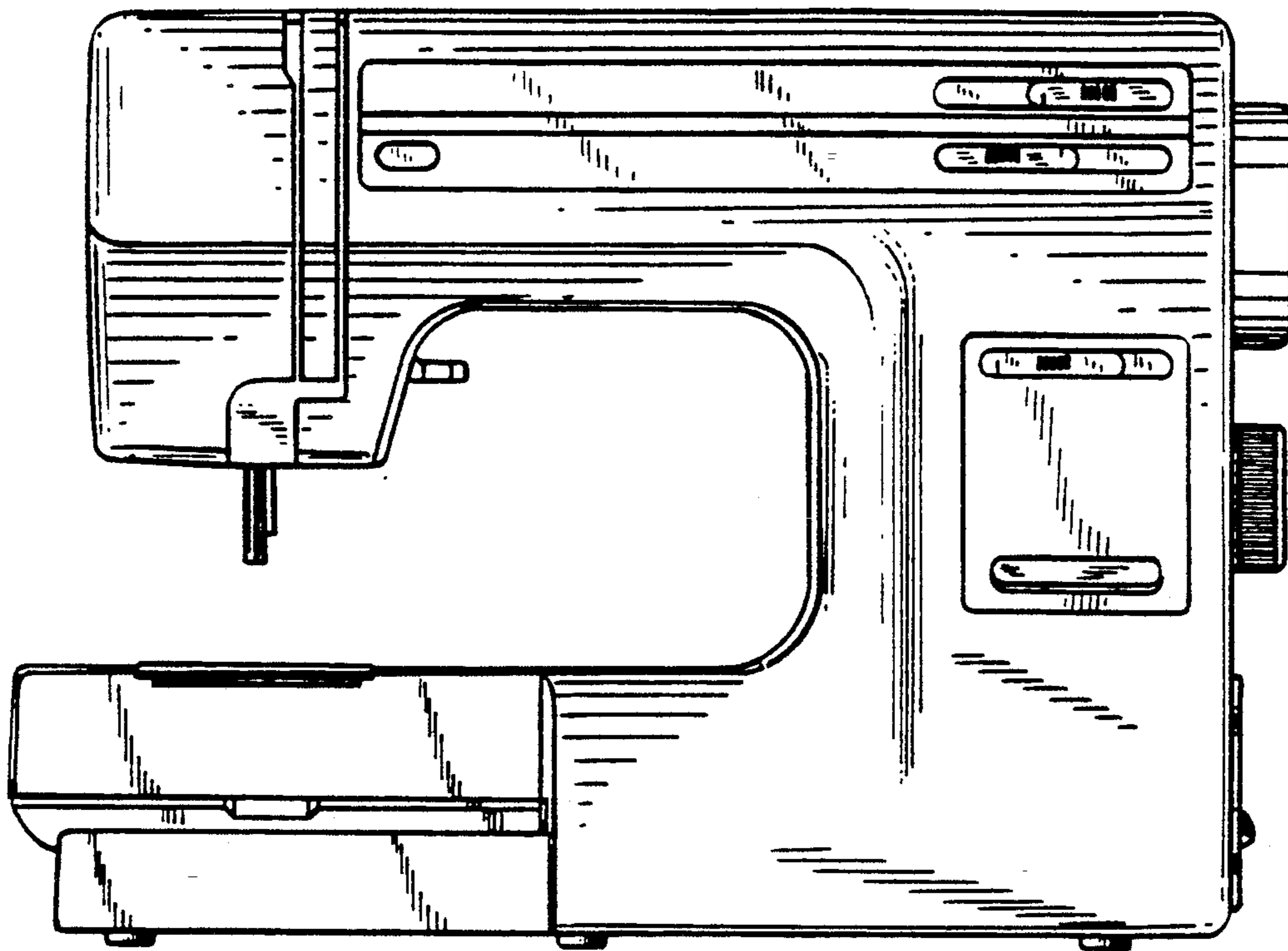


FIG. 4

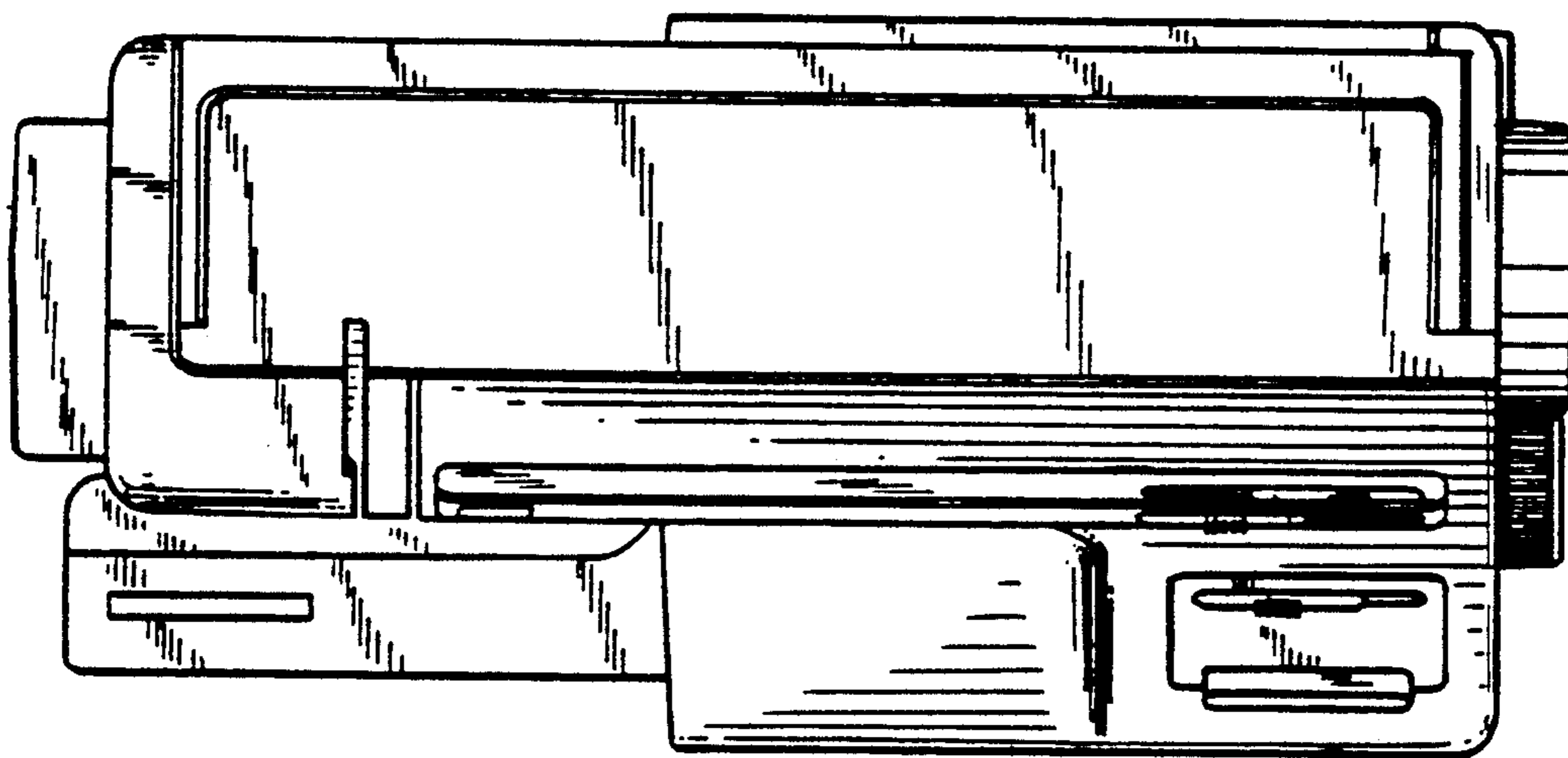


FIG. 3

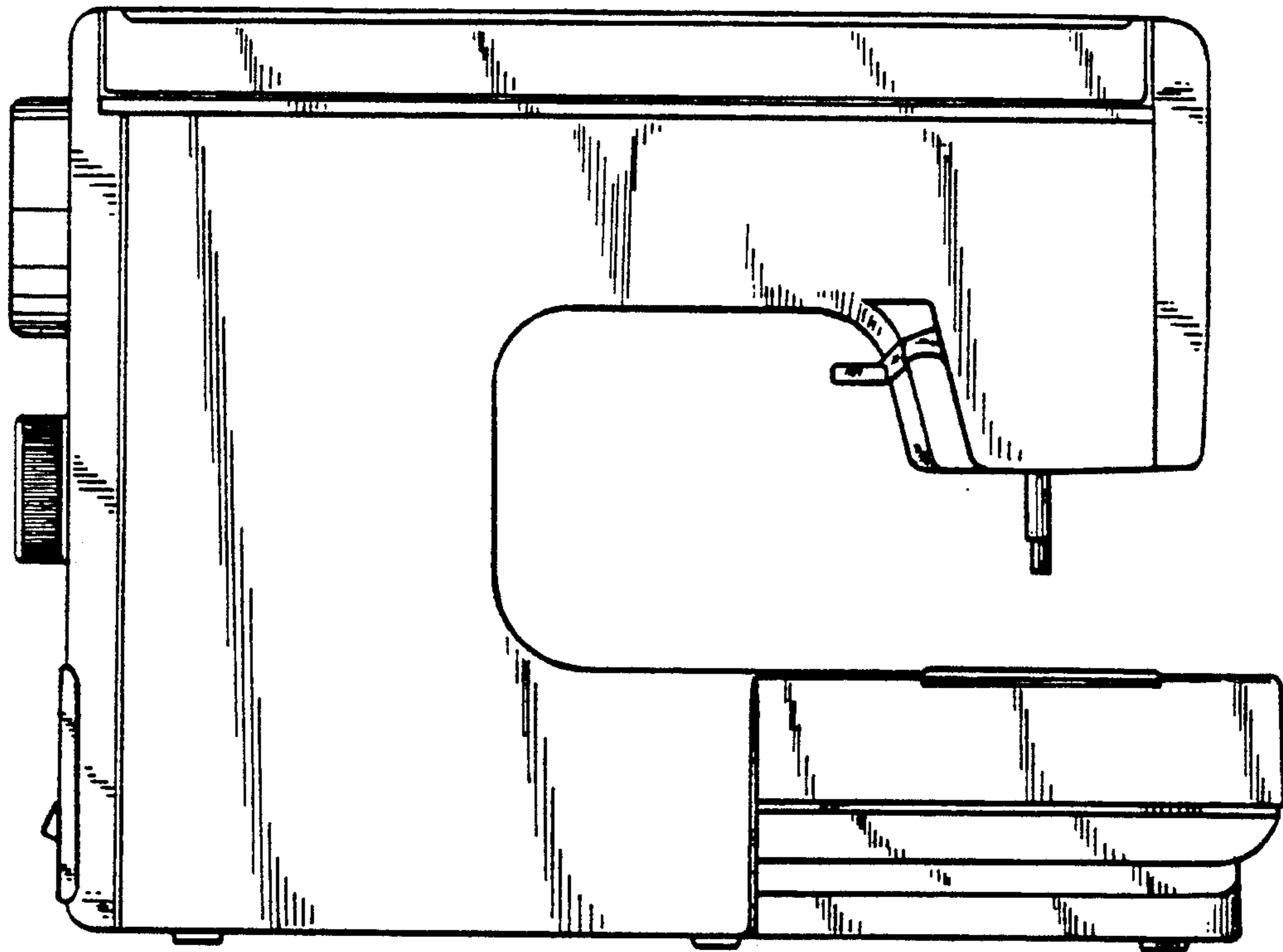


FIG. 5

