

[54] MOBILE IN-LINE STRAINER FOR PAINTS AND RESINS OR THE LIKE

[75] Inventor: Nicholas R. Vann, Sunbury-on-Thames, United Kingdom

[73] Assignee: Russell Finex Limited, London, United Kingdom

[**] Term: 14 Years

[21] Appl. No.: 257,024

[22] Filed: Oct. 12, 1988

[52] U.S. Cl. D15/7

[58] Field of Search D15/5-7; 417/424.1, 404; 210/348

[56] References Cited

U.S. PATENT DOCUMENTS

28,379 3/1898 Perkes D15/7
2,029,655 2/1936 Coulter 210/348

2,366,451 1/1945 McNeal 210/348

Primary Examiner—A. Hugo Word
Assistant Examiner—R. T. Seifert
Attorney, Agent, or Firm—Kinney & Lange

[57] CLAIM

The ornamental design for a mobile in-line strainer for paints and resins or the like, as shown and described.

DESCRIPTION

FIG. 1 is a side elevational view of a mobile in-line strainer for paints and resins or the like showing my new design;
FIG. 2 is a side elevational view of the side opposite that shown in FIG. 1;
FIG. 3 is an end elevational view;
FIG. 4 is an end elevational view of the side opposite that shown in FIG. 3;
FIG. 5 is a top plan view;
FIG. 6 is a bottom plan view; and
FIG. 7 is a side elevational view shown in an alternate position.

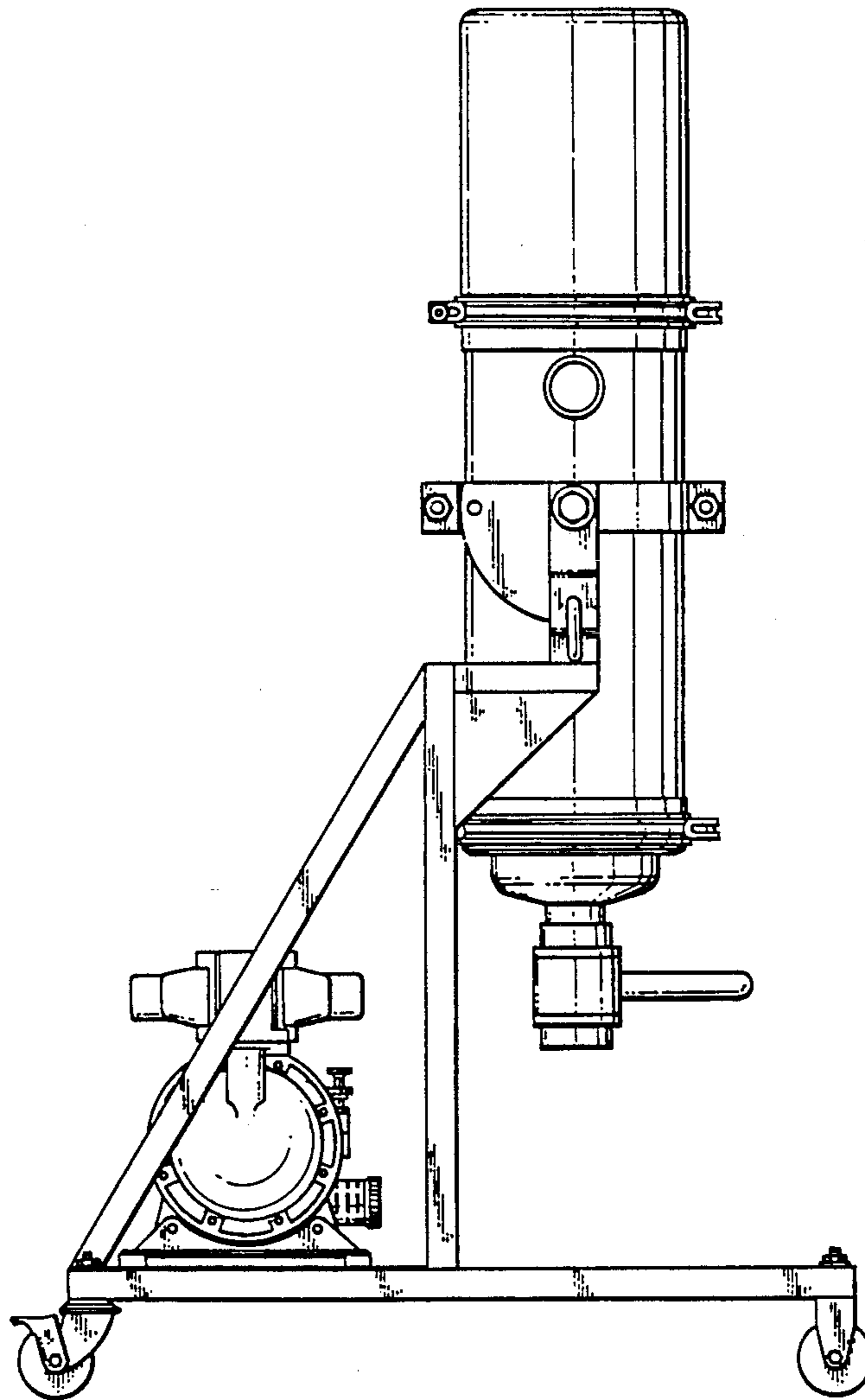
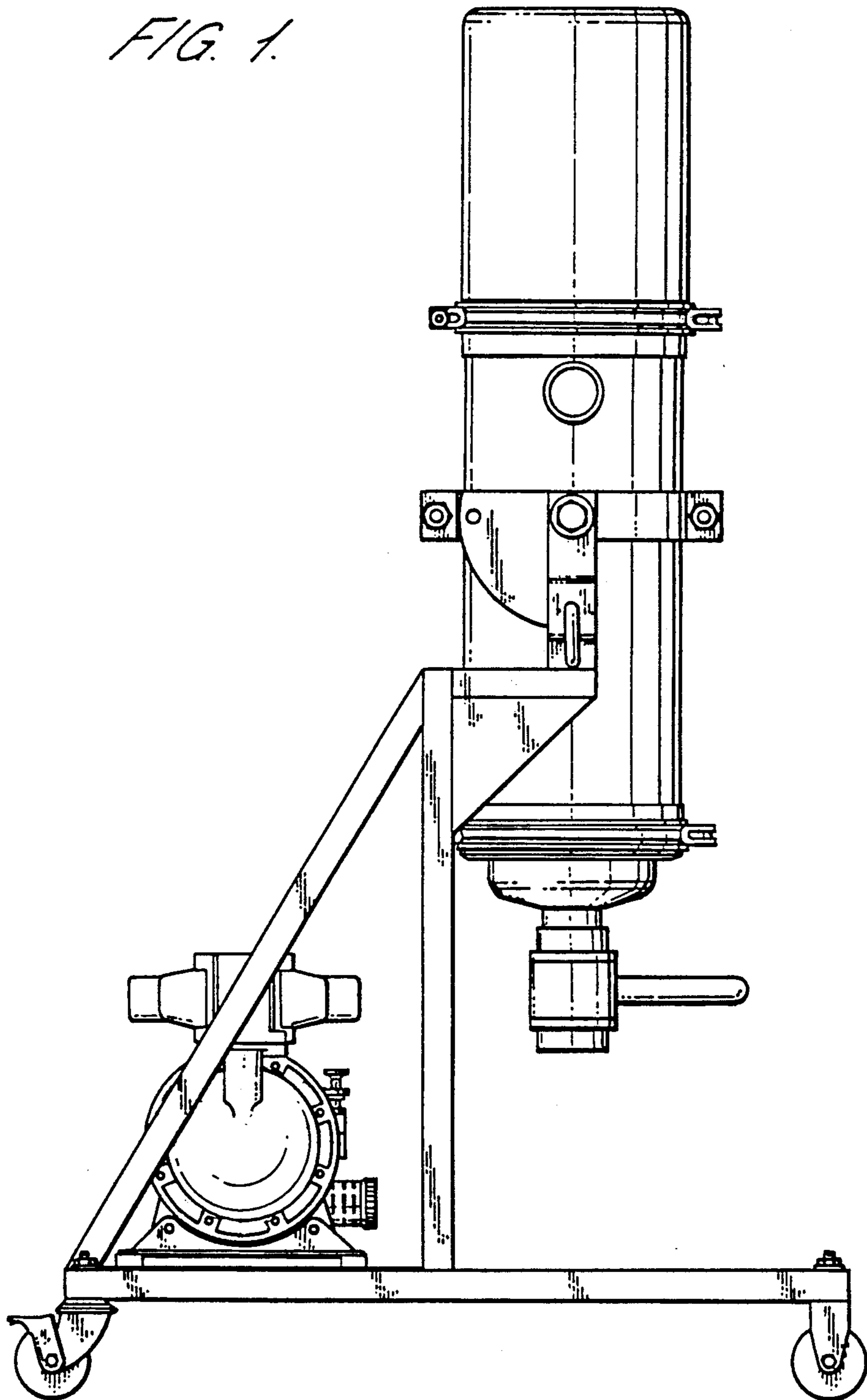


FIG. 1.



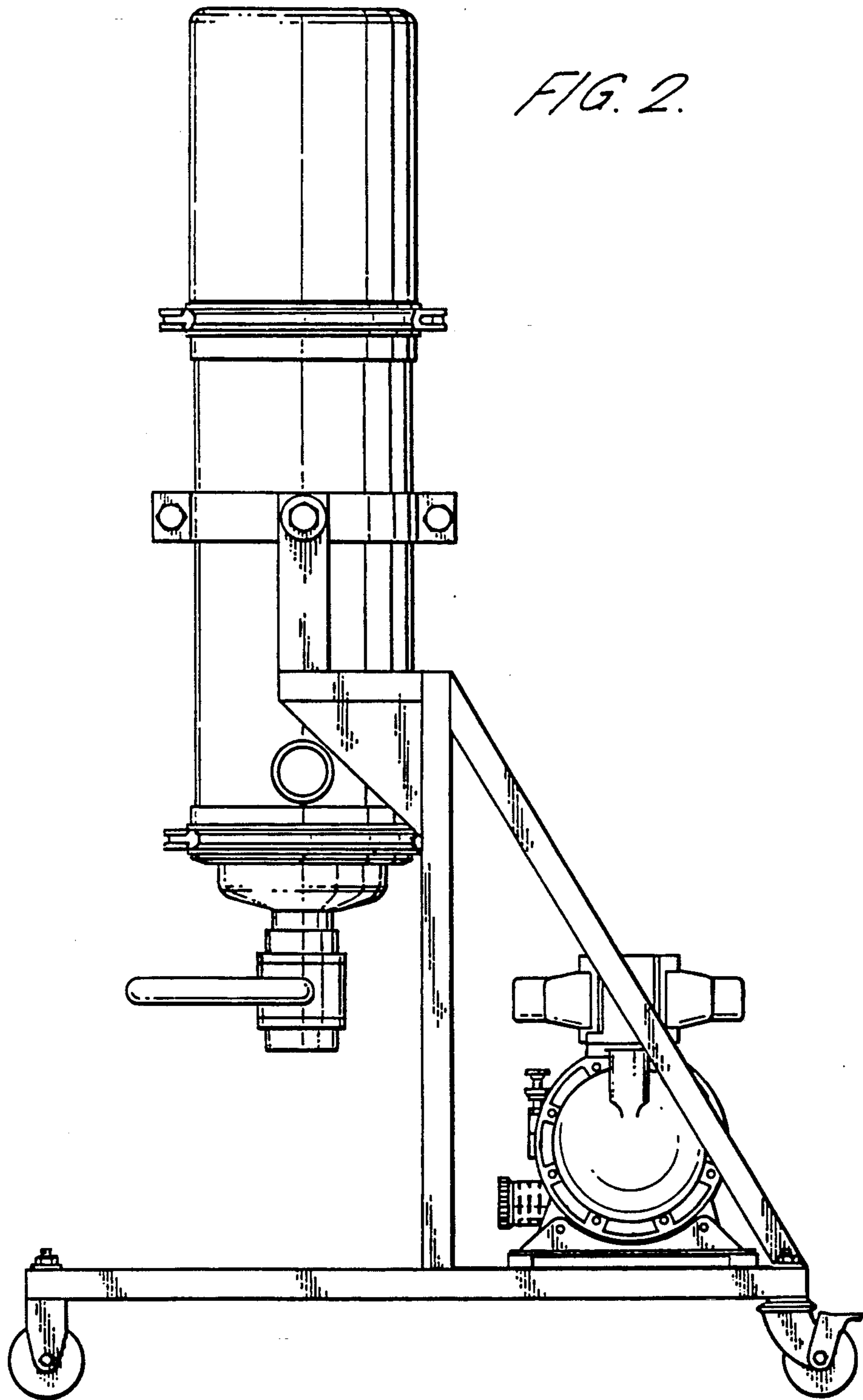


FIG. 3.

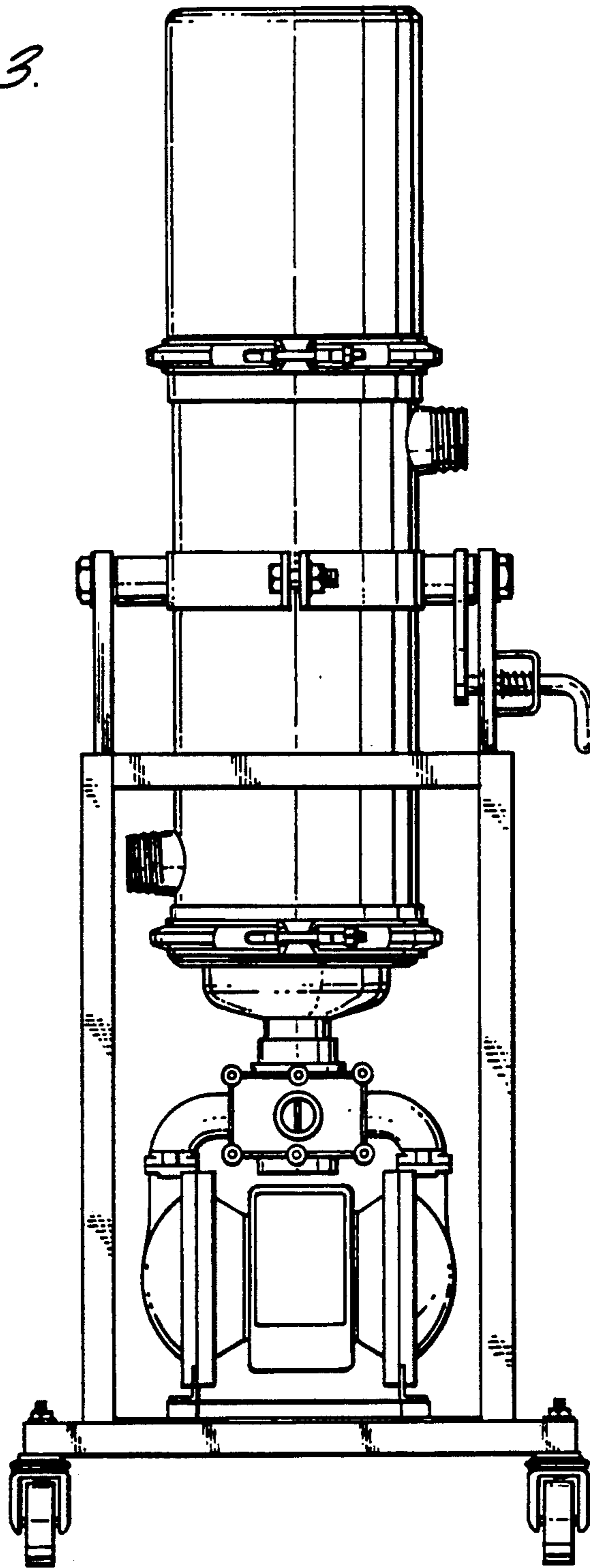


FIG. 4.

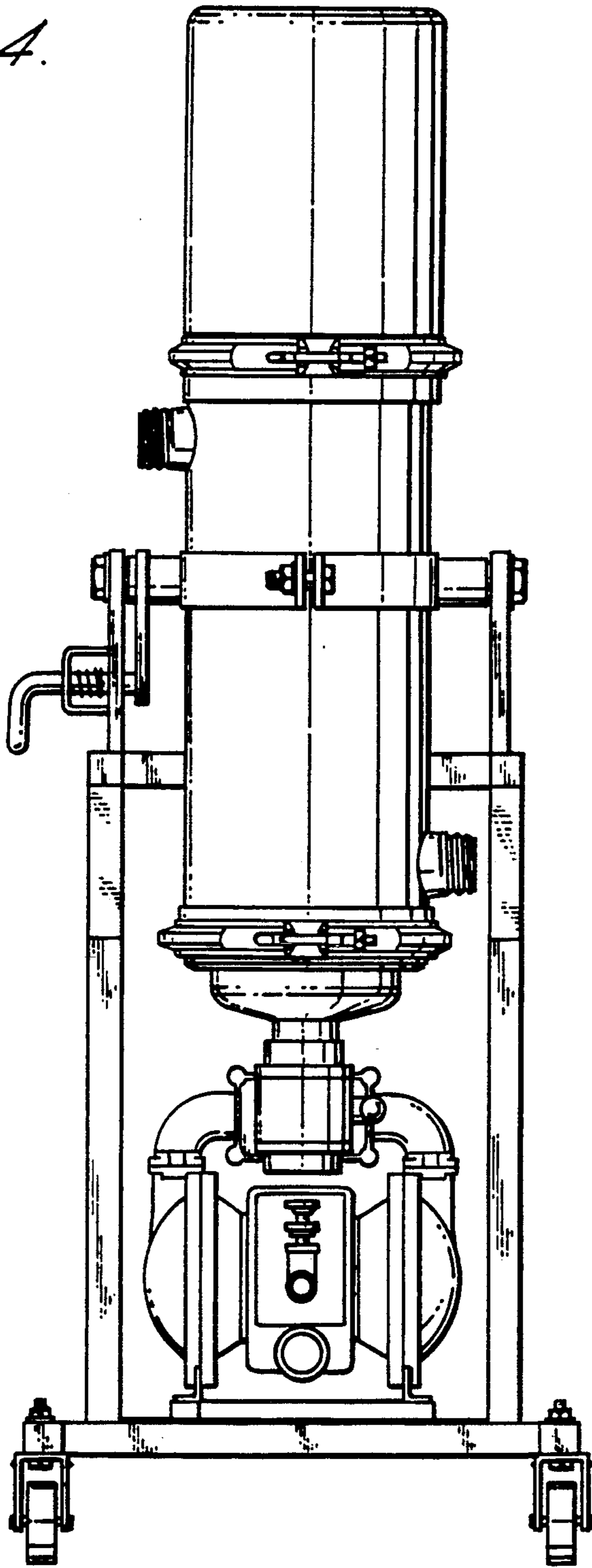


FIG. 5.

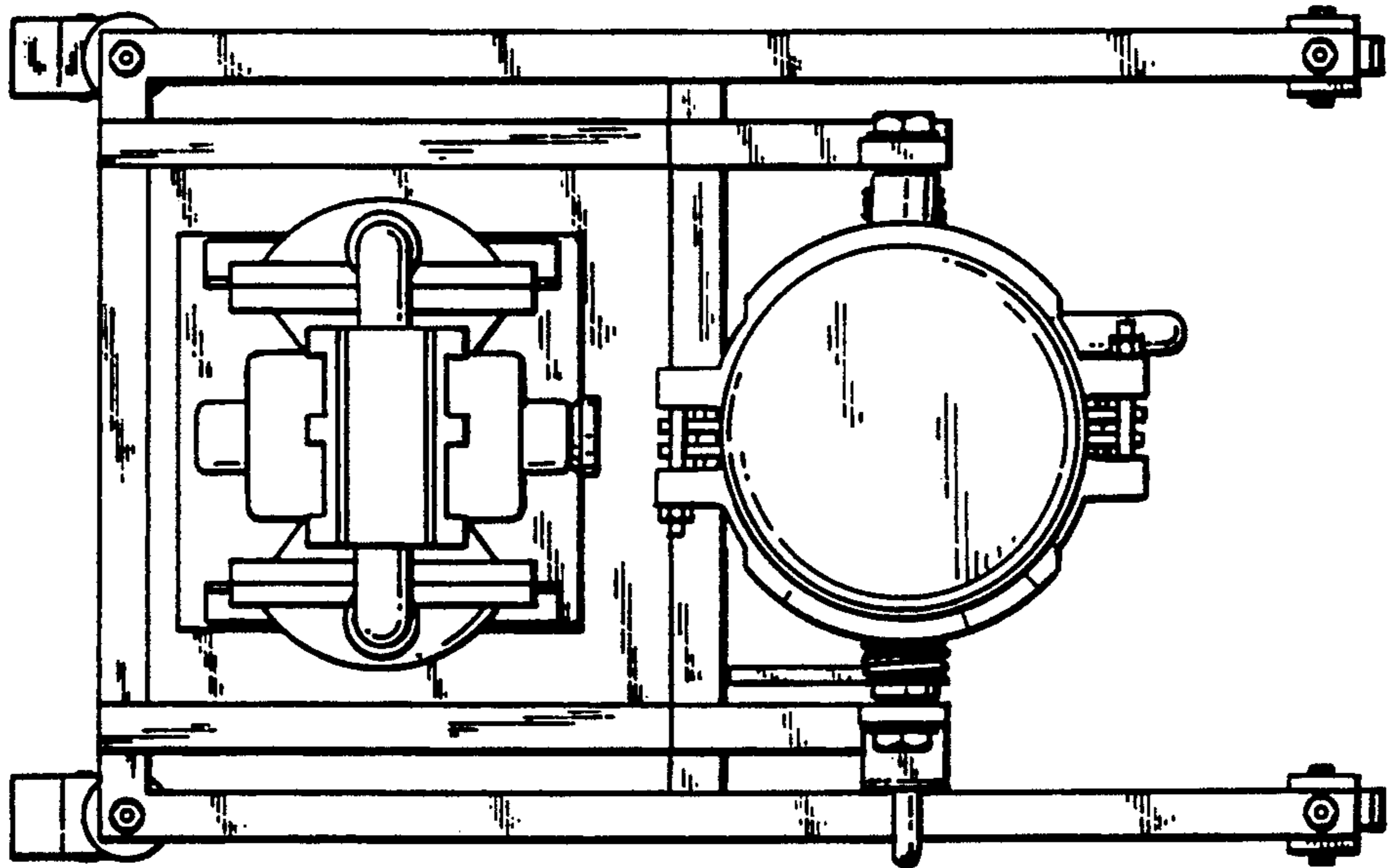


FIG. 6.

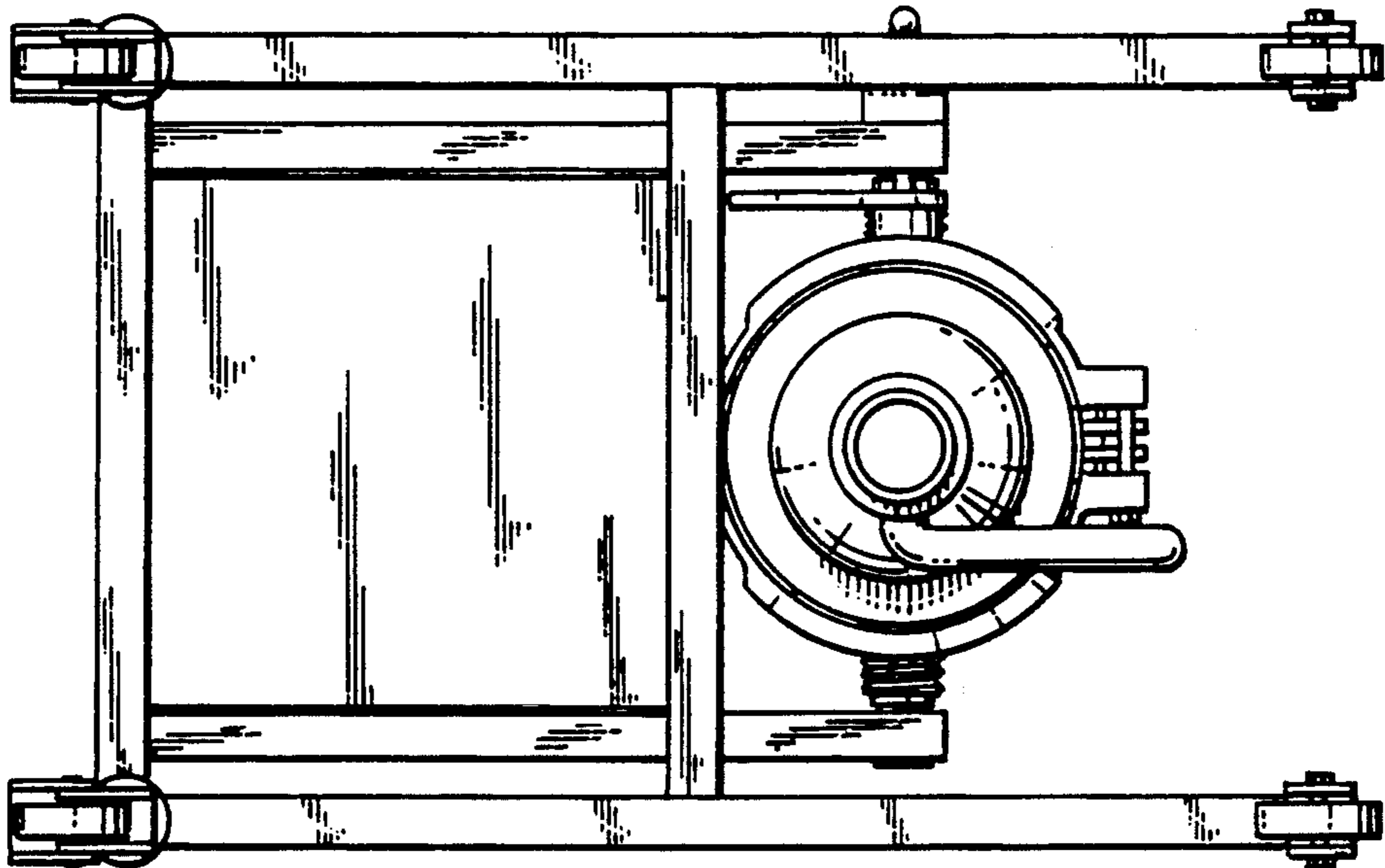


FIG. 7.

