

[54] PIVOTABLE TELEPHONE STAND

[75] Inventor: Balthasar Kirchner, Eferding, Austria

[73] Assignee: Ernst Stadelmann Gesellschaft m.b.H., Eferding, Austria

[\*\*] Term: 14 Years

[21] Appl. No.: 490,131

[22] Filed: Mar. 7, 1990

[30] Foreign Application Priority Data

Sep. 8, 1989 [AT] Austria ..... 27630

[52] U.S. Cl. .... D14/251; D14/252; D14/144; D14/138

[58] Field of Search ..... D14/251, 240, 138; 52/126.6; 379/454, 440, 446, 426, 455; 381/86; D34/31; 248/309.1; 224/42.45, 42.45 R, 42.43, 273; D12/155; 403/157, 153, 159

[56] References Cited

U.S. PATENT DOCUMENTS

- D. 285,789 9/1986 Karlin ..... D14/138
- D. 309,307 7/1990 Sigurdson ..... D14/251
- D. 313,300 12/1990 Robertson ..... D34/31
- D. 314,771 2/1991 Kirchner et al. .... D14/251
- 3,320,366 5/1967 Plummer ..... D14/240 X

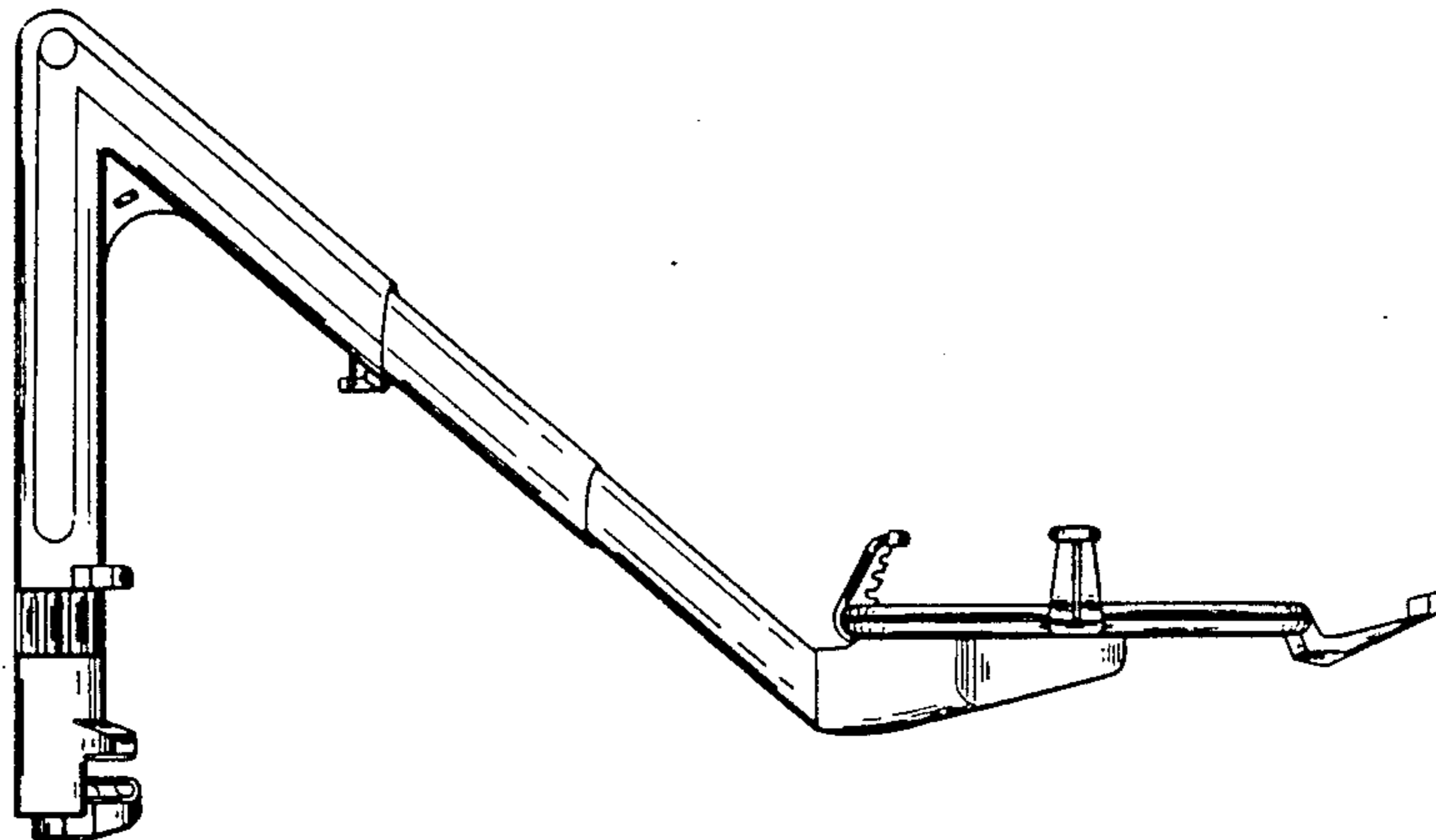
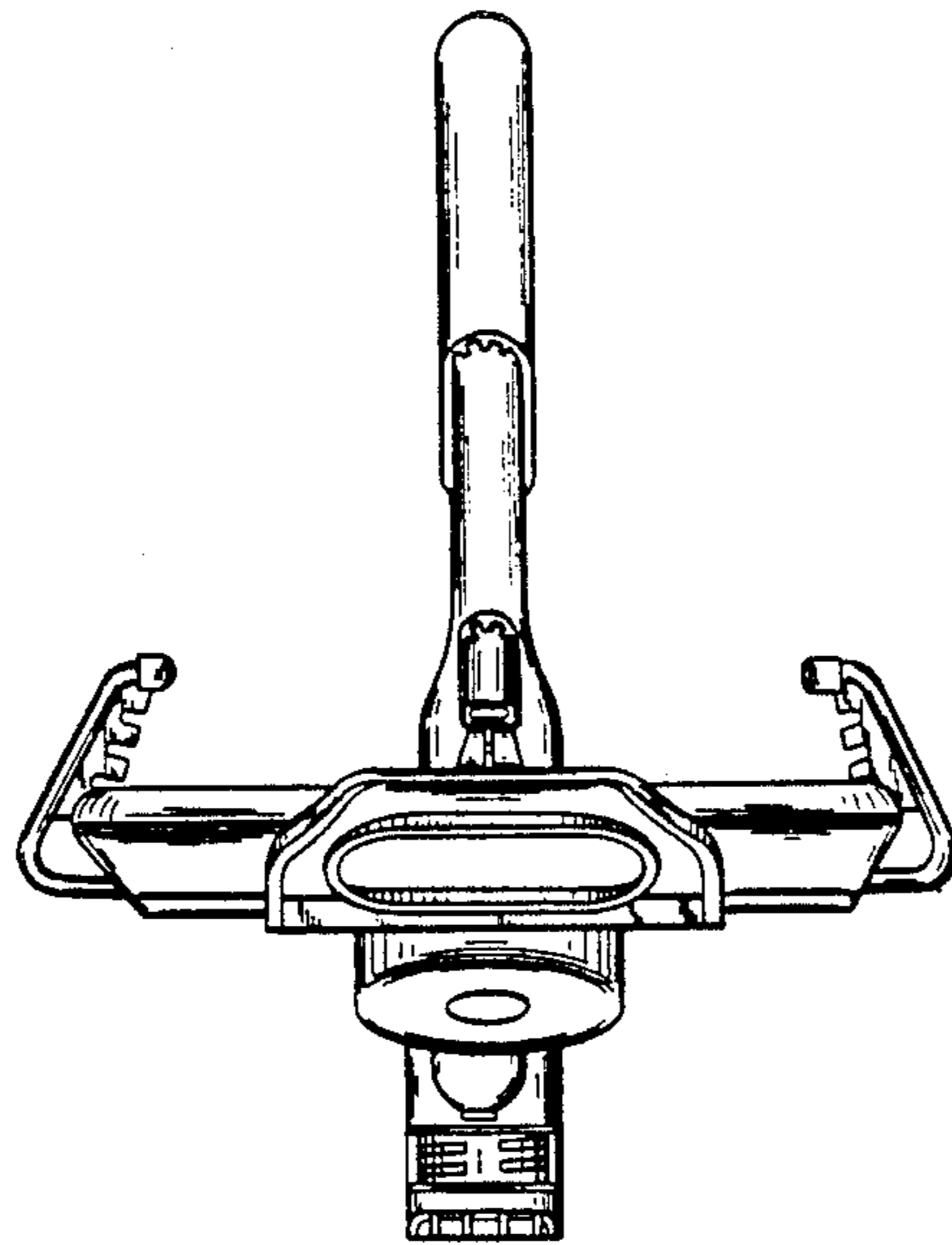
Primary Examiner—Horace B. Fay, Jr.  
Attorney, Agent, or Firm—Herbert Dubno

[57] CLAIM

The ornamental design for a pivotable telephone stand, as shown.

DESCRIPTION

FIG. 1 is a front elevational view of the pivotable telephone stand showing my new design; FIG. 2 is a right-side elevational view thereof; FIG. 3 is a left-side elevational view thereof; FIG. 4 is a rear elevational view thereof; FIG. 5 is a top plan view thereof; and FIG. 6 is a bottom plan view thereof.



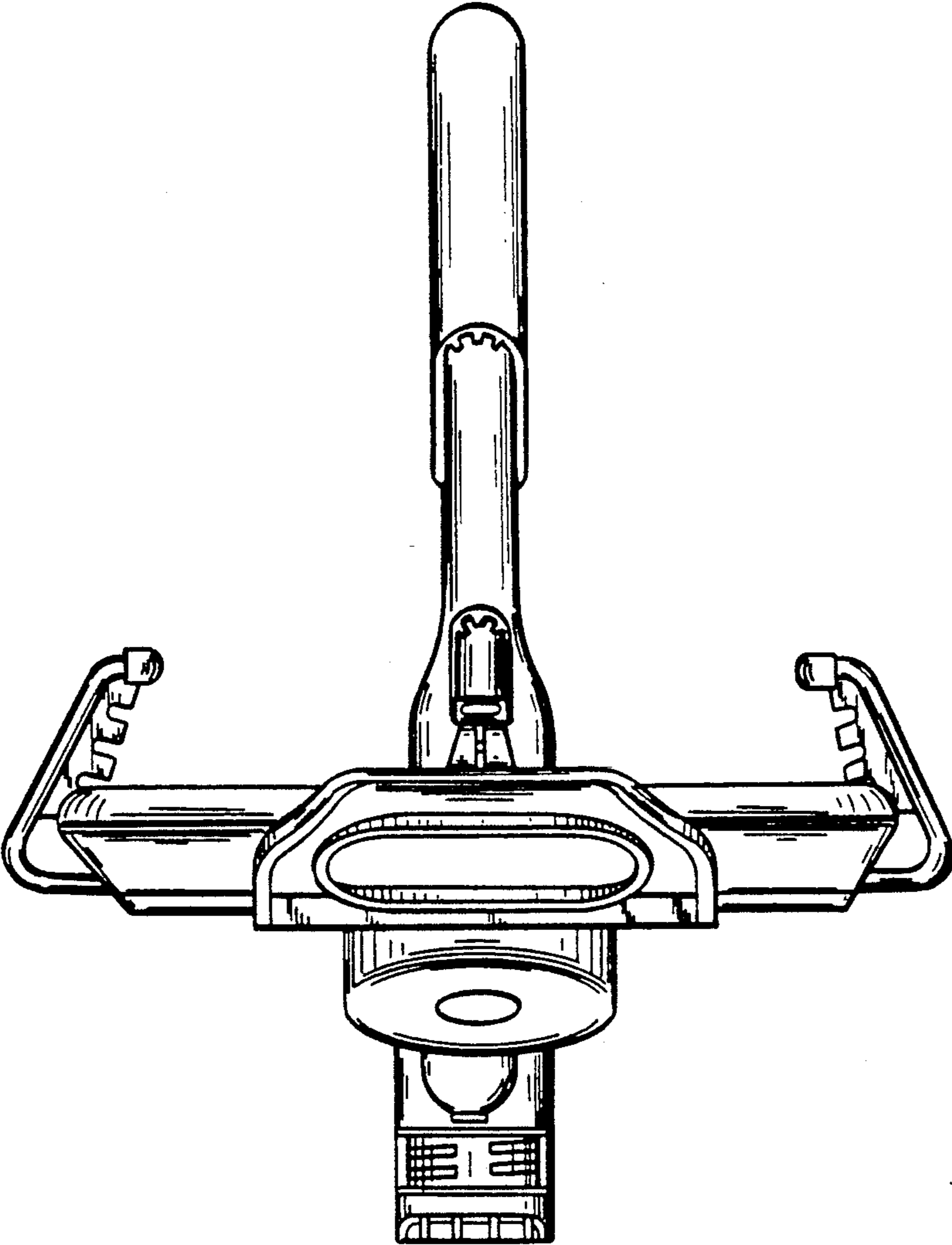


FIG.1

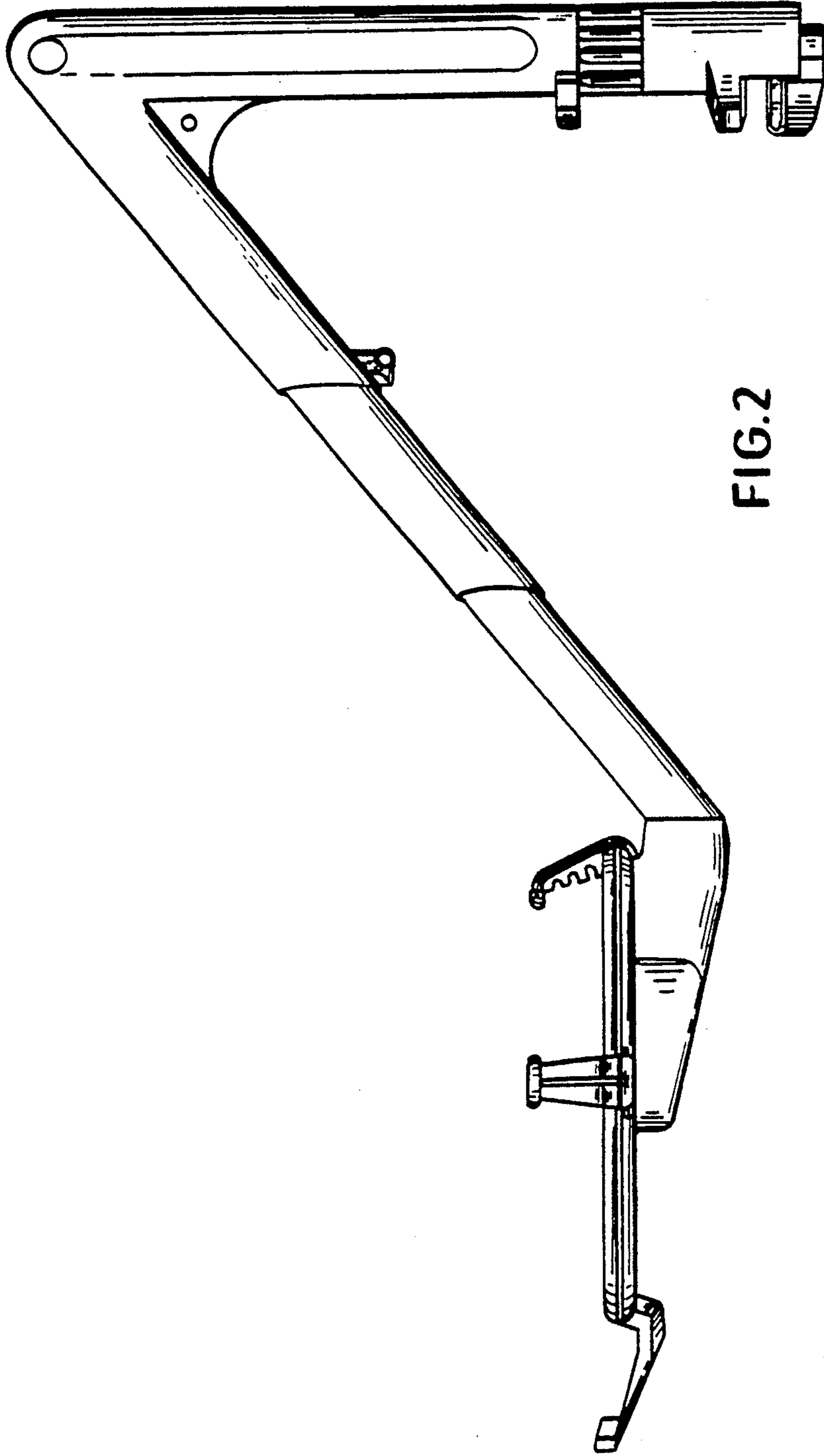


FIG. 2

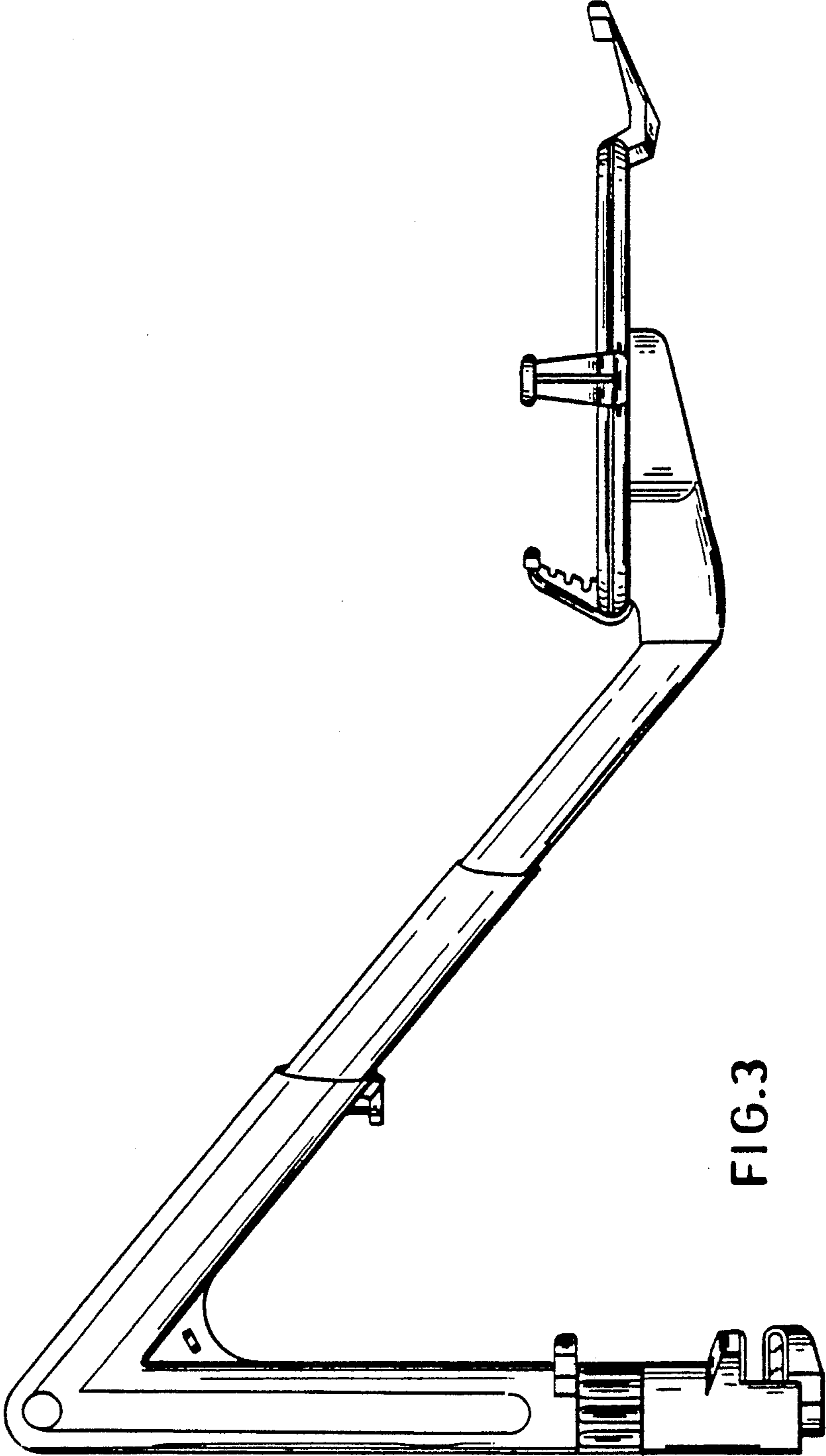


FIG. 3

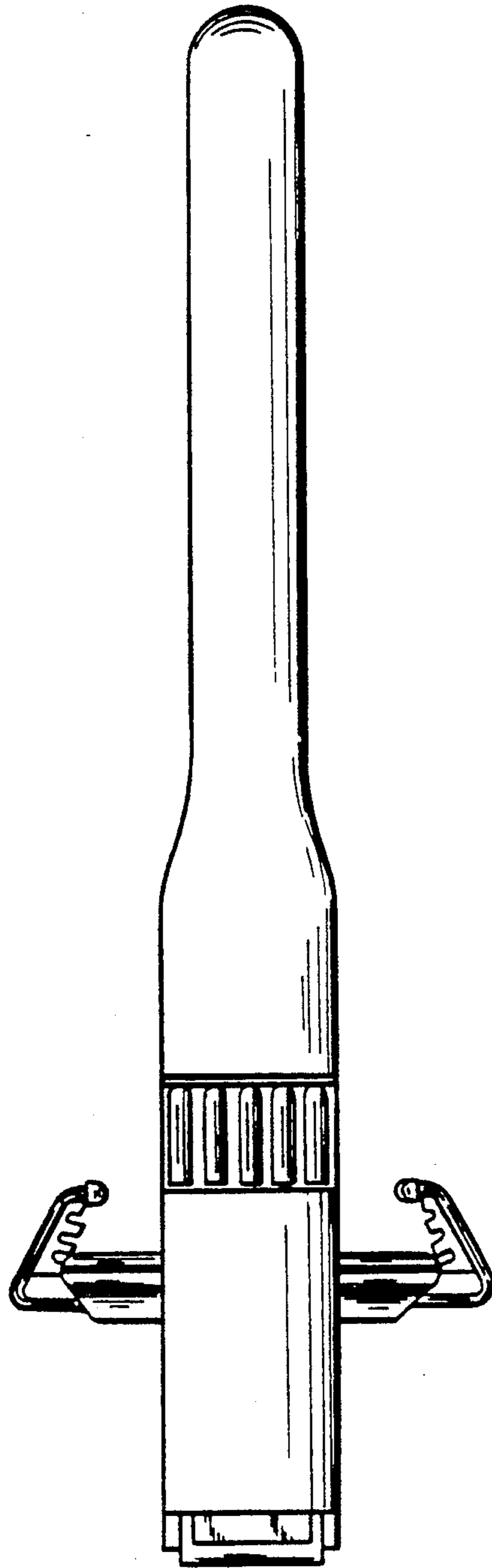


FIG.4

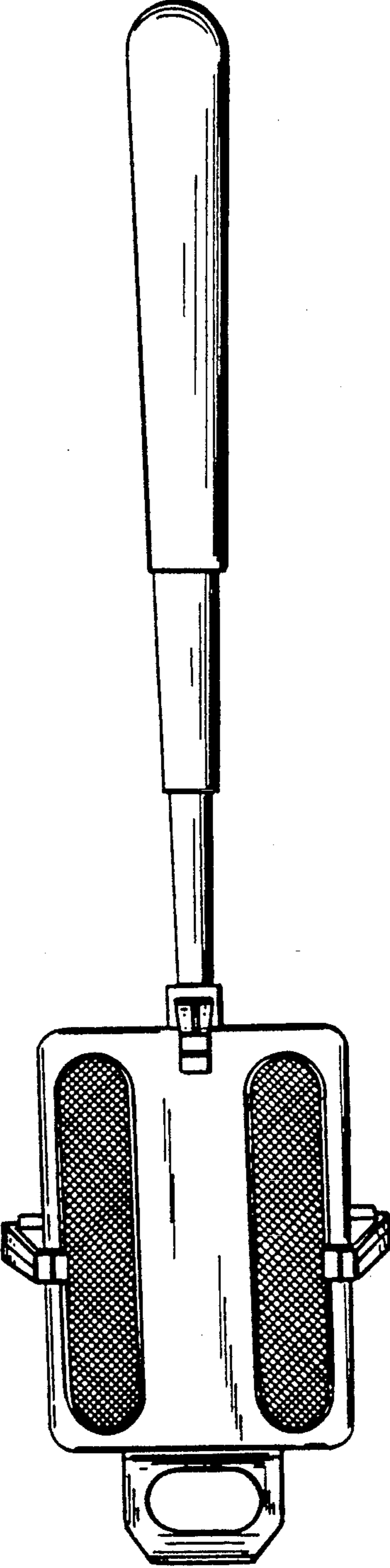


FIG.5

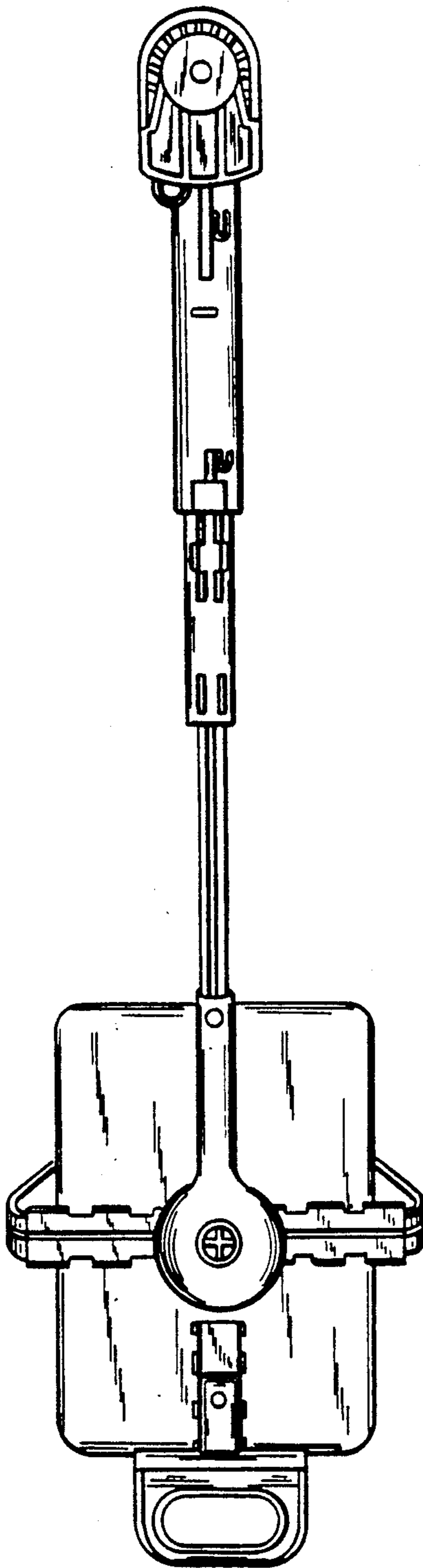


FIG. 6