

[54] HOUSING FOR MAGNETIC STRIP READER OR SIMILAR ARTICLE

[75] Inventors: Volker Diehl, Neuweiler; Günter Kuczewski, Denkendorf, both of Fed. Rep. of Germany

[73] Assignee: International Business Machines Corporation, Armonk, N.Y.

[**] Term: 14 Years

[21] Appl. No.: 302,537

[22] Filed: Jan. 25, 1989

[30] Foreign Application Priority Data

Aug. 20, 1988 [DE] Fed. Rep. of Germany M 88 00 620.4

[52] U.S. Cl. D14/107

[58] Field of Search D14/100, 105, 107, 114, D14/116; D18/7; 235/380, 441, 454, 462, 470-475, 479, 482, 487, 455; 250/203.1, 566, 568, 569, 239; 358/408, 407, 473, 474, 479; 354/80-82; 355/231, 233; 382/58, 59, 62, 63, 65

[56] References Cited

U.S. PATENT DOCUMENTS

| | | | |
|------------|---------|---------------------|-----------|
| D. 237,195 | 10/1975 | Kitai | D18/7 |
| D. 307,433 | 4/1990 | White | D14/100 X |
| D. 310,069 | 8/1990 | Leone et al. | D14/100 |
| D. 313,012 | 12/1990 | Pataki et al. | D14/100 |
| 4,475,239 | 10/1984 | Van Raamsdonk | 382/59 X |
| 4,771,475 | 9/1988 | Kimura | 382/59 |

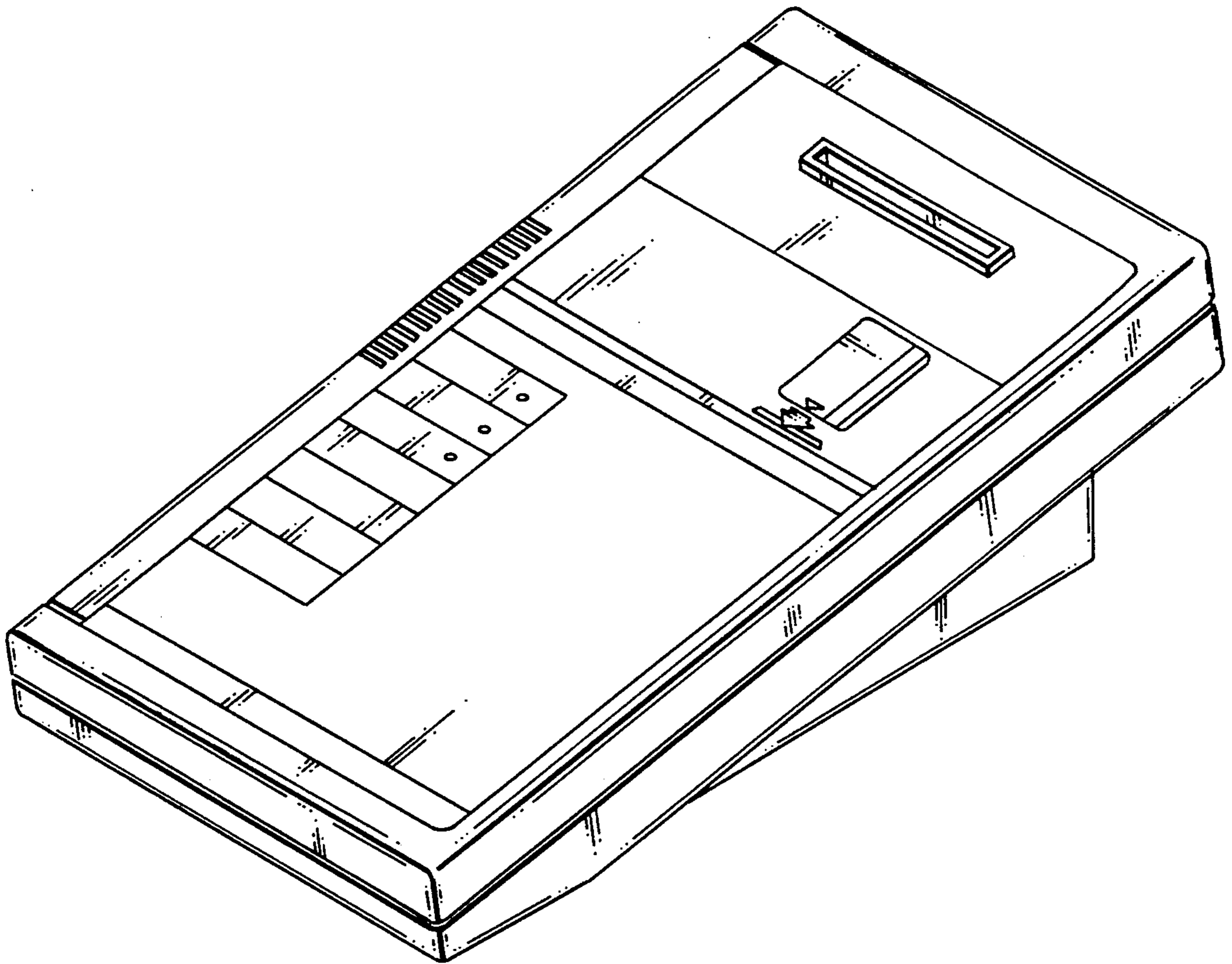
Primary Examiner—Susan J. Lucas
Assistant Examiner—Freda S. Nunn
Attorney, Agent, or Firm—H. St. Julian

[57] CLAIM

The ornamental design for a housing for magnetic strip reader or similar article, as shown and described.

DESCRIPTION

FIG. 1 is a front elevational view of a housing for magnetic strip reader or similar article showing our new design;
FIG. 2 is a top plan view thereof;
FIG. 3 is a bottom plan view thereof;
FIG. 4 is a right side elevational view thereof;
FIG. 5 is a left side elevational view thereof;
FIG. 6 is a rear elevational view thereof;
FIG. 7 is a top front right side perspective view thereof on a reduced scale.



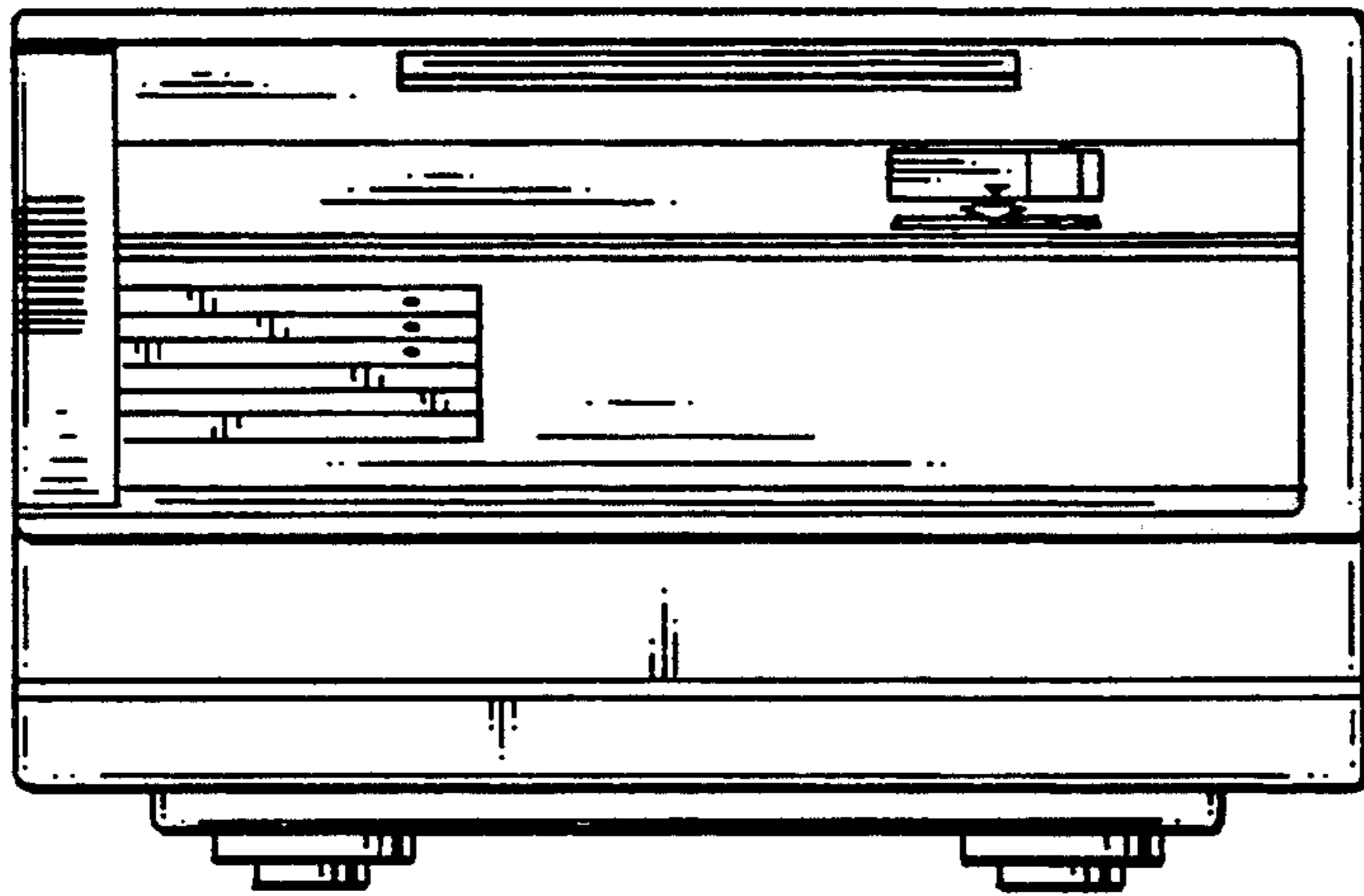


FIG. 1

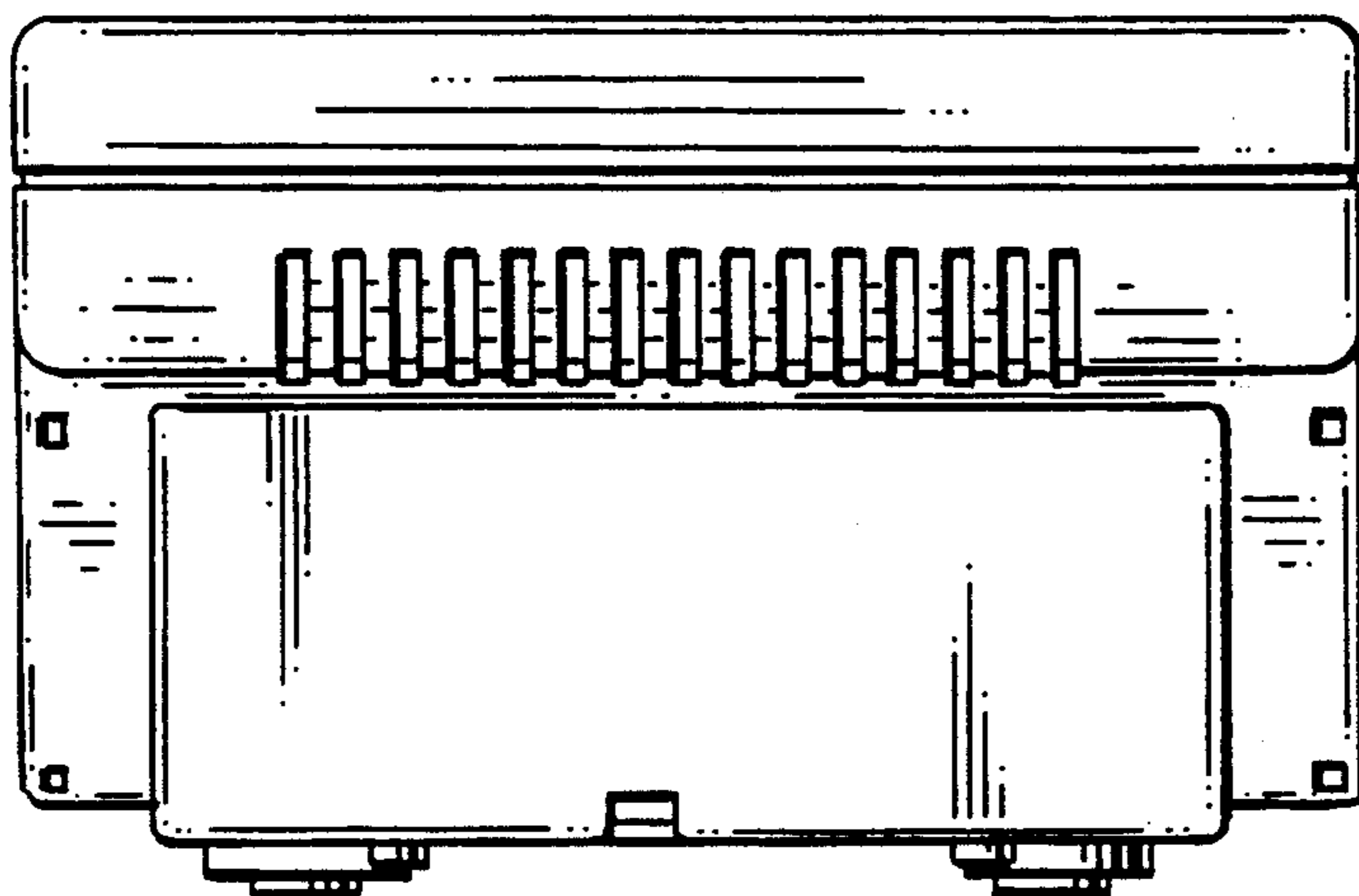


FIG. 6

FIG. 2

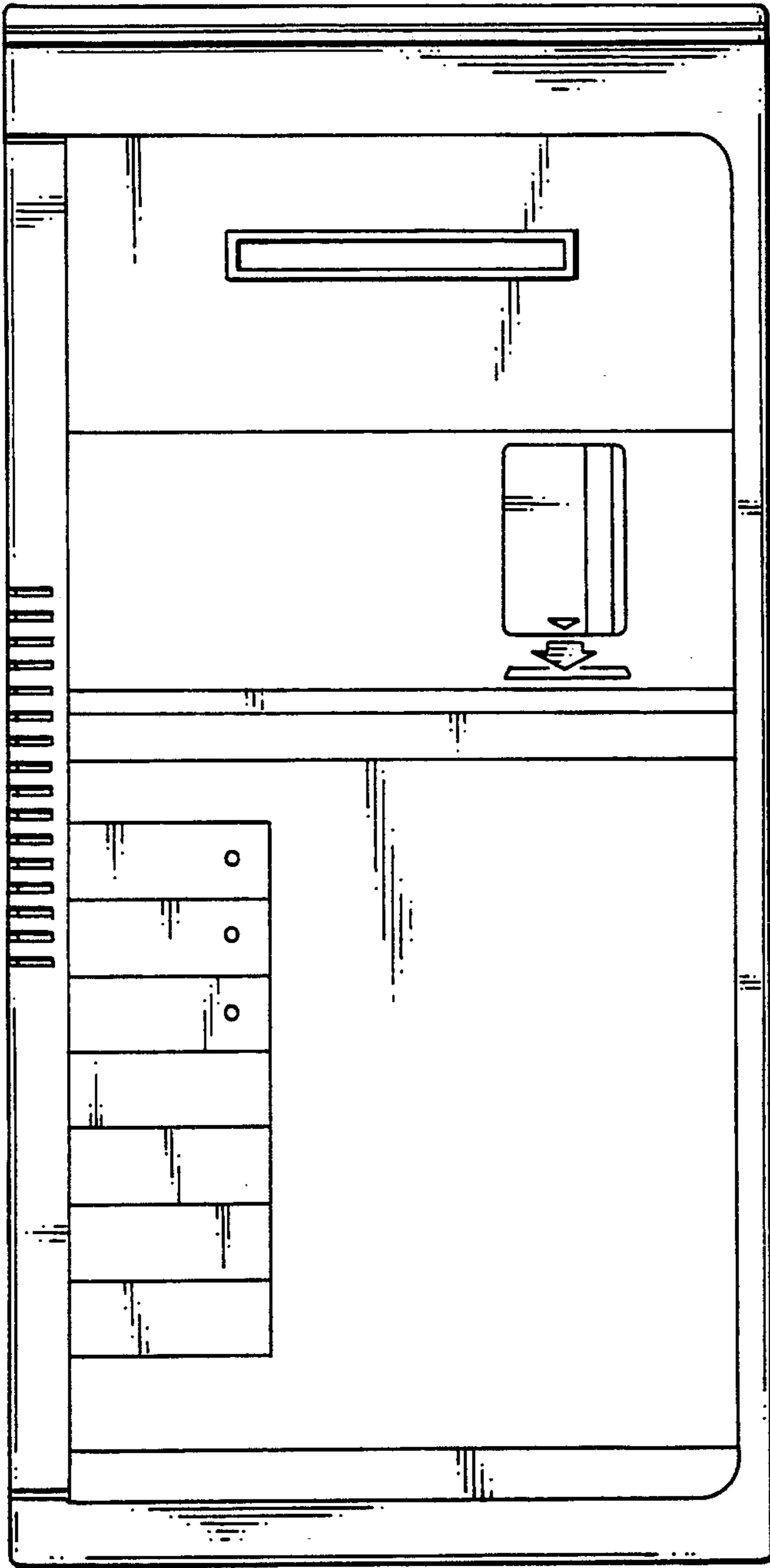


FIG. 4

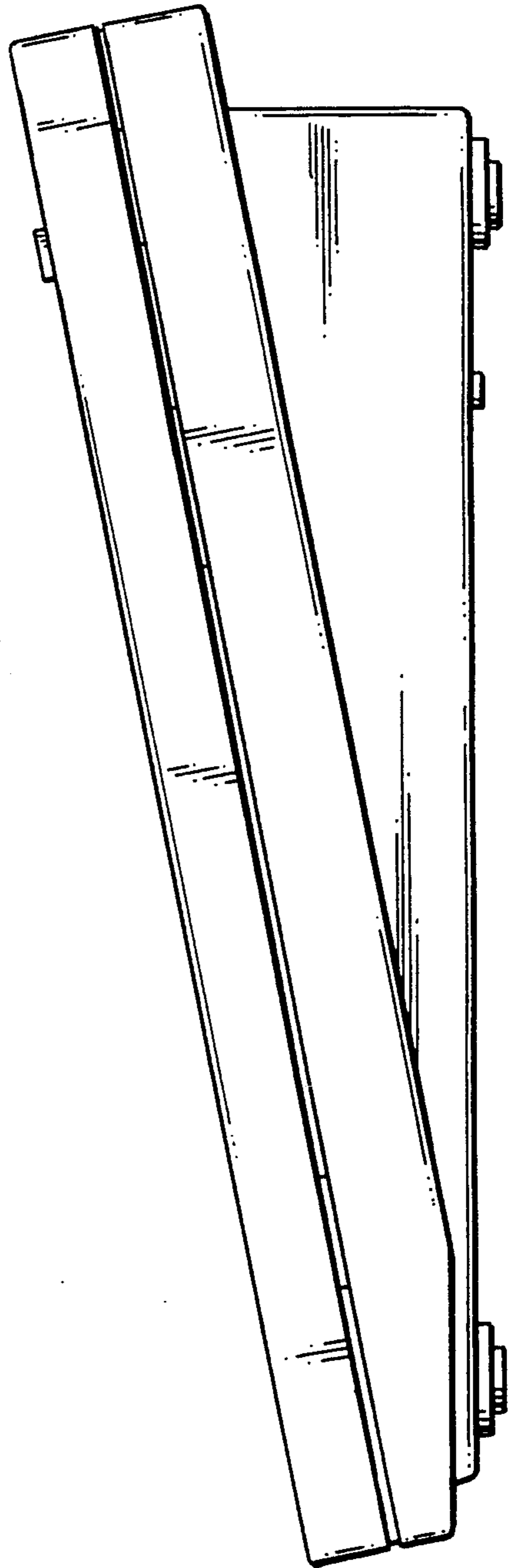


FIG. 3

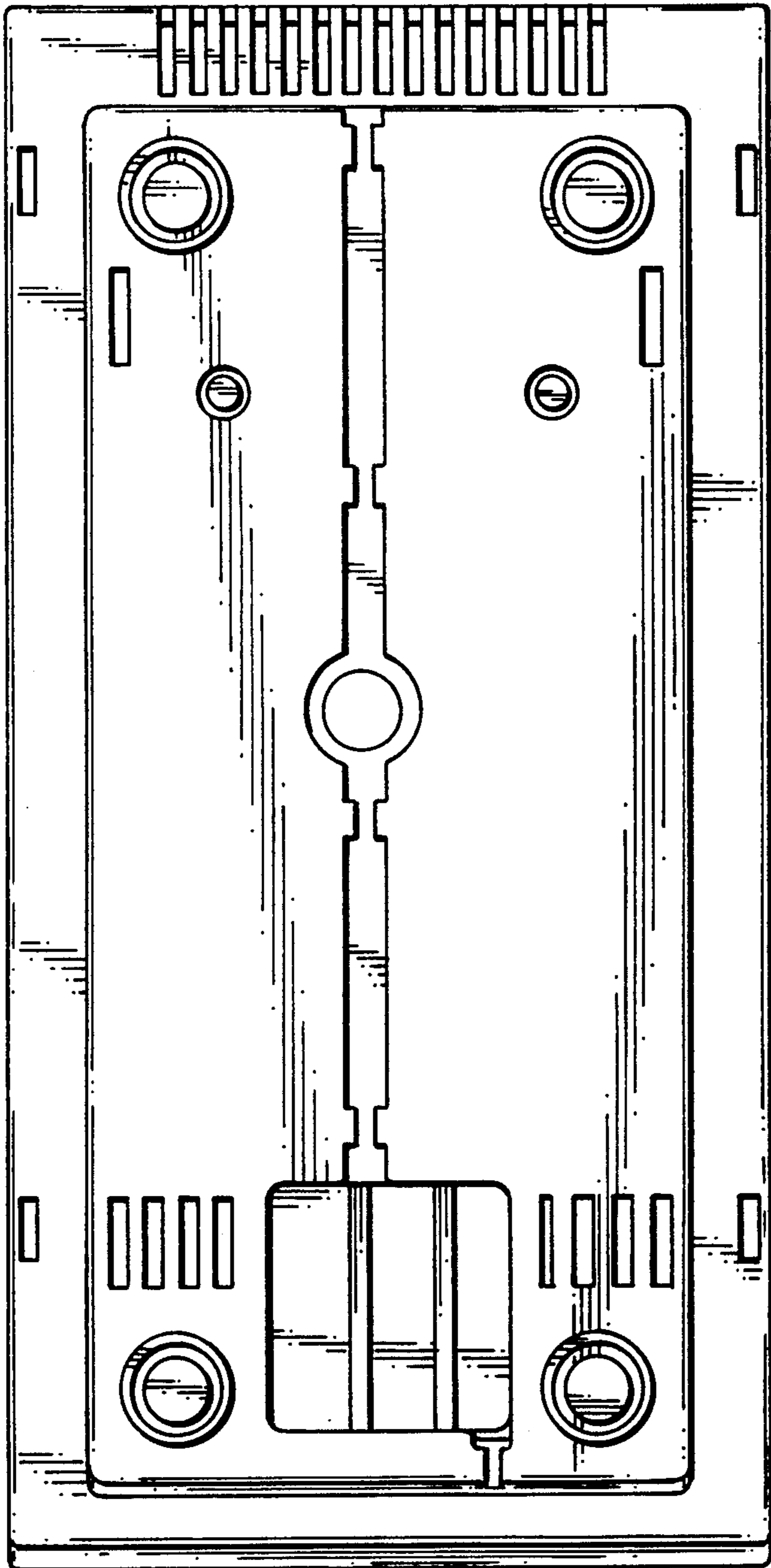
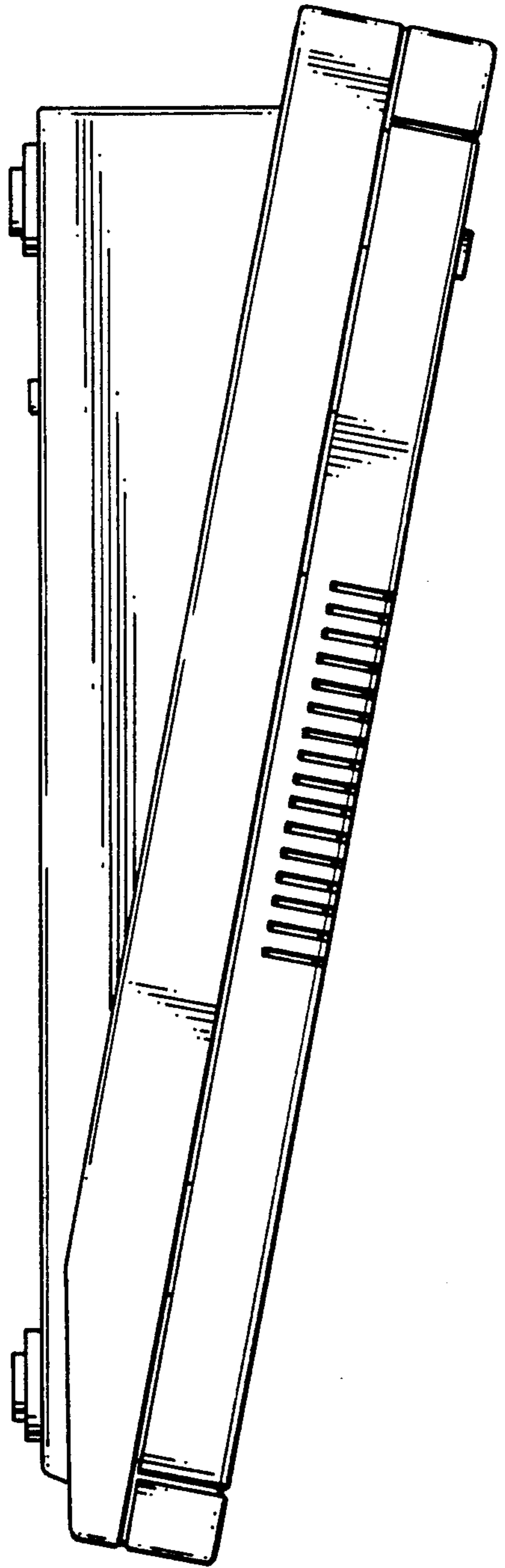


FIG. 5



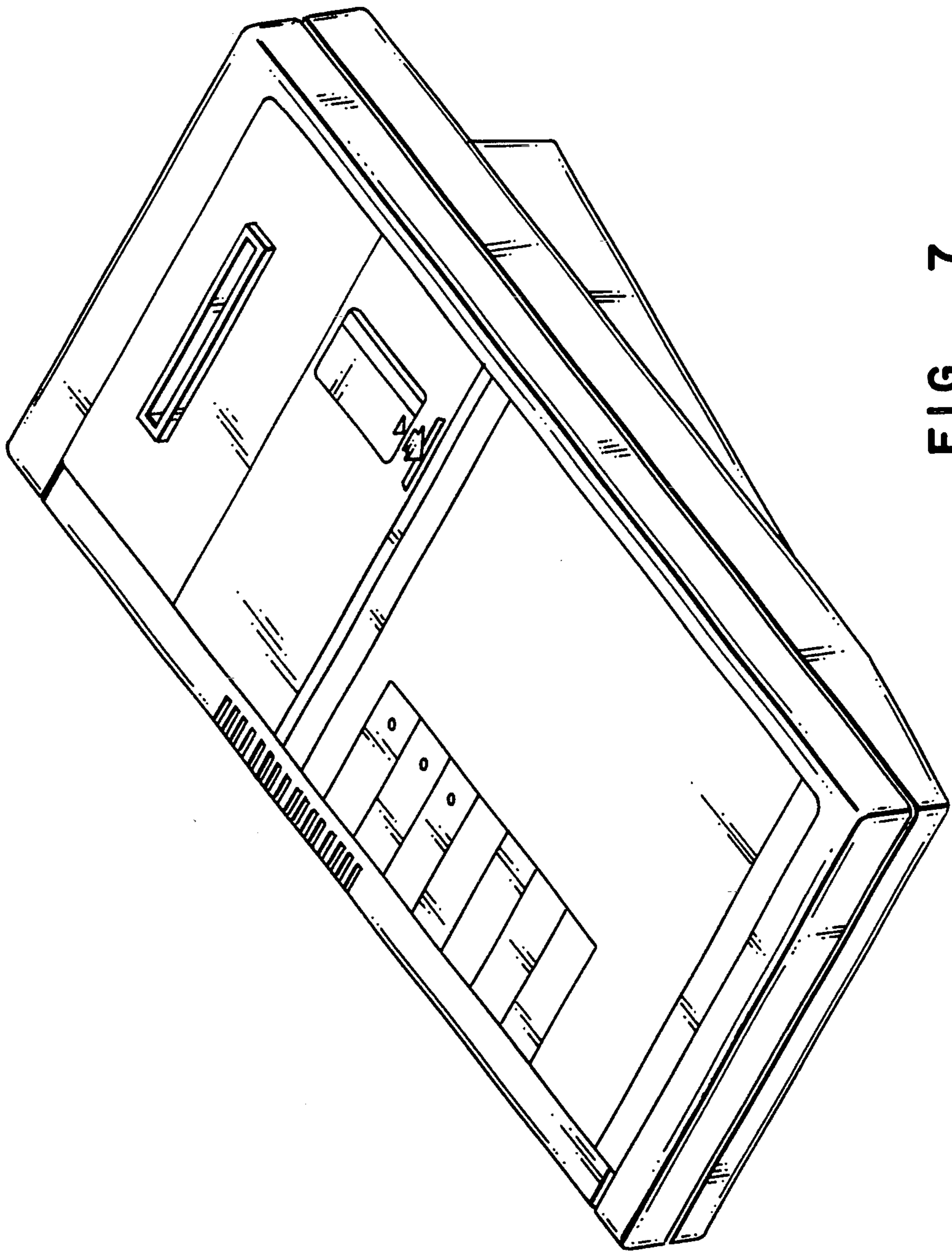


FIG. 7