

[54] DATA INPUT/OUTPUT TERMINAL FOR MONITORING PATIENTS

[75] Inventor: Dino M. Savio, Clearwater, Fla.

[73] Assignee: International Business Machines Corporation, Armonk, N.Y.

[**] Term: 14 Years

[21] Appl. No.: 271,480

[22] Filed: Nov. 15, 1988

[52] U.S. Cl. D14/100; D14/102; D24/186

[58] Field of Search D14/100, 102, 103, 104, D14/105, 106, 113, 115; D13/40, 41; 235/145 A, 145 R; 312/208; 340/700, 706, 711, 712; 358/249, 254; 364/706-710; D24/1.1, 17

[56] References Cited

U.S. PATENT DOCUMENTS

D. 269,372	6/1983	Reis et al.	D24/1.1 X
D. 277,856	3/1985	Lewellen	D14/103
D. 284,194	6/1986	Golden et al.	D14/103
D. 304,576	11/1989	Vissiere	D14/100 X
4,625,731	12/1986	Quedens et al.	358/249 X
4,715,385	12/1987	Cudahy et al.	364/708 X

Primary Examiner—Wallace R. Burke

Assistant Examiner—Freda S. Nunn
Attorney, Agent, or Firm—John C. Smith

[57] CLAIM

The ornamental design for a data input/output terminal for monitoring patients, as shown and described.

DESCRIPTION

FIG. 1 is a top, front, right side perspective view of a data input/output terminal for monitoring patients showing my new design;

FIG. 2 is a front elevational view thereof on a reduced scale;

FIG. 3 is a rear elevational view thereof on a reduced scale;

FIG. 4 is a right side elevational view thereof on a reduced scale;

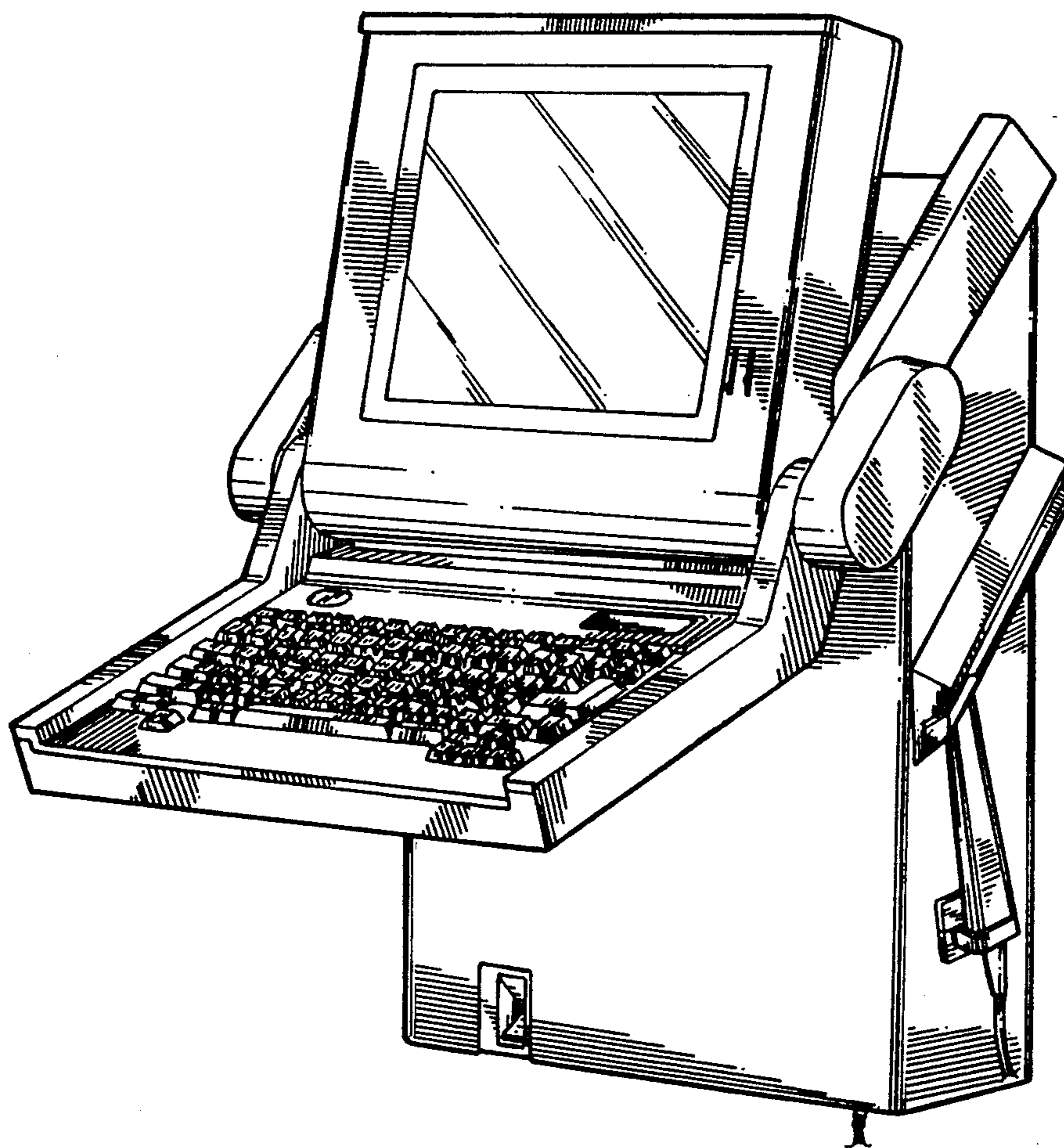
FIG. 5 is a left side elevational view thereof on a reduced scale;

FIG. 6 is a top plan view thereof on a reduced scale;

FIG. 7 is a bottom plan view thereof on a reduced scale;

FIG. 10 is a left side perspective view on an enlarged scale showing the diskette drive with the protective door open.

The rear surface of the display panel and the inclined top surface of the housing which are visible in the open position as shown in FIG. 8 are flat and plain.



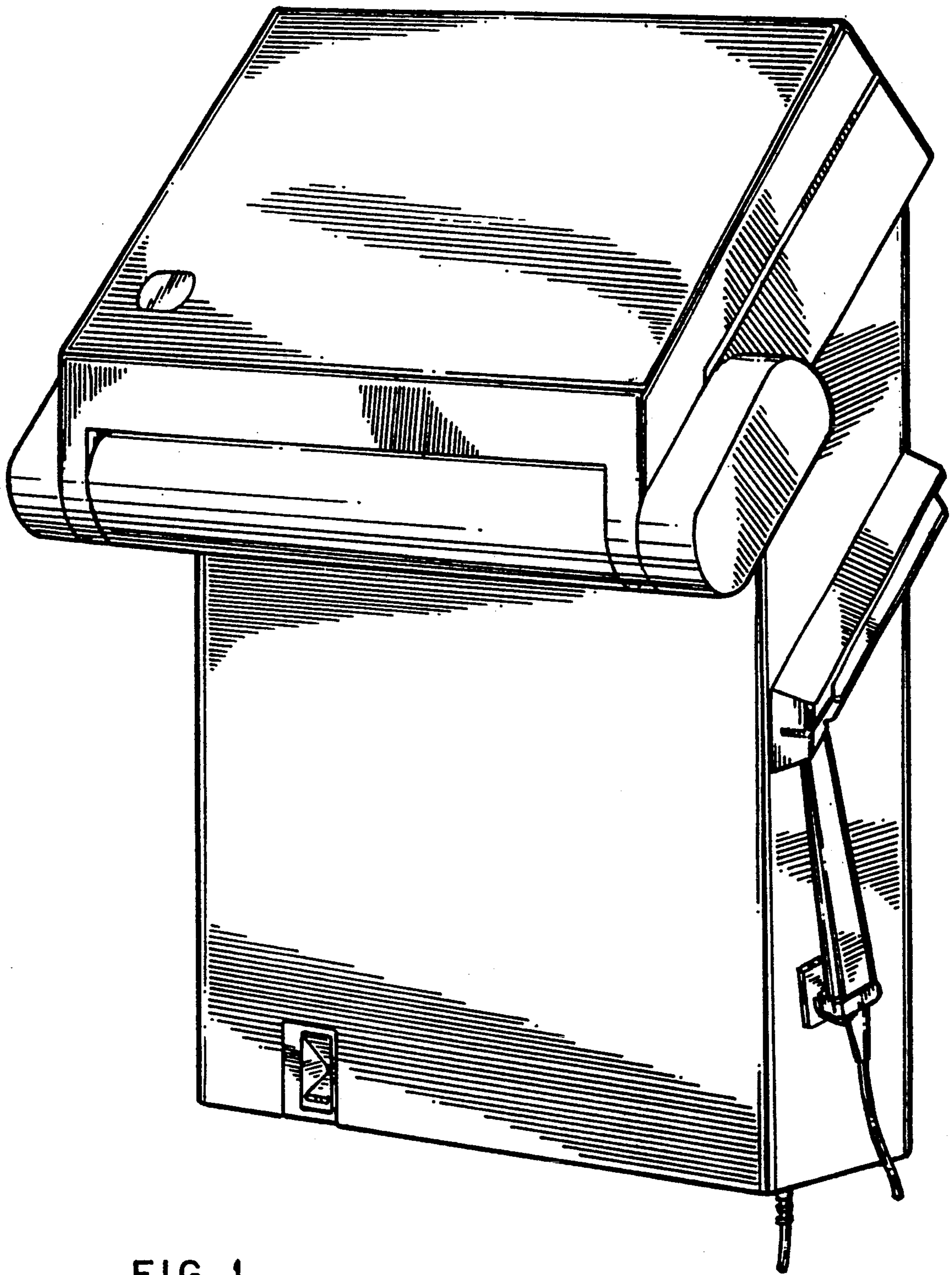


FIG. 1

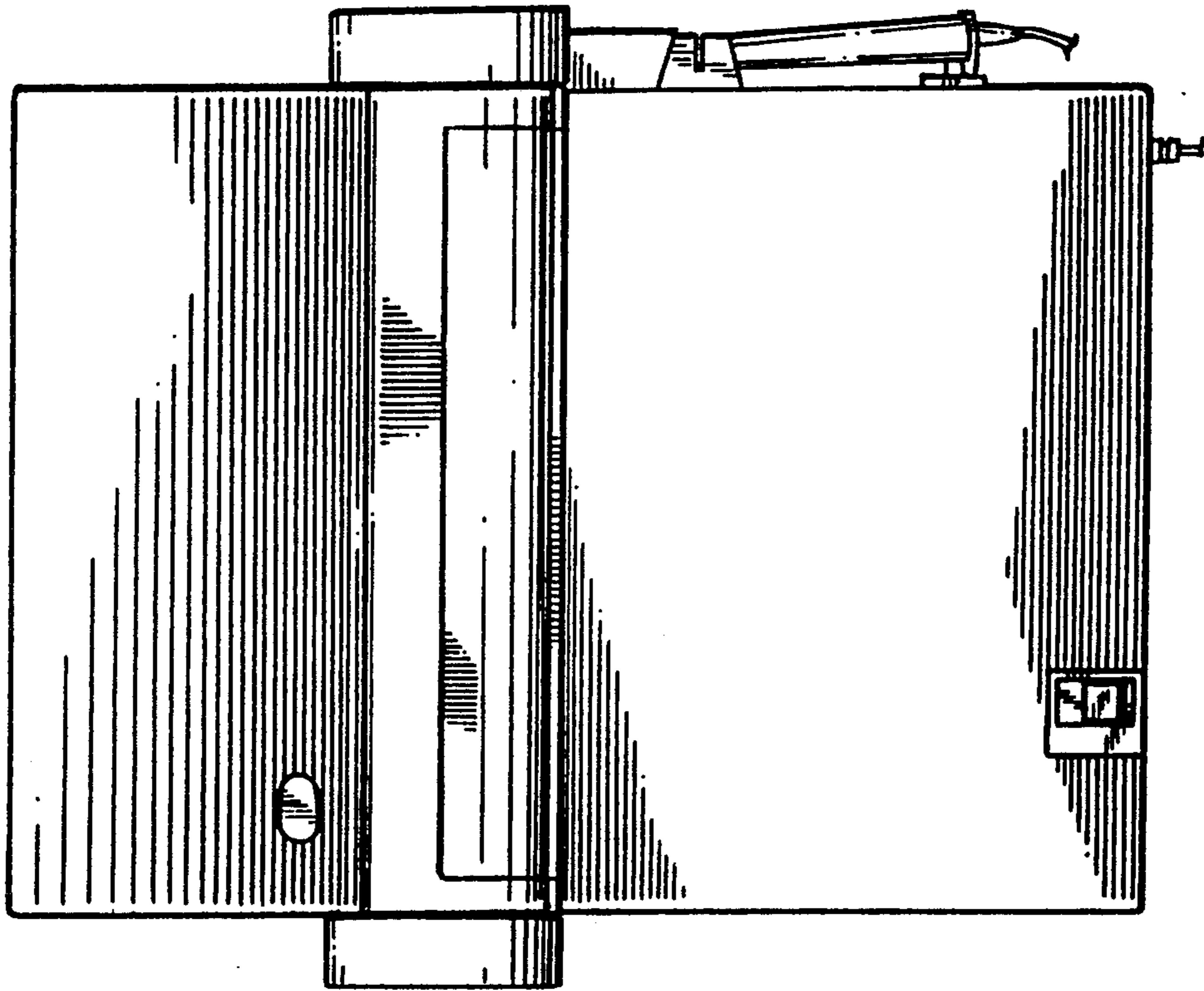


FIG. 2

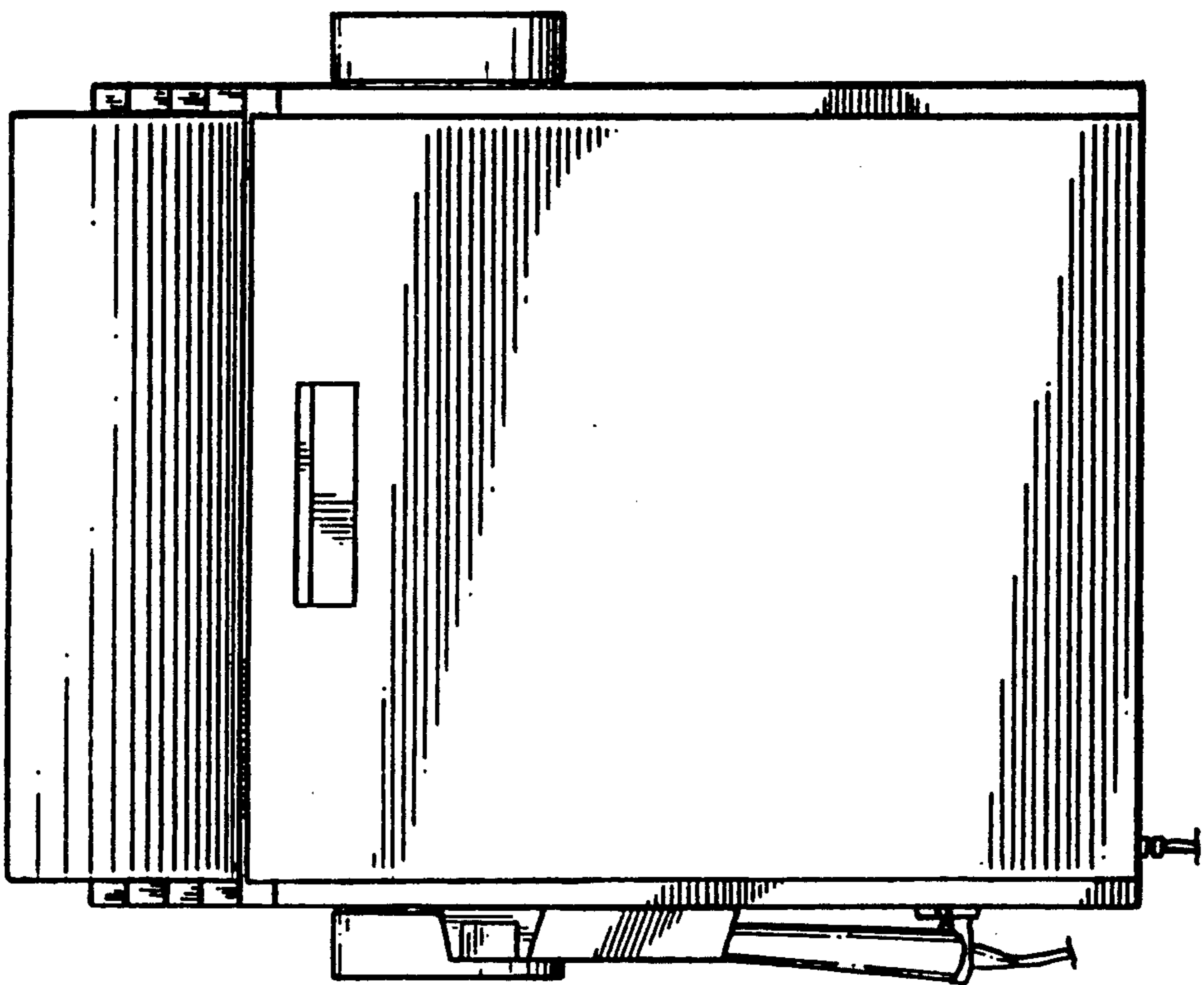


FIG. 3

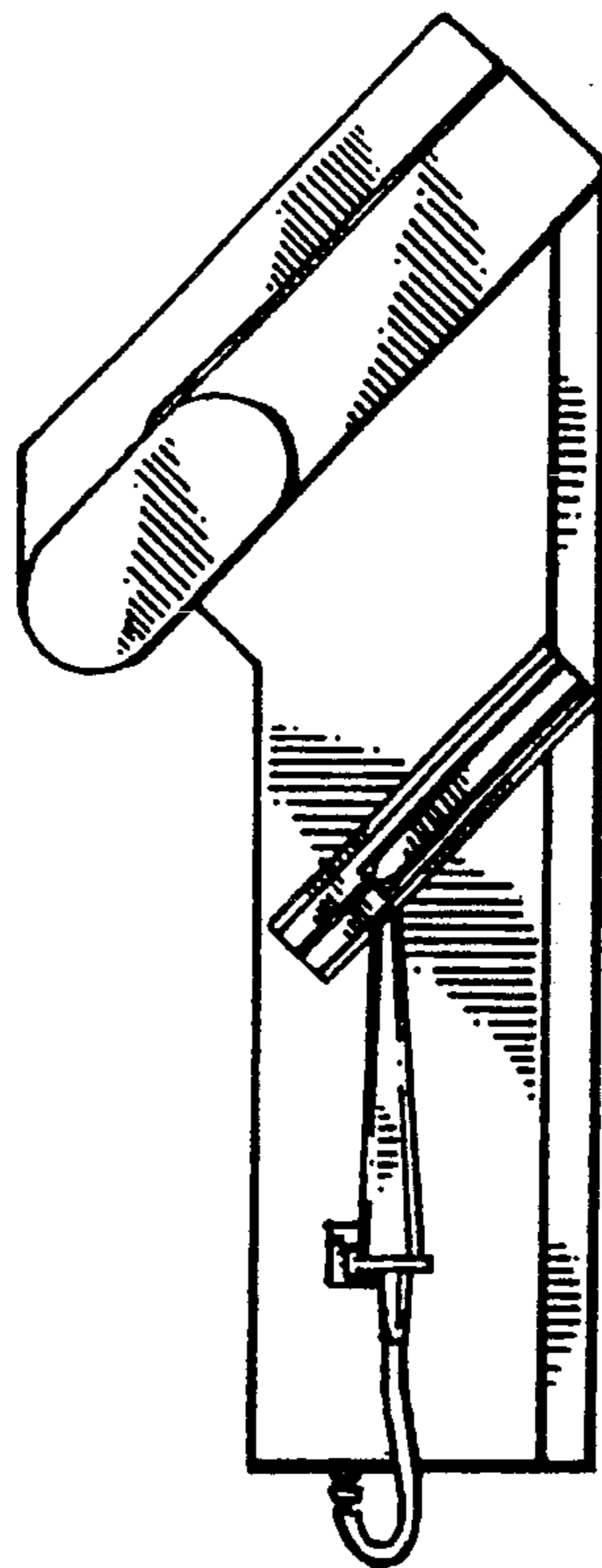


FIG. 4

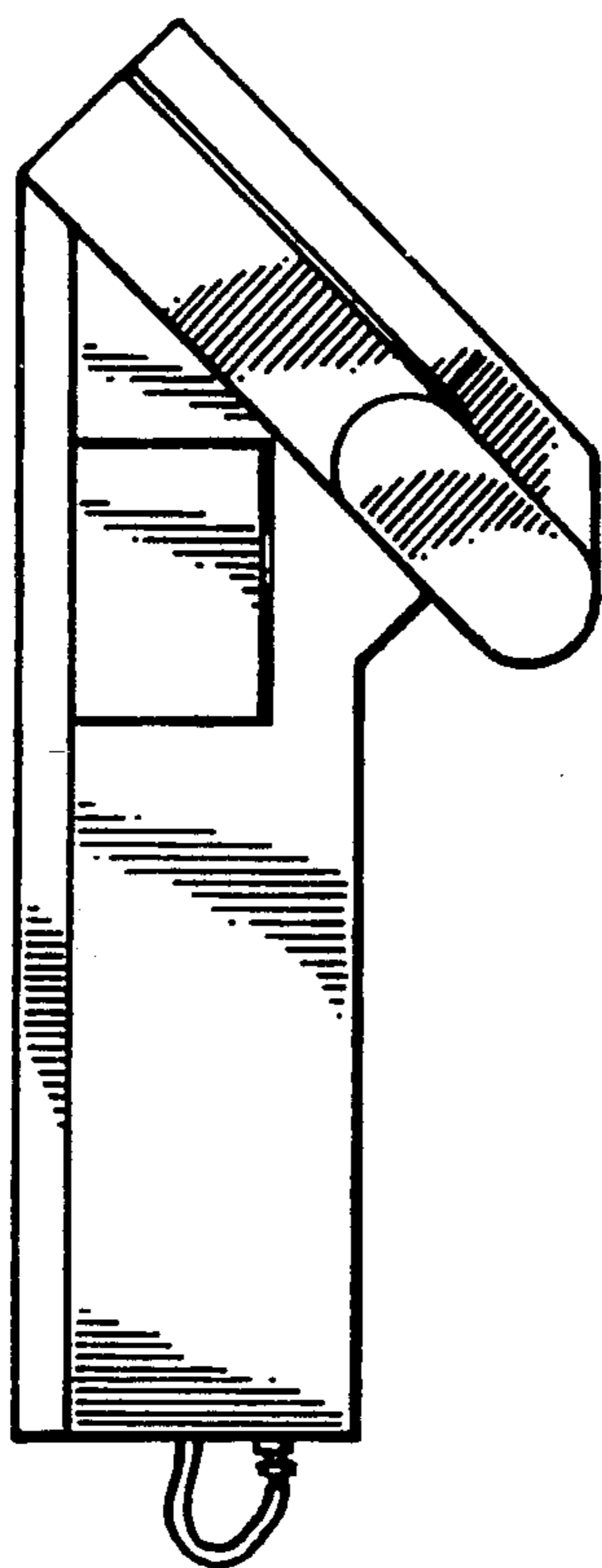


FIG. 5

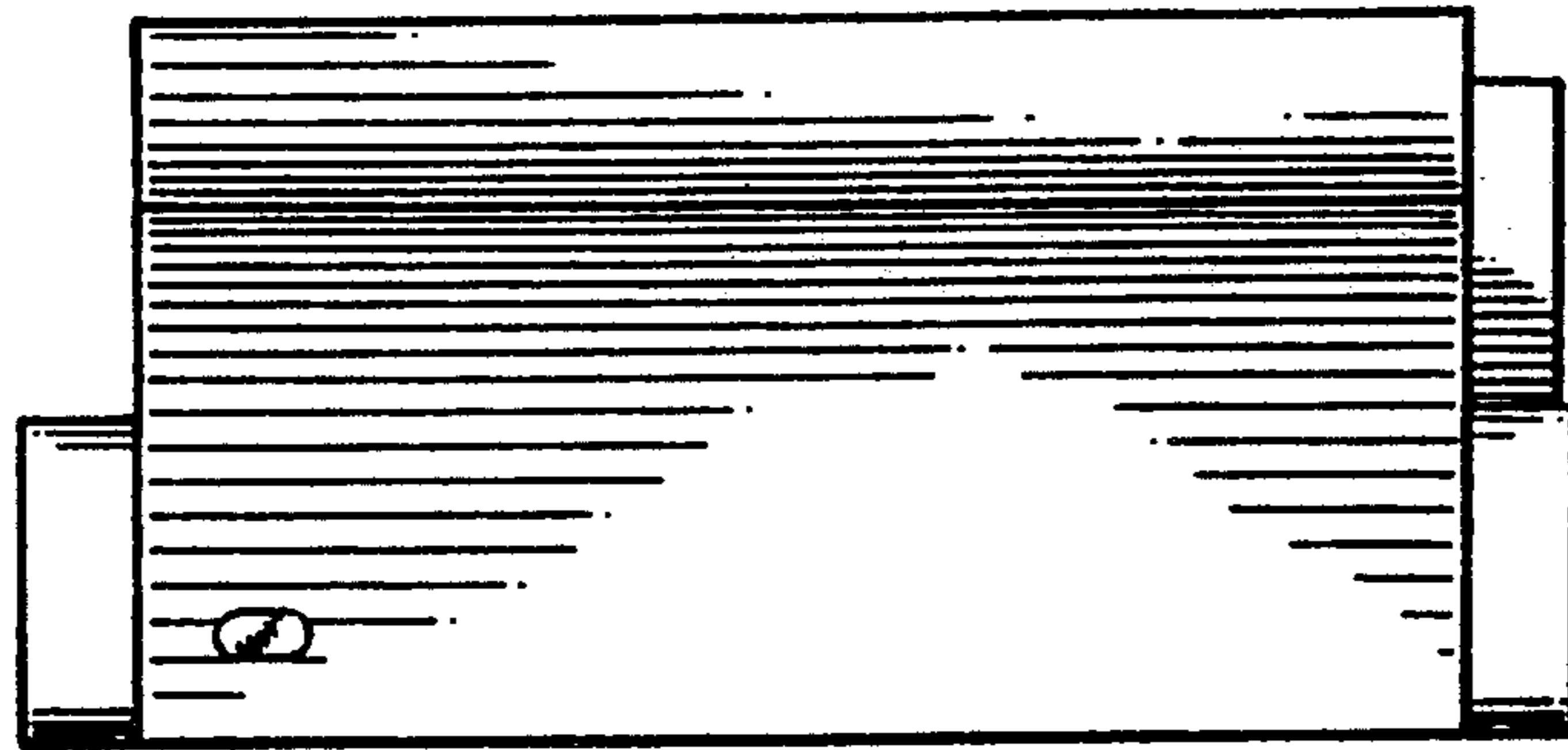


FIG. 6

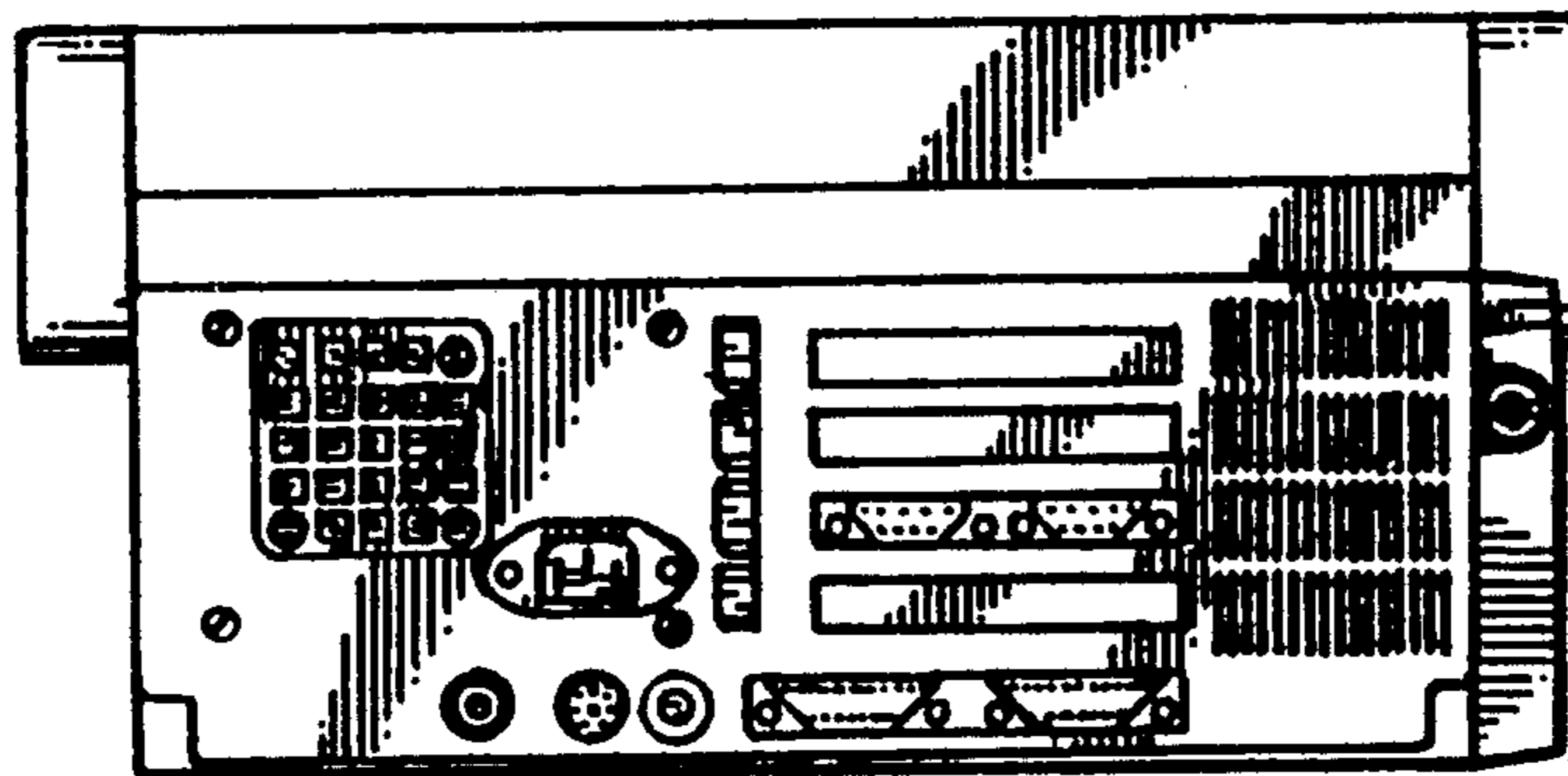


FIG. 7

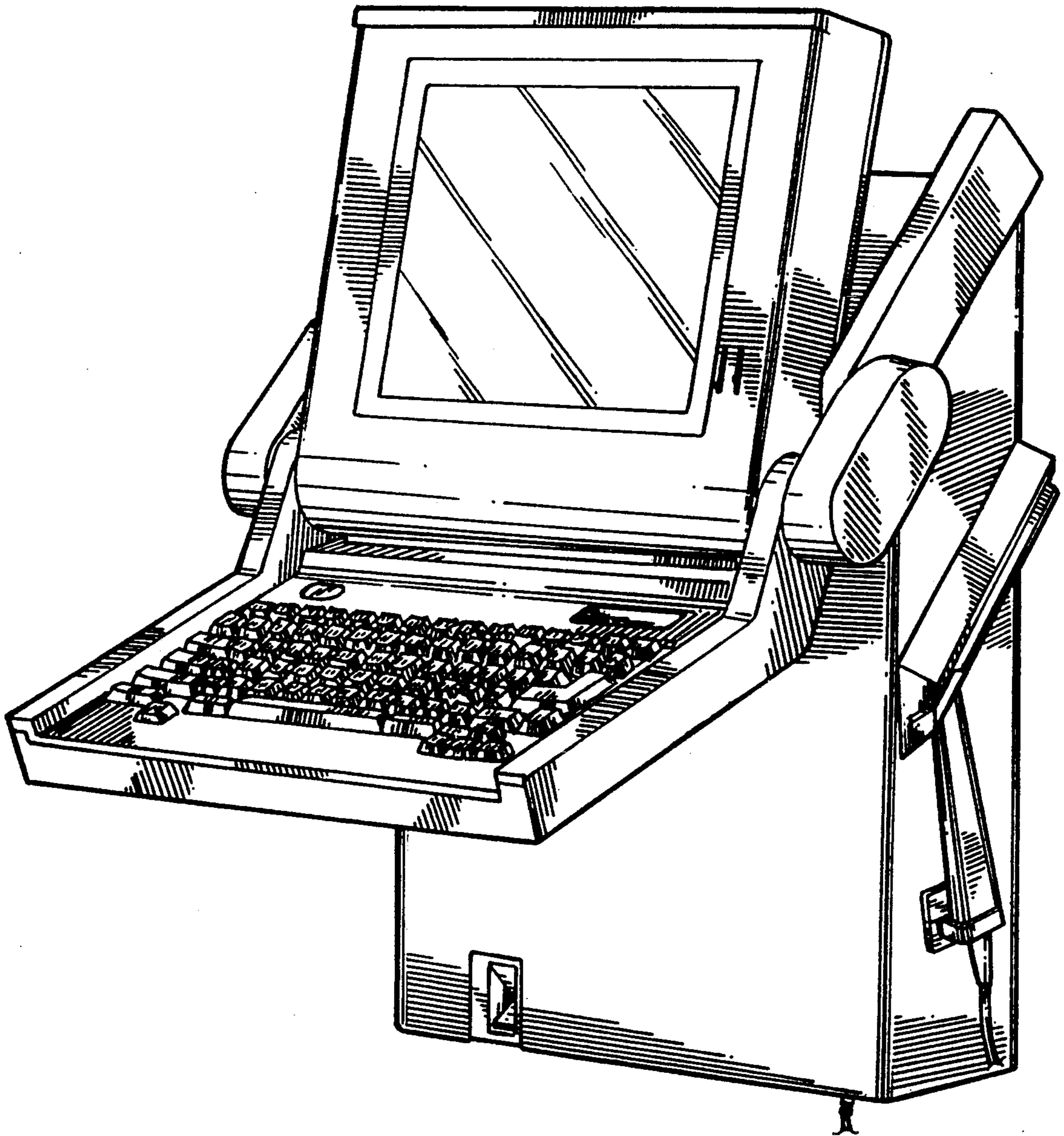


FIG. 8

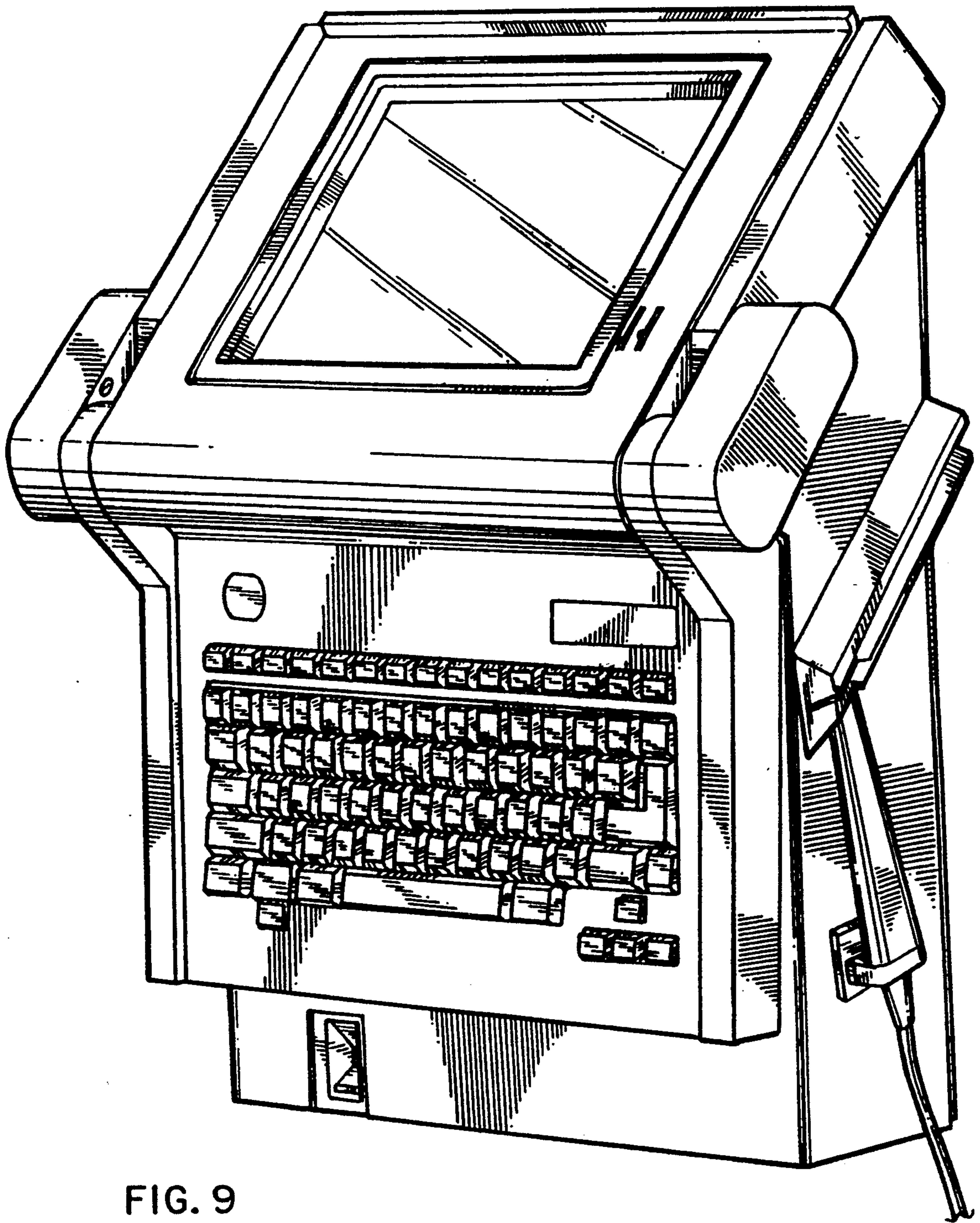


FIG. 9

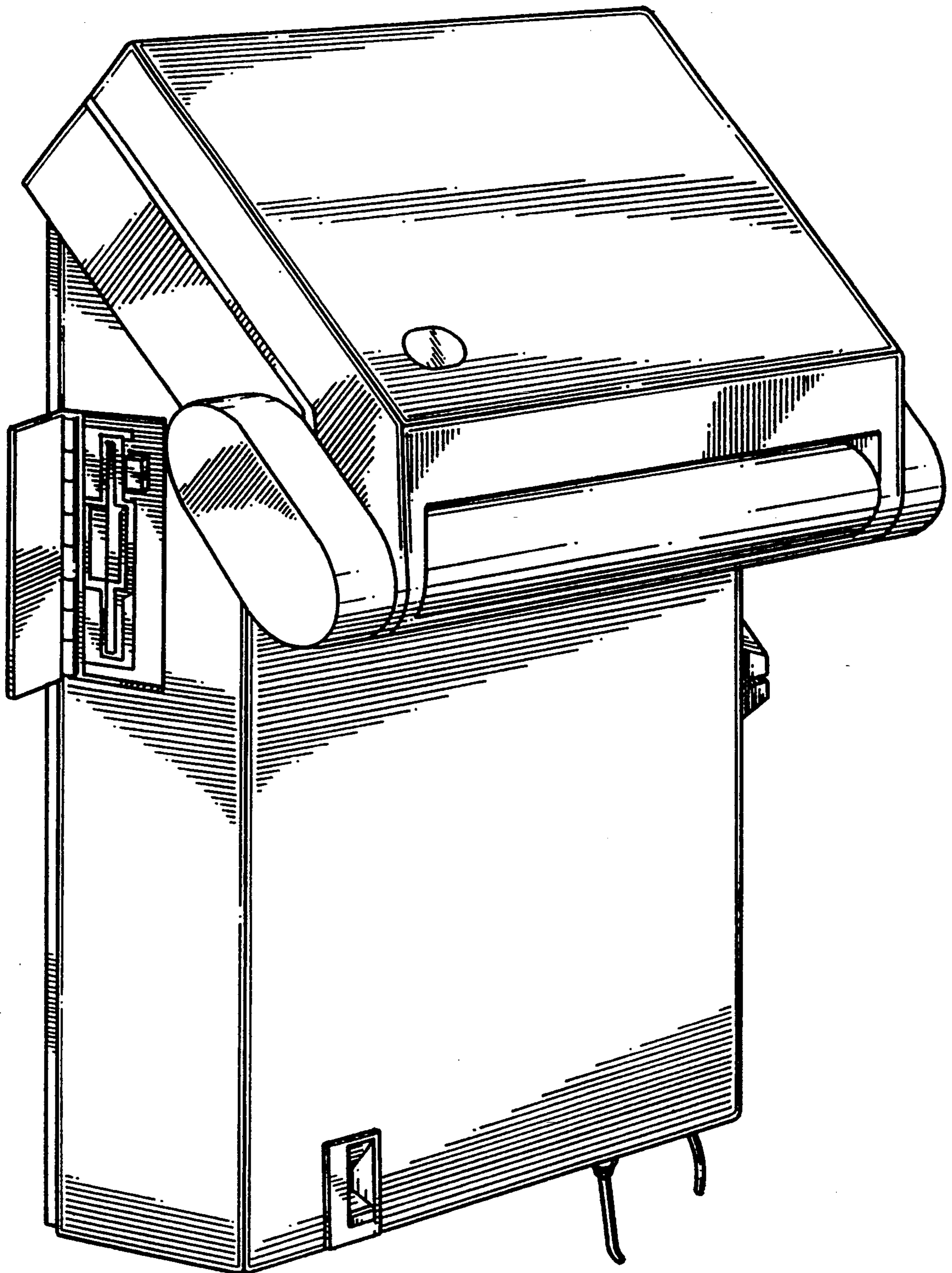


FIG. 10