

[54] ALARM FOR PATIENTS IN HOSPITALS OR THE LIKE

[76] Inventors: Robert E. Gagnon, 31 Conlon Street, Winnipeg, Manitoba, Canada, R2C-4K6; Raymond Gagnon, 51 Sandrington Dr., Winnipeg, Manitoba, Canada, R2N-2J2

[**] Term: 14 Years

[21] Appl. No.: 379,151

[22] Filed: Jul. 13, 1989

[52] U.S. Cl. D10/106

[58] Field of Search D10/104, 106, 121, 75, D10/78, 57, 46; 340/565, 542, 566, 573, 571, 572, 542, 321, 328, 286.07, 286.06

[56] References Cited

U.S. PATENT DOCUMENTS

D. 313,362	1/1991	Reich et al.	D10/106
D. 313,363	1/1991	Reich et al.	D10/106
696,702	4/1902	Weitz	340/687

2,592,989	3/1952	Wilson	340/687
3,192,518	6/1965	Sliman	340/687
3,595,228	7/1971	Simon	340/687
3,651,512	3/1972	Summers	340/286.07
4,228,426	10/1980	Roberts	340/687
4,321,461	3/1982	Walter	340/687
4,680,790	7/1987	Packard et al.	340/286.07
4,761,633	8/1988	Leff et al.	340/286.07

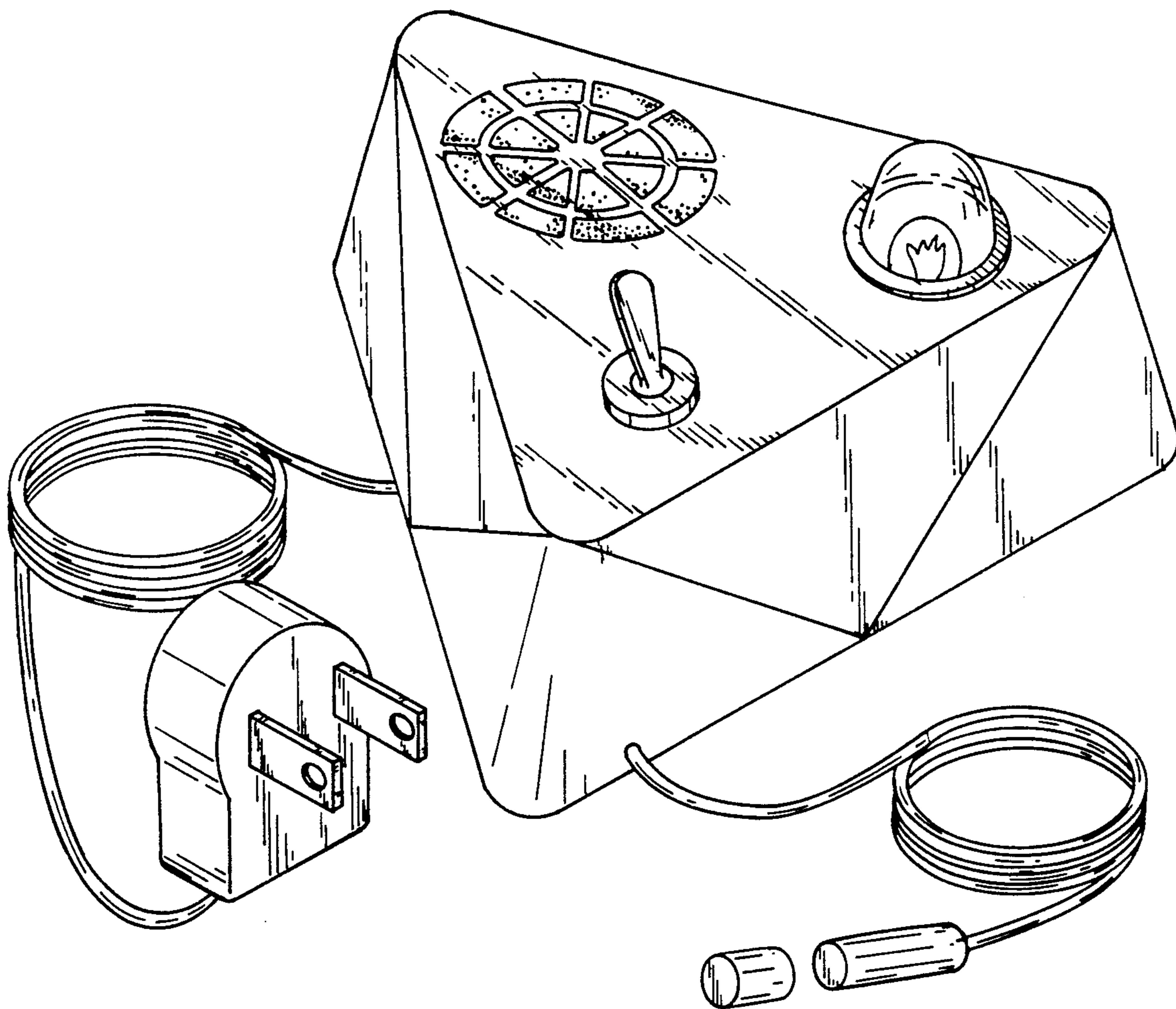
Primary Examiner—Wallace R. Burke
Assistant Examiner—Marcus Jackson
Attorney, Agent, or Firm—Terry M. Gernstein

[57] CLAIM

The ornamental design for an alarm for patients in hospitals or the like, as shown and described.

DESCRIPTION

FIG. 1 is a perspective view of an alarm for patients in hospitals or the like showing our new design, with the rod broken away to indicate indeterminate length; FIG. 2 is a left side elevational view thereof, with the cords broken away for ease of illustration; FIG. 3 is a top plan view thereof; FIG. 4 is a bottom plan view thereof.



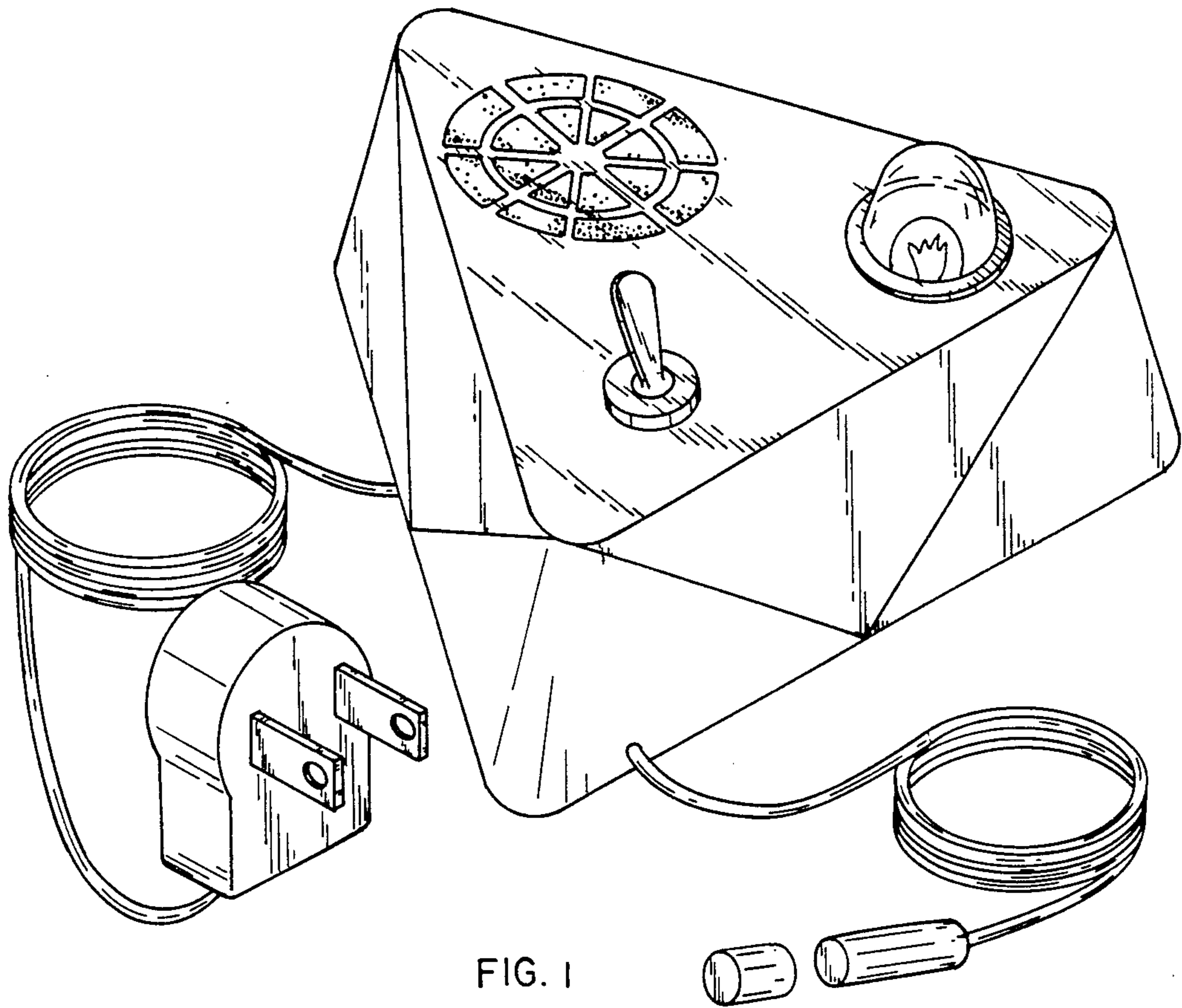


FIG. 1

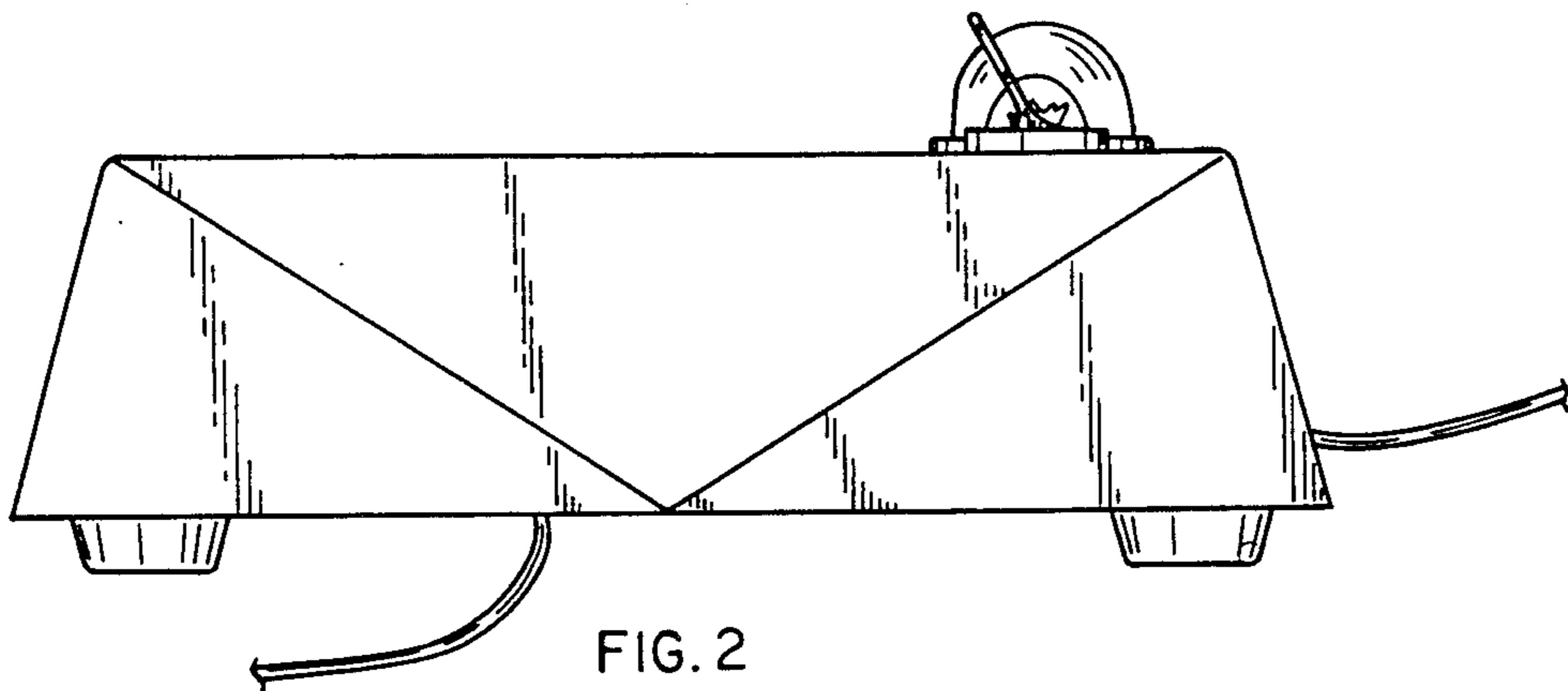


FIG. 2

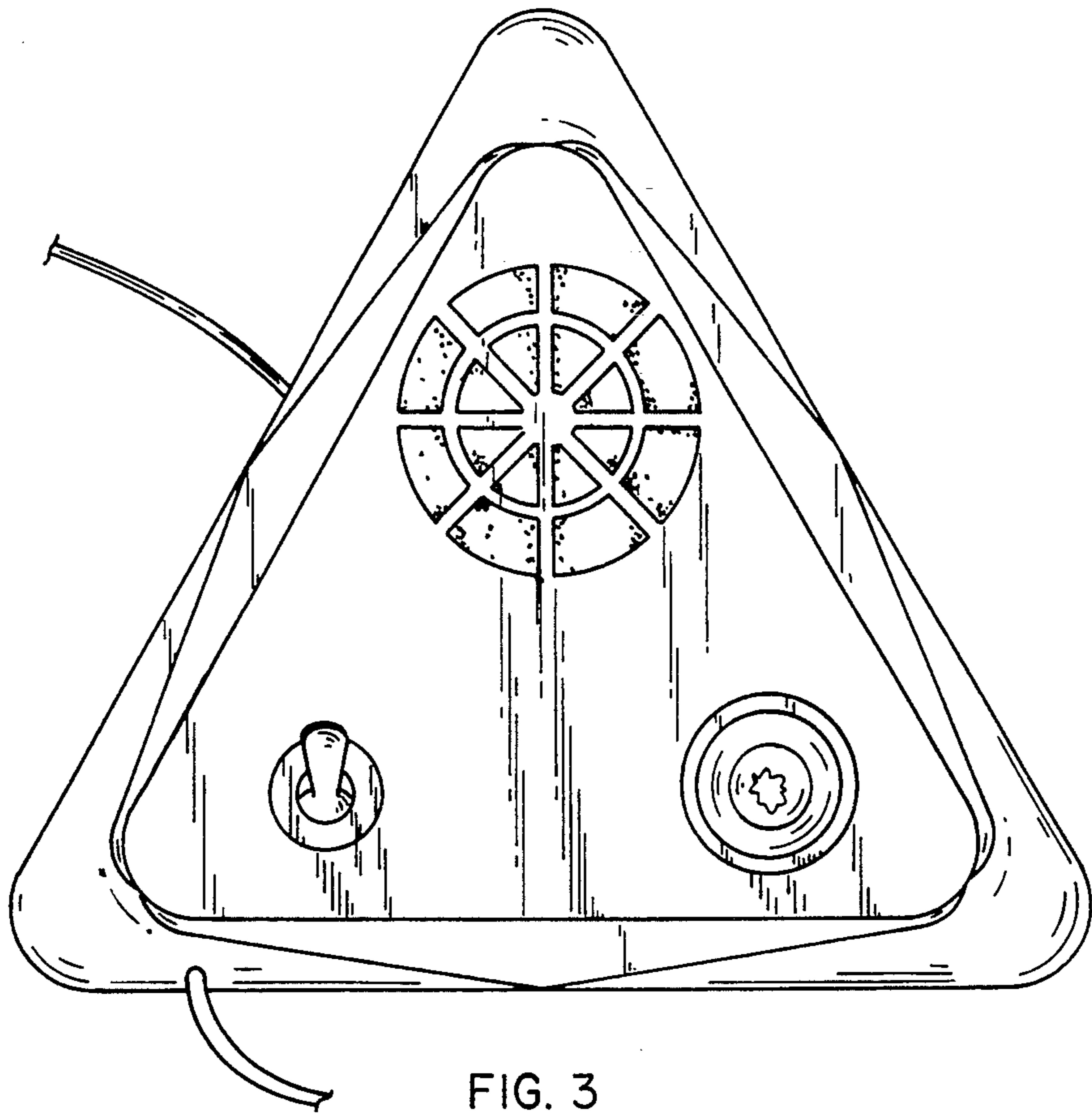


FIG. 3

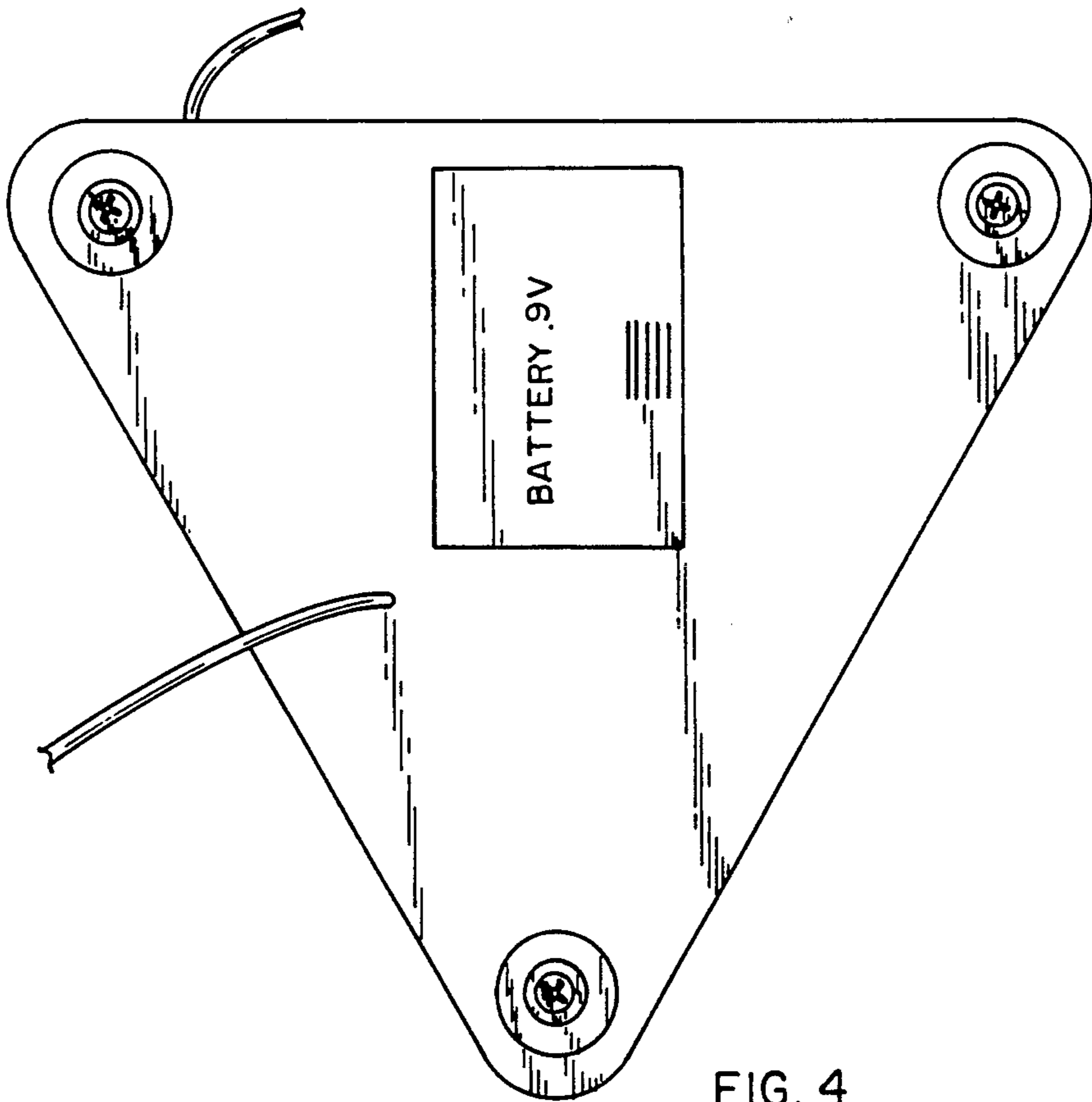


FIG. 4