

[54] **END PANEL FOR CANS**  
[75] **Inventor: Robert M. Harwood, West Glamorgan, Scotland**  
[73] **Assignee: CMB Foodcan plc, England**  
[\*\*] **Term: 14 Years**  
[21] **Appl. No.: 303,777**  
[22] **Filed: Jan. 27, 1989**  
[30] **Foreign Application Priority Data**  
Jul. 29, 1988 [GB] United Kingdom ..... 1052675  
[52] **U.S. Cl. .... D9/438**  
[58] **Field of Search ..... D9/368, 438; 220/90.4, 220/269-273, 276**

[56] **References Cited**  
**U.S. PATENT DOCUMENTS**  
D. 224,209 7/1972 Kinkel et al. .... D9/438  
D. 224,962 10/1972 Saunders ..... D9/438  
D. 240,385 7/1976 Pfeider ..... D9/438

D. 244,915 7/1977 Cudzik ..... D9/438  
D. 248,623 7/1973 Gane ..... D9/438  
D. 263,803 4/1982 Graze ..... D9/438  
3,462,042 8/1969 Stolle ..... D9/438  
3,738,526 6/1973 Zundel et al. .... D9/438  
4,465,204 8/1984 Kaminski et al. .... 220/269  
4,503,989 3/1985 Brown et al. .... 220/269

*Primary Examiner*—Bernard Ansher  
*Assistant Examiner*—Dominic Simone  
*Attorney, Agent, or Firm*—Diller, Ramik & Wigh

[57] **CLAIM**

The ornamental design for an end panel for cans, as shown.

**DESCRIPTION**

FIG. 1 is a top perspective view of an end panel for cans showing my new design;  
FIG. 2 is a top plan view thereof;  
FIG. 3 is a bottom plan view thereof;  
FIG. 4 is a cross-sectional view taken in directions of the arrows along line 4—4 of FIG. 2.

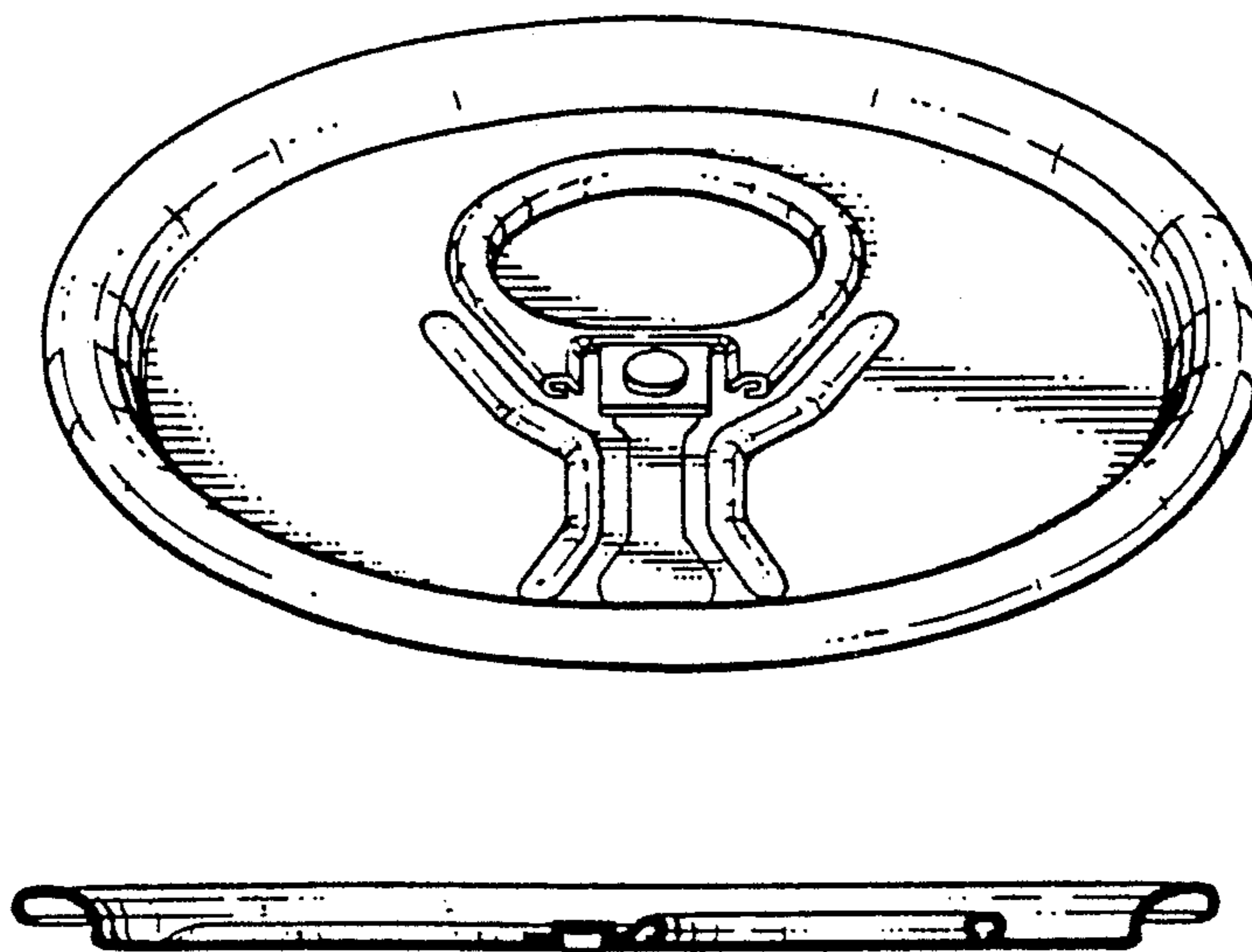


FIG. 1

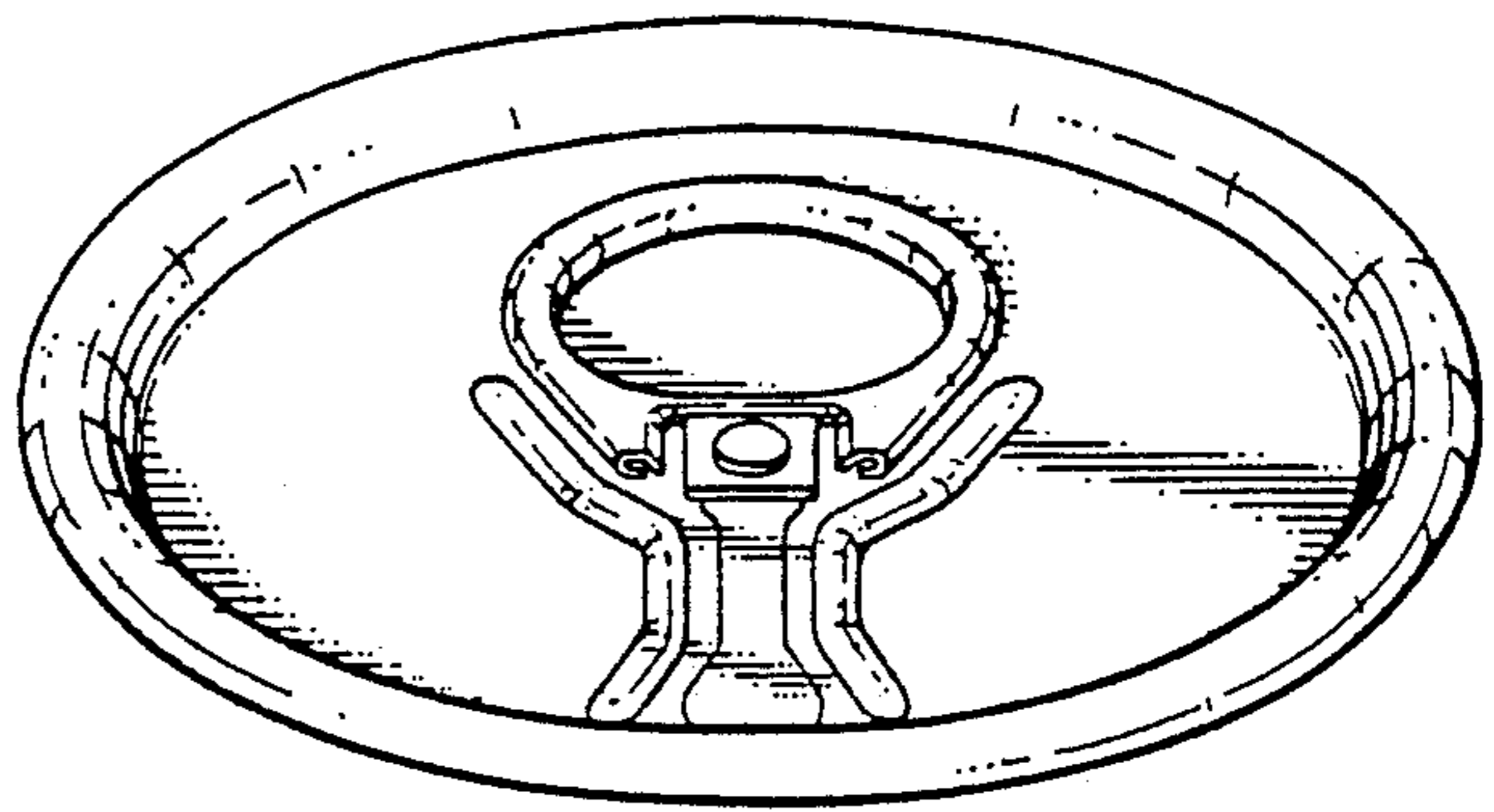


FIG. 2

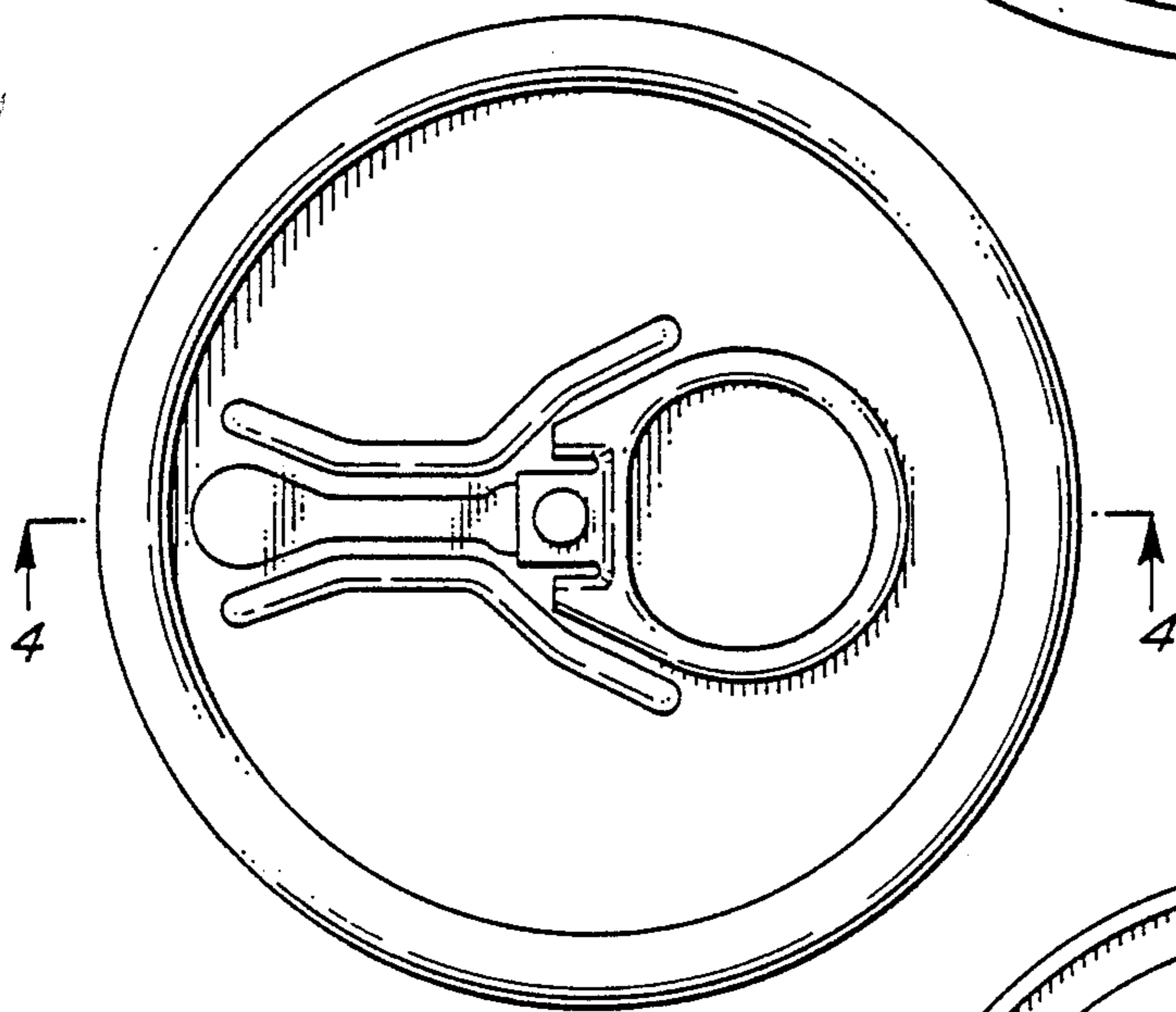


FIG. 3

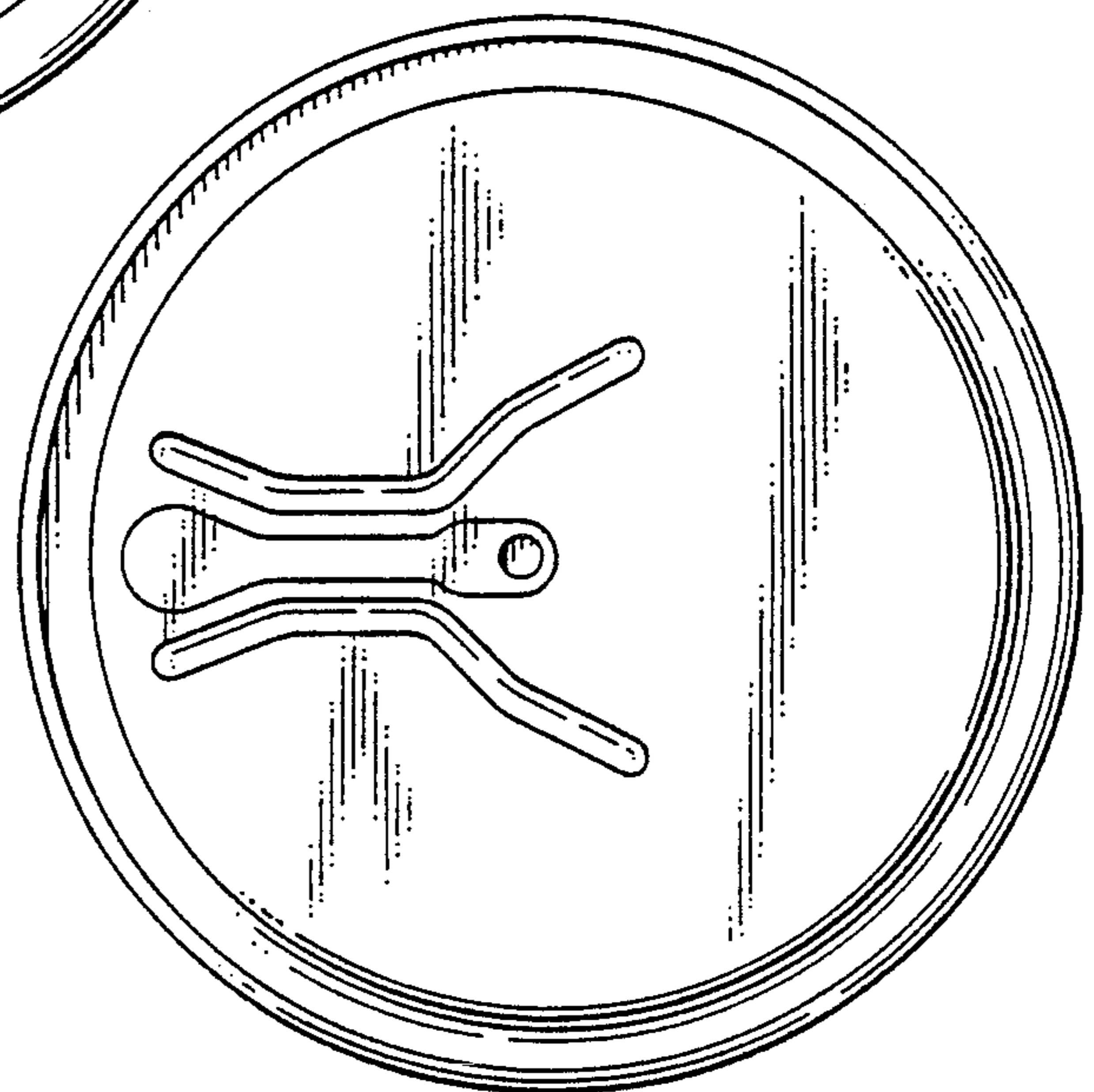


FIG. 4

