

[54] PAINT CAN RIM PROTECTOR

[76] Inventor: R. Peter Petrus, P.O. Box 533,
Liverpool, N.Y. 13088

[**] Term: 14 Years

[21] Appl. No.: 220,816

[22] Filed: Jul. 18, 1988

[52] U.S. Cl. D9/435; D9/447

[58] Field of Search D9/434, 435, 445, 447;
220/90.2-90.6, 96, 254, 335, 338, 375, 339, 379,
386; 222/542, 569, 570, 556, 530

[56] References Cited

U.S. PATENT DOCUMENTS

2,564,979	8/1951	Jorgenson	220/90
2,960,257	11/1960	Sasse	220/90
3,272,395	9/1966	Lawyer	222/189
3,298,561	1/1967	McConnie	D9/447
3,356,266	12/1967	Pinter, Jr.	222/192
3,469,735	9/1969	Burt	D9/447
3,811,606	5/1974	Higgins	222/570
3,853,249	12/1974	Weir, Jr. et al.	222/570
3,994,424	11/1976	Koeller	222/570
4,203,537	5/1980	McAlister	222/570
4,225,064	9/1980	Westcott	222/569
4,240,568	12/1980	Pool	222/189
4,369,890	1/1983	Bennett	220/85 R
4,736,874	4/1988	Durant	222/570
4,893,723	1/1990	Seabolt	222/570

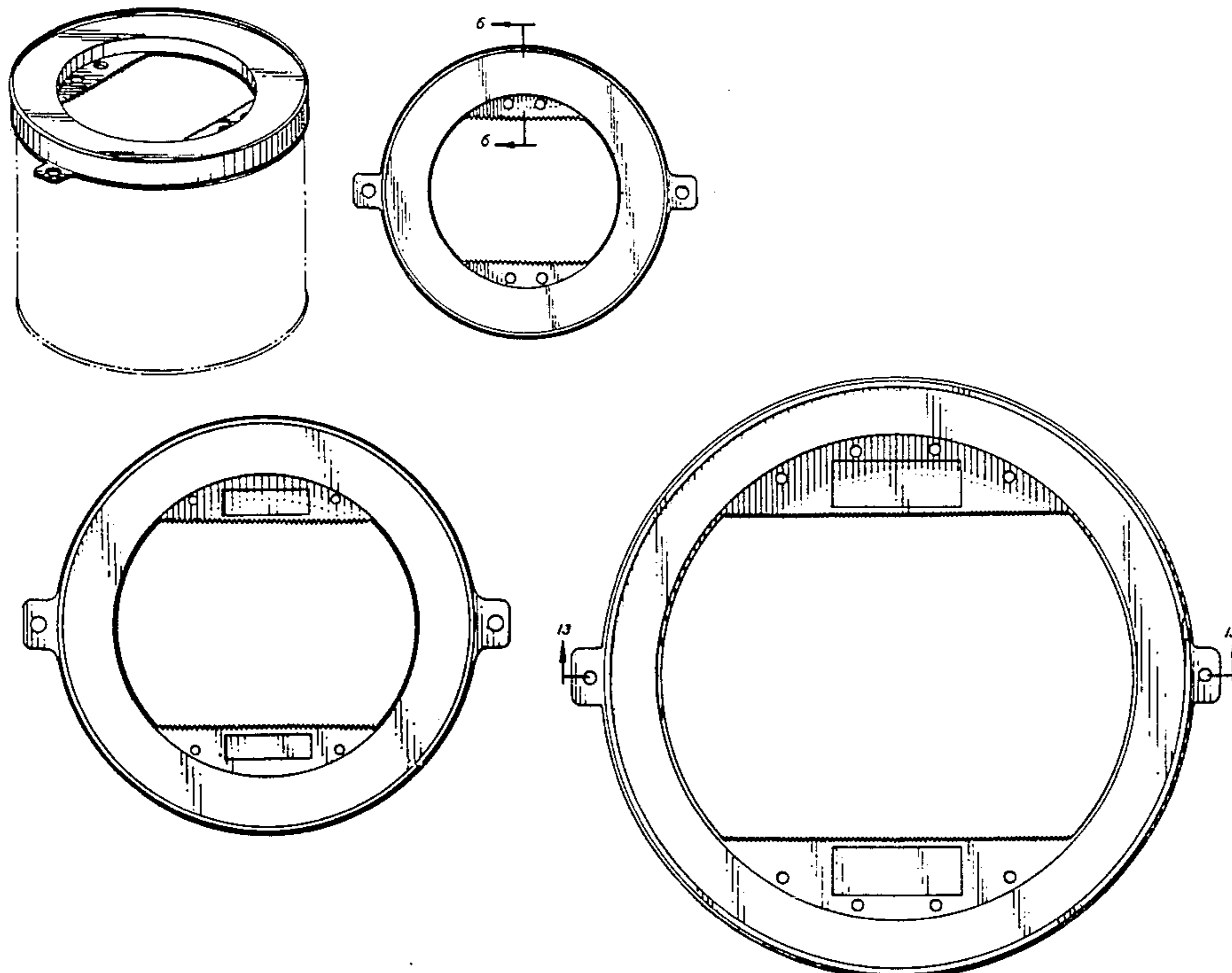
Primary Examiner—Bernard Ansher
Assistant Examiner—Dominic Simone
Attorney, Agent, or Firm—Wall and Roehrig

[57] CLAIM

The ornamental design for a paint can rim protector, as shown and described.

DESCRIPTION

FIG. 1 is a perspective view of a paint can rim protector showing my new design, the can shown in broken lines for illustrative purposes only;
FIG. 2 is a top plan view thereof;
FIG. 3 is a bottom plan view thereof;
FIG. 4 is a left side elevational view thereof, the right side being identical;
FIG. 5 is a front elevational view thereof, the rear being identical;
FIG. 6 is an enlarged broken away sectional view thereof, taken in the direction of the arrows along line 6—6 of FIG. 2;
FIG. 7 is a top plan view of a second embodiment of FIG. 1, the only difference being its increased dimensions and the serrated inner lip;
FIG. 8 is a bottom plan view of FIG. 7;
FIG. 9 is a left side elevational view of FIG. 1, the right side being identical;
FIG. 10 is a front elevational view of FIG. 7, the rear being identical;
FIG. 11 is a top plan view of a third embodiment of FIG. 1, the only difference being its increased dimensions and the serrated inner lip;
FIG. 12 is a front elevational view of FIG. 11, the rear being identical;
FIG. 13 is a cross sectional view of FIG. 11 taken in the direction of the arrows on line 13—13 of FIG. 11;
FIG. 14 is a bottom plan view of FIG. 11;
FIG. 15 is a left side elevational view of FIG. 11, the right side being identical.



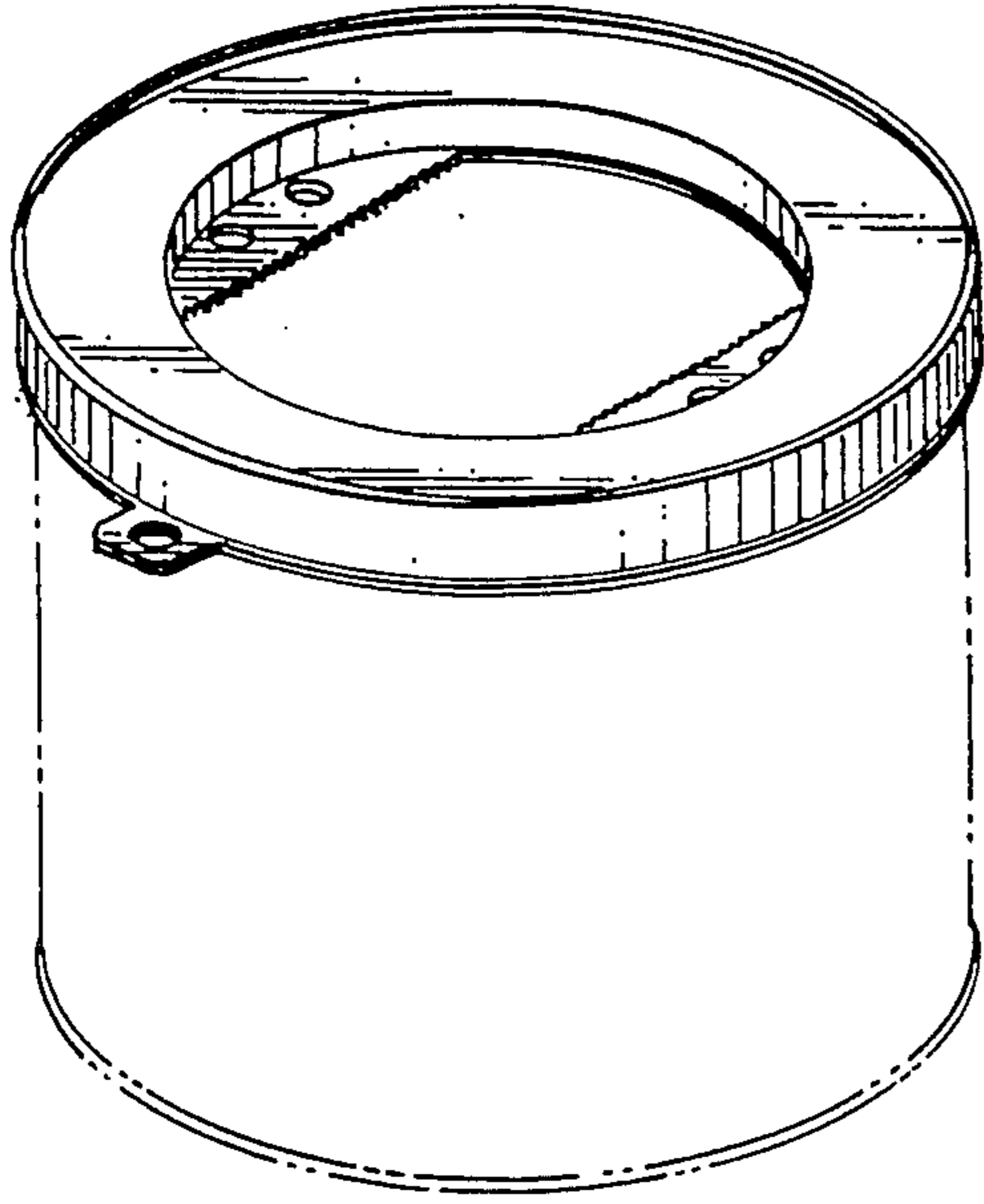


FIG. 1

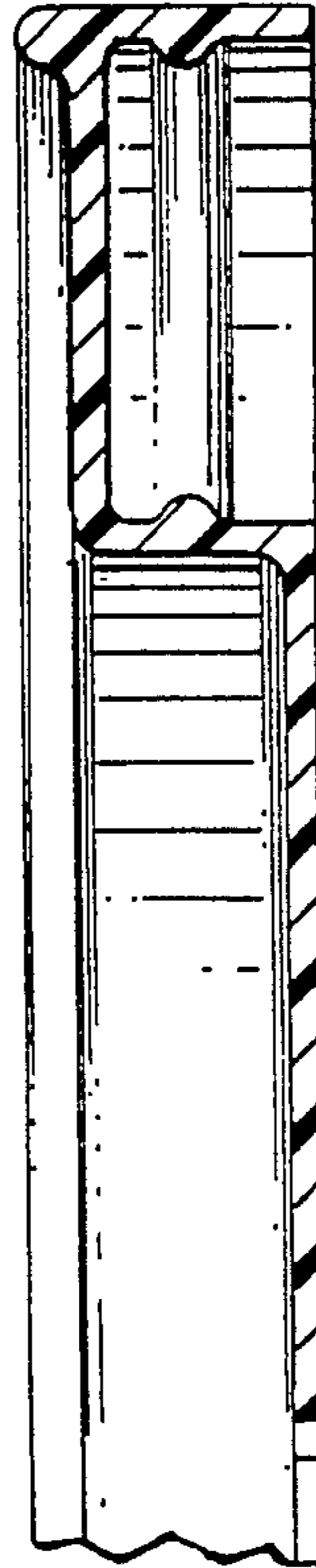


FIG. 6

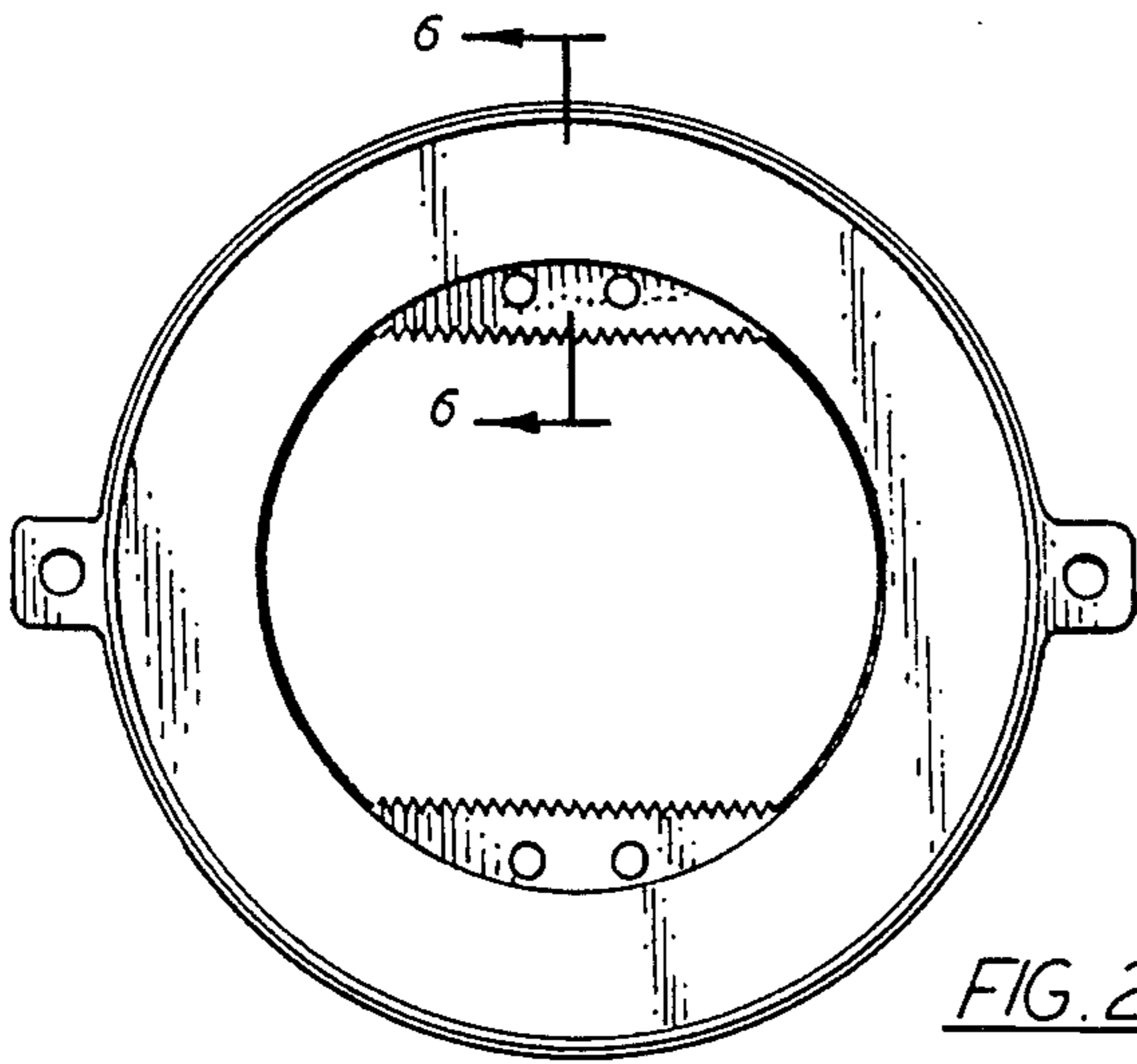


FIG. 2



FIG. 4

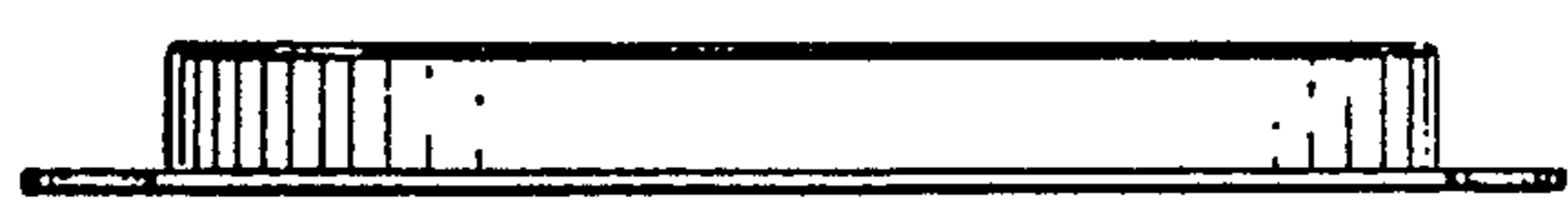


FIG. 5

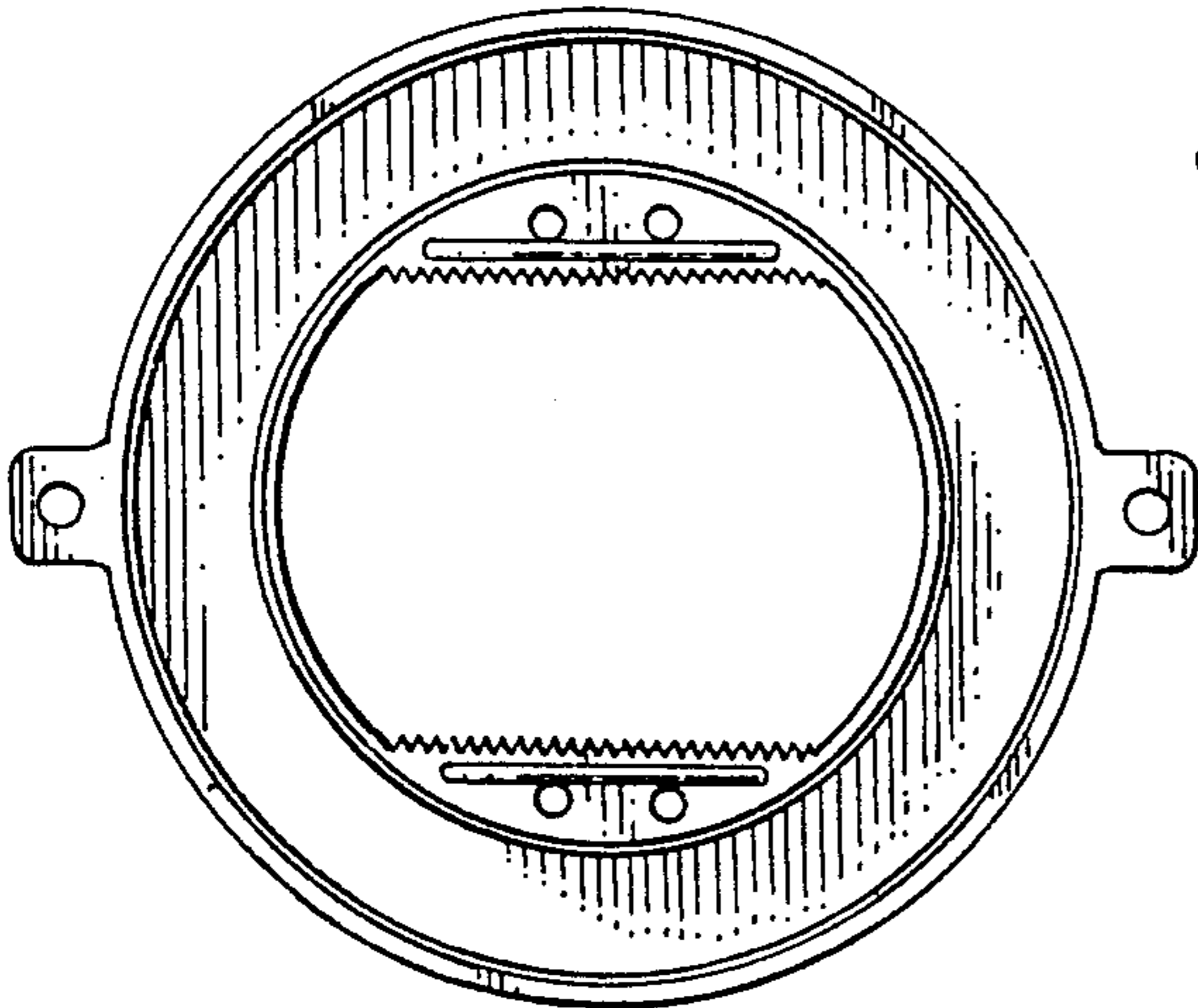


FIG. 3

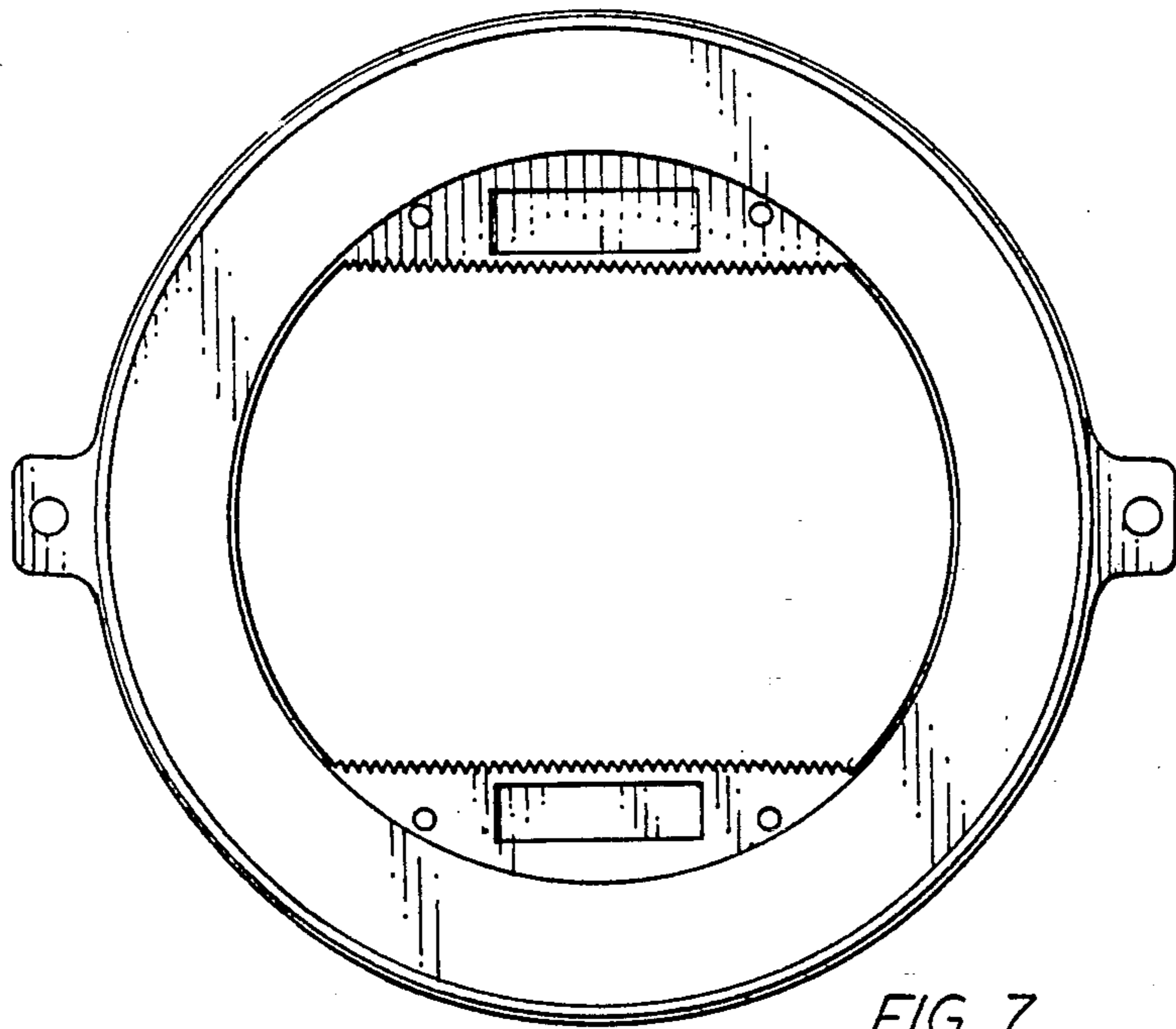


FIG. 7

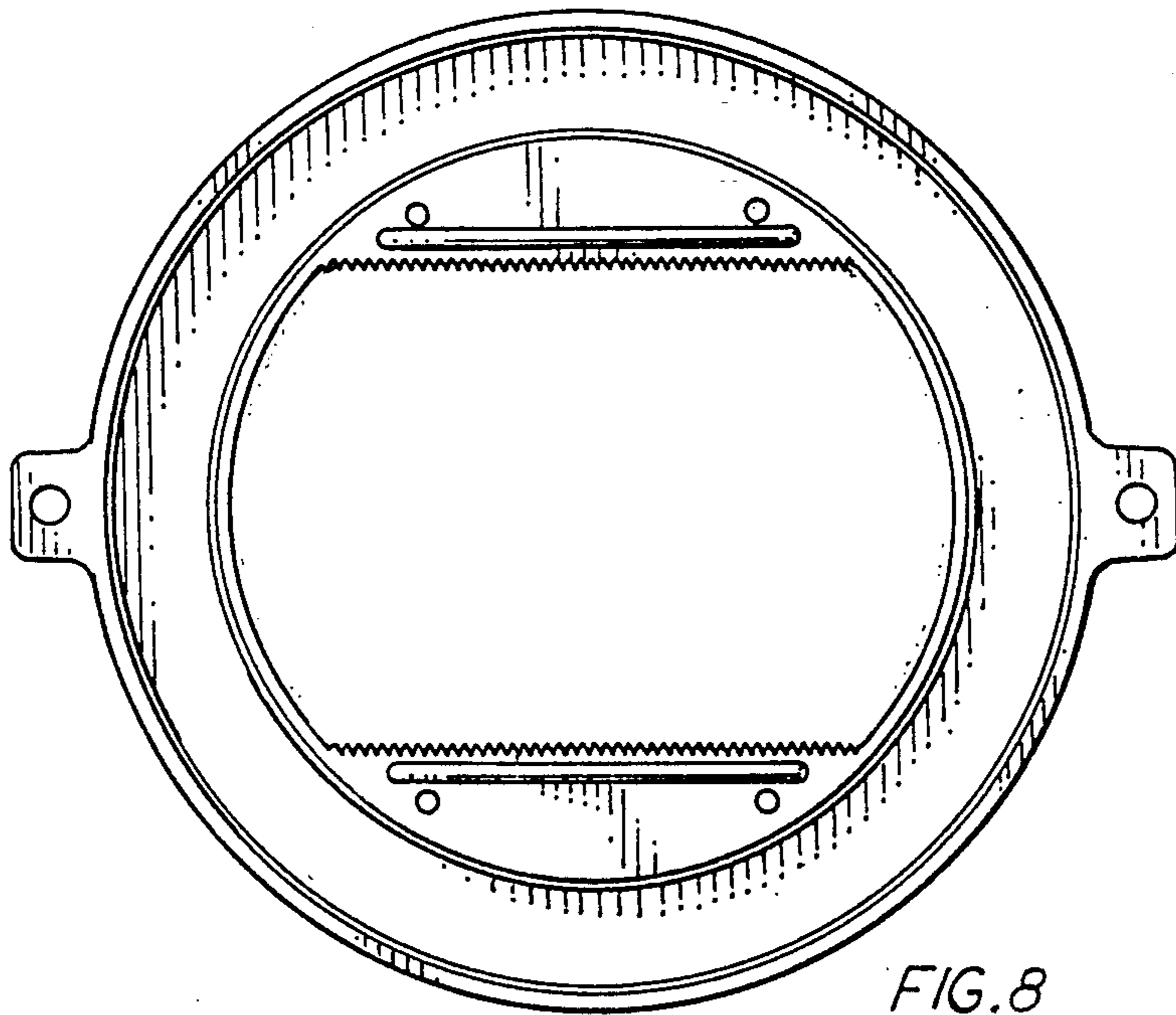


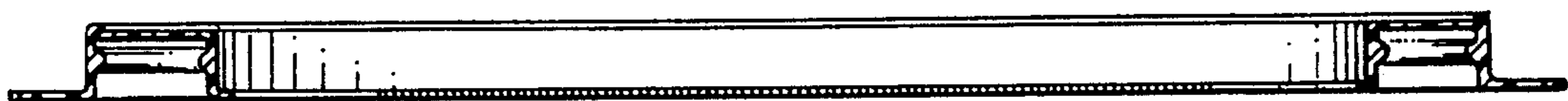
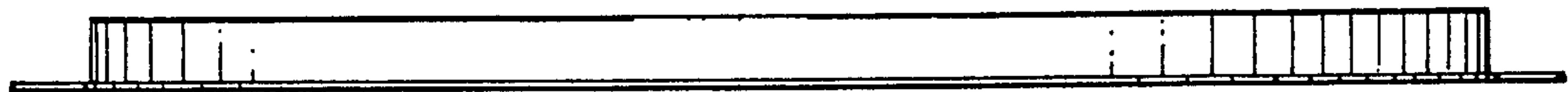
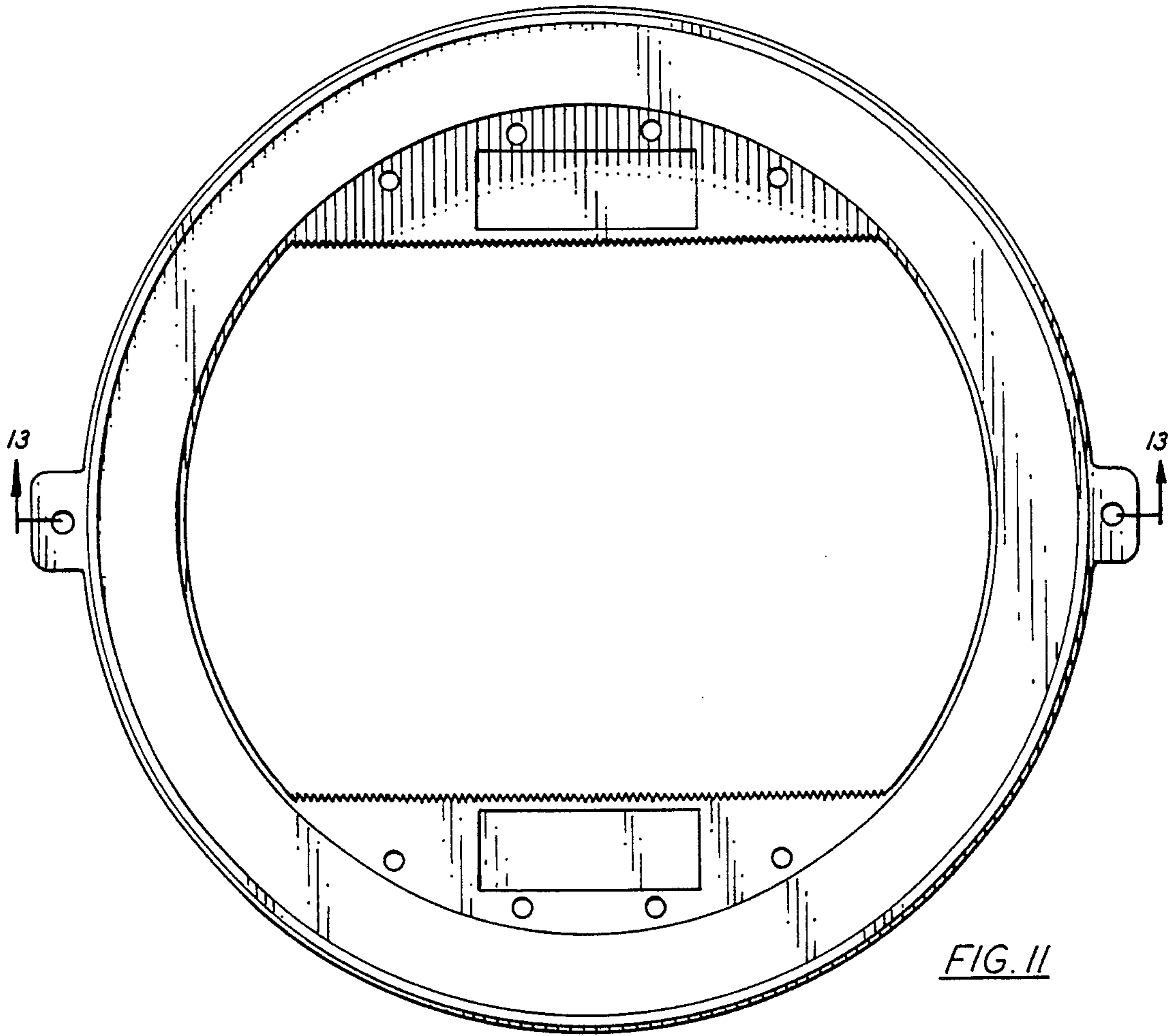
FIG. 8



FIG. 9



FIG. 10



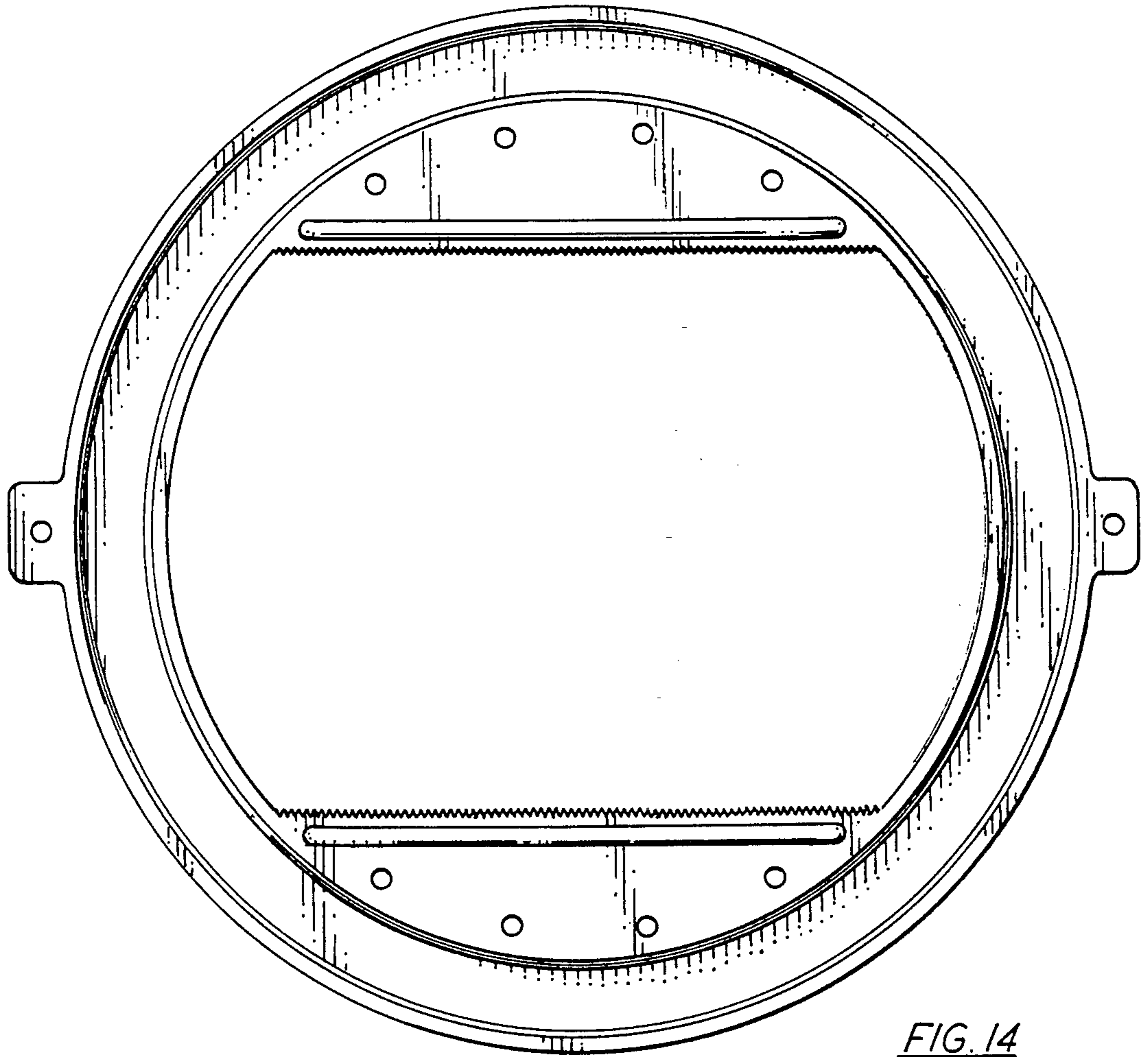


FIG. 14



FIG. 15