

[54] LUG NUT REMOVER

[76] Inventor: Roy L. Breece, P.O. Box 173, Centerville, Tenn. 37033

[**] Term: 14 Years

[21] Appl. No.: 167,427

[22] Filed: Mar. 14, 1988

[52] U.S. Cl. D8/14; D8/21

[58] Field of Search D8/14, 21, 22, 29, 71, D8/87, 51, 28, 26, 387, 397, 1; 81/55, 124.2; D7/98; 51/214, 212

[56] References Cited

U.S. PATENT DOCUMENTS

D. 241,114	8/1976	Hess	D8/26
D. 274,404	6/1984	Adler	D8/28
D. 301,540	6/1989	Zahuranec et al.	D8/14 X
D. 301,964	7/1989	Ball	D8/14 X
1,626,730	5/1927	Haynes	81/124.5 X
1,867,372	7/1932	McGuckin	D8/21
3,473,423	10/1969	Peck	D8/14 X

3,769,862	11/1973	Miller	81/124.2
3,791,086	2/1974	Pinn	51/212
4,910,923	3/1990	McCabe	51/214 X

OTHER PUBLICATIONS

Efcor Brochure, Mark 2, p. 2, fitting top center.

Primary Examiner—Bruce W. Dunkins

Assistant Examiner—Monica Hannon

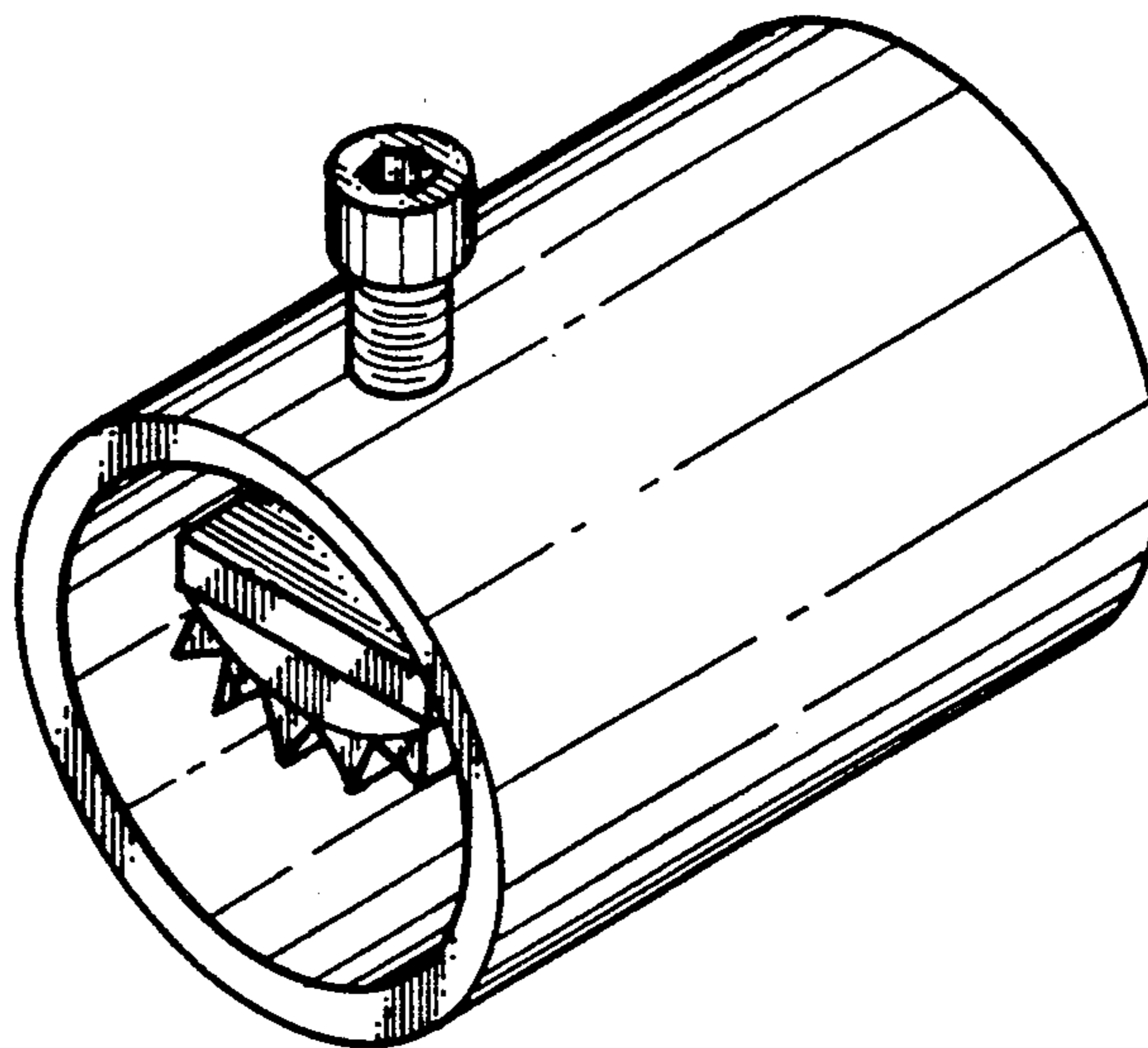
Attorney, Agent, or Firm—L. Arnold Thaxton

[57] CLAIM

The ornamental design for a lug nut remover, as shown and described.

DESCRIPTION

FIG. 1 is a left front perspective view of a lug-nut remover showing my new design; FIG. 2 is a right end elevational view; and FIG. 3 is a left end elevational view thereof; The undisclosed side portions of the lug-nut remover are the same in appearance as side portions shown in FIG. 1.



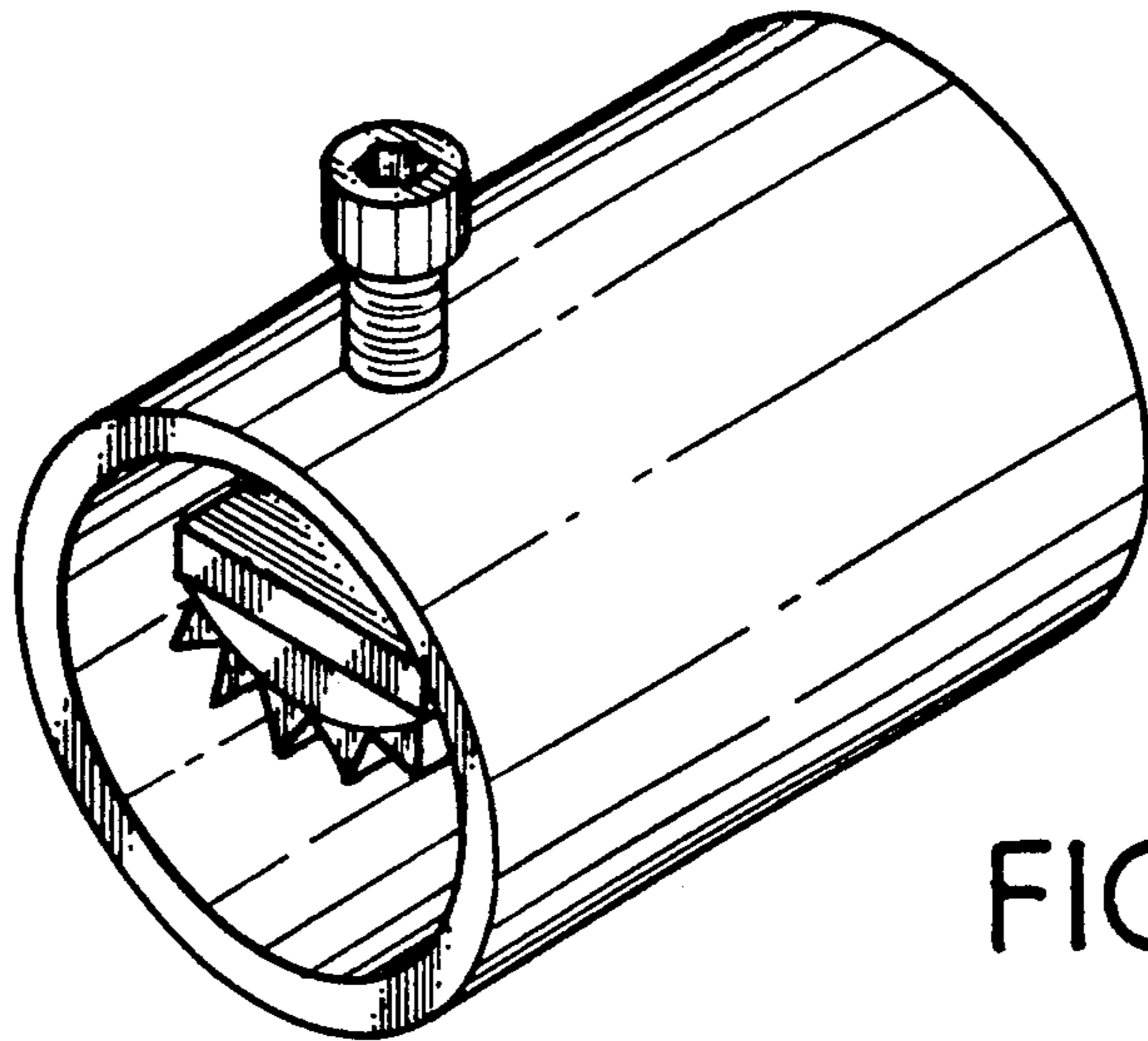


FIG. 1

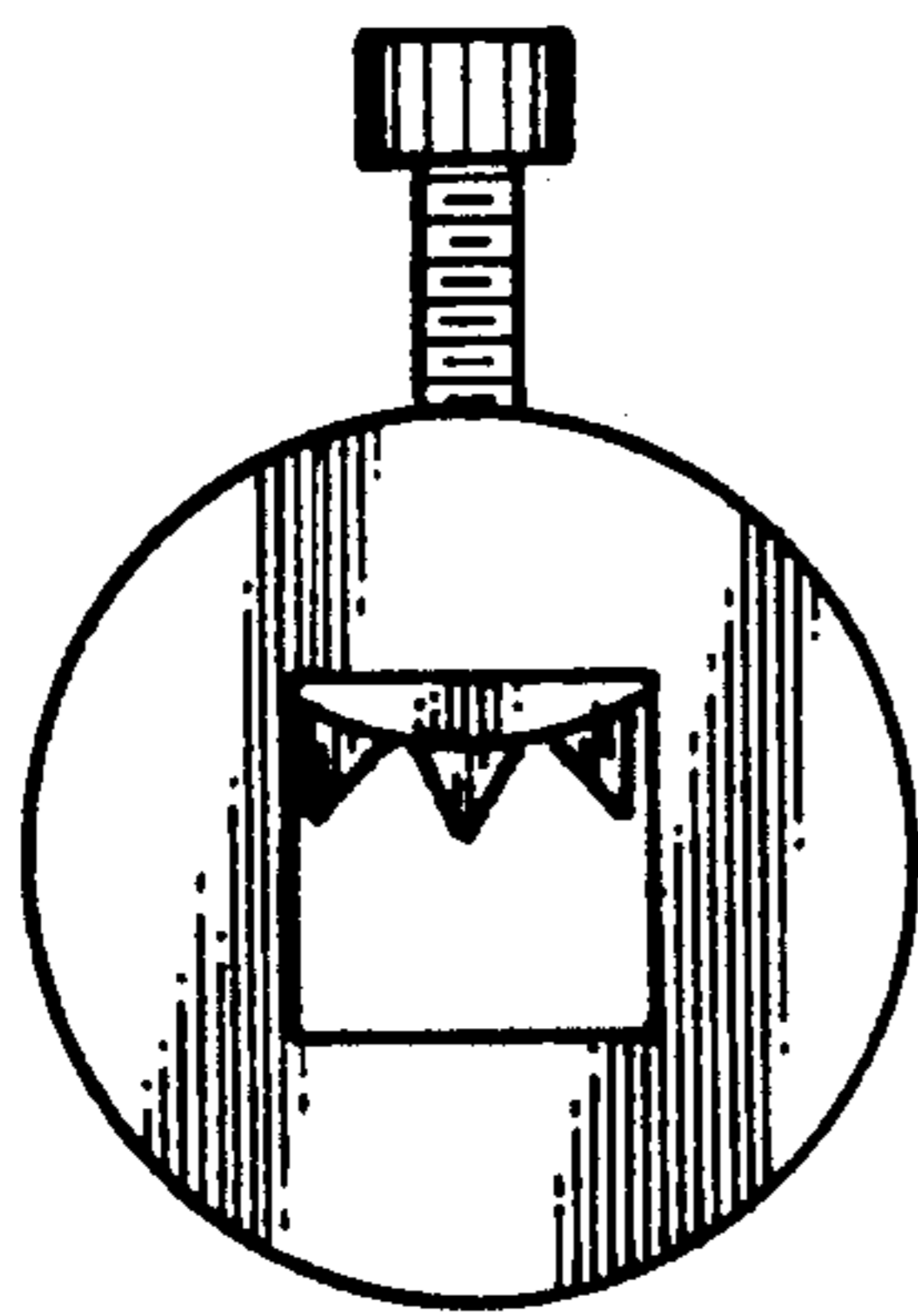


FIG. 2

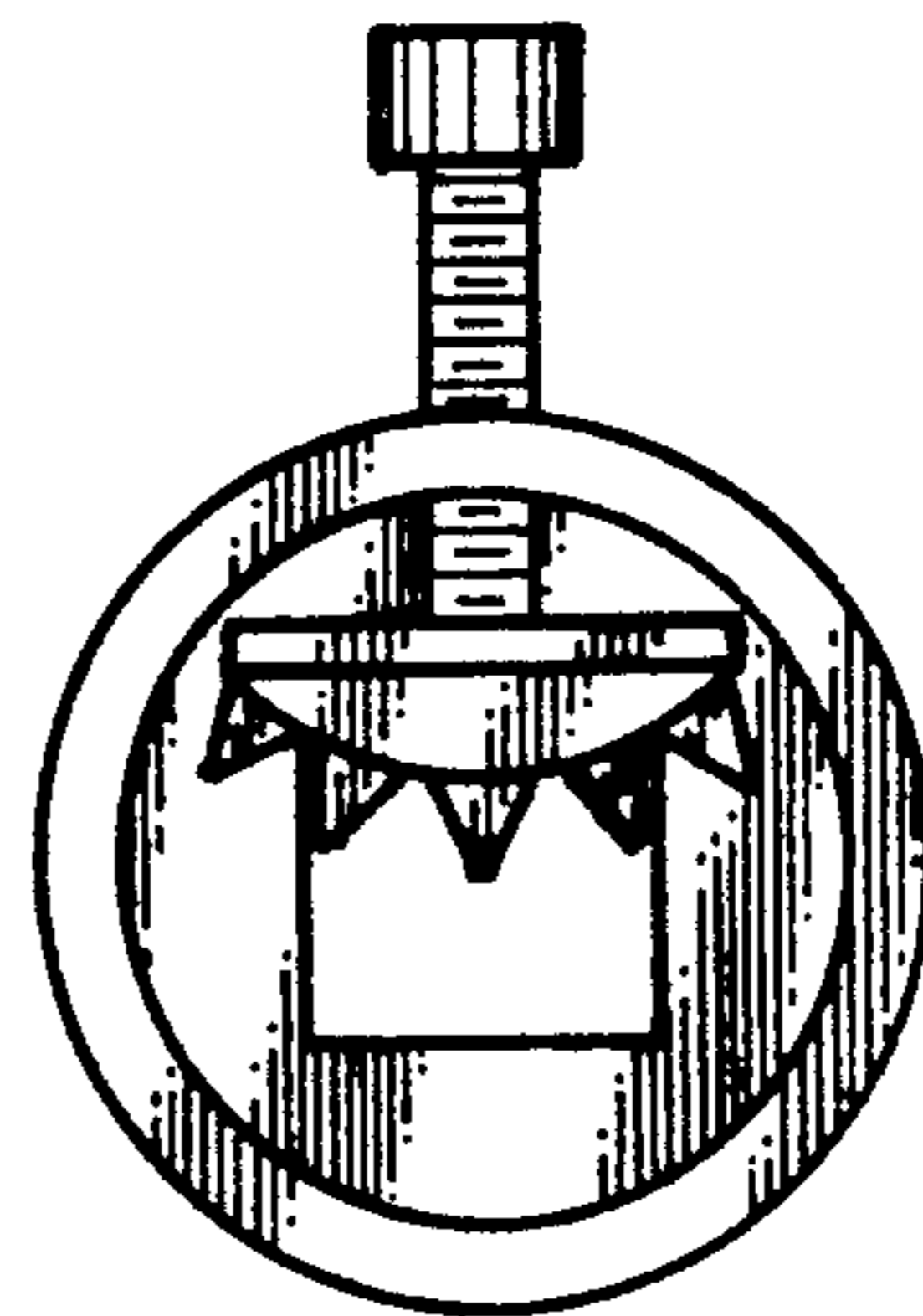


FIG. 3