

[54] COMBINED SCOOP AND COVER THEREFOR

[75] Inventors: Sky Underwood, Brooklyn, N.Y.; Robert Marks, Short Hills, N.J.; David Laubach, New York, N.Y.; Harvey Samo, Maplewood, N.J.

[73] Assignee: Lever Brothers Company, Division of Conopco, Inc., New York, N.Y.

[**] Term: 14 Years

[21] Appl. No.: 473,286

[22] Filed: Jan. 31, 1990

[52] U.S. Cl. D7/691; D10/46.2

[58] Field of Search D7/691-692, D7/681, 688; D10/46.2; 30/324-328; 294/55; 73/426

[56] References Cited

U.S. PATENT DOCUMENTS

D. 54,303	12/1919	Berger	D7/691 X
D. 90,906	10/1933	Baker, Jr. .	
D. 167,580	8/1952	McFarland et al. .	
D. 239,907	5/1976	Olsson et al. .	
D. 274,776	7/1984	Molloy et al. .	
D. 297,202	8/1988	Zumwalt .	
2,196,244	4/1940	Blumqvist	30/324 X

2,810,958	10/1957	Monti .
3,360,121	12/1967	Zoeller et al. .
3,911,578	10/1975	Ushkow et al. .
4,096,947	6/1978	Morse .

FOREIGN PATENT DOCUMENTS

2622424 10/1987 France .

OTHER PUBLICATIONS

Measurex Brochure (1988)—Plastic Measures for Liquid and Powdered Products.

Primary Examiner—Terry A. Pfeffer
Attorney, Agent, or Firm—Gerard J. McGowan, Jr.

[57] CLAIM

The ornamental design for a combined scoop and cover therefor, as shown and described.

DESCRIPTION

FIG. 1 is a perspective view of a combined scoop and cover therefor showing our new design; FIG. 2 is a perspective view thereof; FIG. 3 is a front elevational view thereof; FIG. 4 is a top plan view thereof; FIG. 5 is a rear elevational view thereof; FIG. 6 is a side elevational view thereof; and FIG. 7 is a bottom plan view thereof. The cover is removed in FIGS. 2-7 for clarity of illustration.

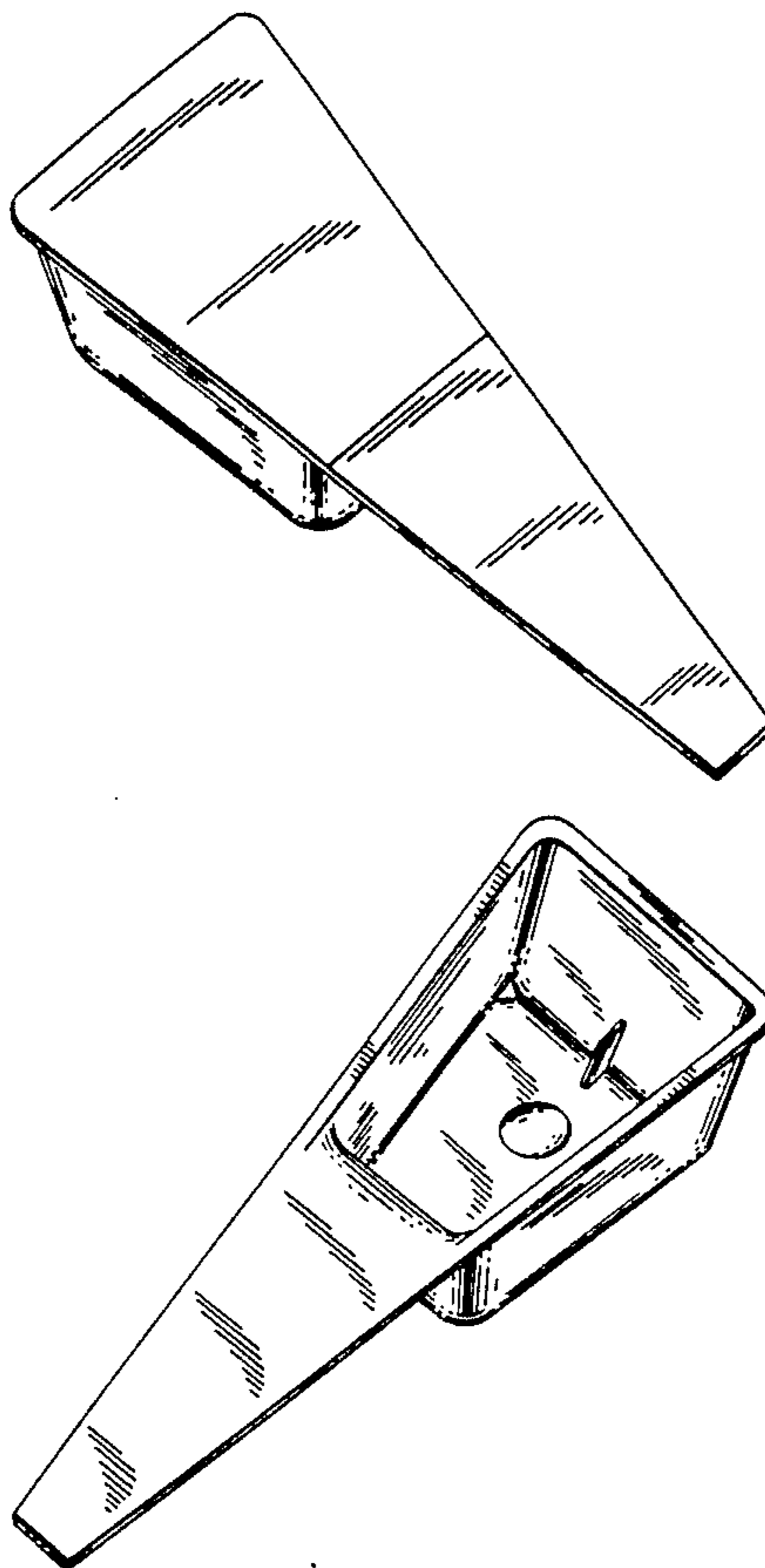


FIG. 1

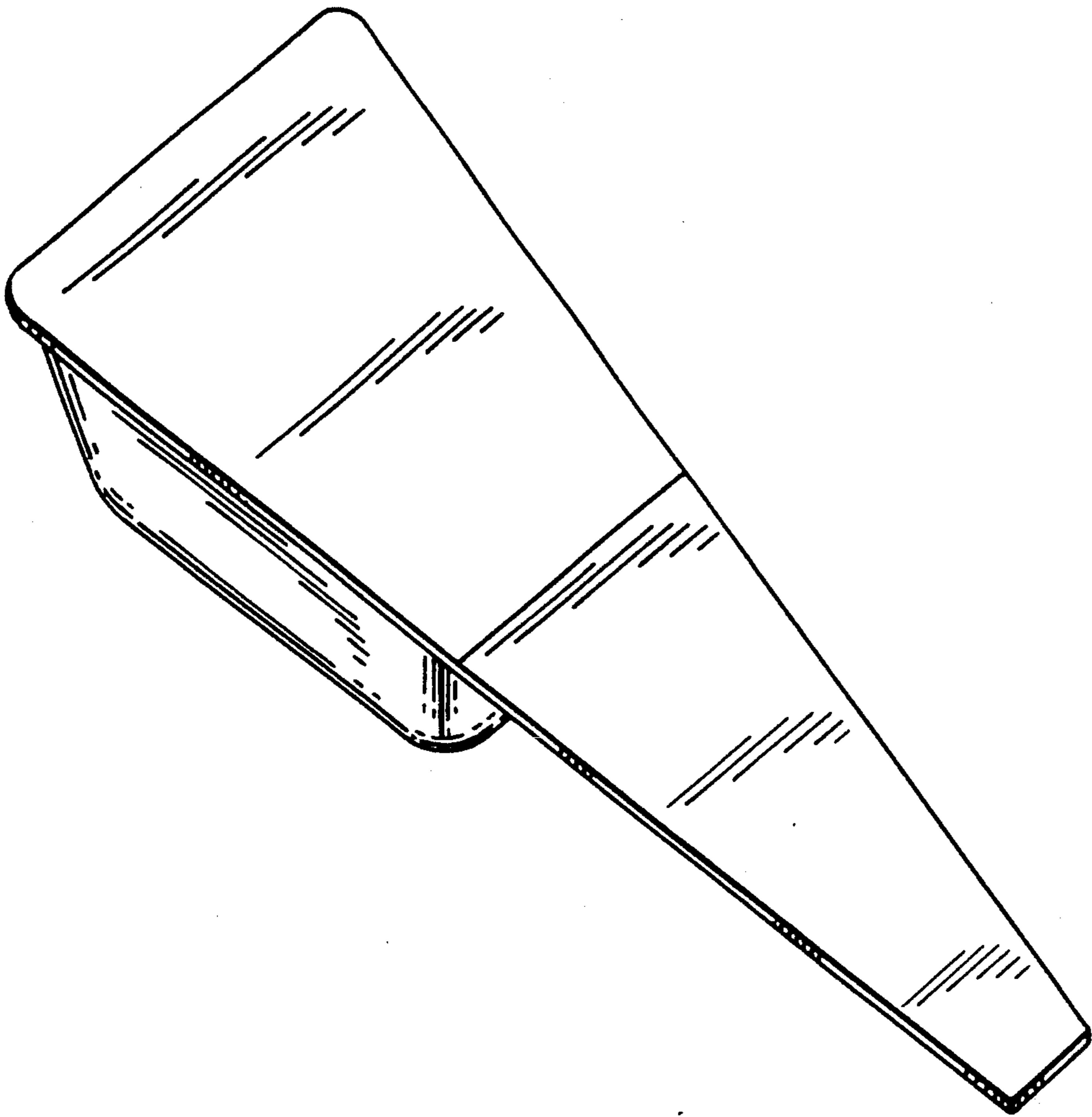


FIG. 2

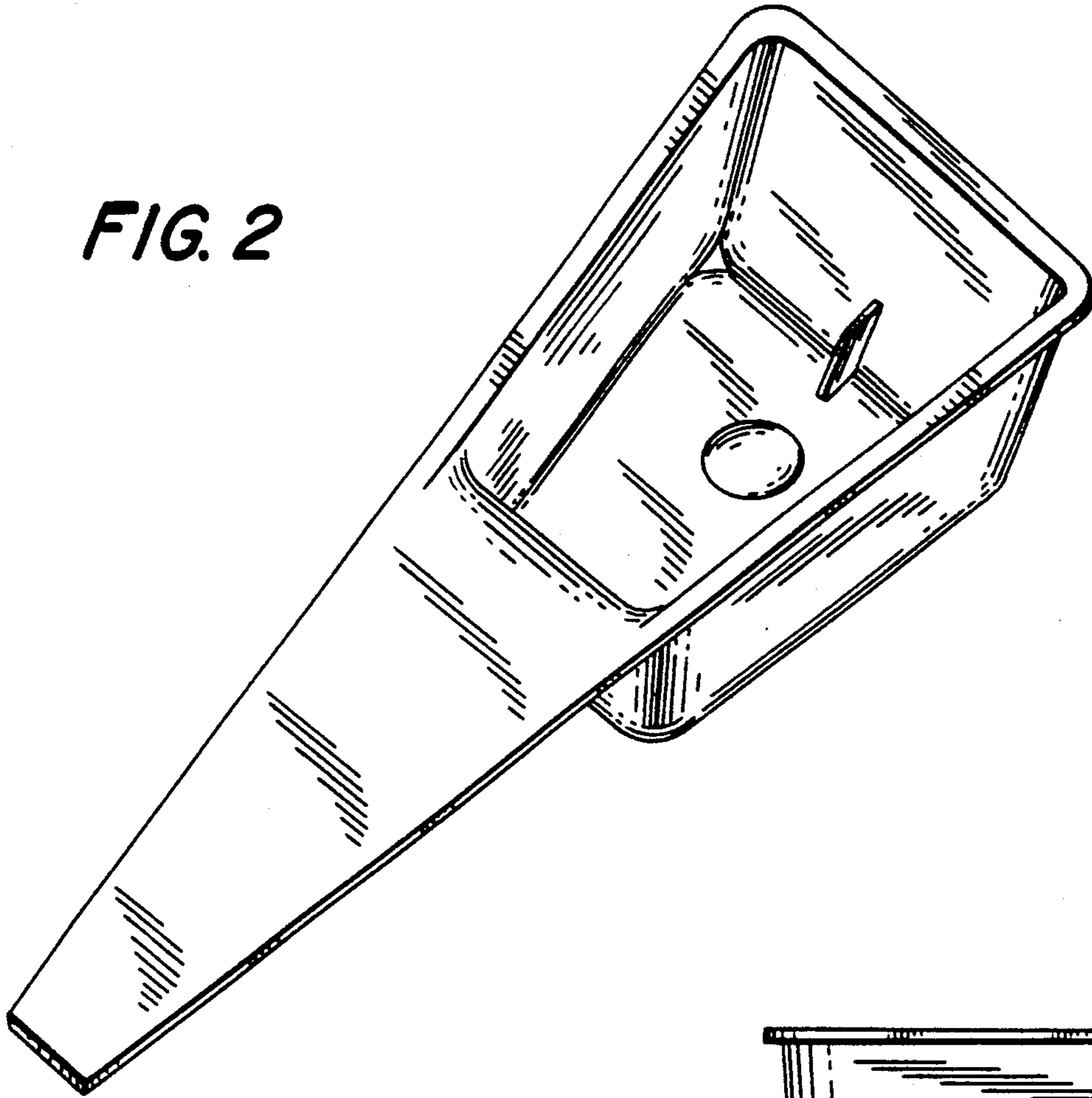


FIG. 3

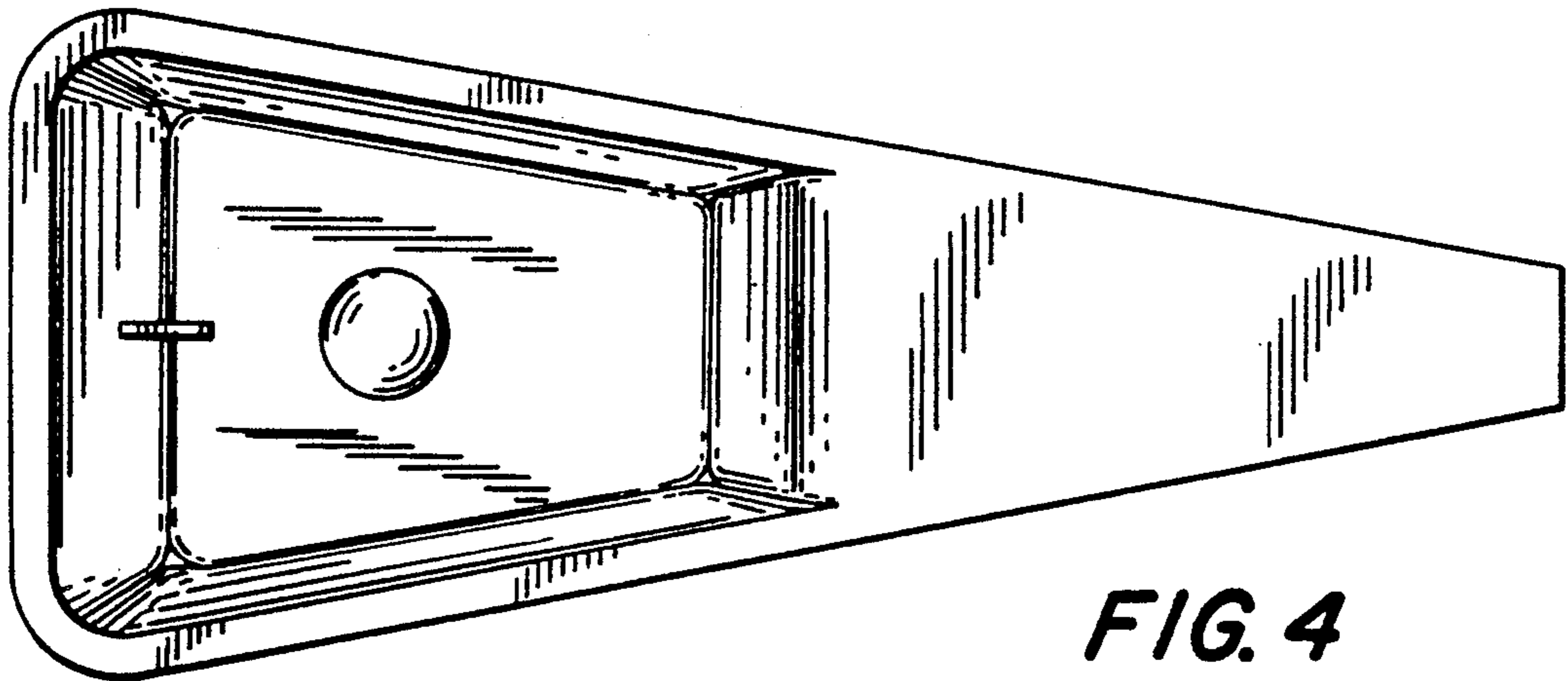
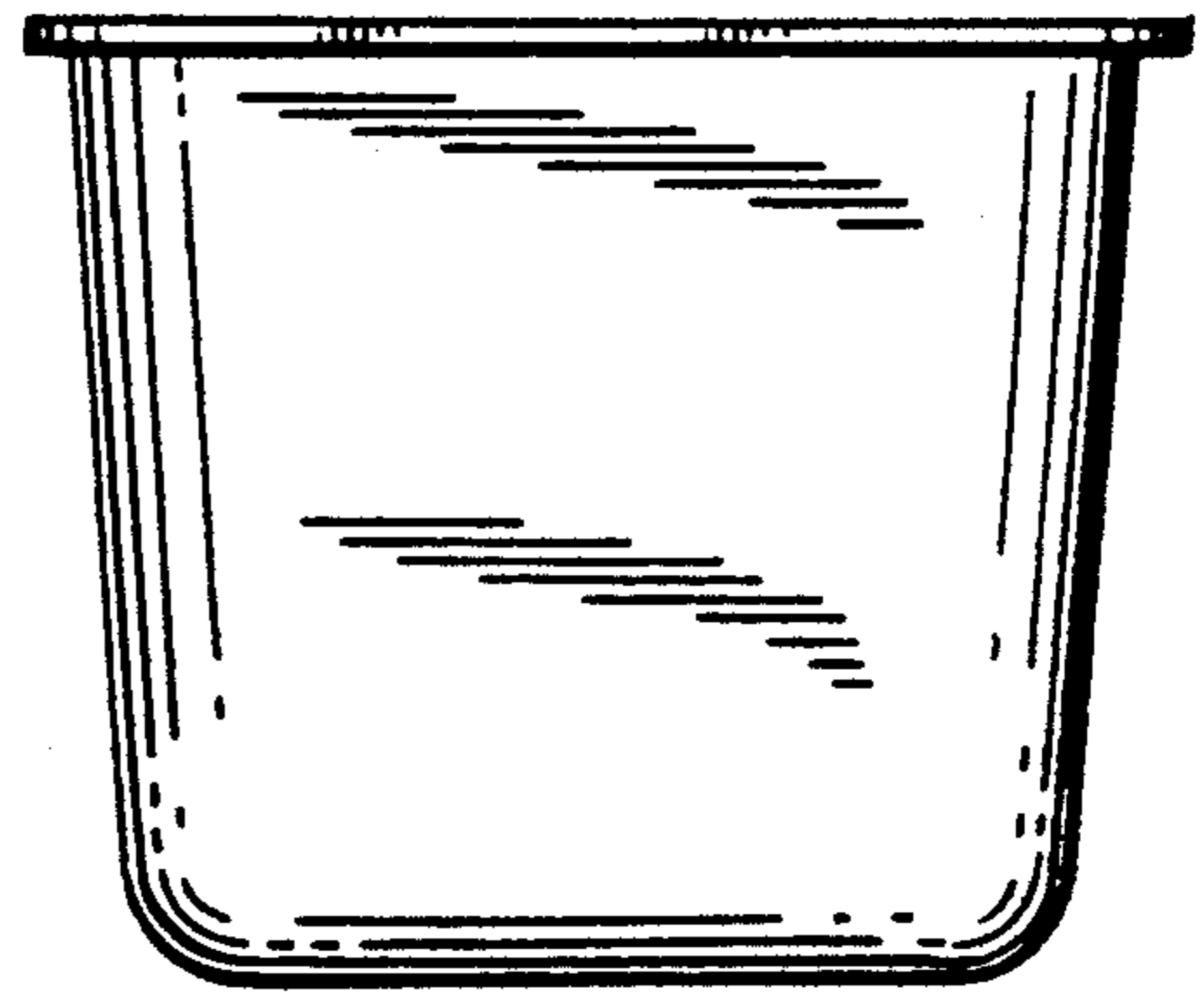


FIG. 4

FIG. 5

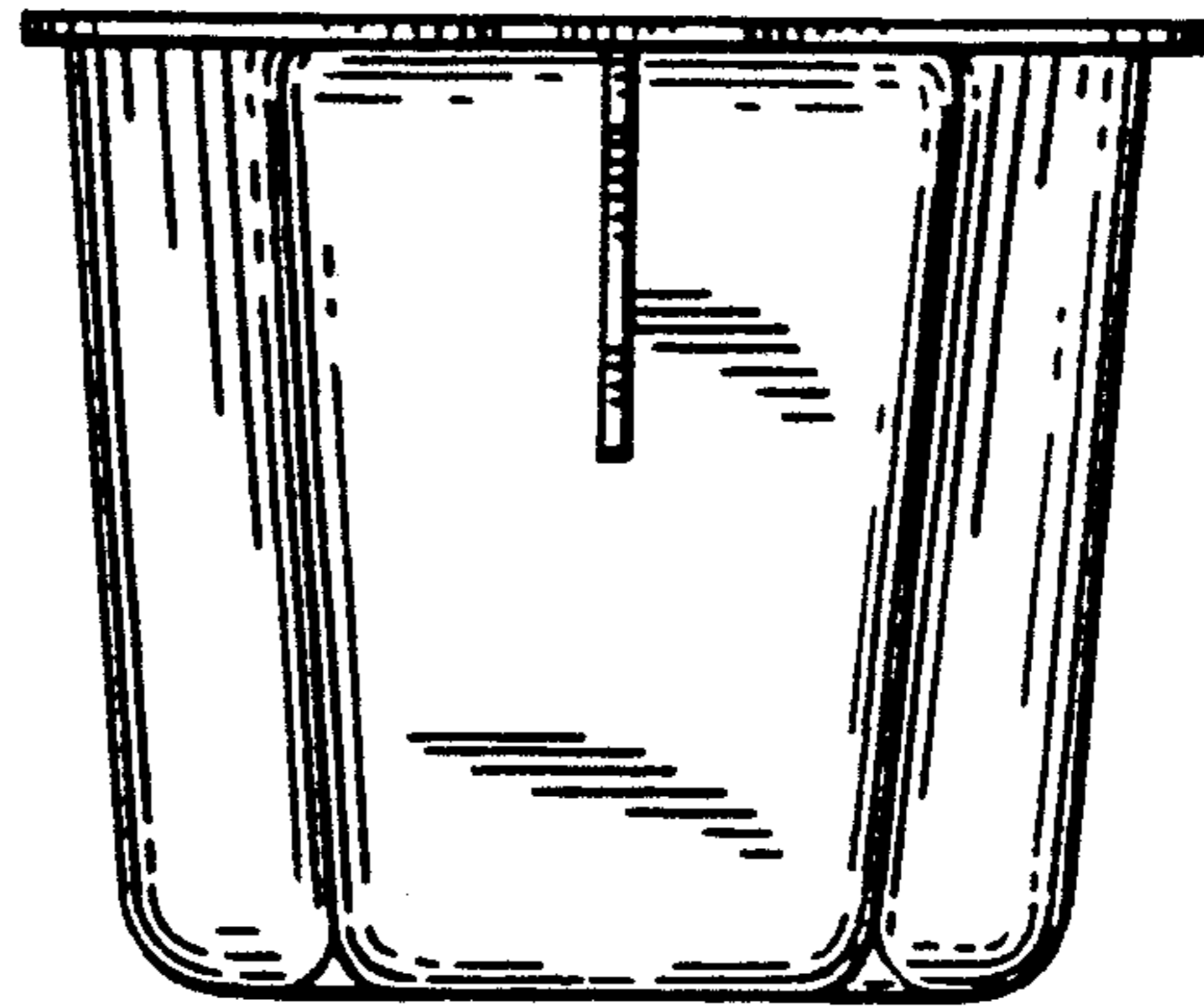


FIG. 6

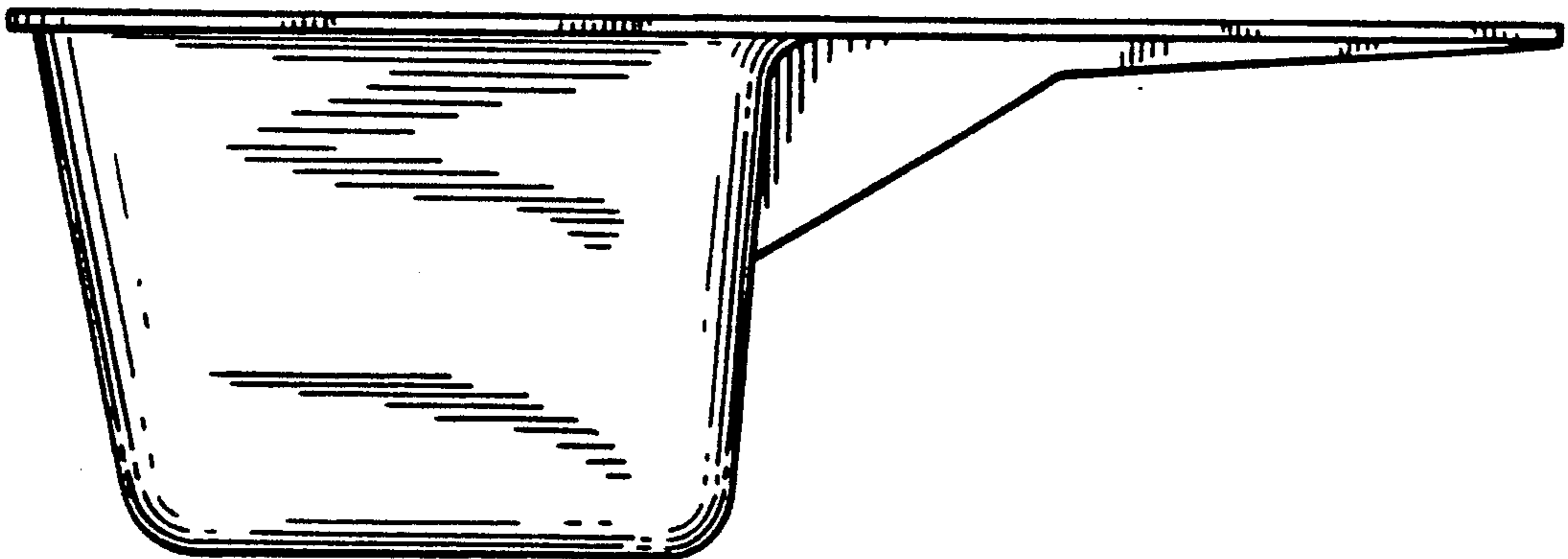


FIG. 7

