

# United States Patent [19]

Purkapile

[11] Patent Number: Des. 321,301

[45] Date of Patent: \*\* Nov. 5, 1991

## [54] COMBINED DRINK MIXER AND PITCHER

[75] Inventor: Emerson J. Purkapile, Chicago, Ill.

[73] Assignee: The Coca-Cola Company, Atlanta, Ga.

[\*\*] Term: 14 Years

[21] Appl. No.: 275,734

[22] Filed: Nov. 23, 1988

[52] U.S. Cl. .... D7/376; D7/317;  
D7/319

[58] Field of Search ..... D7/376, 379, 380, 415,  
D7/412, 316-319, 300, 305, 321, 312

## [56] References Cited

### U.S. PATENT DOCUMENTS

D. 181,143 10/1957 Gundelfinger ..... D7/376  
D. 188,432 7/1960 Reinecke ..... D7/305 X  
D. 303,904 10/1989 Wolfenden ..... D7/319 X  
D. 306,547 3/1990 Wolfenden ..... D7/319 X

## OTHER PUBLICATIONS

*Federal Tool Corp.*, flyer dated 5-9-1941, cover on bowl—Duo Whip Beater Blades—"Federal Whipper".

*Primary Examiner*—Winifred E. Herrmann  
*Attorney, Agent, or Firm*—Birch, Stewart, Kolasch & Birch

## [57] CLAIM

The ornamental design for a combined drink mixer and pitcher, as shown and described.

## DESCRIPTION

FIG. 1 is a top, front, and right side perspective view of a combined drink mixer and pitcher showing my new design;

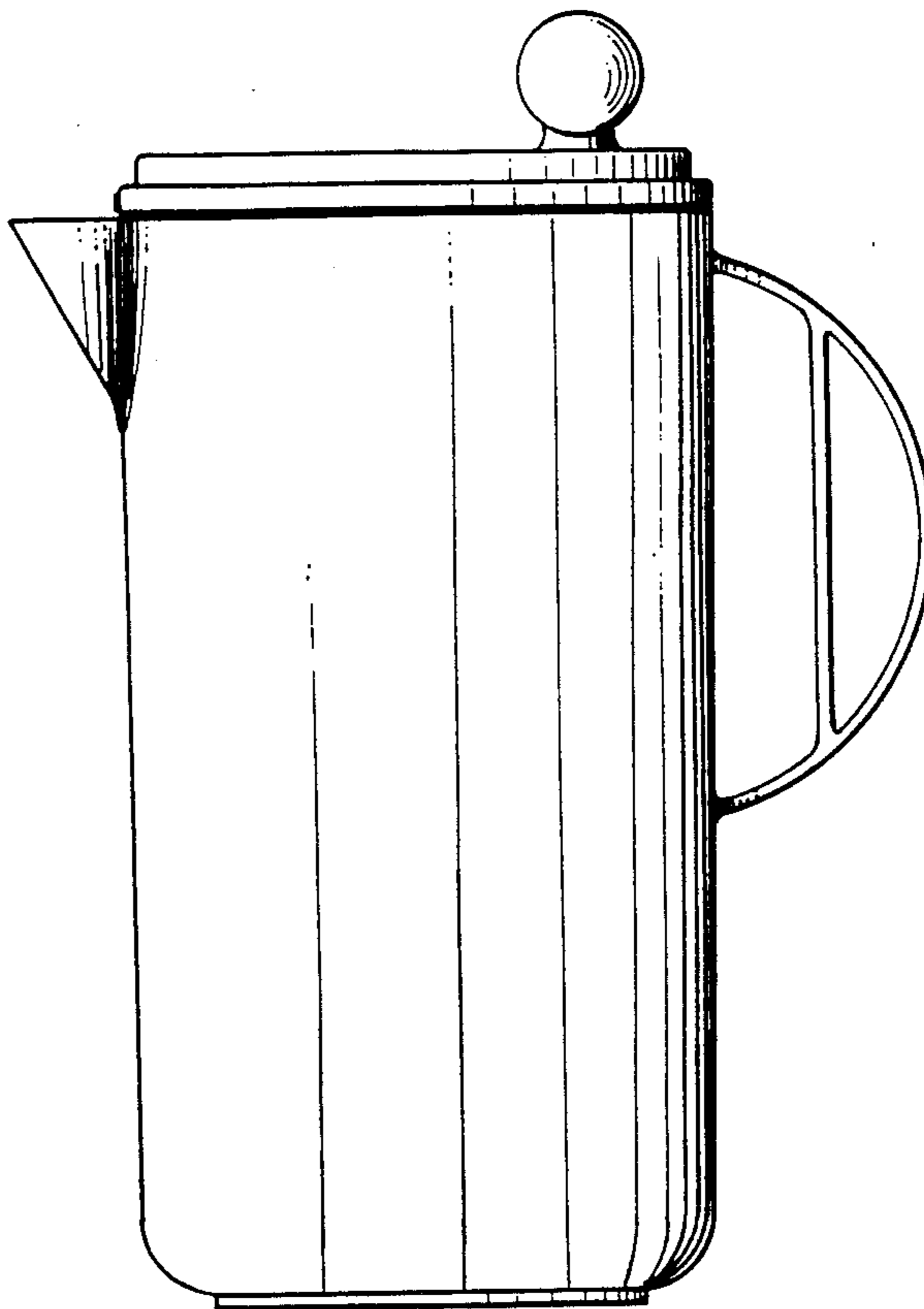
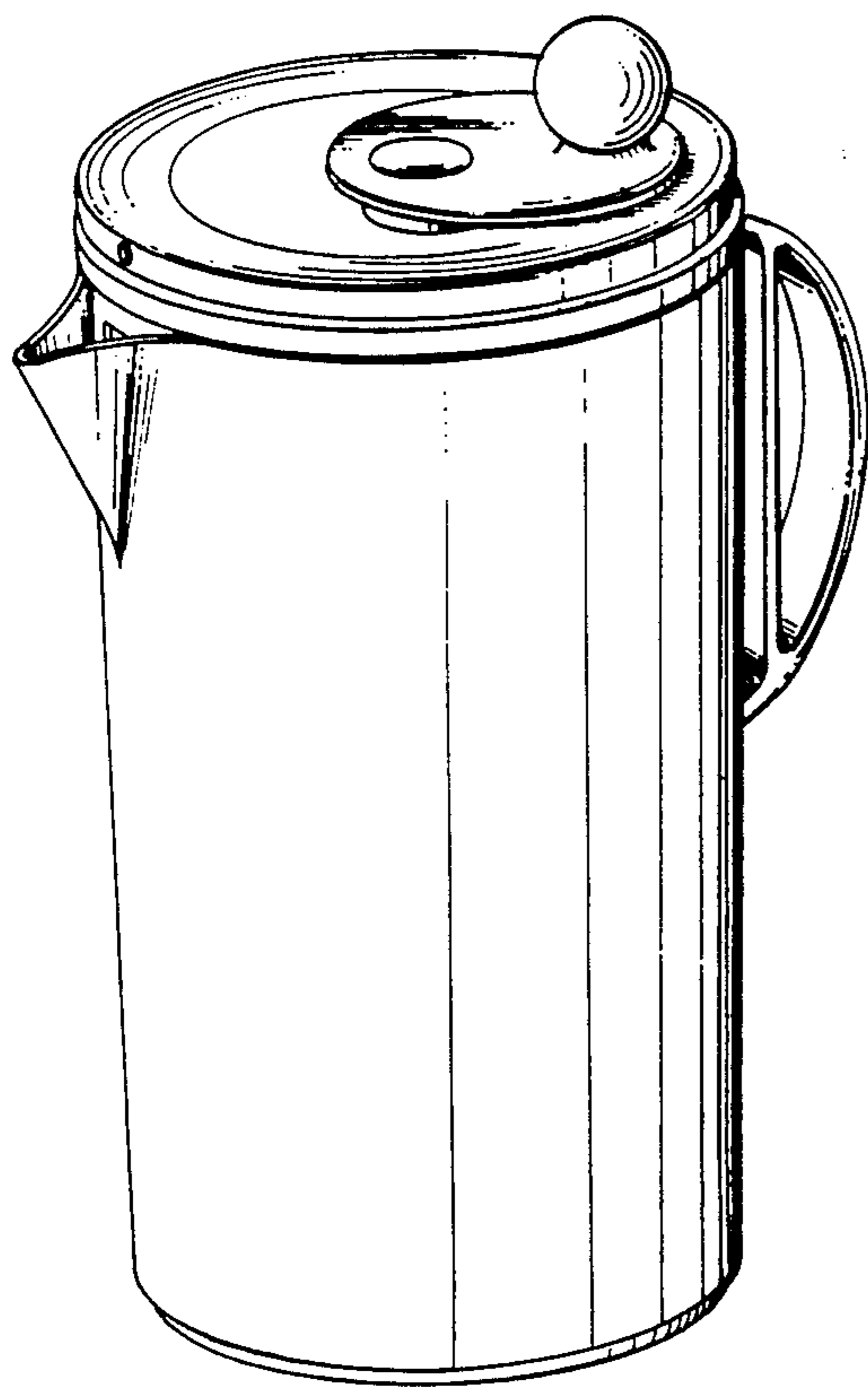
FIG. 2 is a right side elevational view thereof, the side opposite is a mirror image thereof;

FIG. 3 is a front elevational view thereof;

FIG. 4 is a rear elevational view thereof;

FIG. 5 is a top plan view thereof; and

FIG. 6 is a bottom plan view thereof.



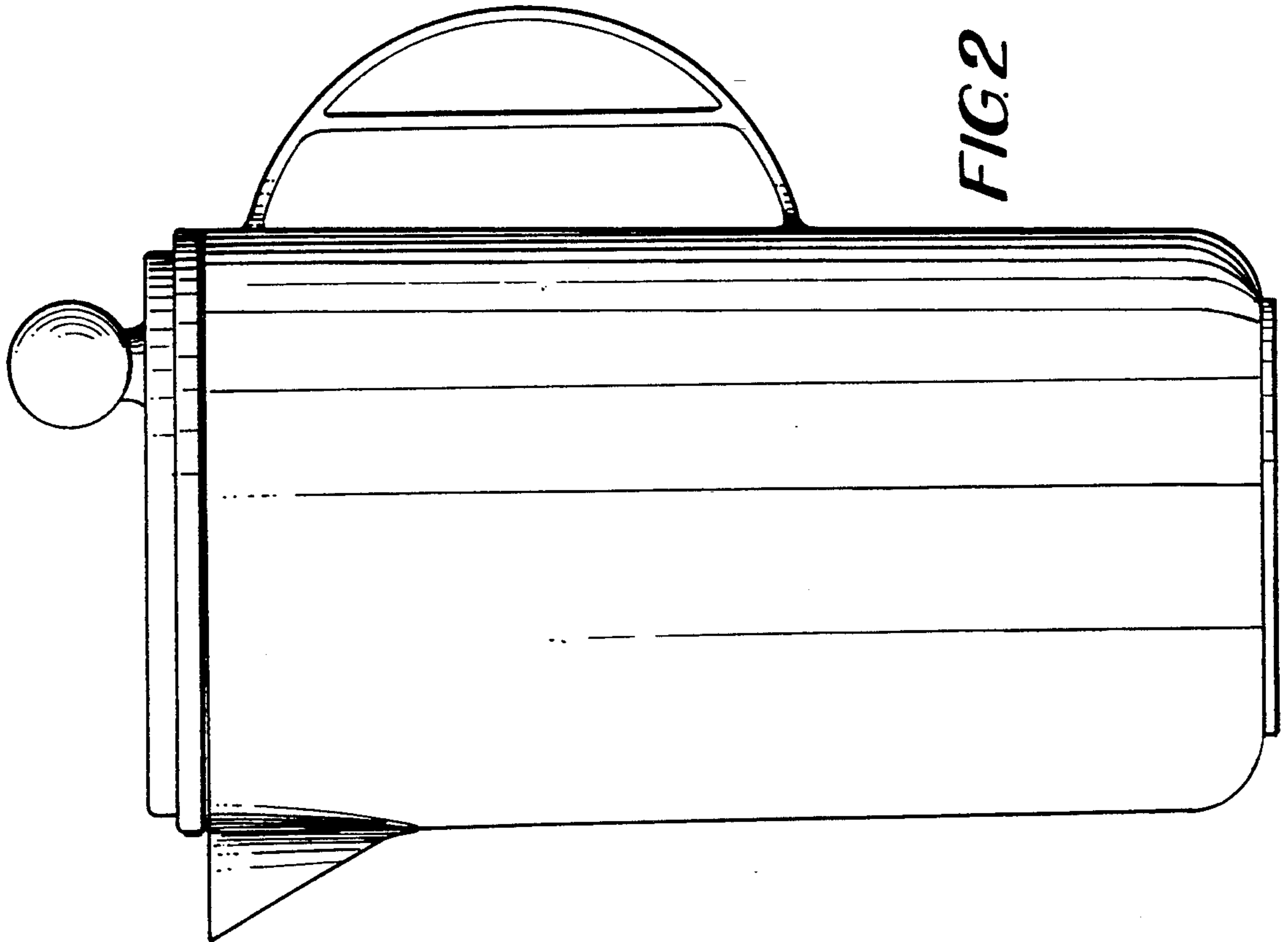


FIG. 2

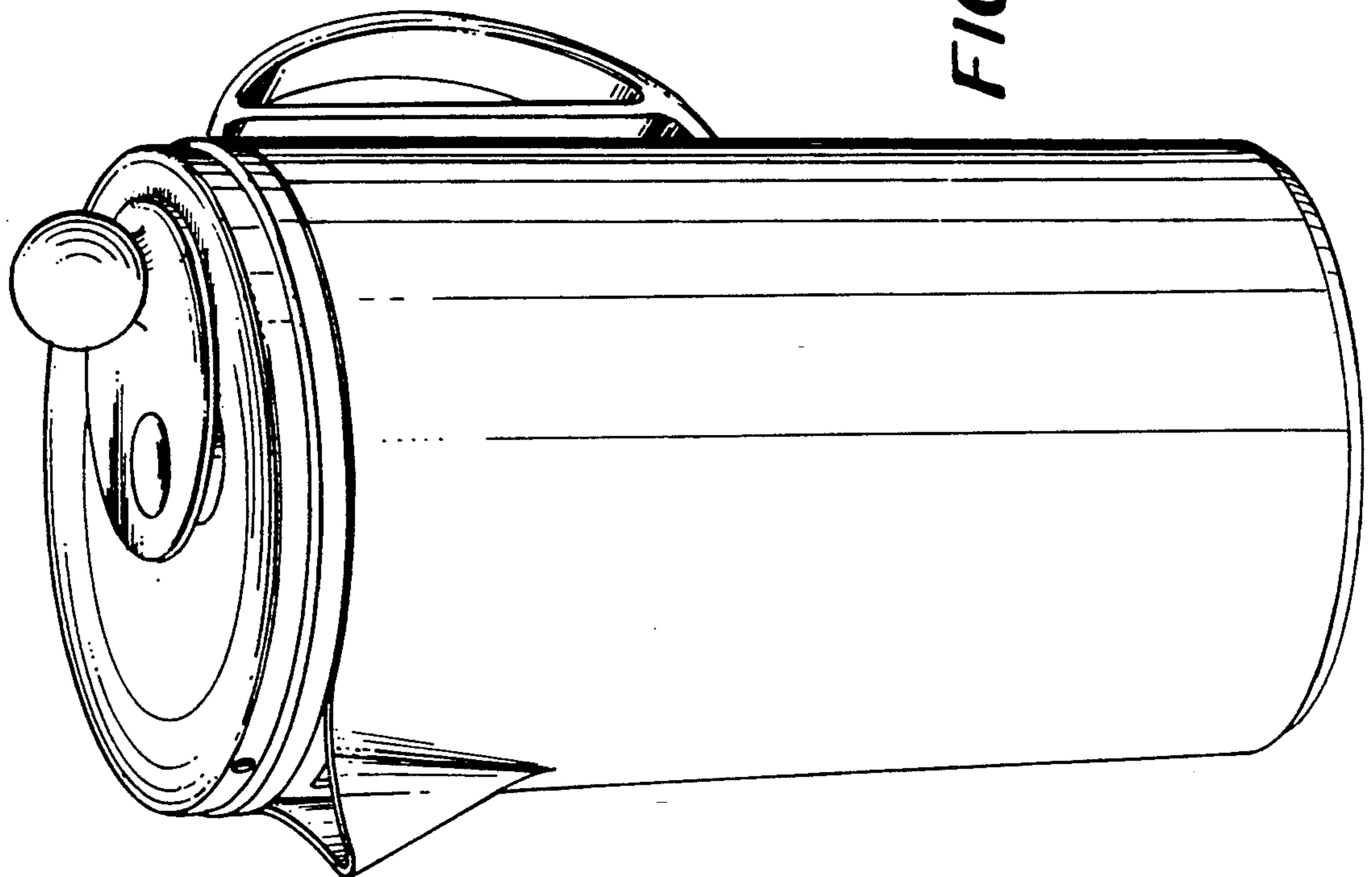


FIG. 1

FIG. 4

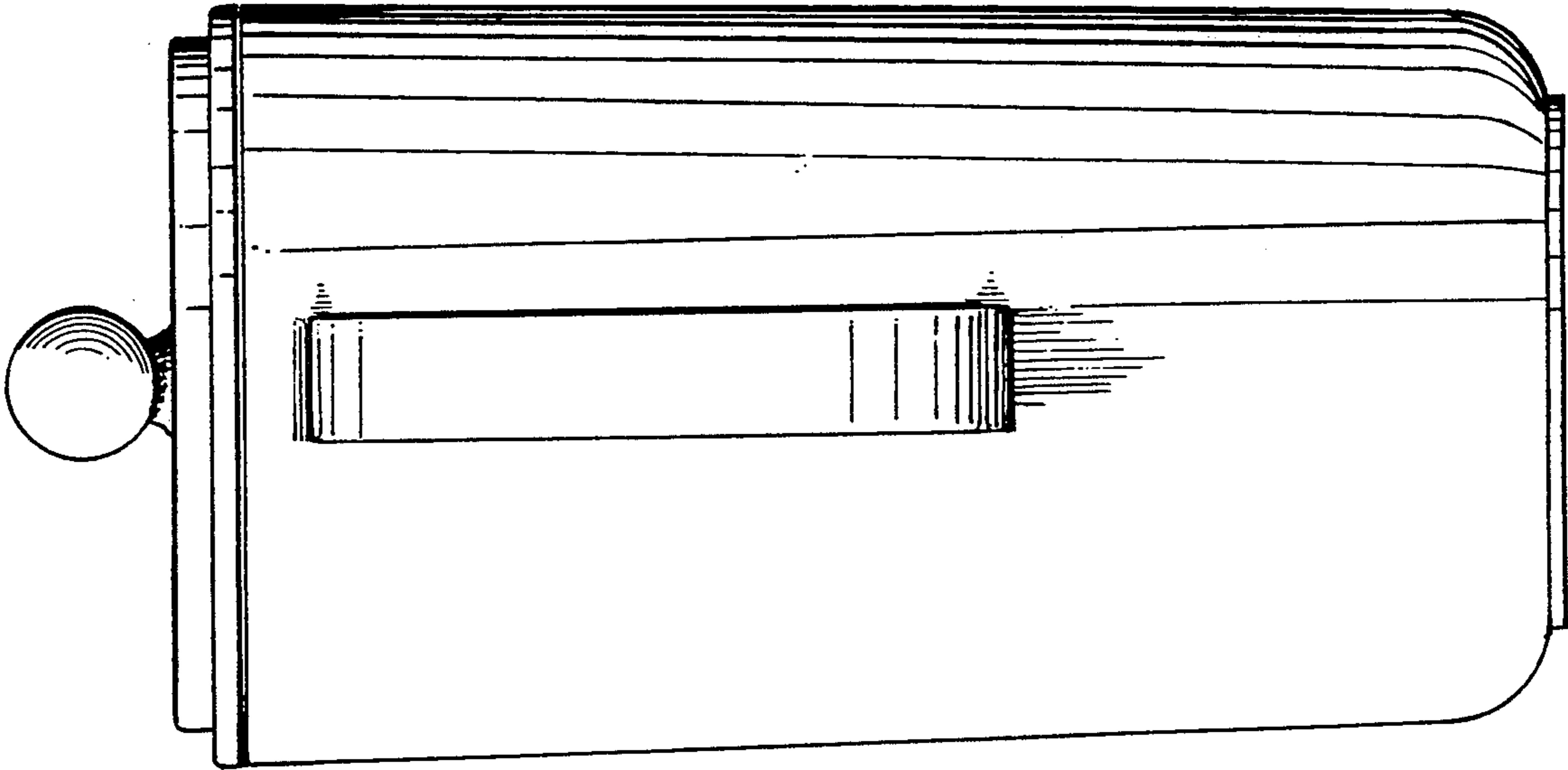
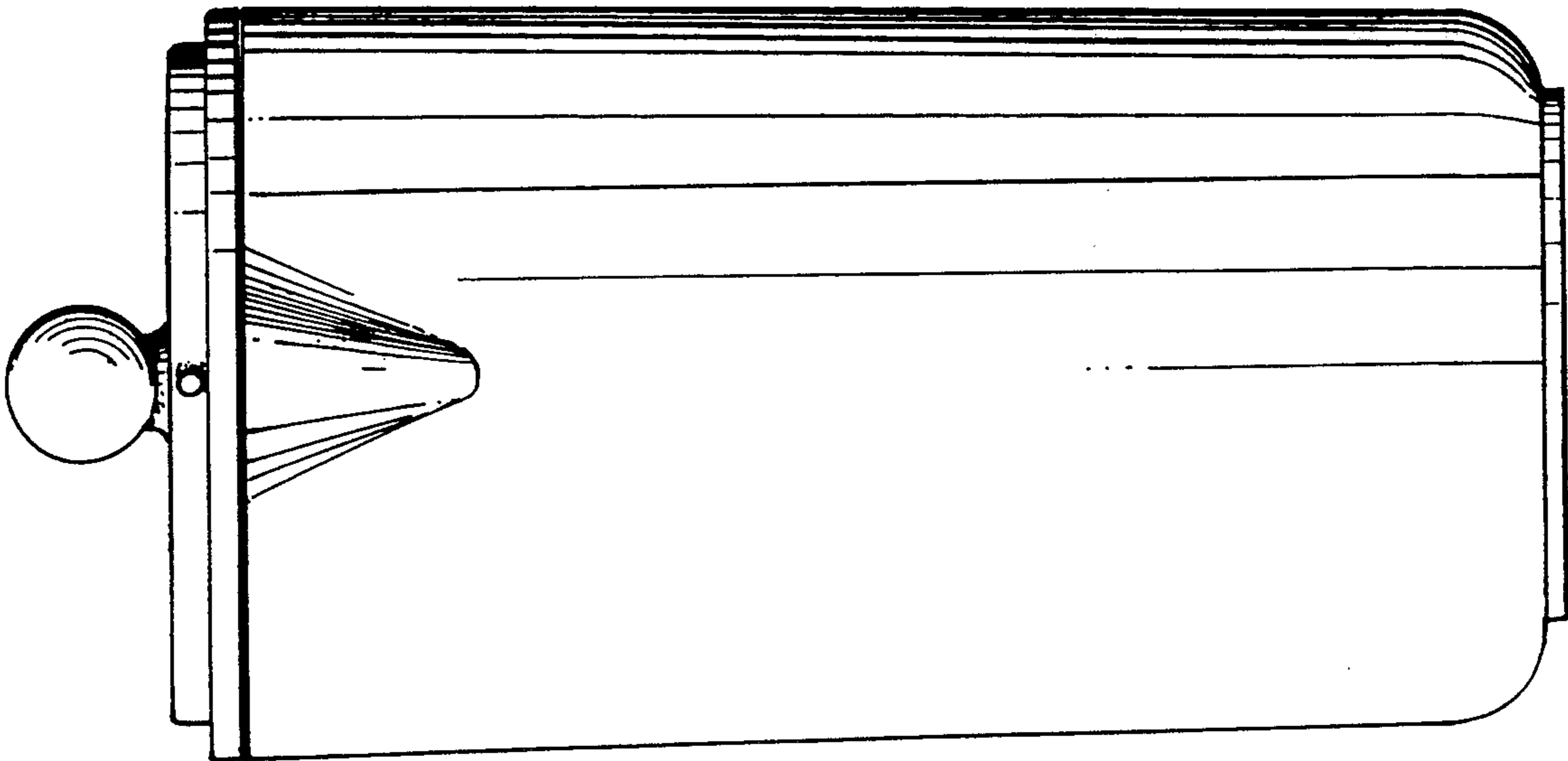
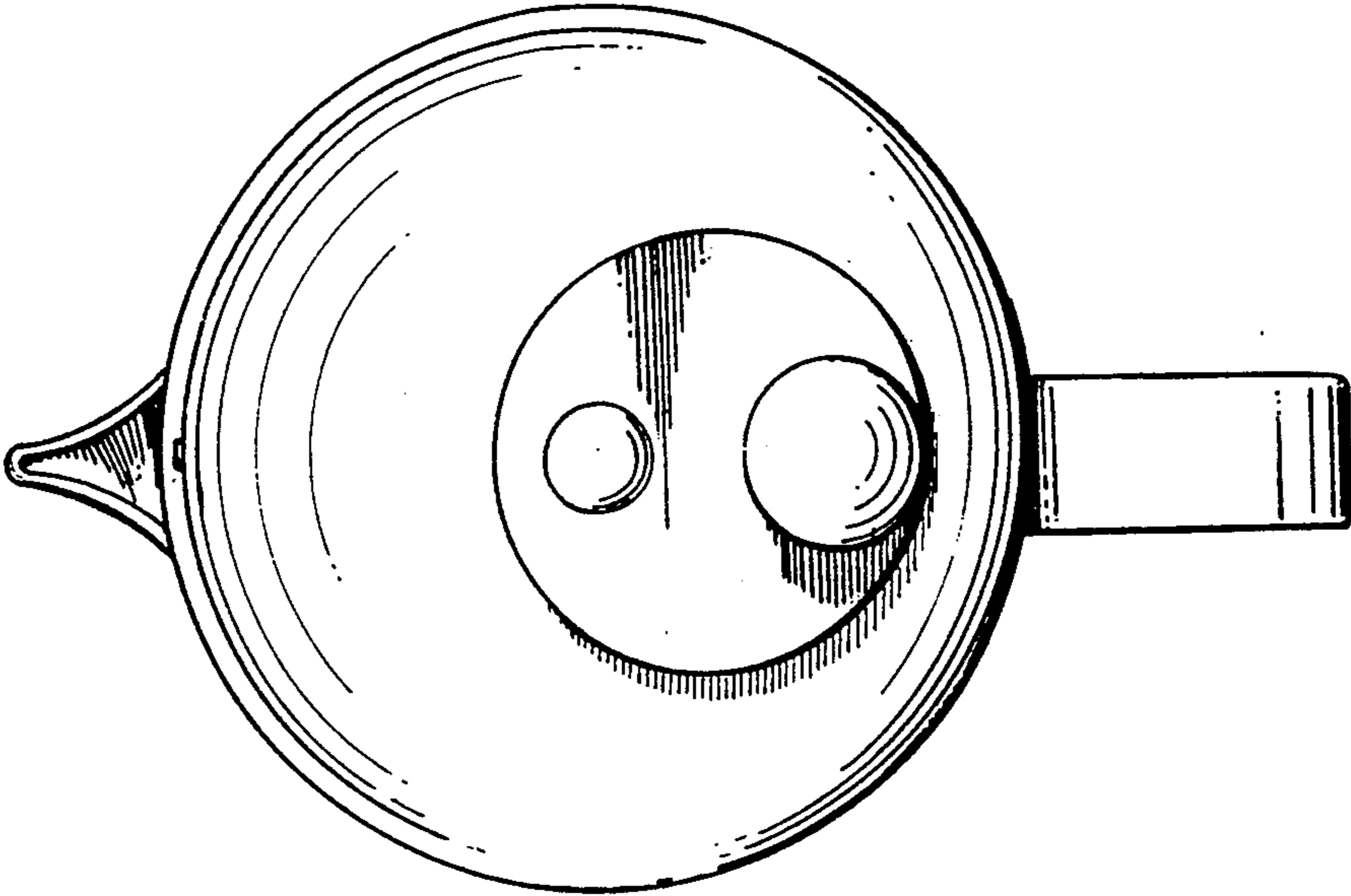
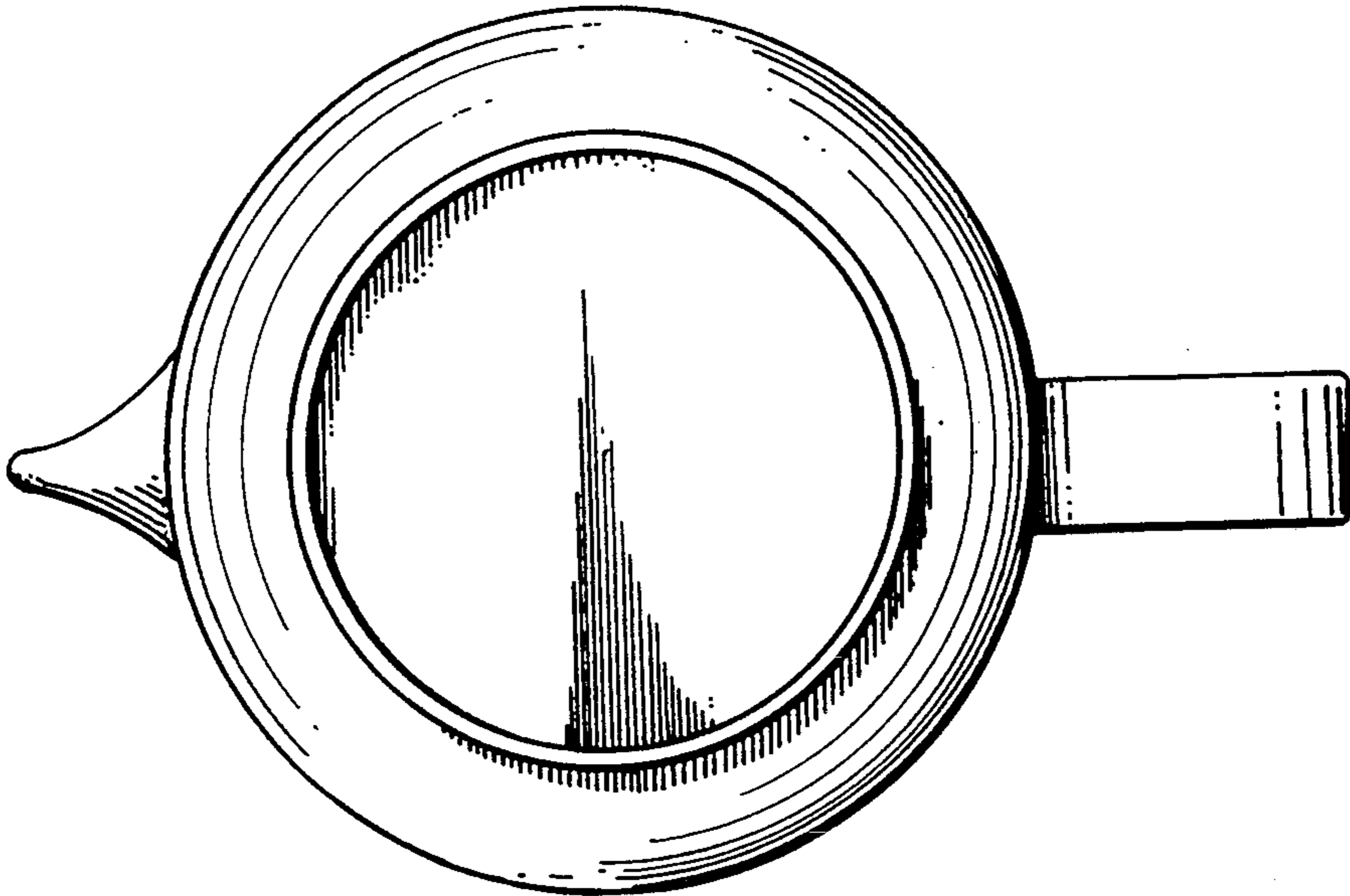


FIG. 3





**FIG. 5**



**FIG. 6**