

[54] PORTABLE TRAY

[76] Inventor: Stephen Postic, 1496 Pembroke St., Bridgeport, Conn. 06608

[\*\*] Term: 14 Years

[21] Appl. No.: 220,826

[22] Filed: Jul. 18, 1988

[52] U.S. Cl. .... D6/511; D6/406

[58] Field of Search ..... D3/40; D6/406, 420; D7/550; 297/153, 152; 211/126, 88, 148

[56] References Cited

U.S. PATENT DOCUMENTS

D. 260,341	8/1981	Harrison	.....	D6/487 X
D. 292,153	10/1987	Delaney, Sr.	.....	D6/406 X
1,305,463	6/1919	Harris	.....	297/152
3,320,949	5/1967	Hatfield	.....	297/153 X
3,706,105	12/1972	Nicholas et al.	.....	211/88 X
3,895,605	7/1975	Goldman	.....	211/88 X

OTHER PUBLICATIONS

PCV Pipe Furn. Catalog, ©1985, p. 116, top right panel, by Ed & Stevie Baldwin, from the Family Workshop.

Primary Examiner—Bruce W. Dunkins  
Assistant Examiner—Janice E. Seeger  
Attorney, Agent, or Firm—John R. Doherty

[57] CLAIM

The ornamental design for a portable tray, as shown and described.

DESCRIPTION

FIG. 1 is a perspective view of a portable tray, showing my new design;  
FIG. 2 is a side elevational view, the opposite side being a mirror image thereof;  
FIG. 3 is a top plan view;  
FIG. 4 is a front elevational view;  
FIG. 5 is a bottom plan view; and  
FIG. 6 is a rear elevational view.

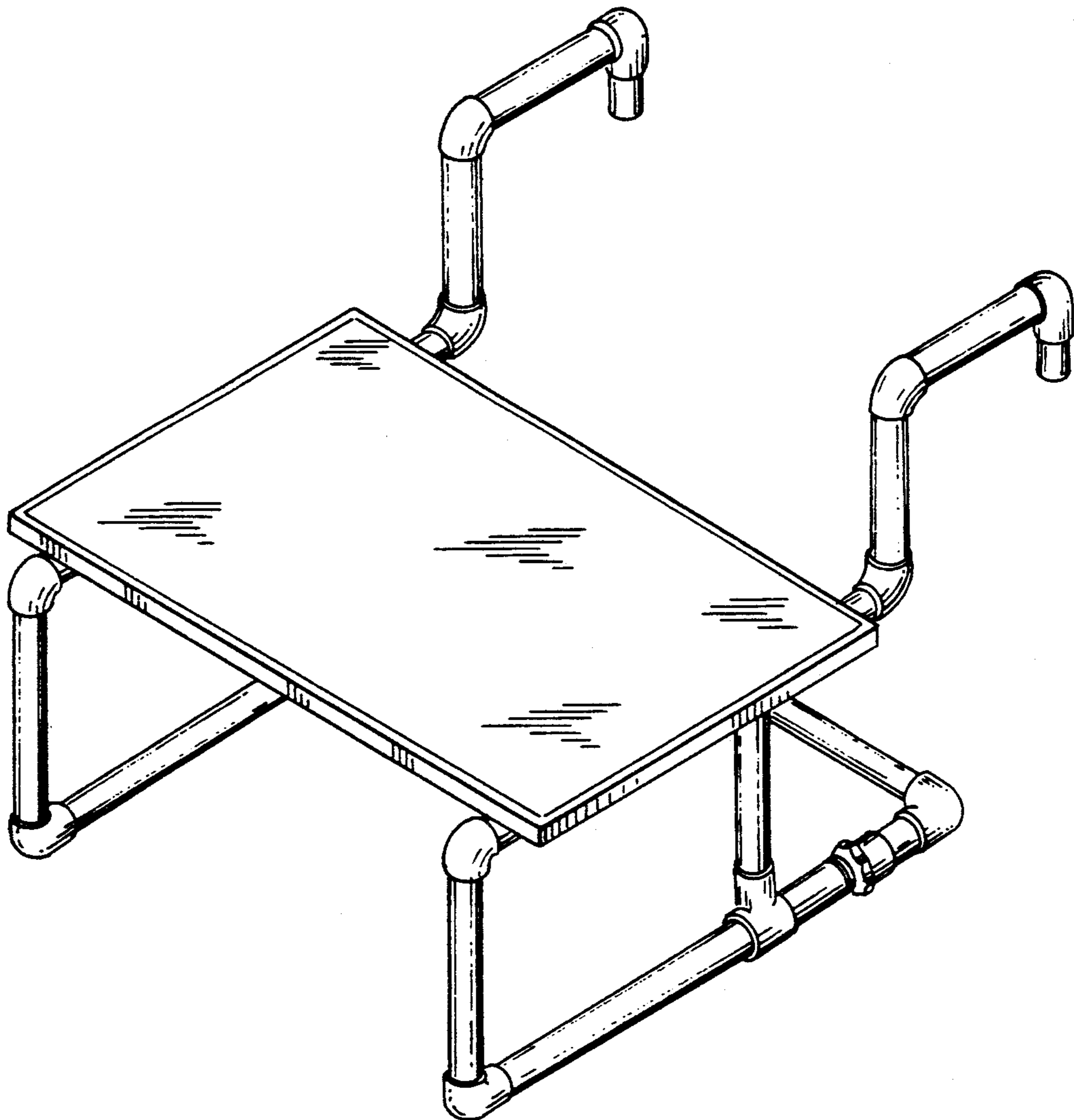


FIG. 1

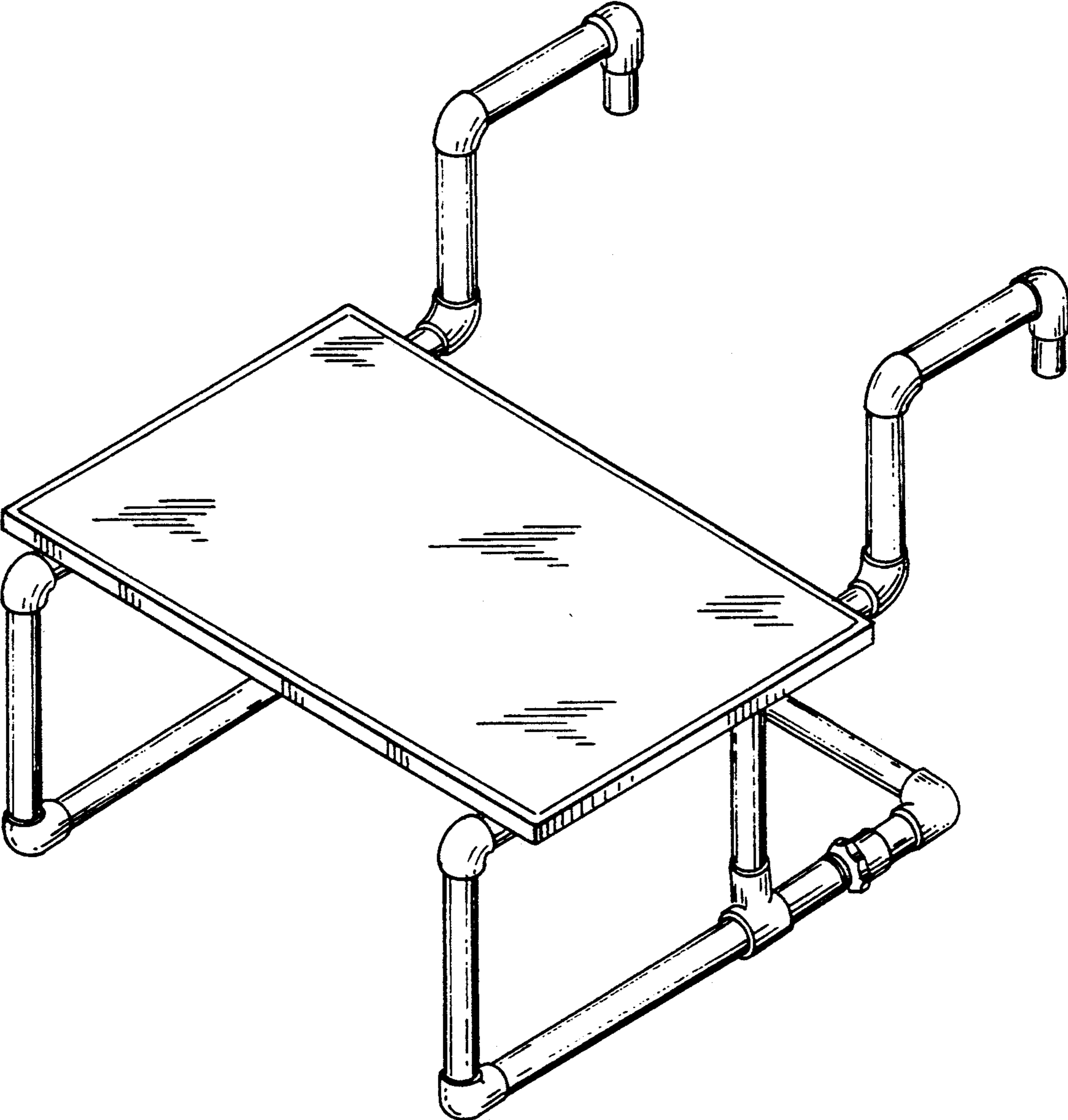


FIG. 2

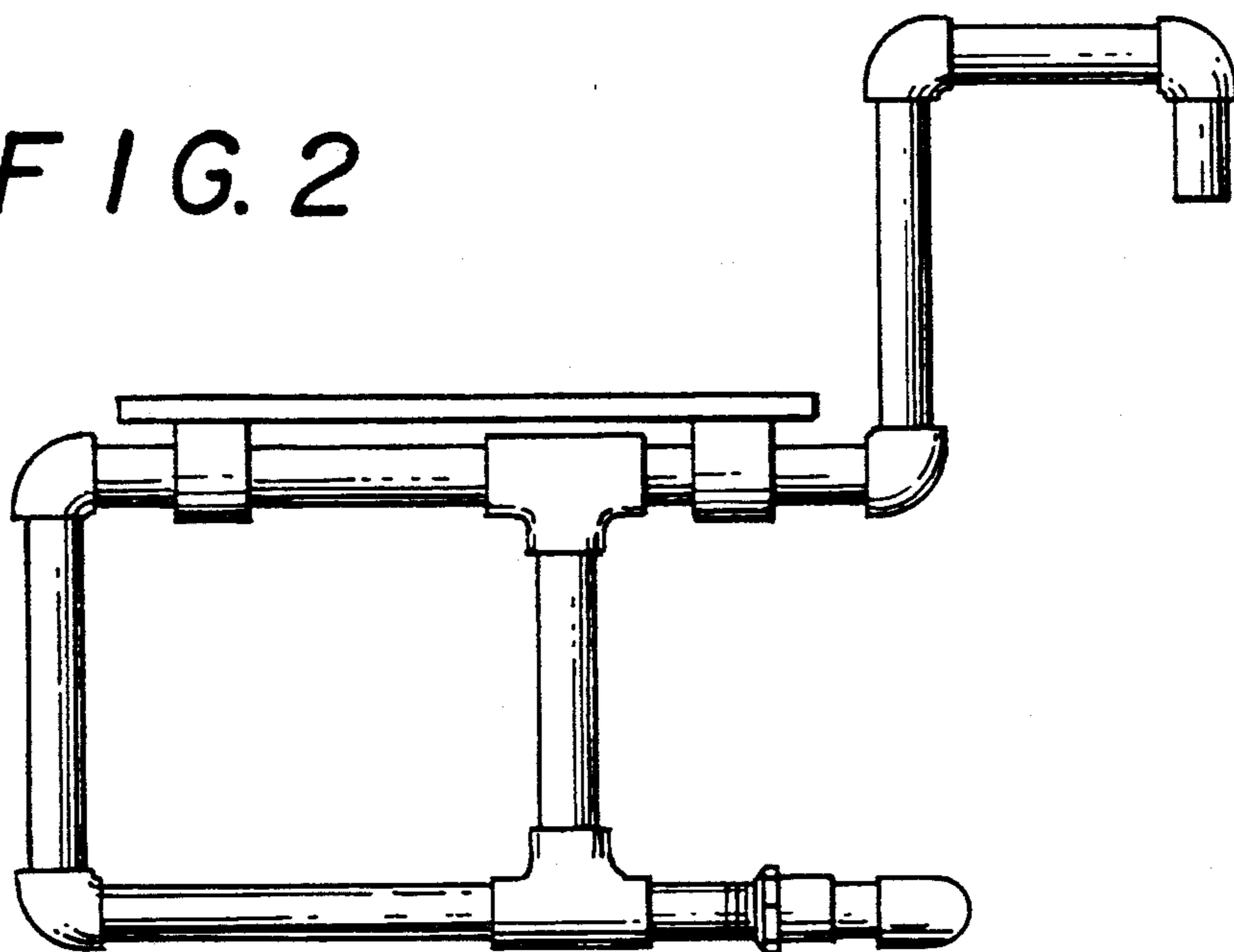
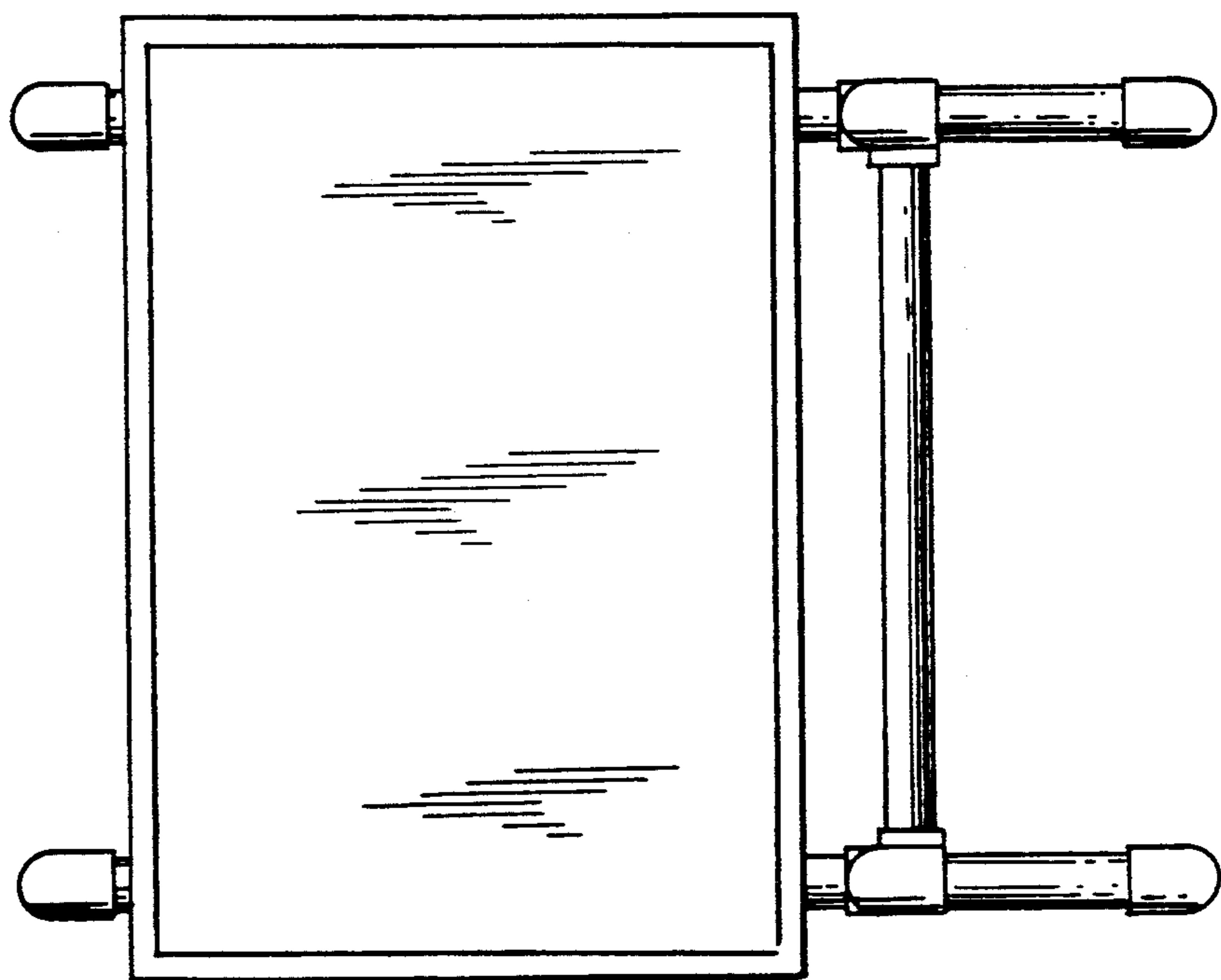
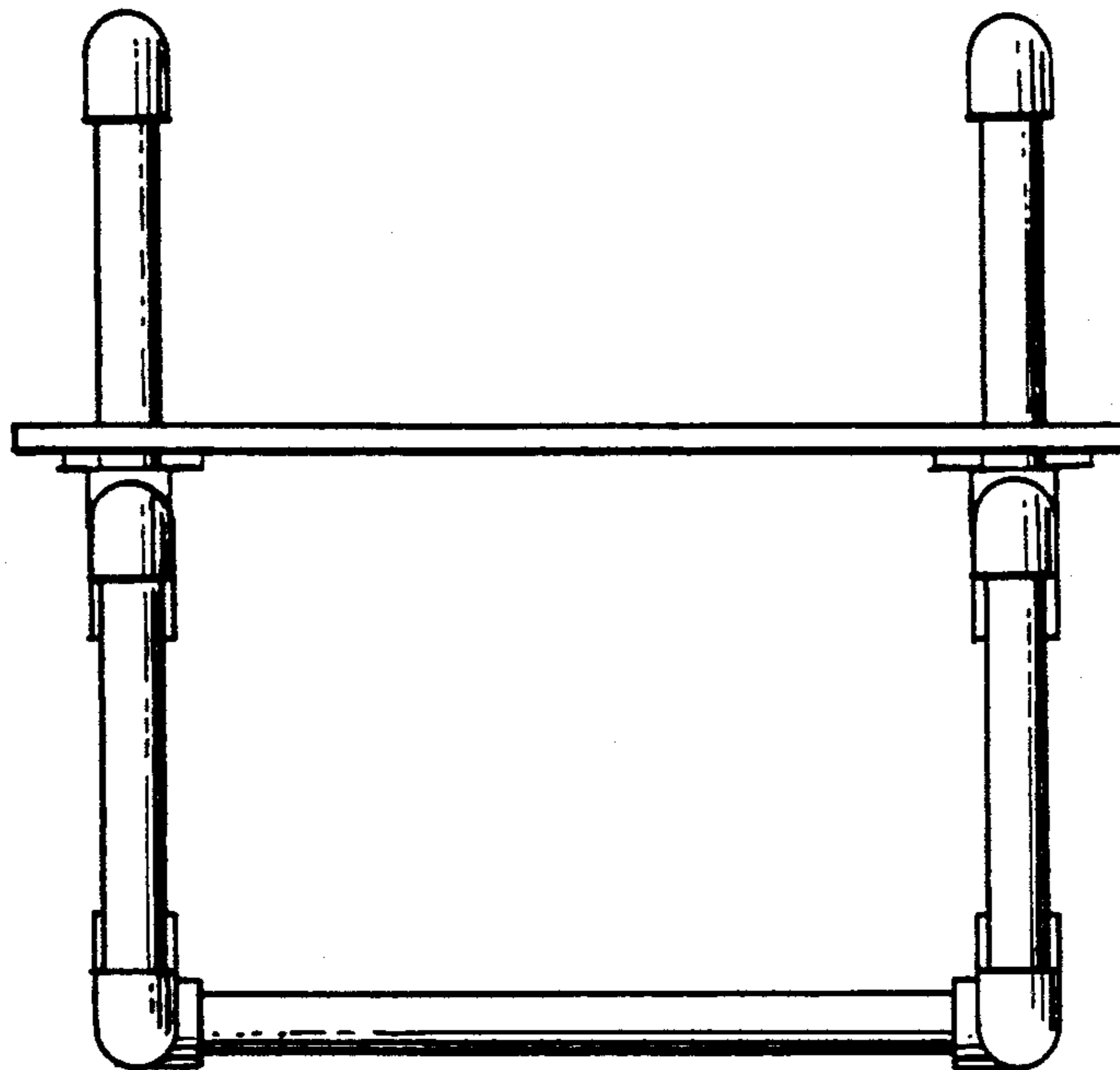


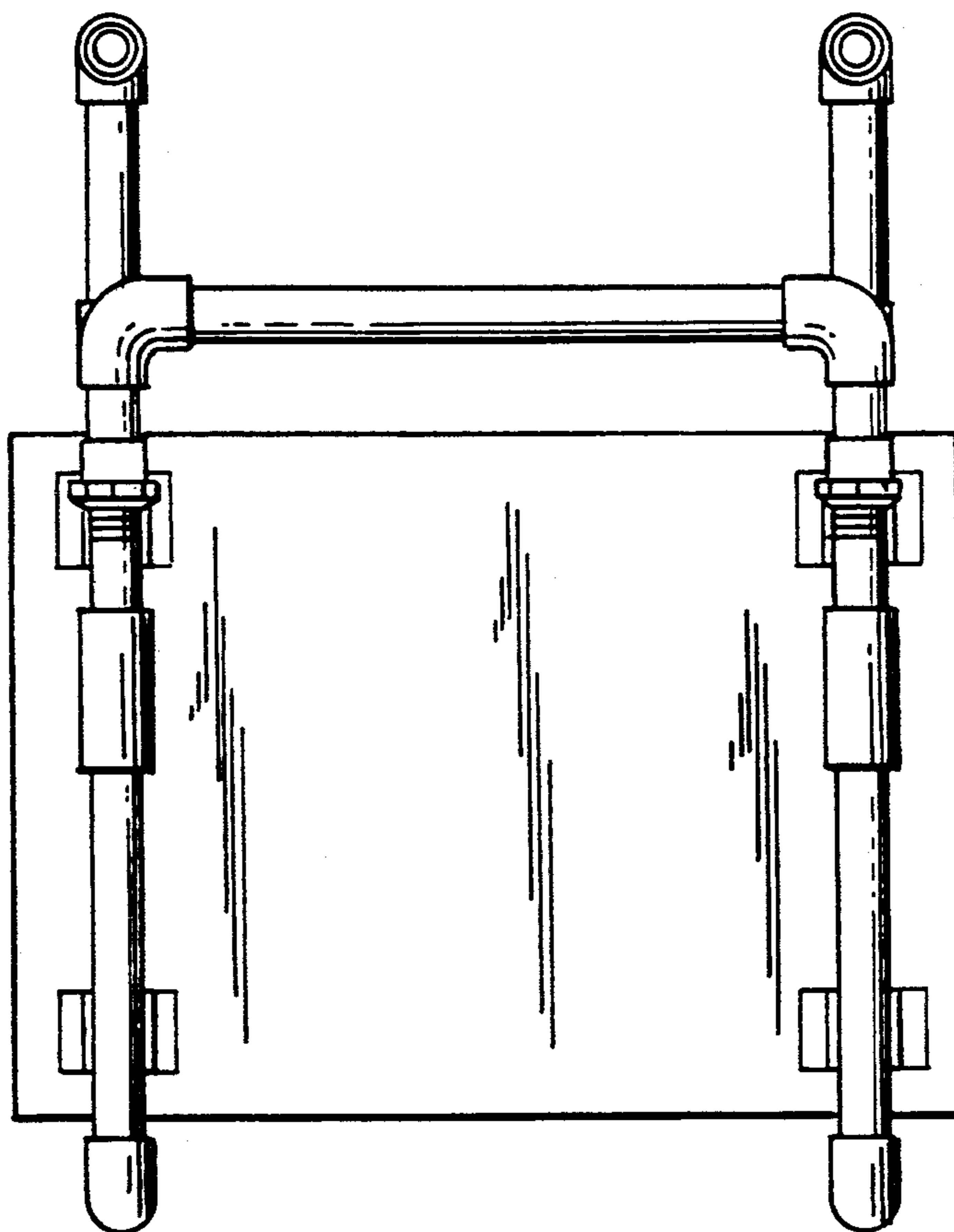
FIG. 3

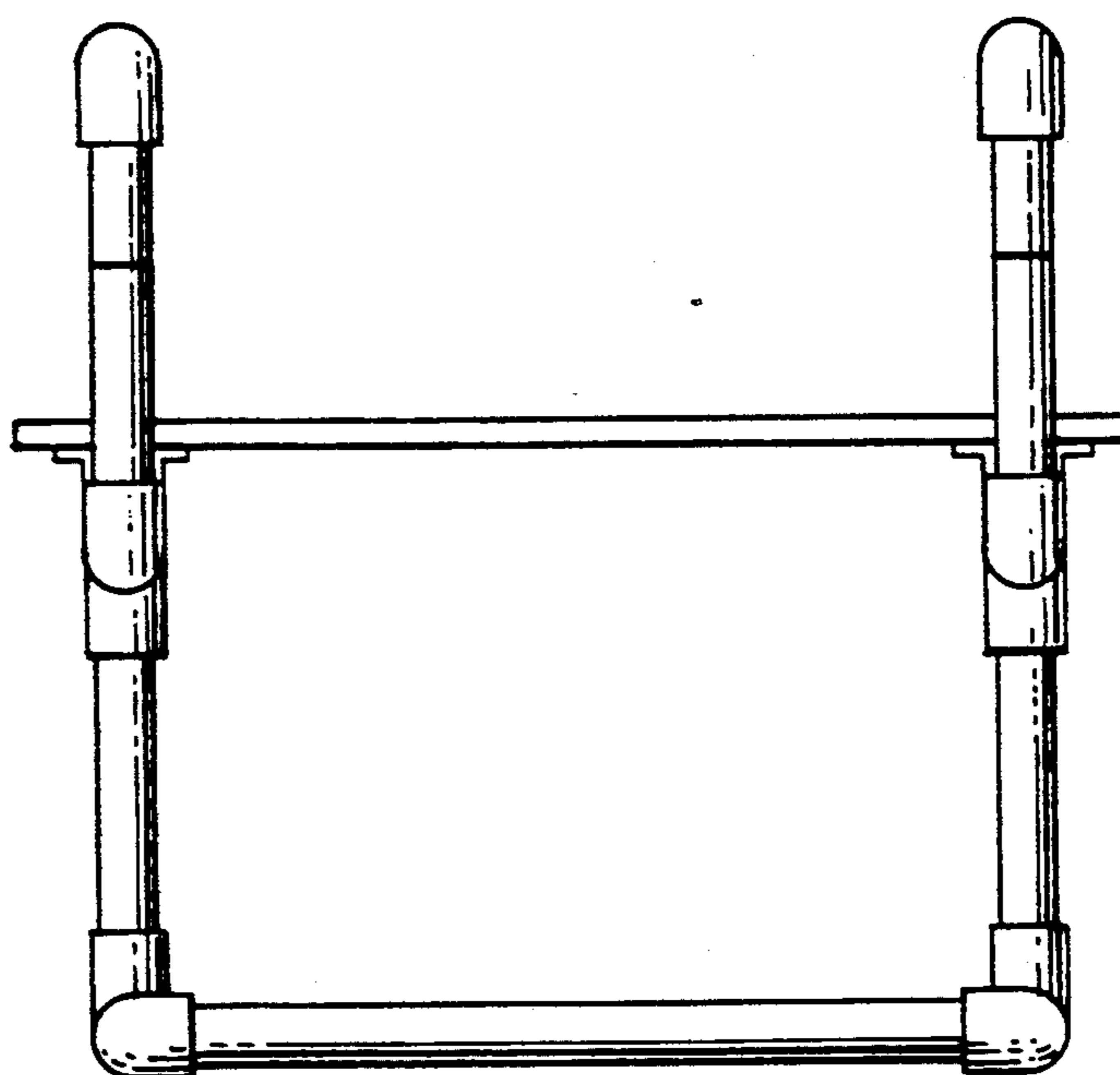


*FIG. 4*



*FIG. 5*





*FIG. 6*