

United States Patent [19]

Caruso et al.

[11] Patent Number: **Des. 321,299**

[45] Date of Patent: **** Nov. 5, 1991**

[54] CHAIR BASE

[75] Inventors: **Jerome C. Caruso**, Lake Forest, Ill.;
Christopher G. Estkowski, Coloma,
Mich.; **Lennard V. Lastuck**, Granger,
Ind.

[73] Assignee: **Shepherd Products U.S., Inc.**, St.
Joseph, Mich.

[*] Notice: The portion of the term of this patent
subsequent to Nov. 7, 2003 has been
disclaimed.

[**] Term: **14 Years**

[21] Appl. No.: **234,499**

[22] Filed: **Aug. 22, 1988**

[52] U.S. Cl. **D6/498**

[58] Field of Search **D6/495, 497-499,**
D6/366

[56] **References Cited**

U.S. PATENT DOCUMENTS

D. 238,646	2/1976	Schoblom	D6/498
D. 273,925	5/1984	Caruso	D6/498
D. 304,399	11/1989	Caruso et al.	D6/498
D. 312,011	11/1990	Caruso et al.	D6/498
4,529,247	7/1985	Stumpf et al.	D6/366

OTHER PUBLICATIONS

Industrial Design, Jan./Feb. 1982, p. 59, lower left base.

Primary Examiner—Bruce W. Dunkins
Assistant Examiner—Janice E. Seeger
Attorney, Agent, or Firm—Lee, Mann, Smith,
McWilliams & Sweeney

[57] **CLAIM**

The ornamental design for a chair base, as shown and
described.

DESCRIPTION

FIG. 1 is a side elevational view of a chair base showing
my new design;

FIG. 2 is a top plan view thereof; and

FIG. 3 is a bottom plan view thereof.

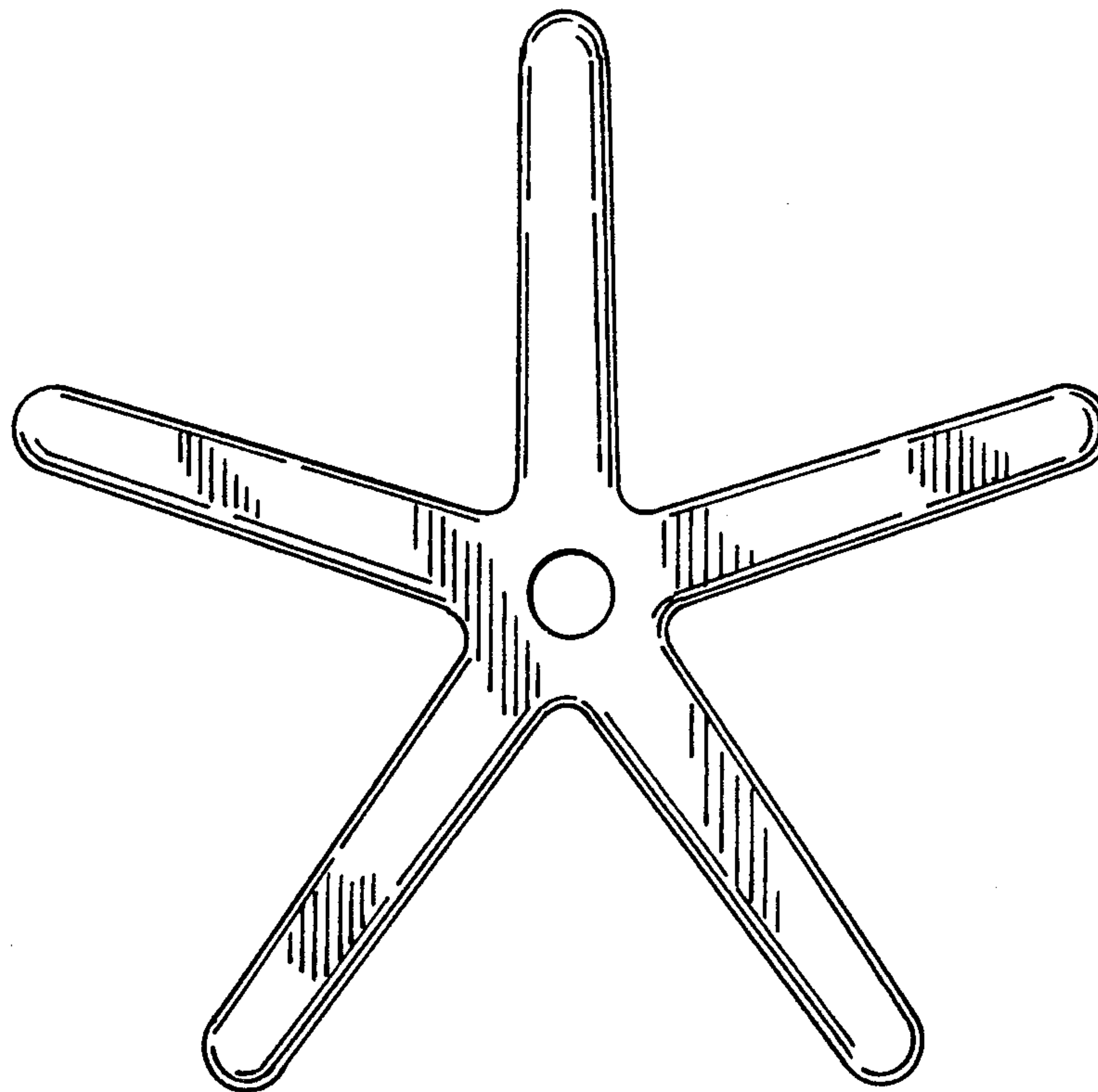


FIG. 1.



FIG. 2.

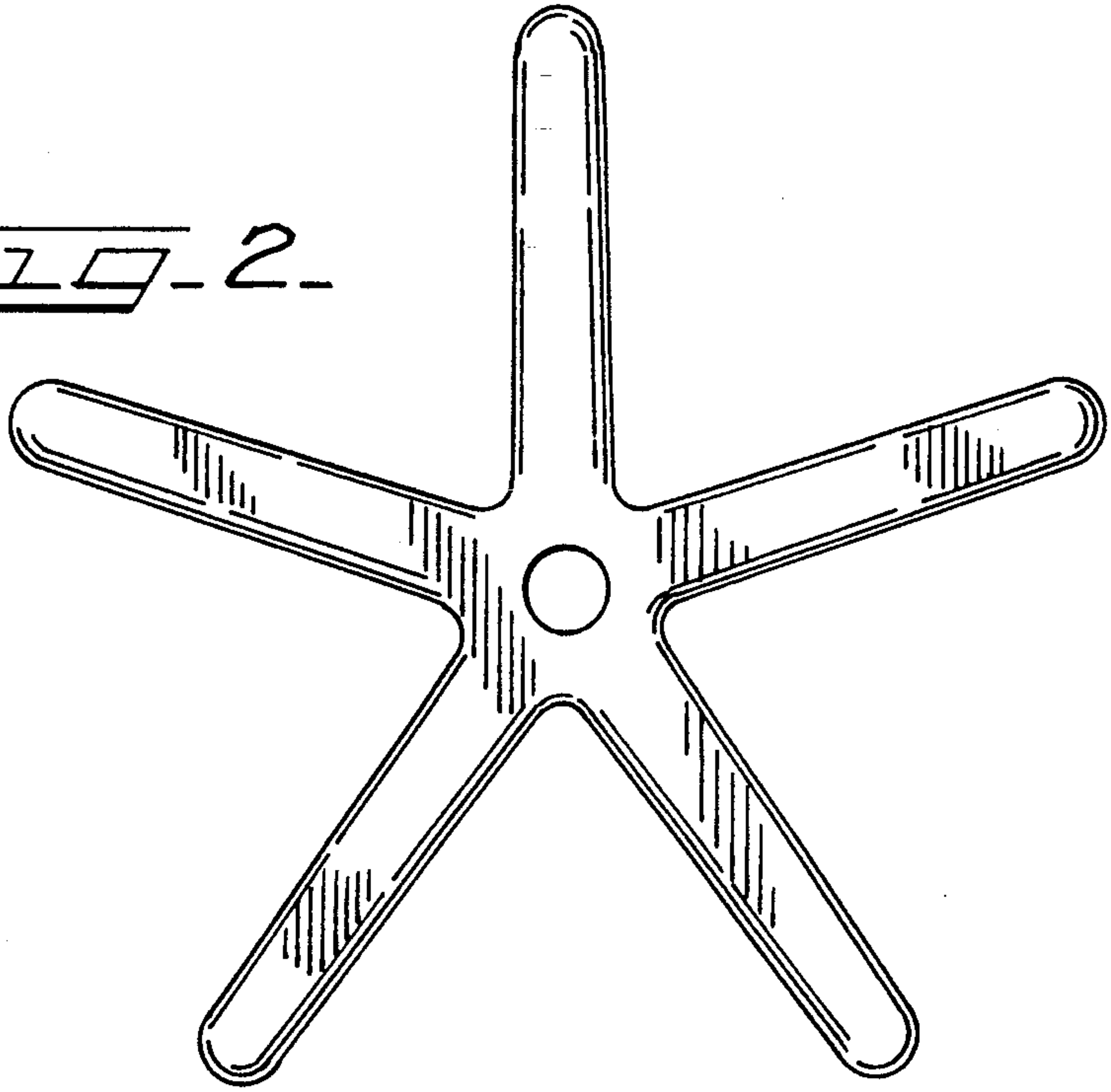


FIG. 3.

