

[54] TABLE BASE

[75] Inventor: Robert C. Winzeler, III, Fremont, Ind.

[73] Assignee: Design Institute of America, Jasper, Ind.

[**] Term: 14 Years

[21] Appl. No.: 314,594

[22] Filed: Feb. 23, 1989

[52] U.S. Cl. D6/495; D6/499

[58] Field of Search D6/480, 482-489, D6/495-499, 465

[56] References Cited

U.S. PATENT DOCUMENTS

D. 296,053 6/1988 Barber D6/484 X

OTHER PUBLICATIONS

Carson's, Teacart at left.

Carson's, Cocktail Table in front.

Brown-Jordan, ©1986, item C Sofa Table at lower left, p. 18.

Intrex. Omaha Seues Catalog, Console 25082, 2nd from top left.

Primary Examiner—Bruce W. Dunkins

Assistant Examiner—Janice E. Seeger

Attorney, Agent, or Firm—Marshall & Melhorn

[57] CLAIM

The ornamental design for a table base, as shown and described.

DESCRIPTION

FIG. 1 is a perspective view of a table base embodying my new design;

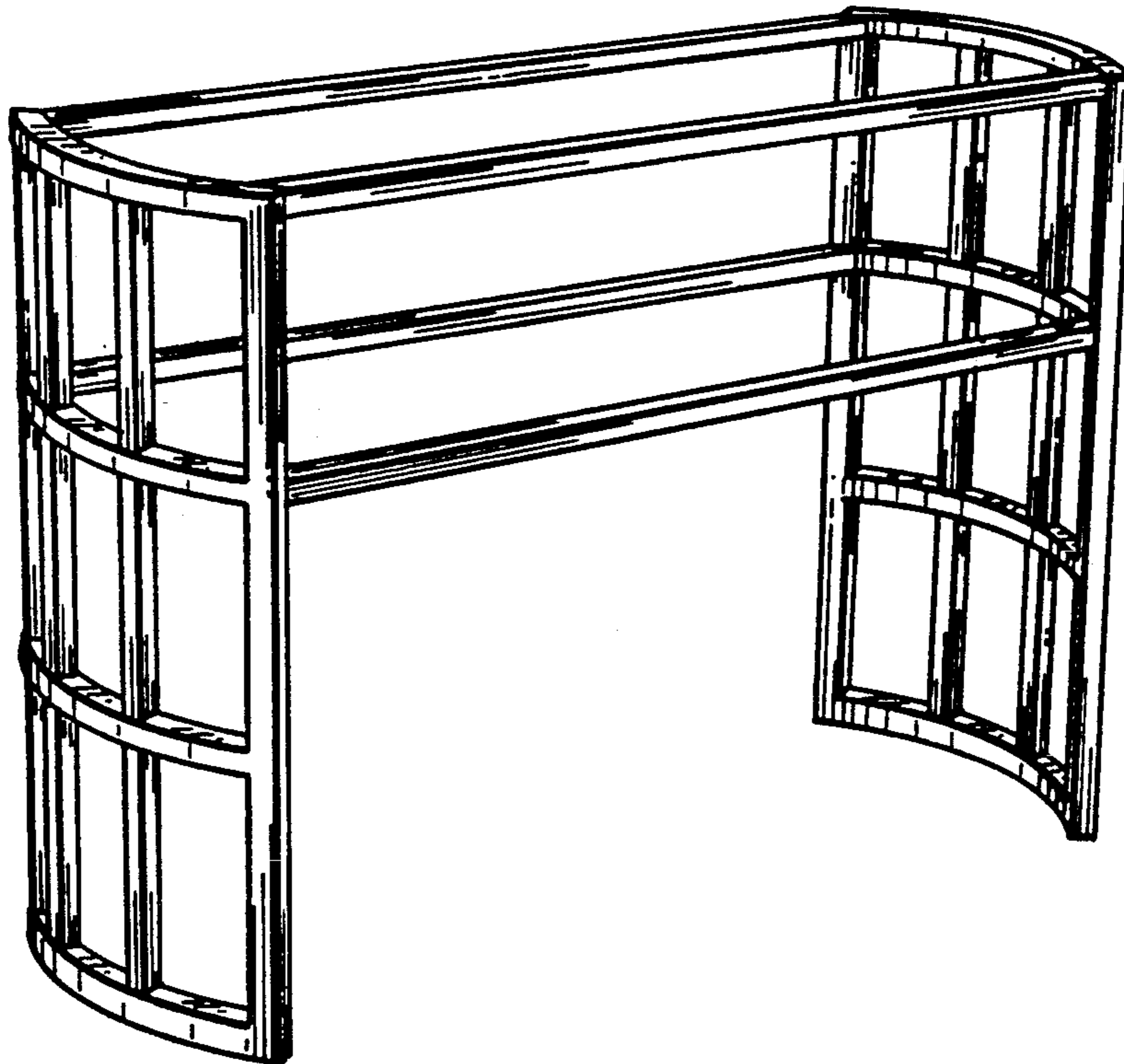
FIG. 2 is a side elevational view;

FIG. 3 is an end elevational view;

FIG. 4 is a top plan view thereof;

FIG. 5 is a bottom plan view thereof.

The side and end not shown are the same in appearance as the side and end shown.



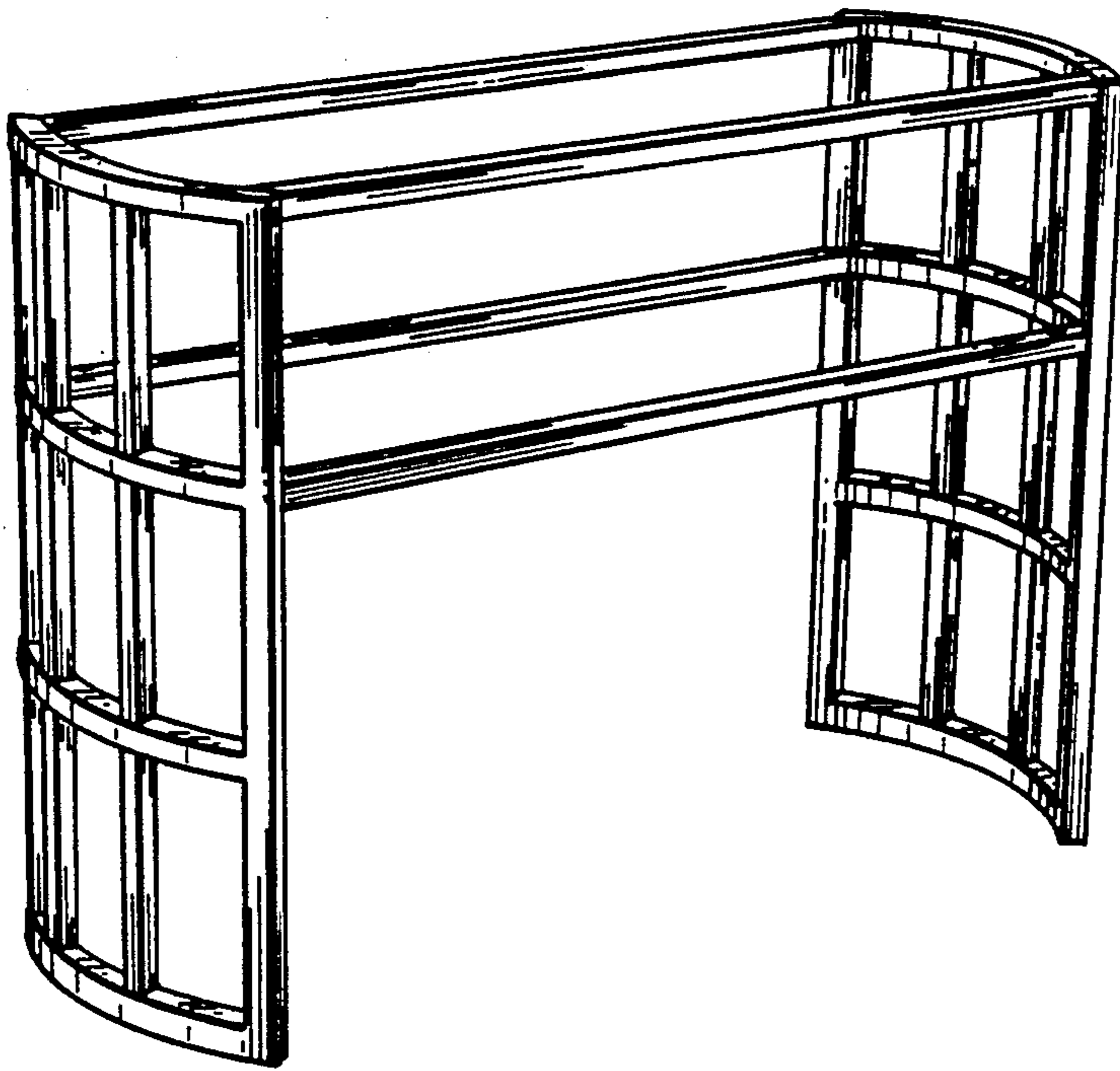


FIG. 1

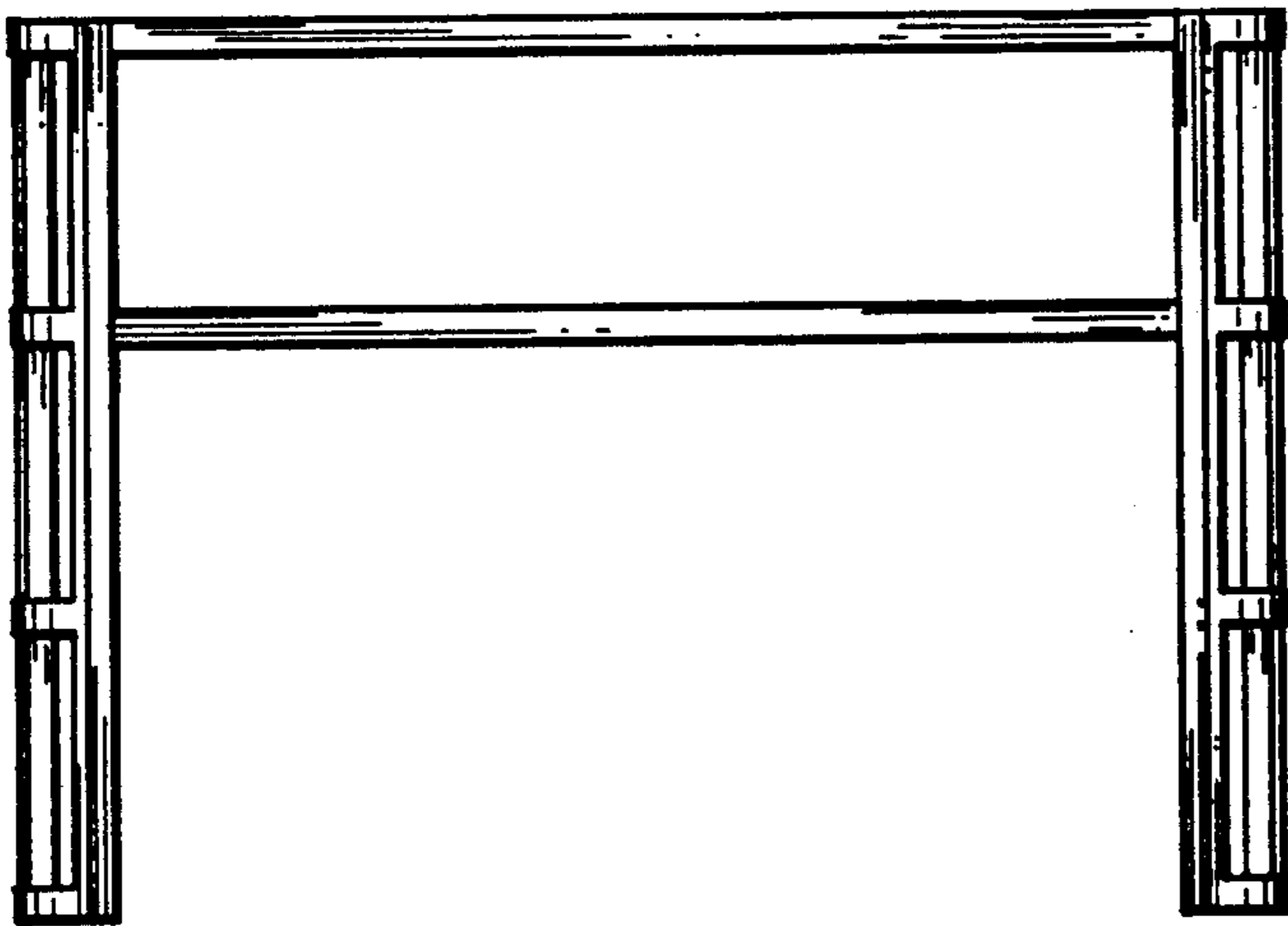


FIG. 2

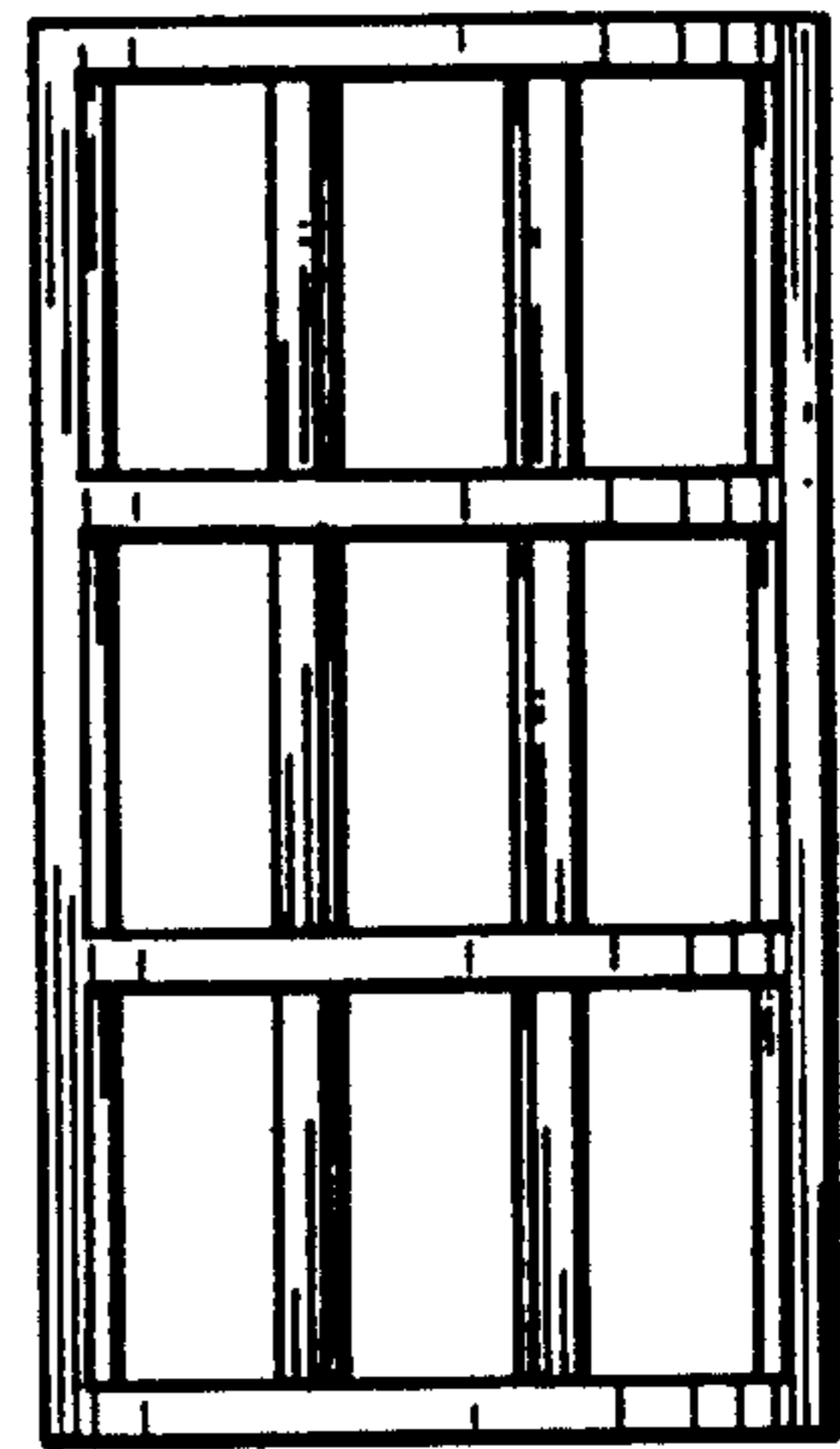


FIG. 3

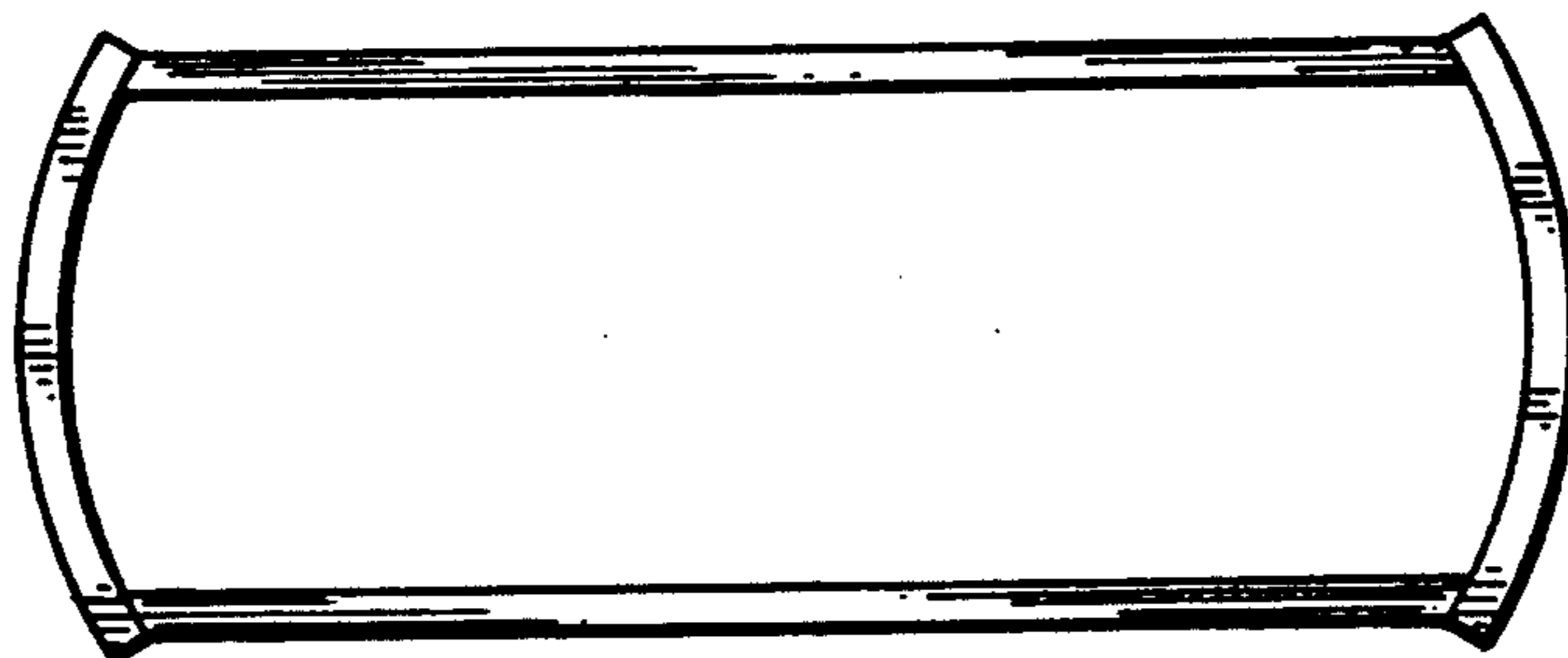


FIG. 4

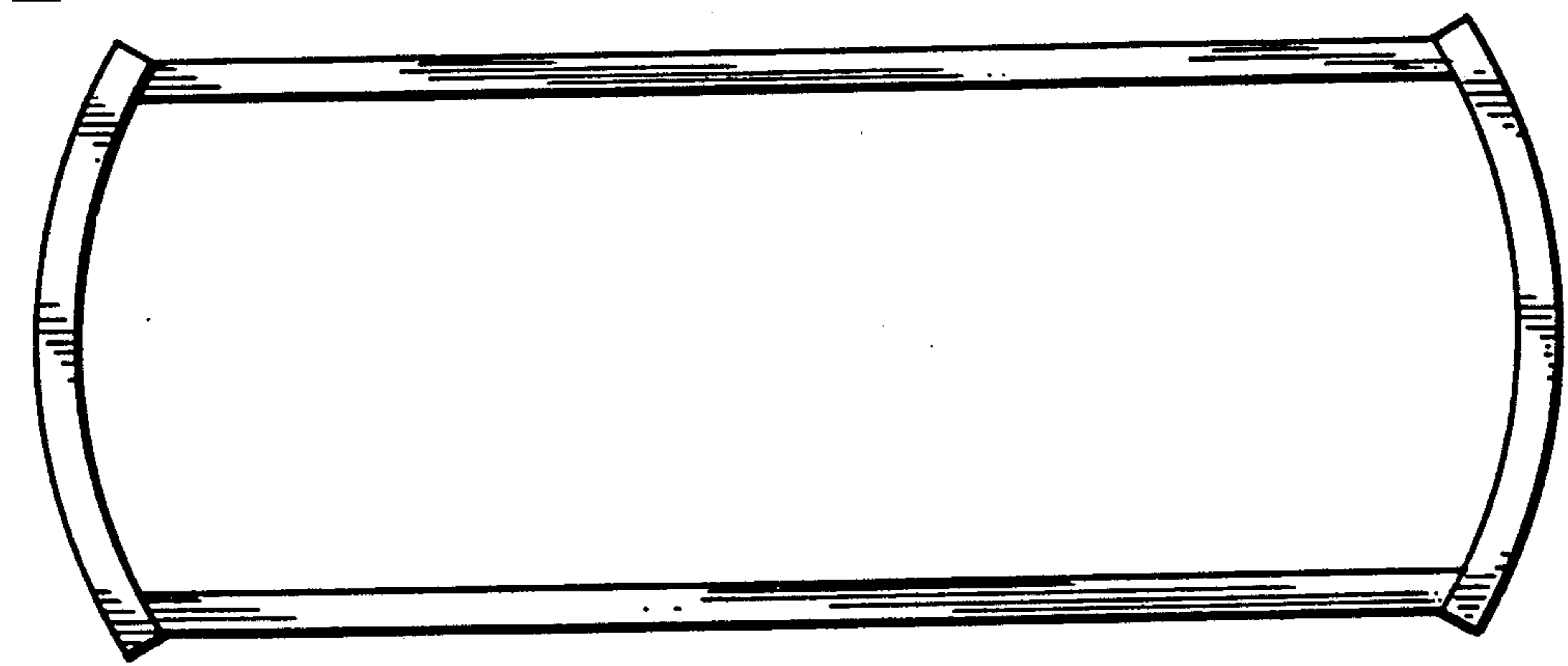


FIG. 5