

[54] DISPLAY STAND

[75] Inventor: Walter R. Miranda, Chicago, Ill.

[73] Assignee: RTC Industries, Inc., Chicago, Ill.

[**] Term: 14 Years

[21] Appl. No.: 180,274

[22] Filed: Apr. 11, 1988

[52] U.S. Cl. D6/461; D6/479

[58] Field of Search D6/399, 408, 449, 450,
D6/474, 476, 455-461, 477-479; 211/13, 186,
77, 78, 163, 134

[56] References Cited

U.S. PATENT DOCUMENTS

D. 51,055	7/1917	Board	D6/461
D. 106,185	9/1937	Erickson	D6/474
D. 237,432	11/1975	Taub	D6/461
D. 241,216	8/1976	Burrell	D6/479 X
D. 294,542	3/1988	Hill	D6/399
D. 304,398	11/1989	Goetz	D6/479
900,331	10/1908	Weston	211/186 X

4,574,709 3/1986 Lackey et al. 211/186 X

Primary Examiner—Bruce W. Dunkins
Assistant Examiner—Jeffrey Asch
Attorney, Agent, or Firm—Dressler, Goldsmith, Shore,
Sutker & Milnamow, Ltd.

[57] CLAIM

The ornamental design for a display stand, as shown and described.

DESCRIPTION

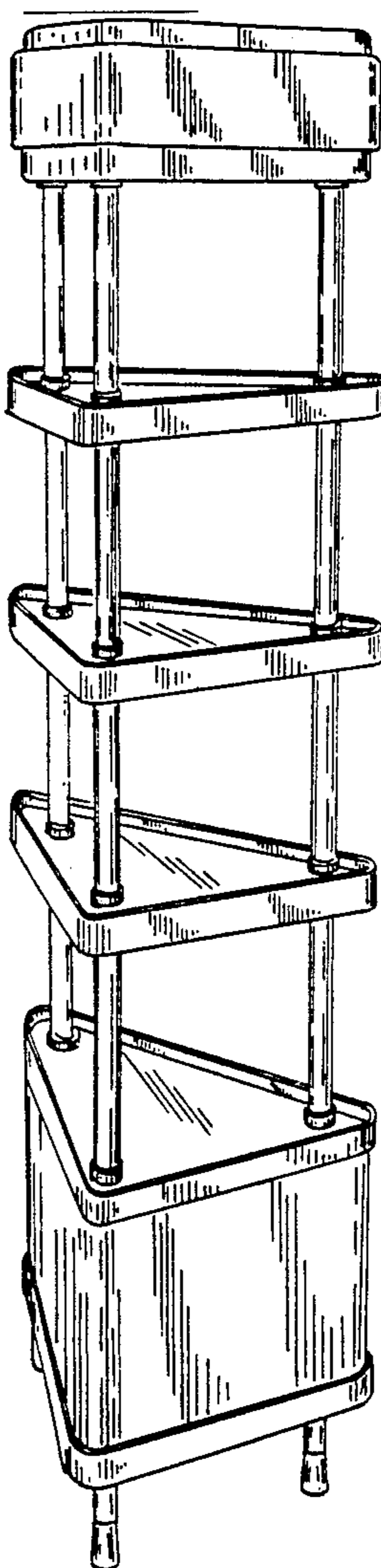
FIG. 1 is a front perspective view of a display stand showing my new design;

FIG. 2 is a rear elevational view thereof;

FIG. 3 is an enlarged sectional view taken on line 3—3 of FIG. 2 showing the top of one of the shelves in greater detail; and

FIG. 4 is an enlarged sectional view taken on line 4—4 of FIG. 2 showing the bottom of one of the shelves in greater detail.

The top surface is conventionally flat and unornamented.



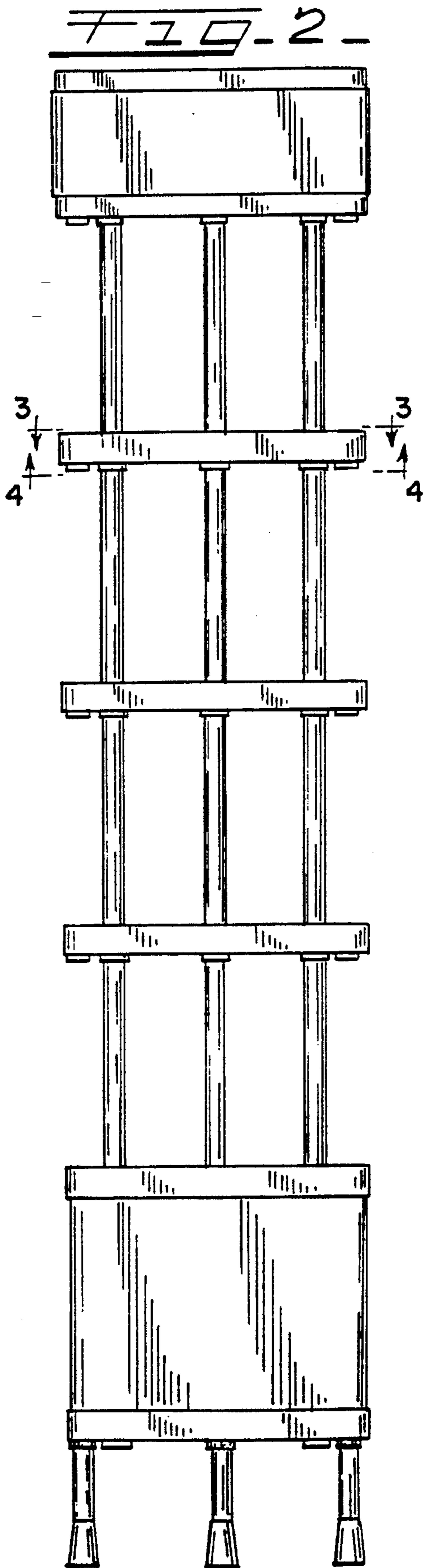
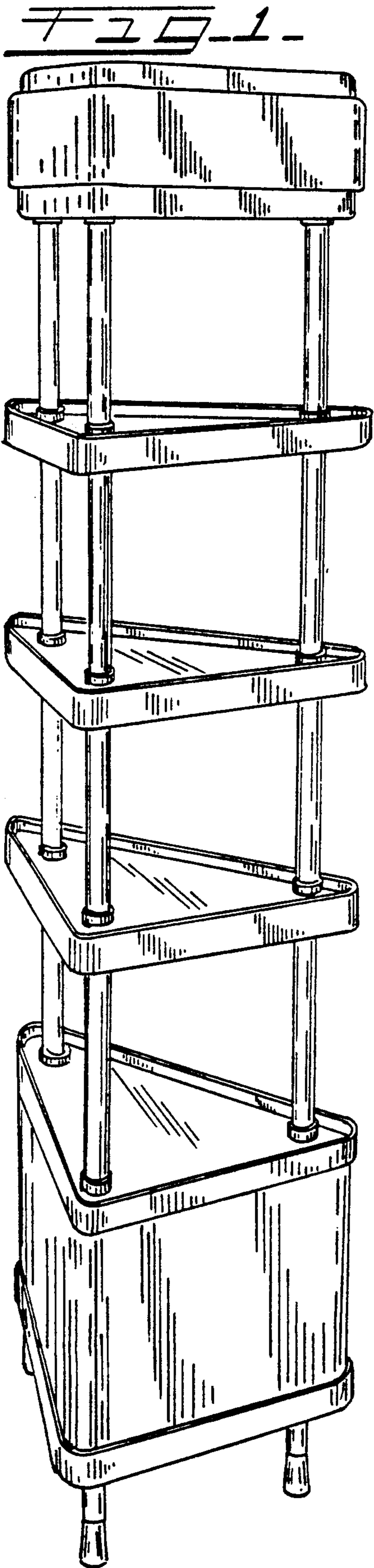


FIG. 3.

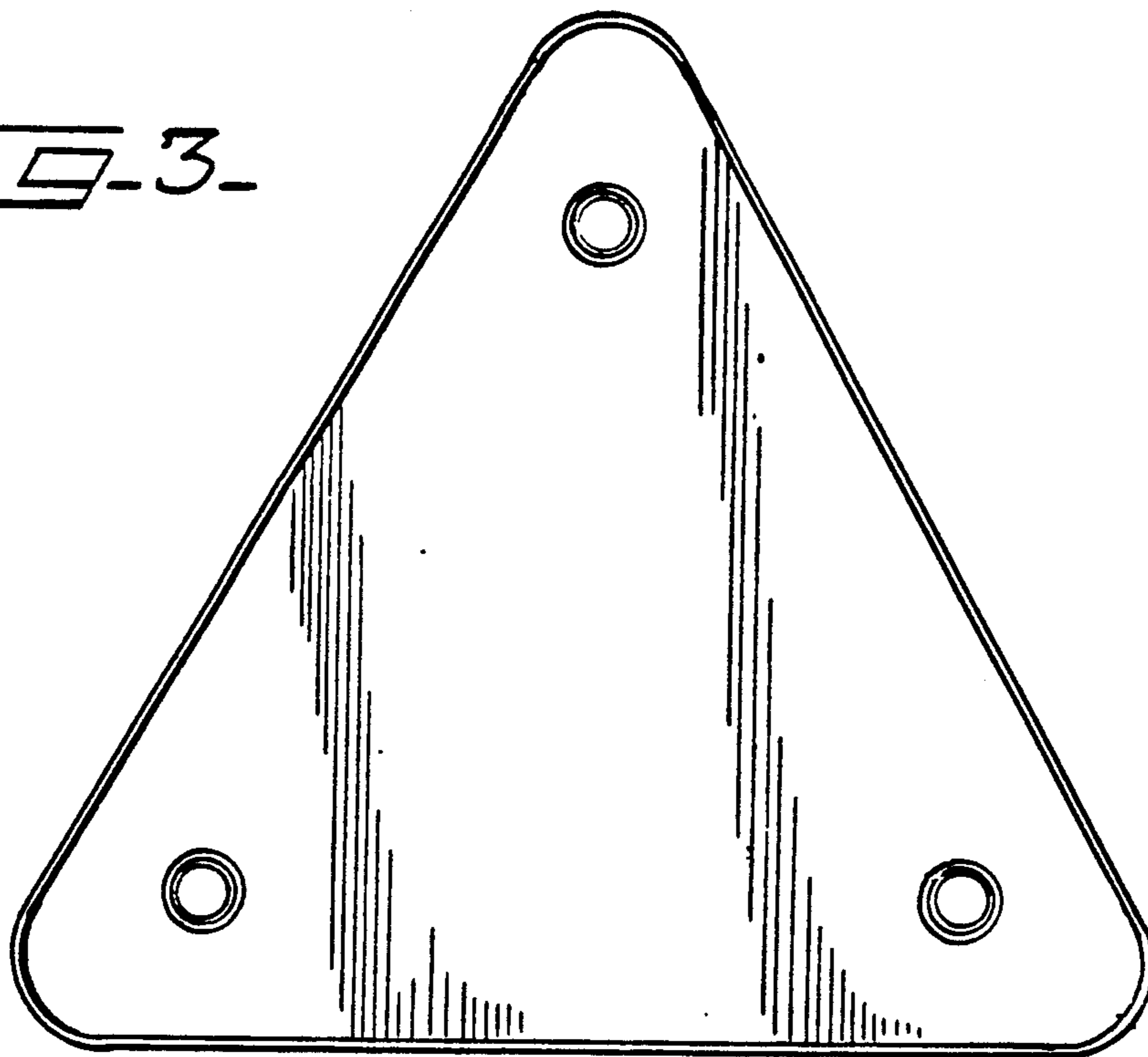


FIG. 4.

