

[54] TOY CHEST

[76] Inventor: William M. Ross, 6603 Church St., Apt. D-1, Riverdale, Ga. 30274

[**] Term: 14 Years

[21] Appl. No.: 364,990

[22] Filed: Jun. 12, 1989

[52] U.S. Cl. D6/434

[58] Field of Search D6/432, 434, 440; 312/204

[56] References Cited

U.S. PATENT DOCUMENTS

- D. 190,999 8/1961 Mykleby D6/434
- D. 191,364 9/1961 Schoendorf D6/434
- D. 228,298 9/1973 Moore D6/434 X

- D. 252,718 8/1979 Taylor D6/434
- D. 282,032 1/1986 Lemmeyer D6/440

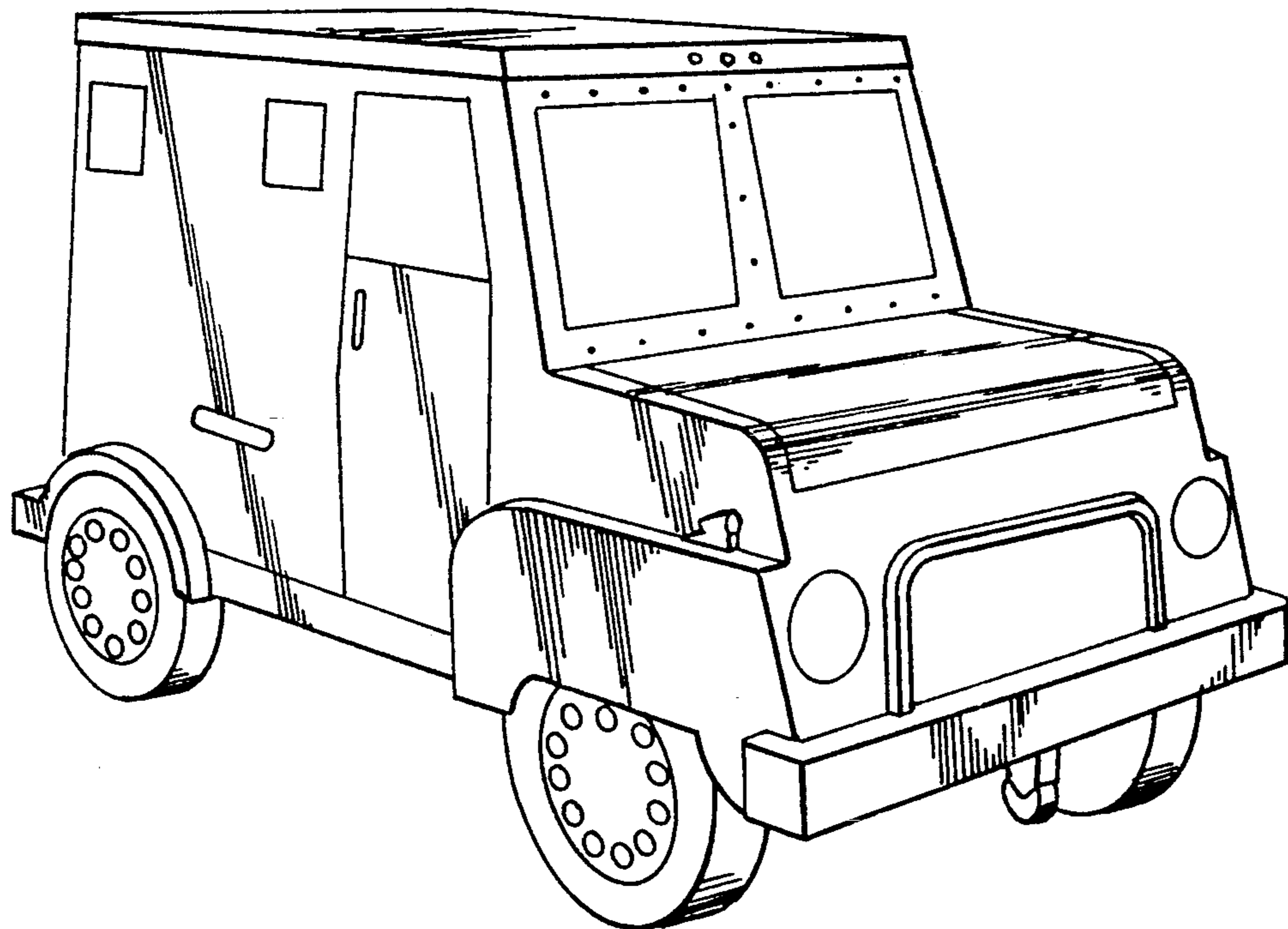
Primary Examiner—Carmen H. Vales-Lado
Attorney, Agent, or Firm—Kennedy & Kennedy

[57] CLAIM

The ornamental design for a toy chest, as shown and described.

DESCRIPTION

FIG. 1 is a perspective view of a toy chest showing my new design;
 FIG. 2 is a front elevational view thereof;
 FIG. 3 is a rear elevational view thereof;
 FIG. 4 is a left side elevational view, the right side being a mirror image thereof;
 FIG. 5 is a top plan view thereof; and
 FIG. 6 is a bottom plan view thereof.



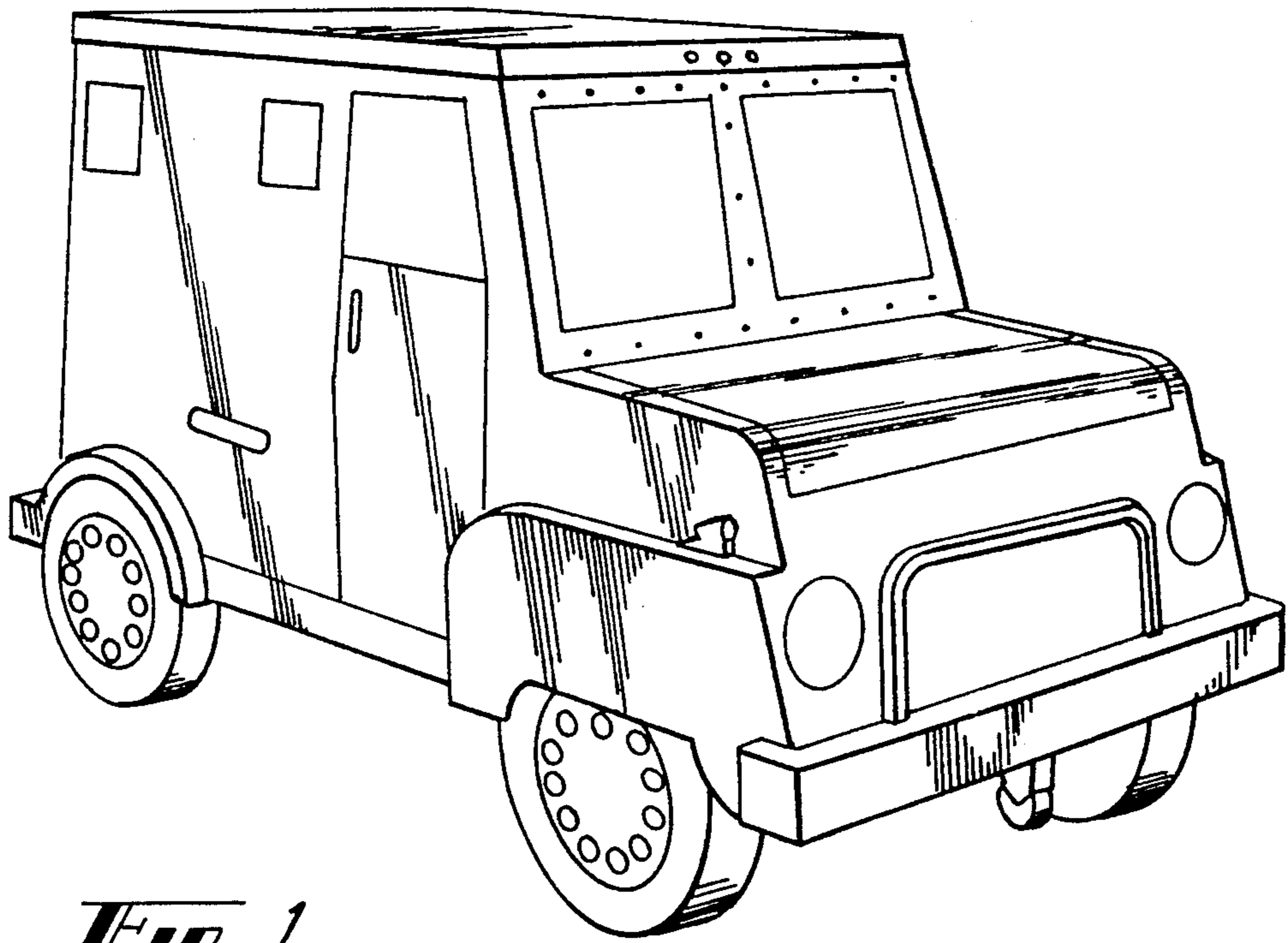


Fig 1

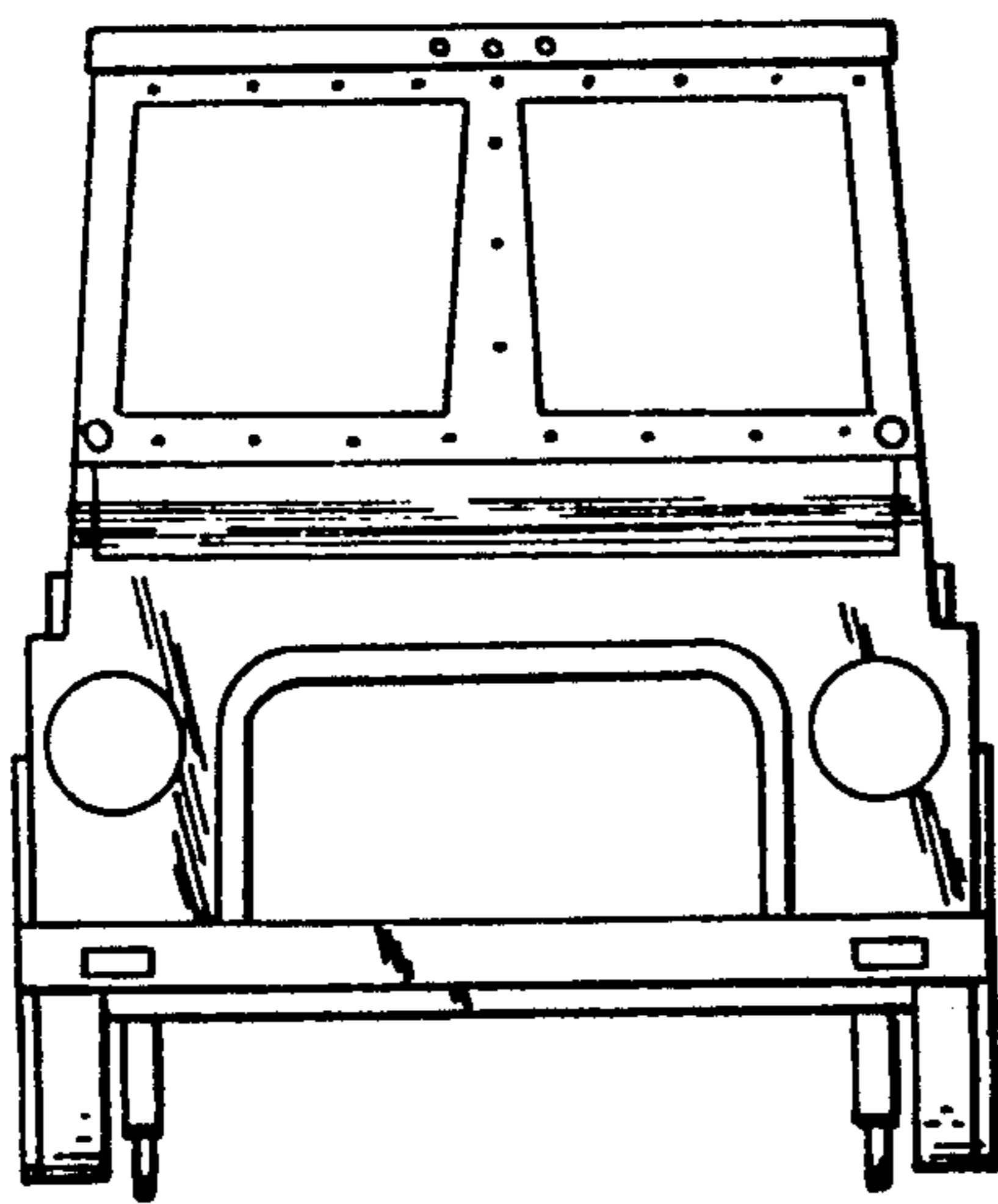


Fig 2

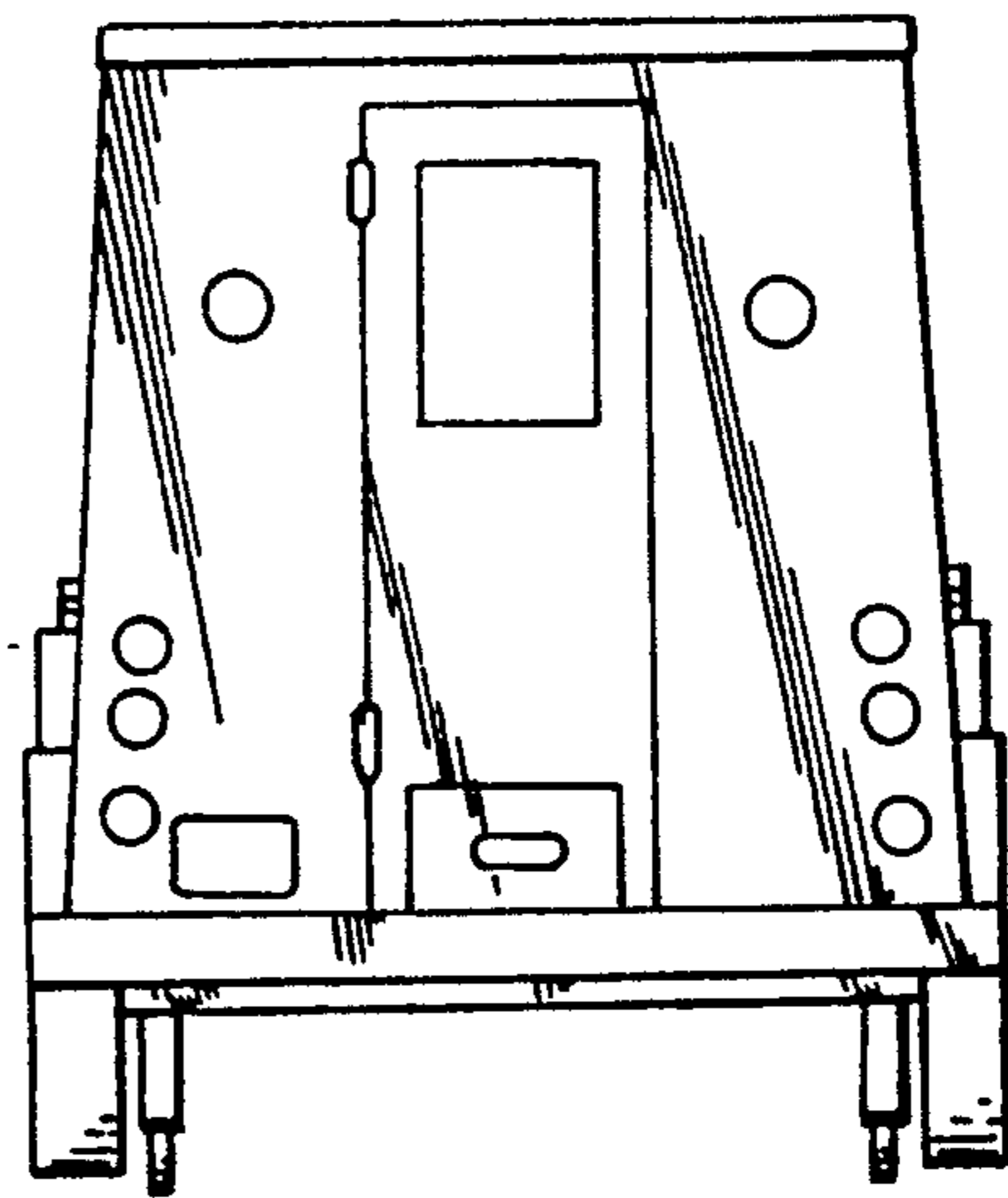


Fig 3

Fig 4

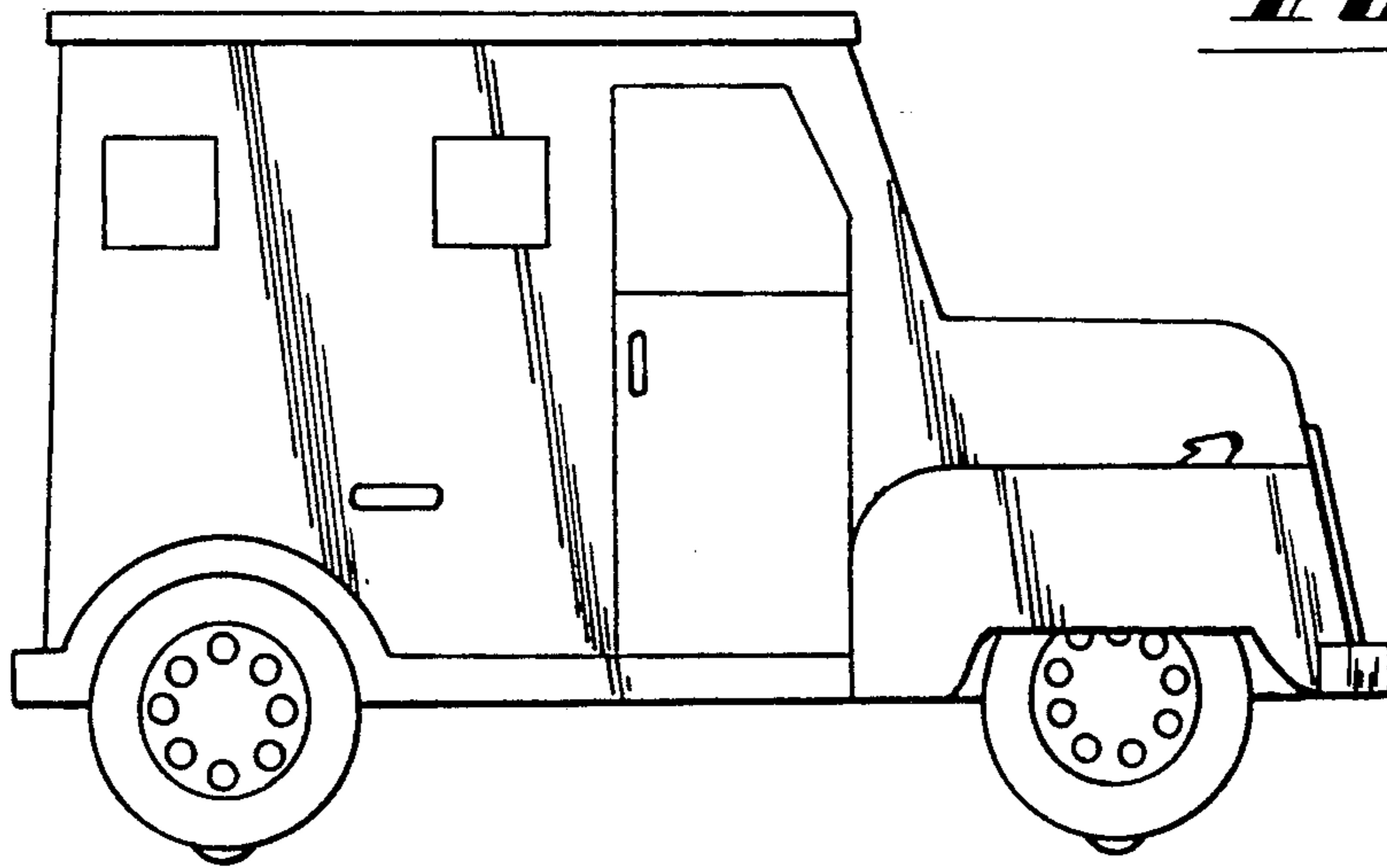


Fig 5

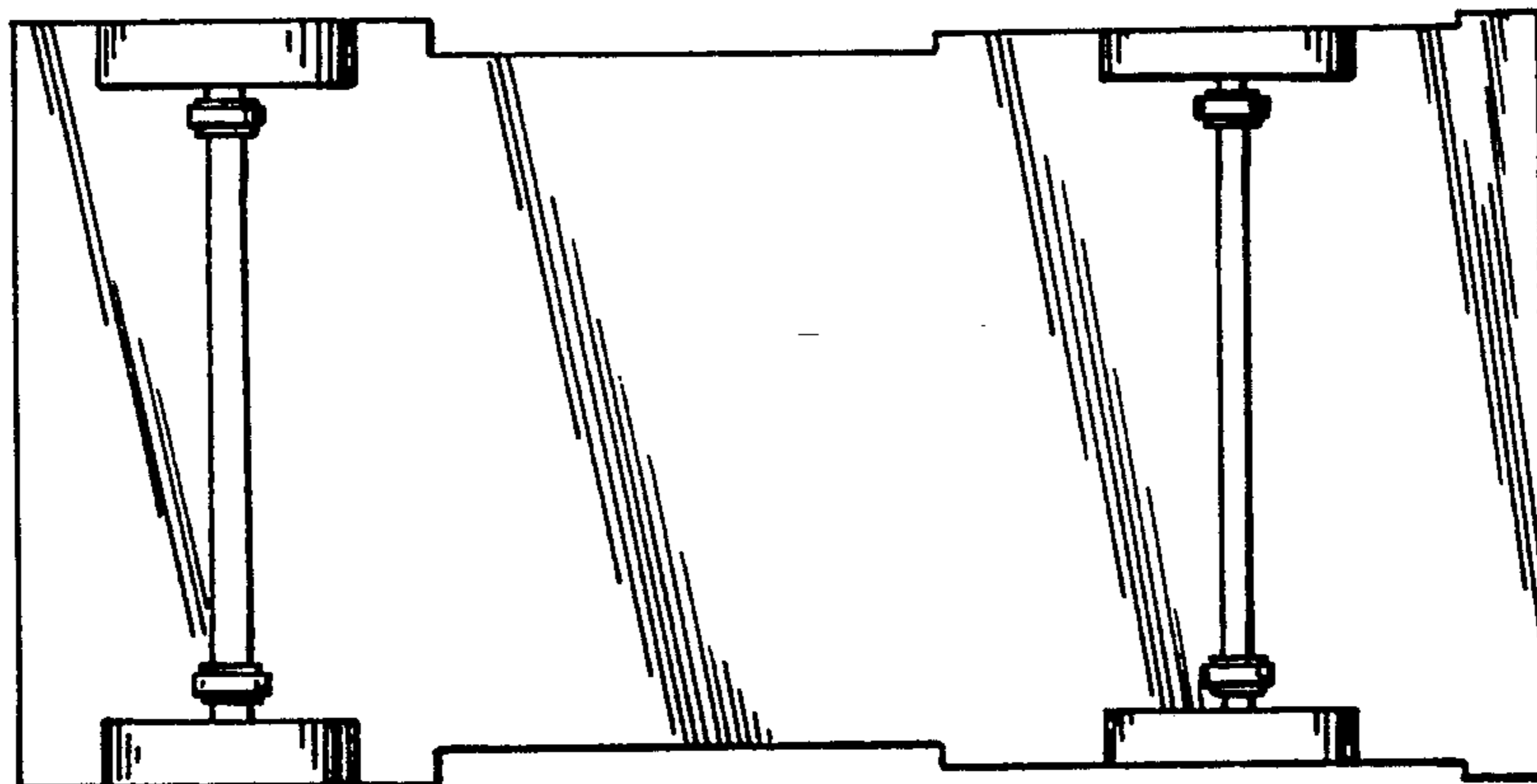
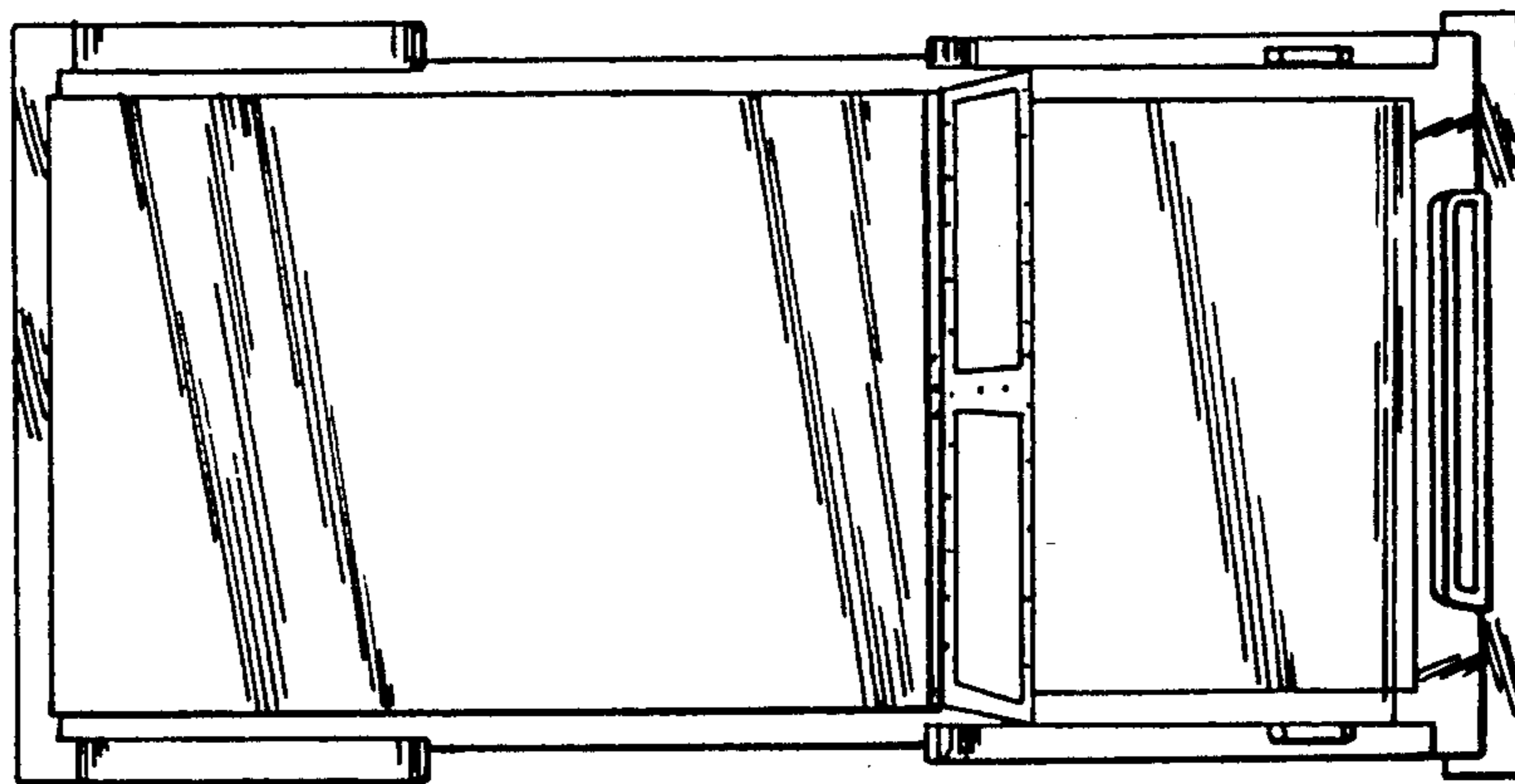


Fig 6