

[54] KEYBOARD STAND

[76] Inventor: Michael G. Kucsak, 367 Carteret Ave., Carteret, N.J. 07006

[**] Term: 14 Years

[21] Appl. No.: 235,987

[22] Filed: Aug. 24, 1988

[52] U.S. Cl. D6/419

[58] Field of Search D6/419, 420, 310-314, D6/406, 567, 574; D19/90, 91; 248/441.1, 447.2, 448-450, 454, 459-460, 463

[56] • References Cited

U.S. PATENT DOCUMENTS

| | | | |
|------------|---------|-----------------------|----------|
| D. 251,819 | 5/1979 | Nuttall et al. | D6/569 |
| D. 282,850 | 3/1986 | Futami . | |
| D. 294,530 | 3/1988 | Carluccio et al. | D6/567 X |
| 200,262 | 2/1878 | d'Auria . | |
| 2,505,814 | 5/1950 | Voorhorst . | |
| 3,031,910 | 5/1962 | Lofaro . | |
| 3,086,658 | 4/1963 | Palmer . | |
| 3,809,352 | 5/1974 | Mathias . | |
| 4,261,294 | 4/1981 | Bescherer | D6/571 X |
| 4,313,112 | 1/1982 | Foster . | |
| 4,369,948 | 1/1983 | Krauss et al. . | |
| 4,419,921 | 12/1983 | Simanski . | |
| 4,601,361 | 7/1986 | Nakada . | |
| 4,655,427 | 4/1987 | Lamb . | |

4,674,385 6/1987 Bellini .

OTHER PUBLICATIONS

J. D. Acrylics, p. 34; wall mounted shelf, center of page. *The Plastic Showcase*, 9/1985, p. 8; item #8C shelf, bottom right on page.

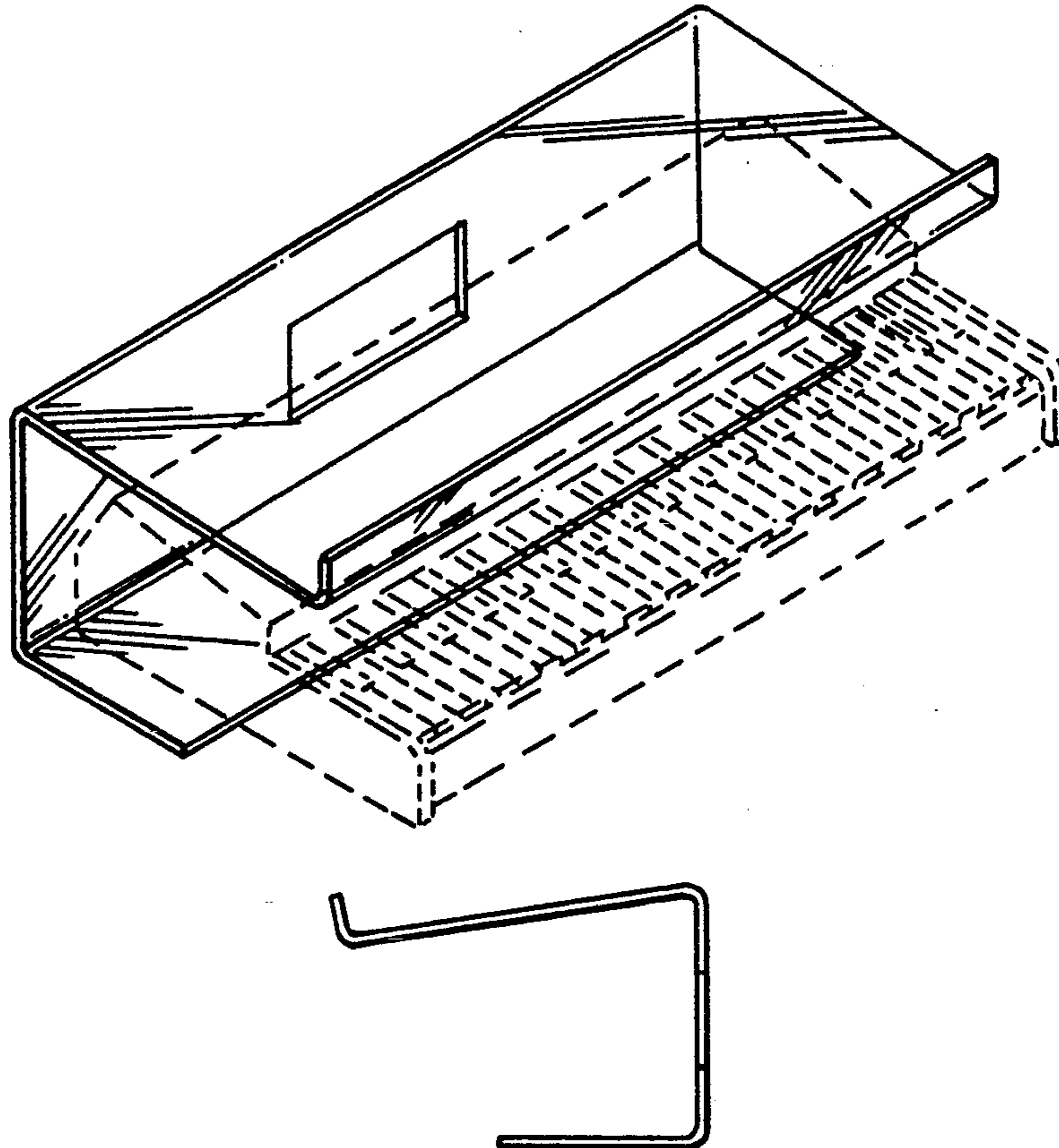
Primary Examiner—Carmen H. Vales-Lado
Attorney, Agent, or Firm—Larson and Taylor

[57] CLAIM

The ornamental design for a keyboard stand, as shown and described.

DESCRIPTION

FIG. 1 is a perspective view of a keyboard stand showing my new design, the broken line showing of a keyboard is for illustrative purposes only; FIG. 2 is a top plan view thereof; FIG. 3 is a bottom plan view thereof; FIG. 4 is a right end elevational view the left end being a mirror image thereof; FIG. 5 is a front elevational view thereof; FIG. 6 is a rear elevational view thereof; FIG. 7 is a perspective view of an alternate embodiment of the keyboard stand shown in FIG. 1; and FIG. 8 is a top plan view of FIG. 7. The second embodiment of FIG. 7 is identical to the first embodiment of FIGS. 1 through 6 except that it is shorter in length.



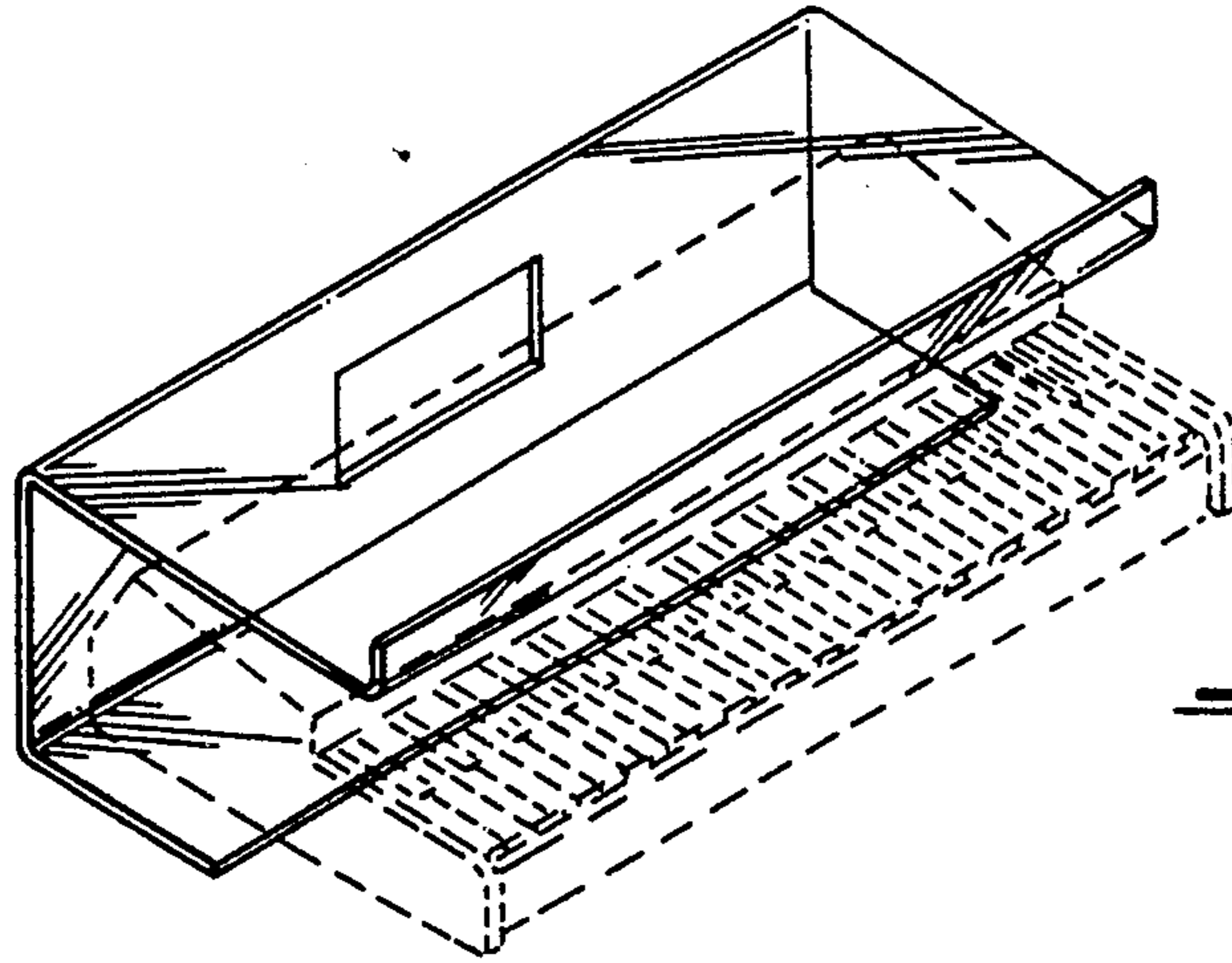


Fig. 1

Fig. 2

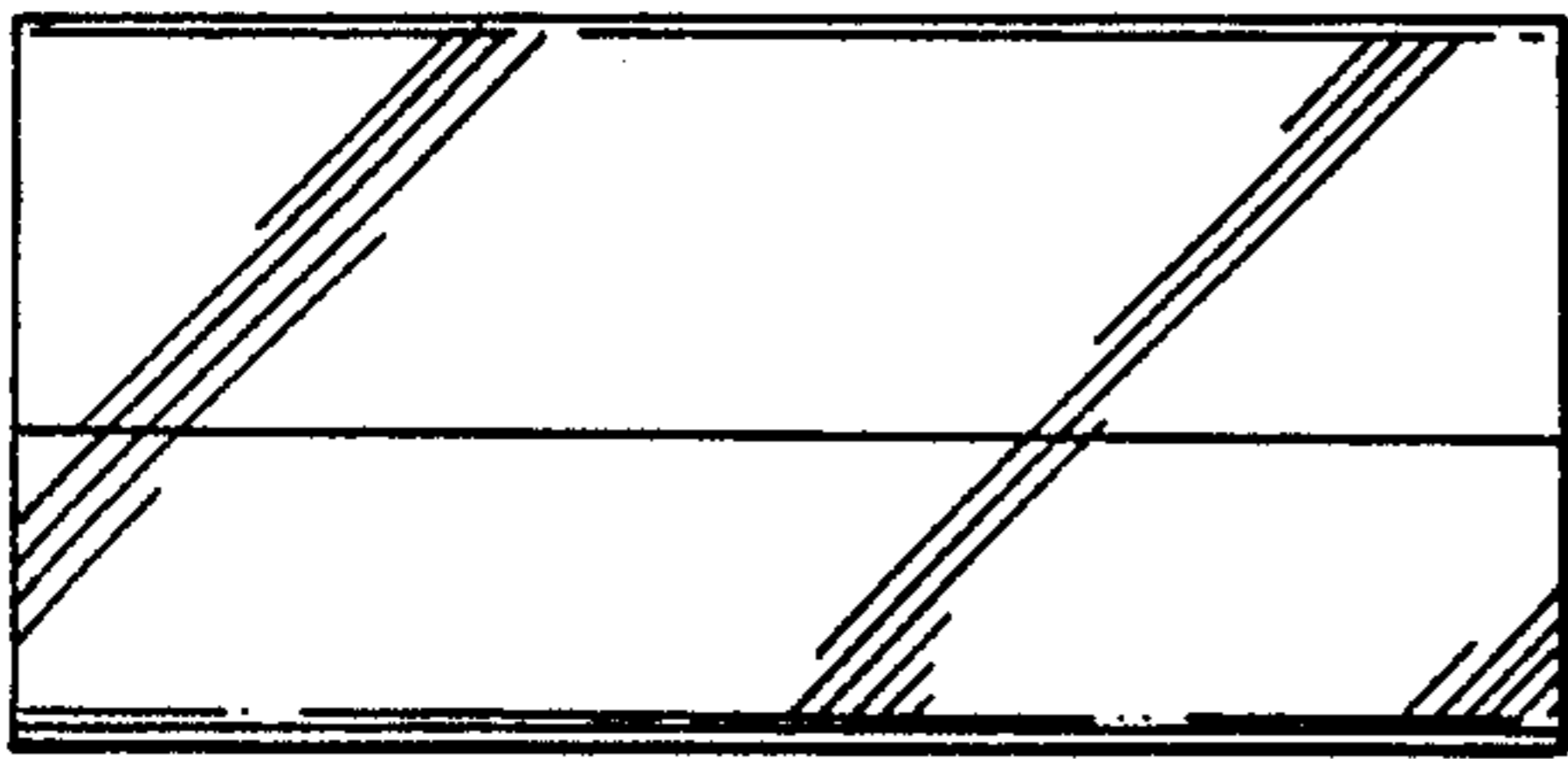


Fig. 3

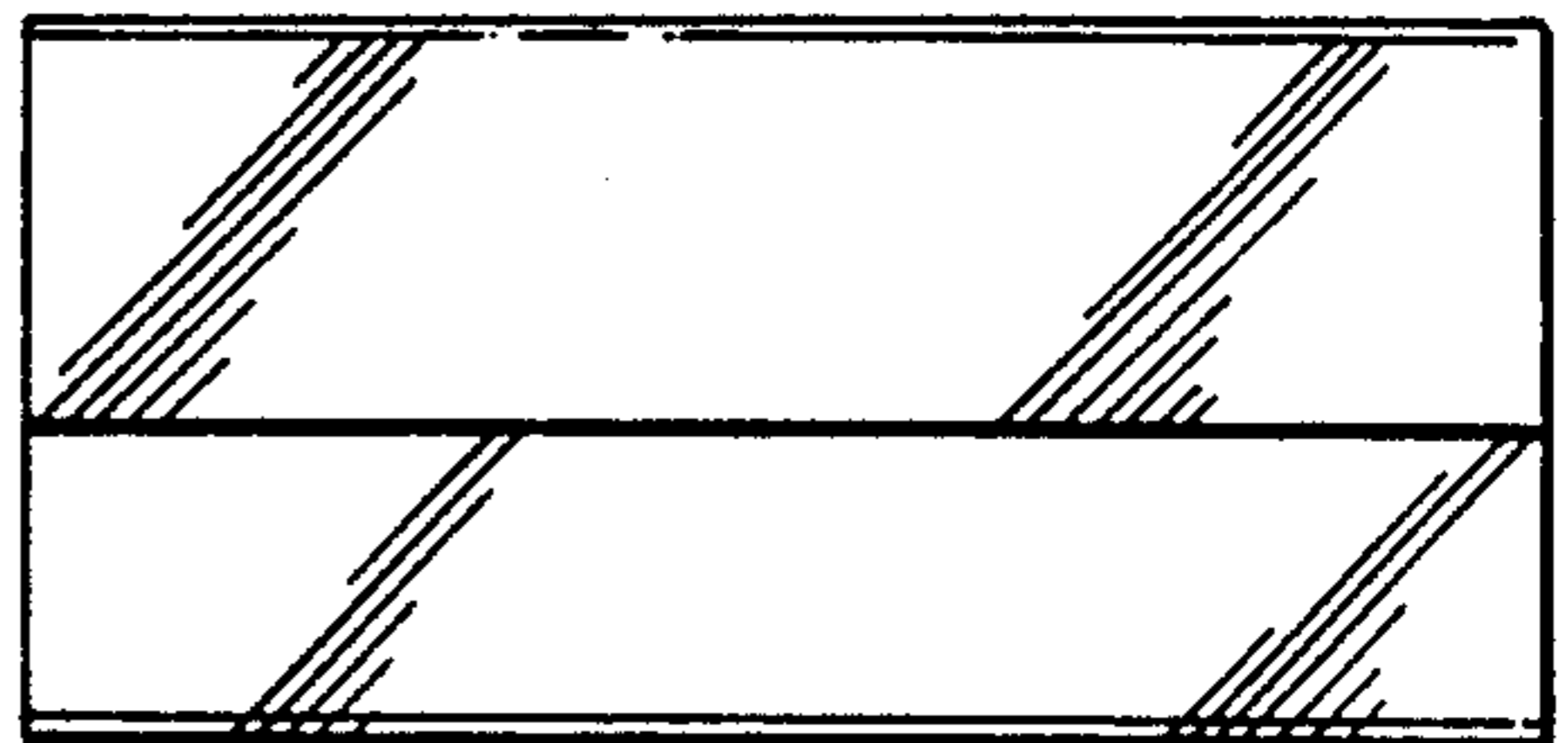


Fig. 4

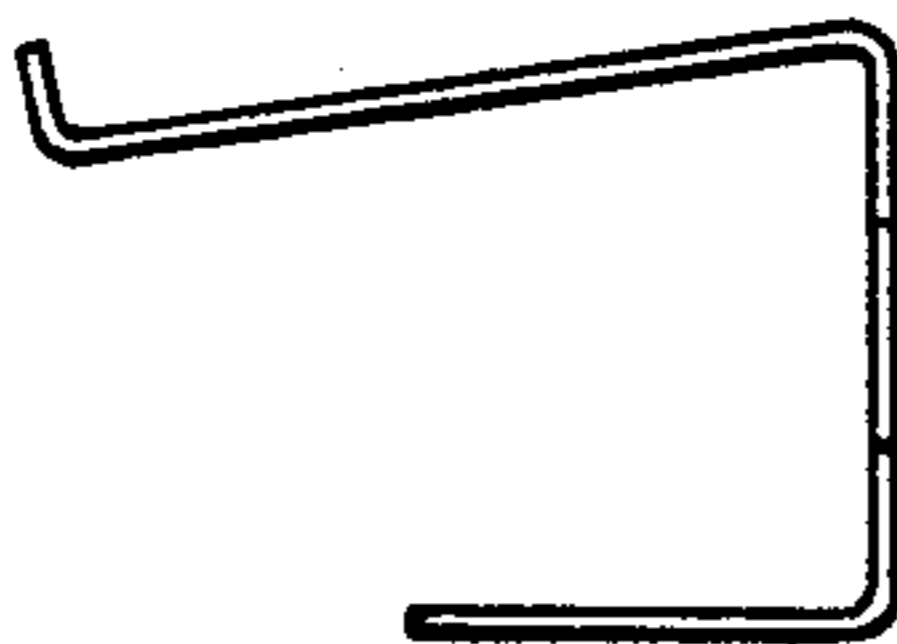


Fig. 5

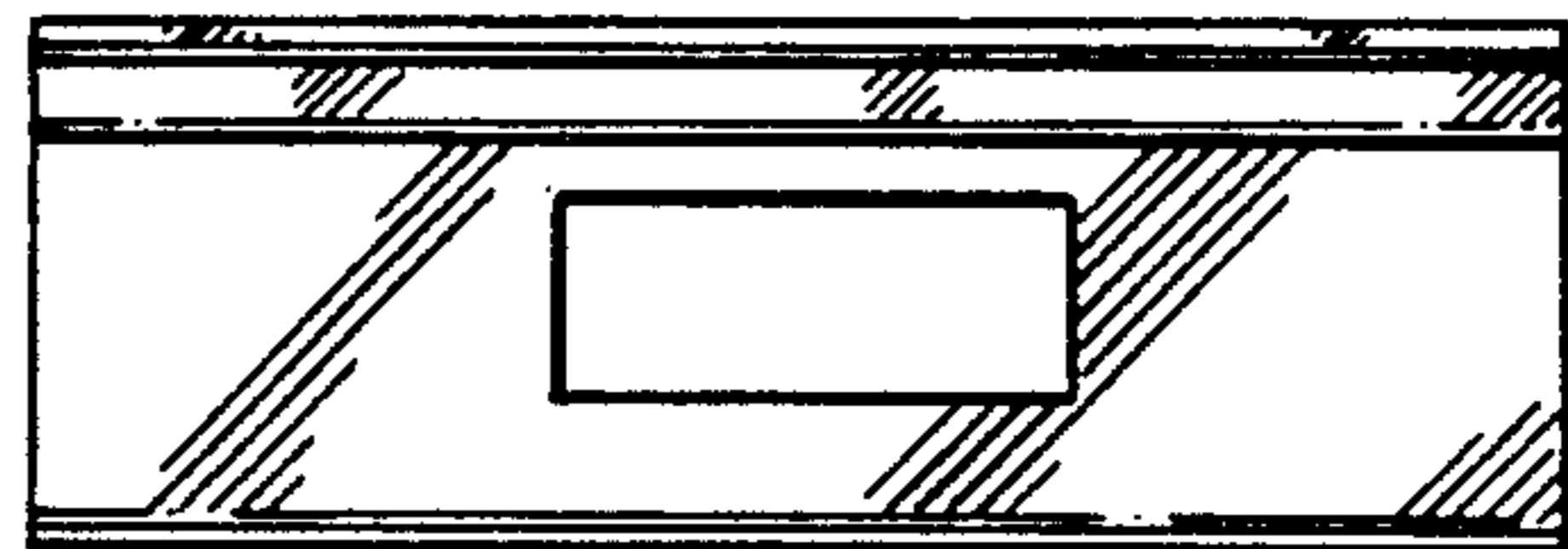


Fig. 6

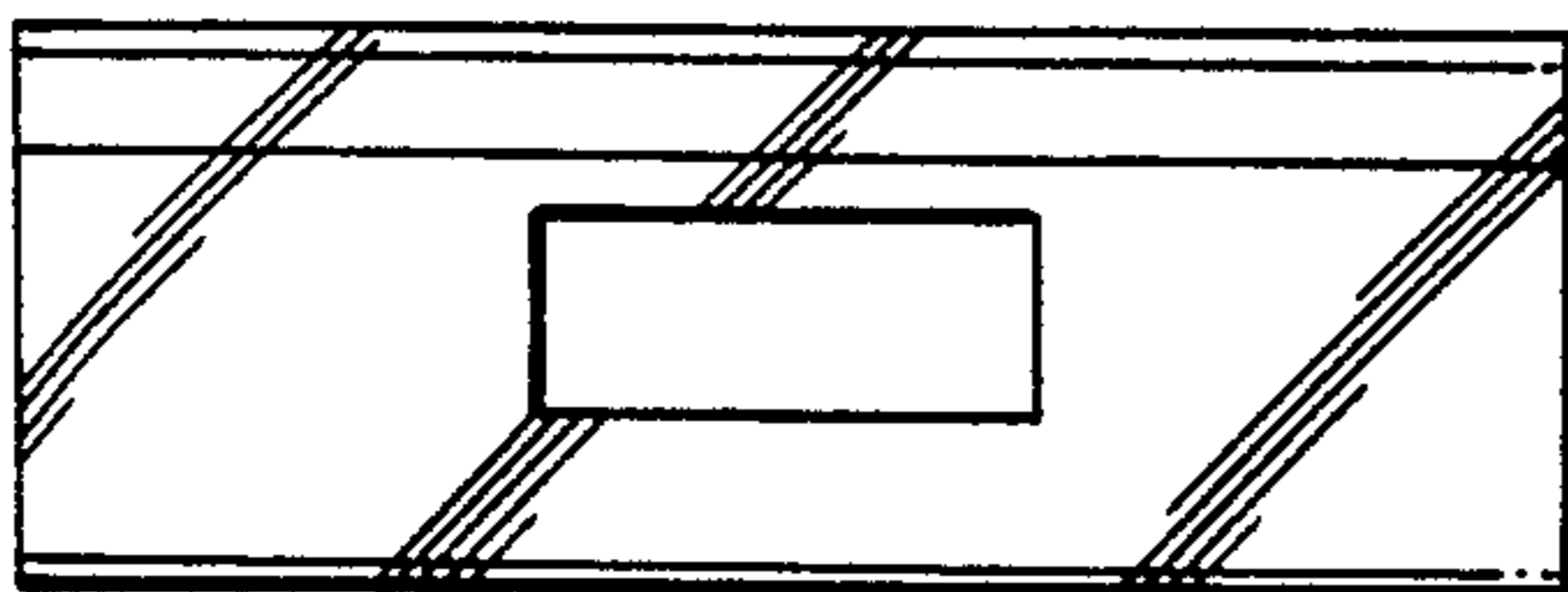


Fig. 8

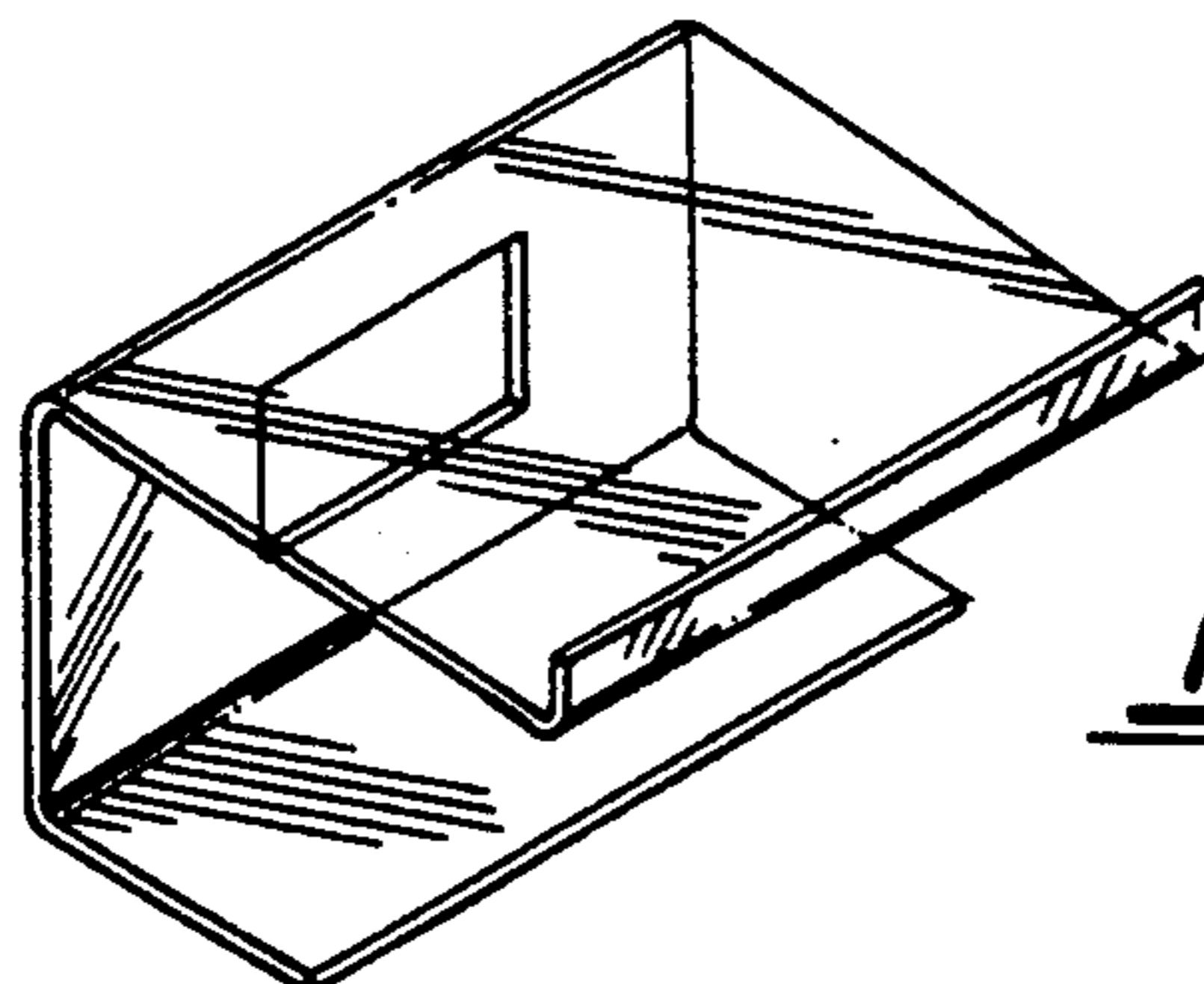
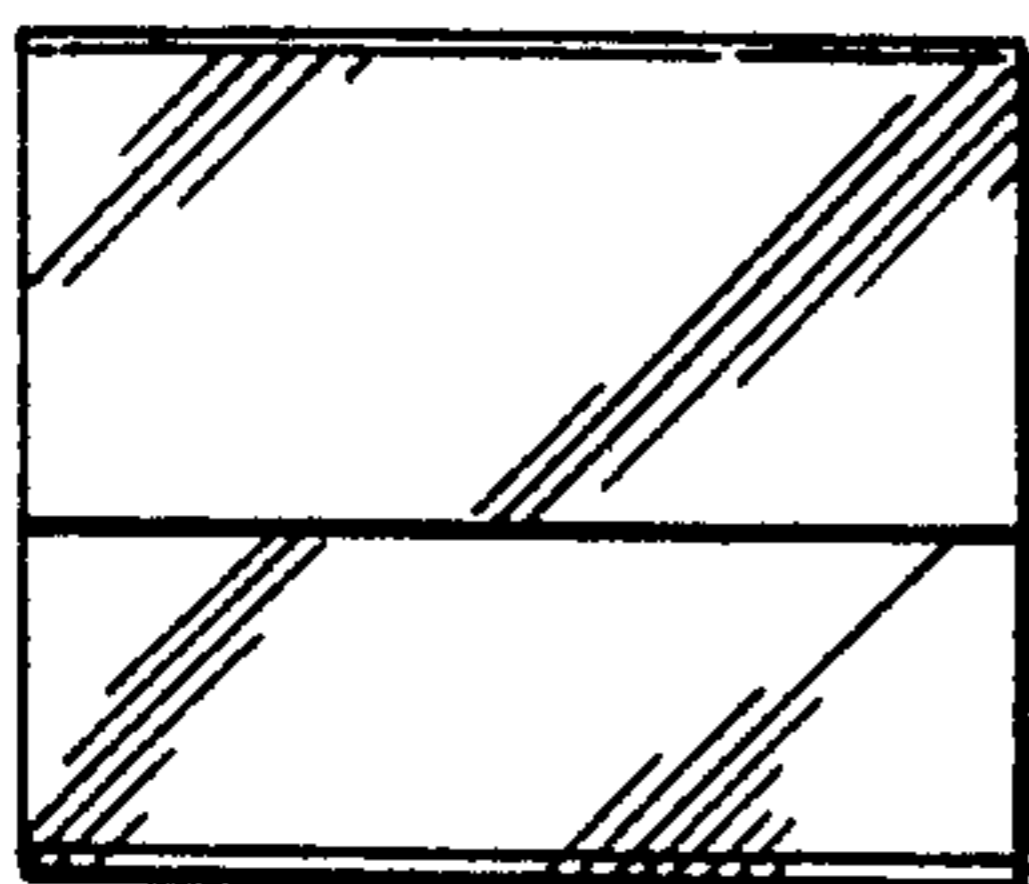


Fig. 7