

[54] **CHAISE FRAME**

[75] Inventor: **Herbert C. Saiger, Troy, Ohio**
[73] Assignee: **Crown Leisure Products, Inc., Owosso, Mich.**
[**] Term: **14 Years**
[21] Appl. No.: **243,643**
[22] Filed: **Sep. 9, 1988**
[52] U.S. Cl. **D6/361; D6/500**
[58] Field of Search **D6/334, 360, 361, 370-372, D6/374, 375, 376, 379, 500; 4/572**

[56] **References Cited**

U.S. PATENT DOCUMENTS

D. 165,058 11/1951 Deutsch D6/361
D. 167,491 8/1952 Witty D6/361
D. 173,766 12/1954 Rosenfeld et al. D6/361
D. 176,521 1/1956 Jones D6/361
D. 248,259 6/1978 Lande D6/372 X
2,503,938 4/1950 Davis, Jr. 4/572

OTHER PUBLICATIONS

Dixie, p. 3, chair #801, top right.
Medallion, 4/1980, Horizon lounge #2044, top right of p. 3.

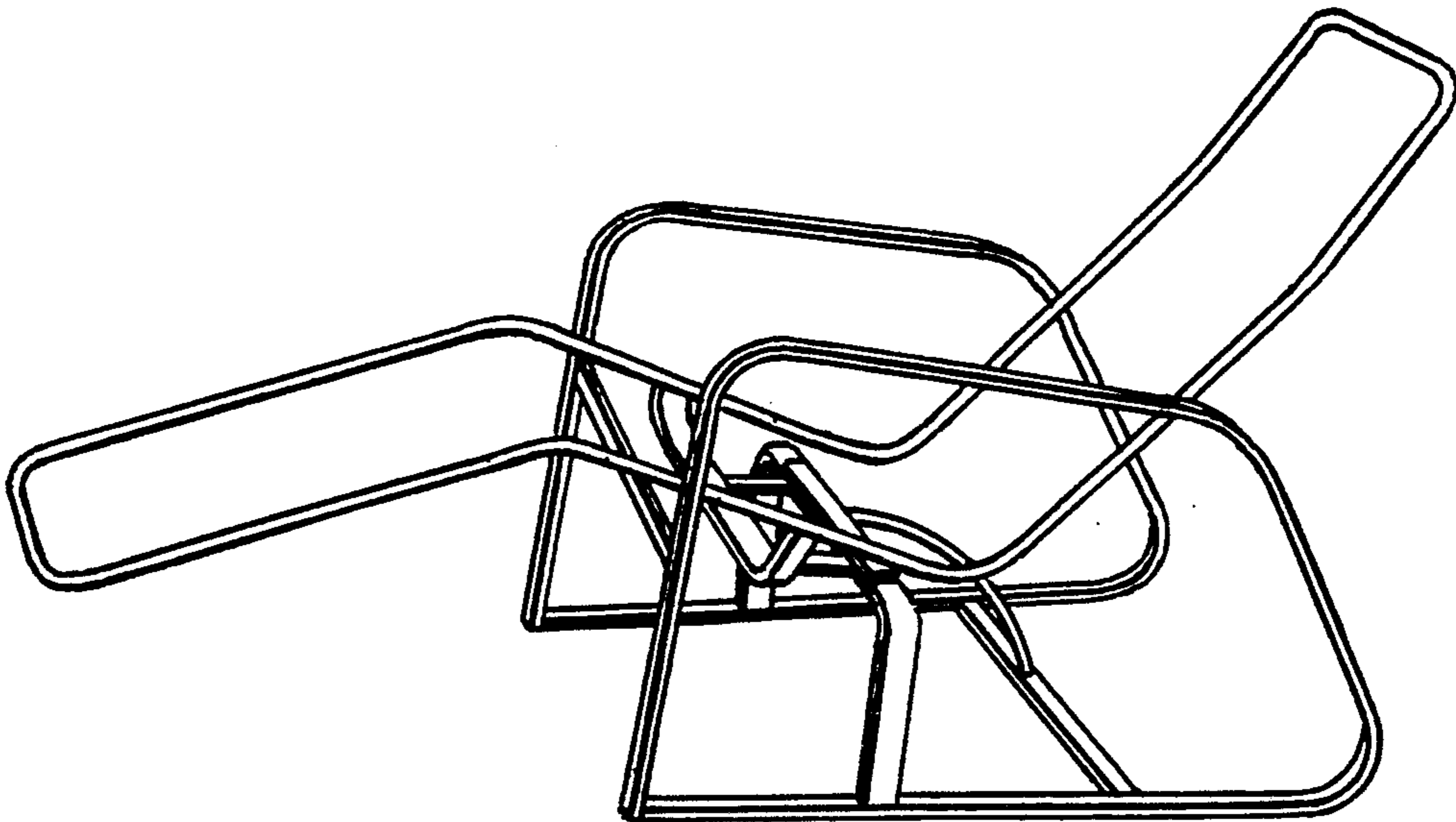
Primary Examiner—Bruce W. Dunkins
Assistant Examiner—Gary D. Watson
Attorney, Agent, or Firm—Learman & McCulloch

[57] **CLAIM**

The ornamental design for a chaise frame, as shown and described.

DESCRIPTION

FIG. 1 is a perspective view of a chaise frame showing my new design;
FIG. 2 is a side elevational view, the opposite side being a mirror image thereof;
FIG. 3 is a top plan view;
FIG. 4 is a bottom plan view;
FIG. 5 is a front elevational view; and
FIG. 6 is a rear elevational view thereof.



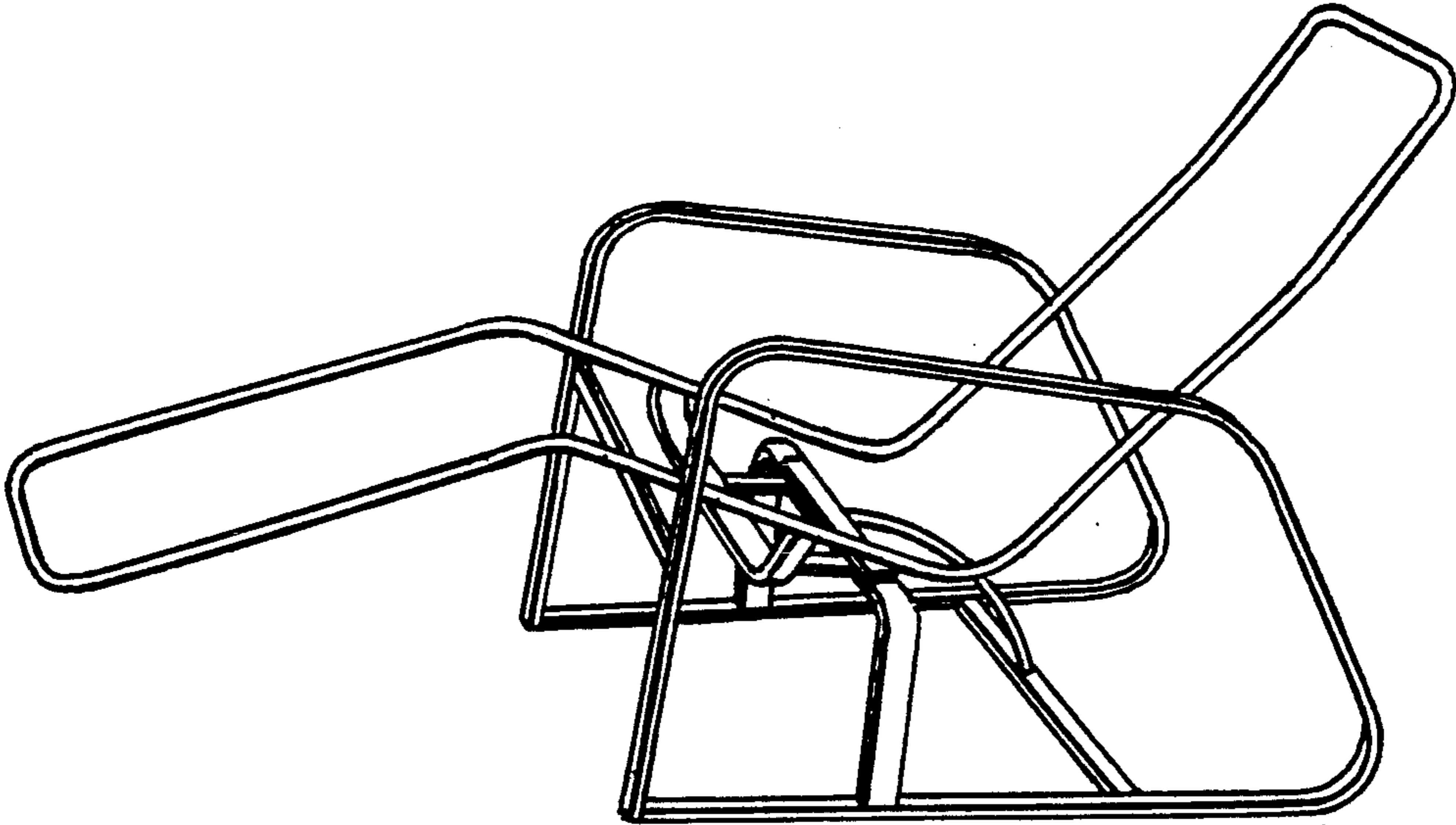


FIG. 1

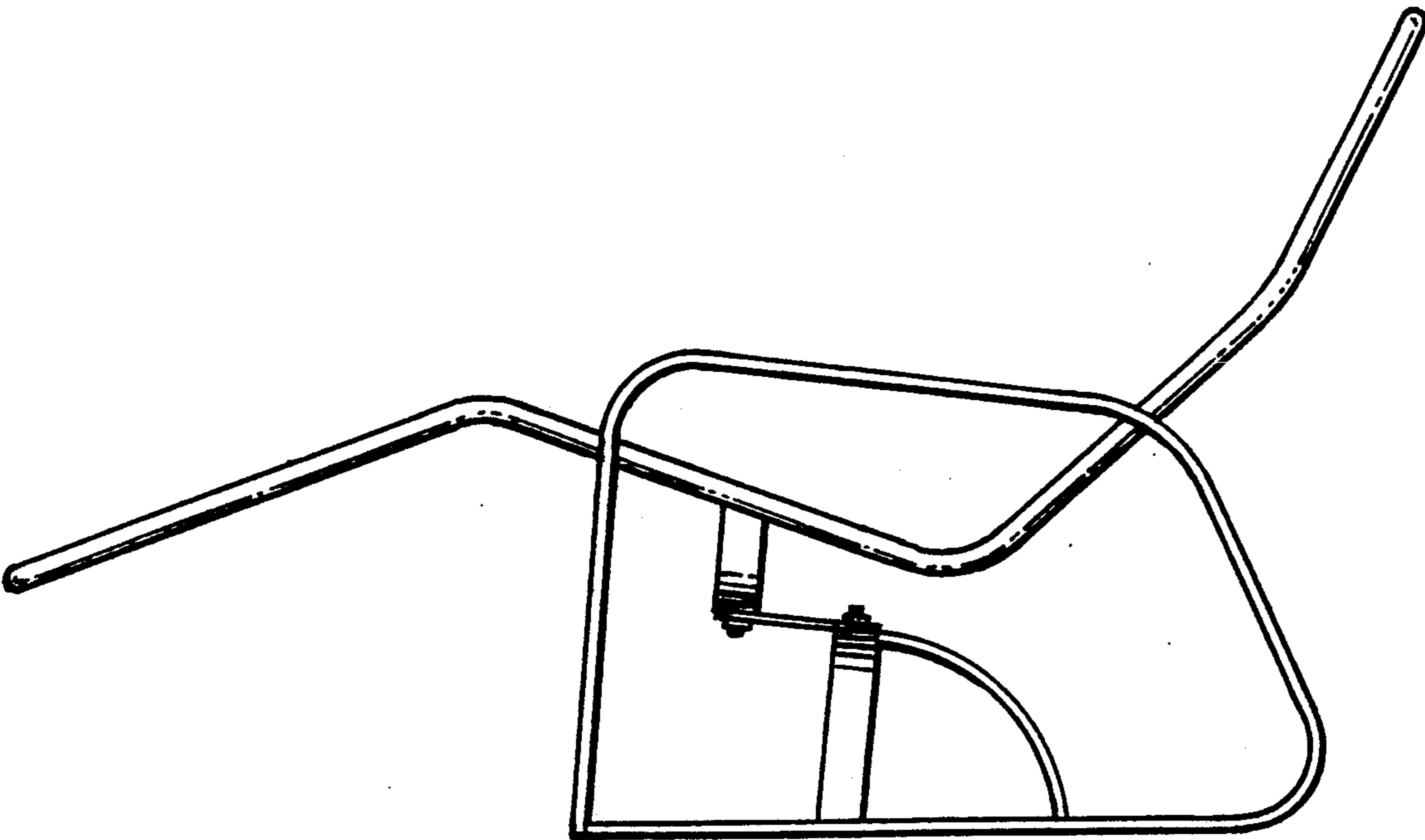


FIG. 2

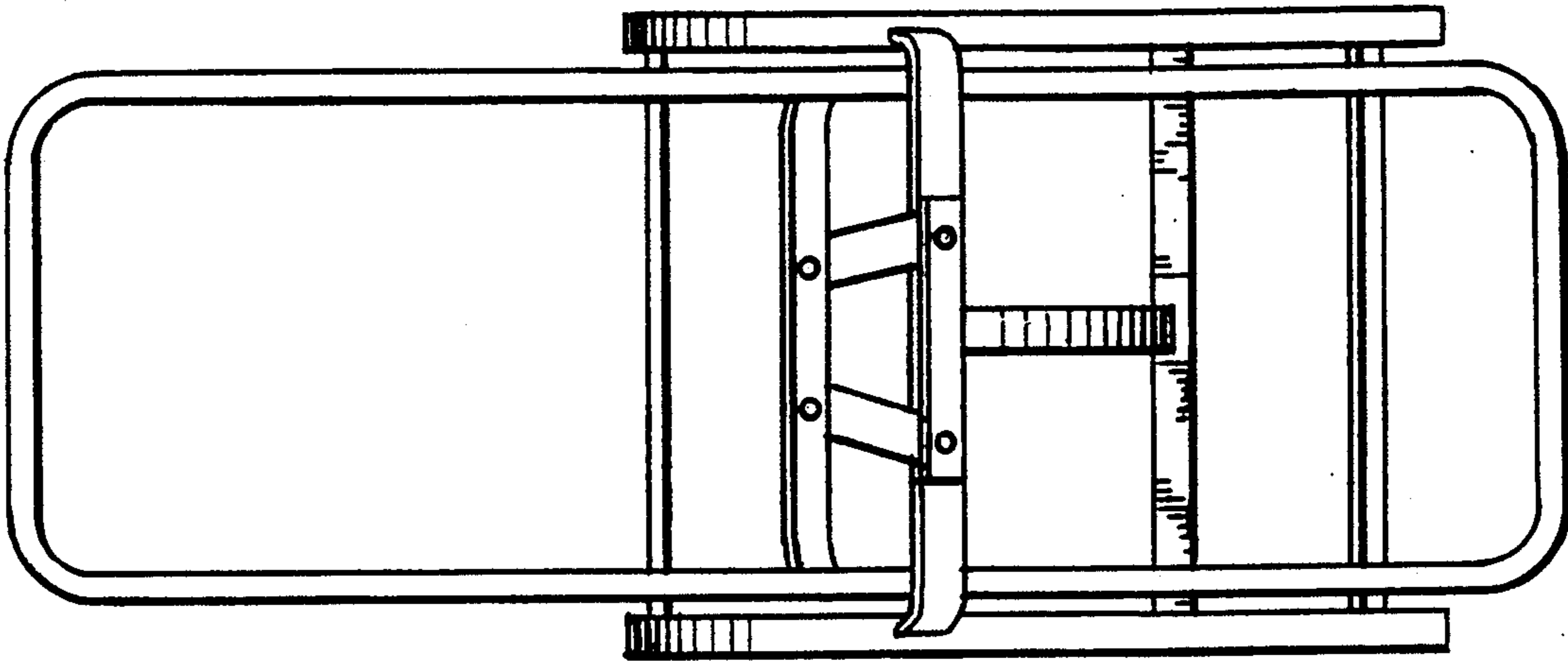


FIG. 3

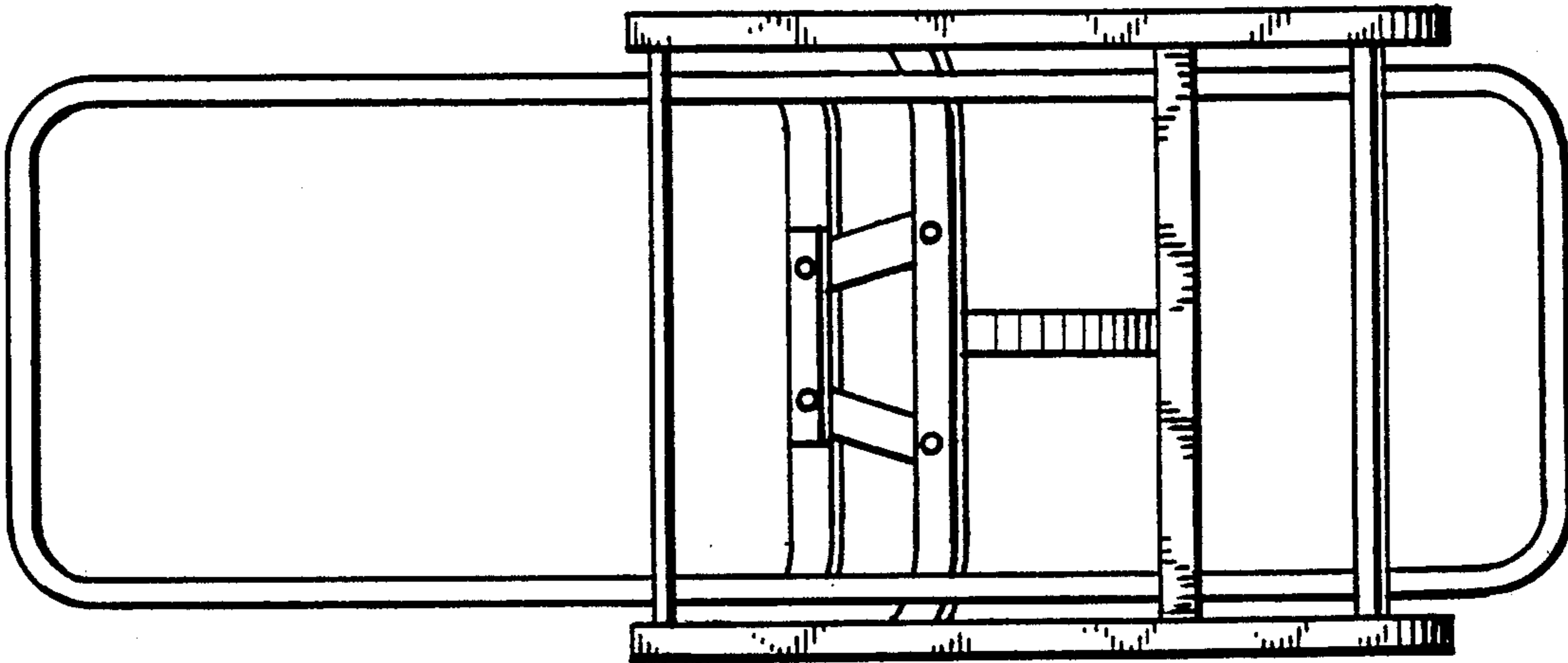


FIG. 4

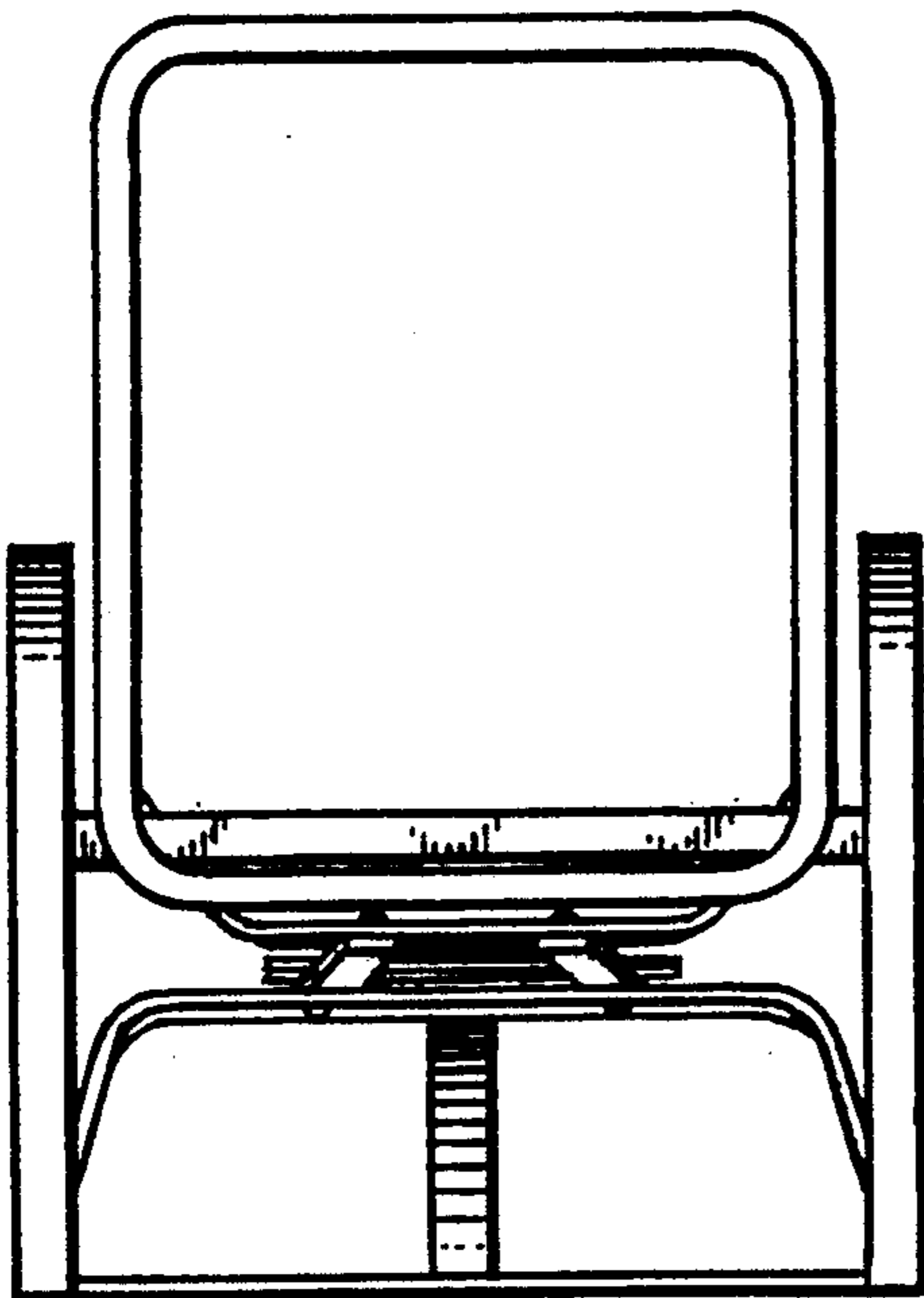


FIG. 5

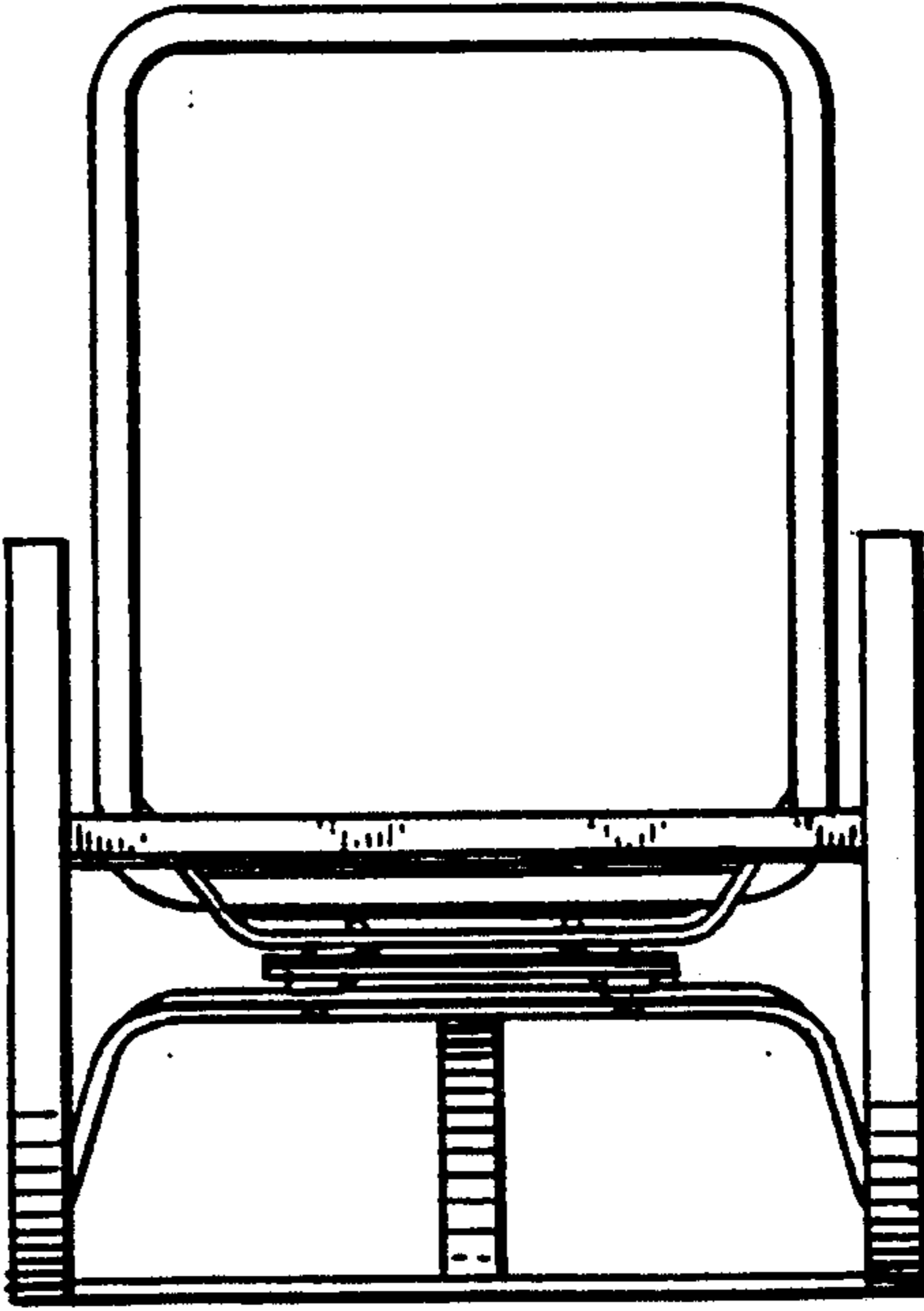


FIG. 6