

[54] JEWELRY BOX AND INTERIOR THEREFOR

3,126,236 3/1964 Buchau et al. .... 312/201  
4,090,606 5/1978 Dawson ..... 206/446 X

[75] Inventors: Kenneth S. Marsella, Johnston, R.I.;  
Frank Layne, Ft. Lauderdale, Fla.

Primary Examiner—Louis S. Zarfes  
Assistant Examiner—M. N. Pandozzi  
Attorney, Agent, or Firm—Salter & Michaelson

[73] Assignee: Ken Mar Inc., Cranston, R.I.

[\*\*] Term: 14 Years

[57] CLAIM

[21] Appl. No.: 326,529

The ornamental design for a jewelry box and interior therefor, as shown and described.

[22] Filed: Mar. 20, 1989

DESCRIPTION -

[52] U.S. Cl. .... D3/75; D3/74

[58] Field of Search ..... D3/38, 74, 36, 39, 75;  
D21/234; 206/223, 305, 446, 315.1, 315.11,  
315.9, 372, 341, 373, 6.1, 581, 45; 220/507, 4.24;  
312/201, 270, 204, 326; 211/74; D9/341

FIG. 1 is a perspective view of a jewelry box and interior therefor showing our new design, the exploded broken-line illustration of an earring card being shown for informational purposes only;

FIG. 2 is a top plan view thereof;

FIG. 3 is a front elevational view;

FIG. 4 is a rear elevational view thereof;

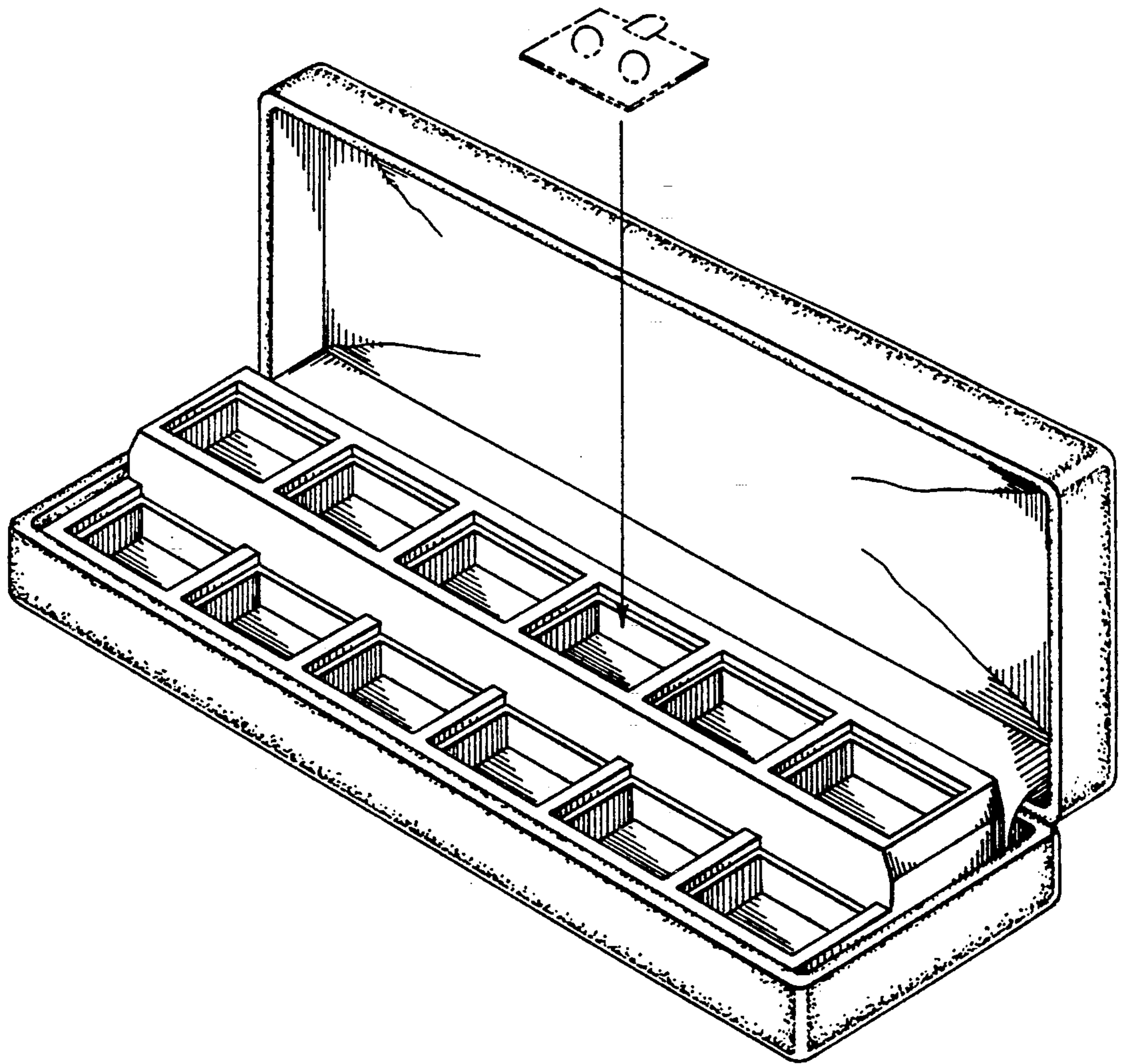
FIG. 5 is a side elevational view thereof, it being understood that the opposite side is a mirror image thereof; and

FIG. 6 is a bottom plan view thereof.

[56] References Cited

U.S. PATENT DOCUMENTS

D. 227,860	7/1973	Schumann	.....	D9/341
296,367	4/1884	Toay	.....	206/45
922,498	5/1909	Merritt	.....	206/45



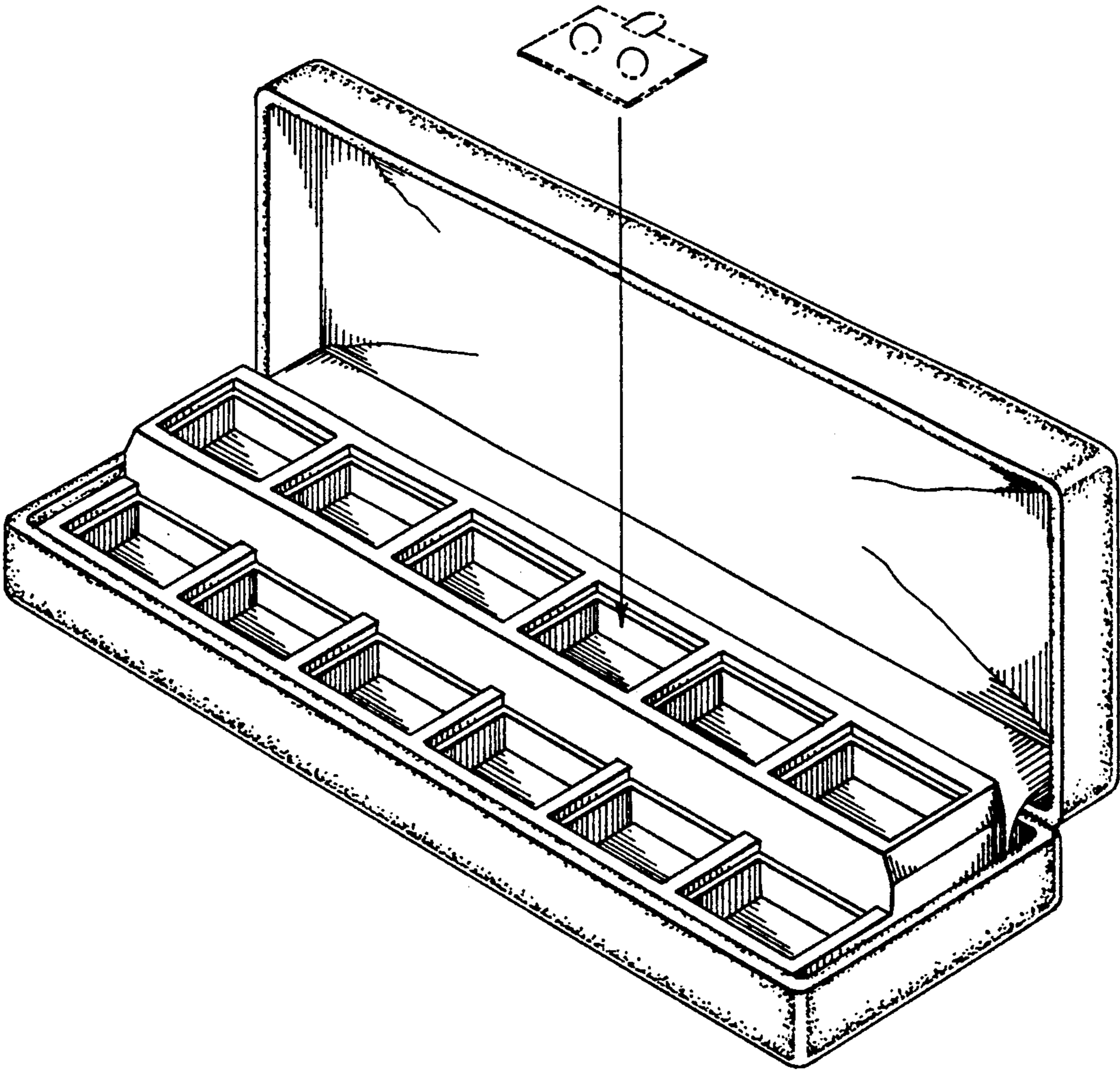


FIG. 1

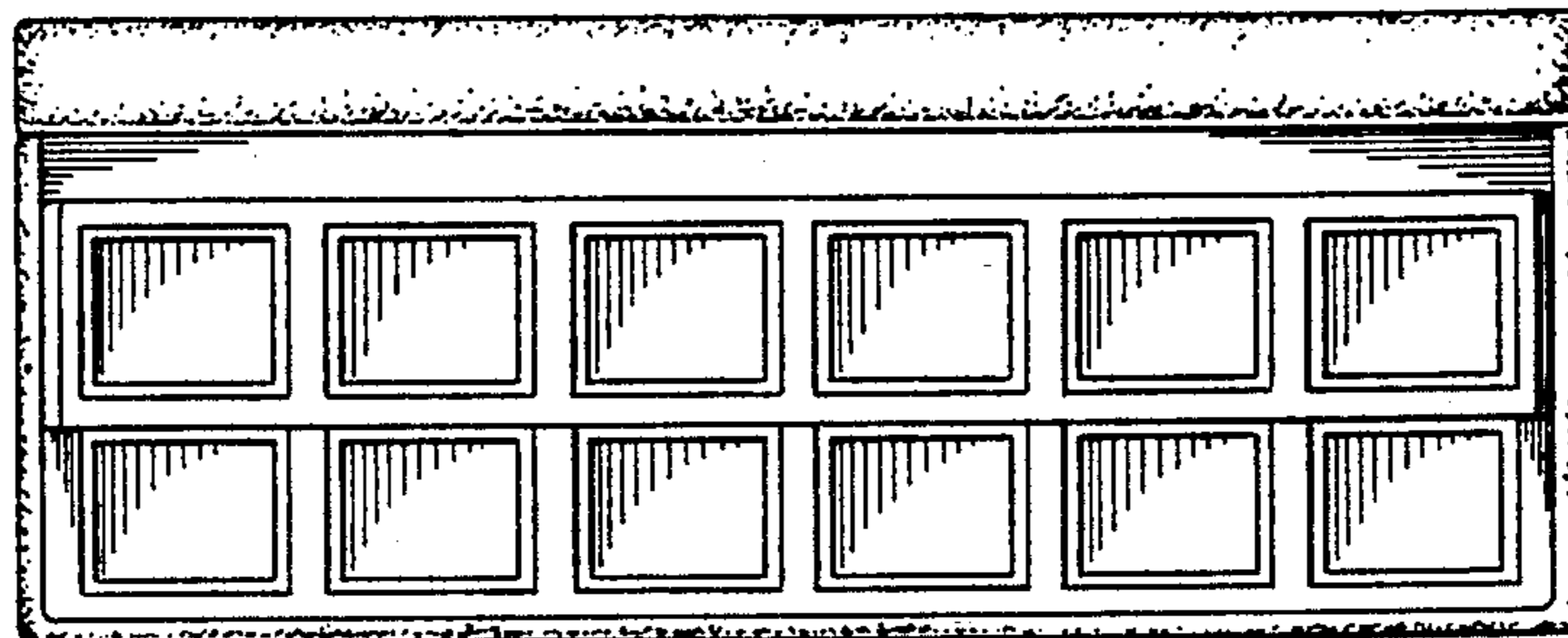


FIG. 2

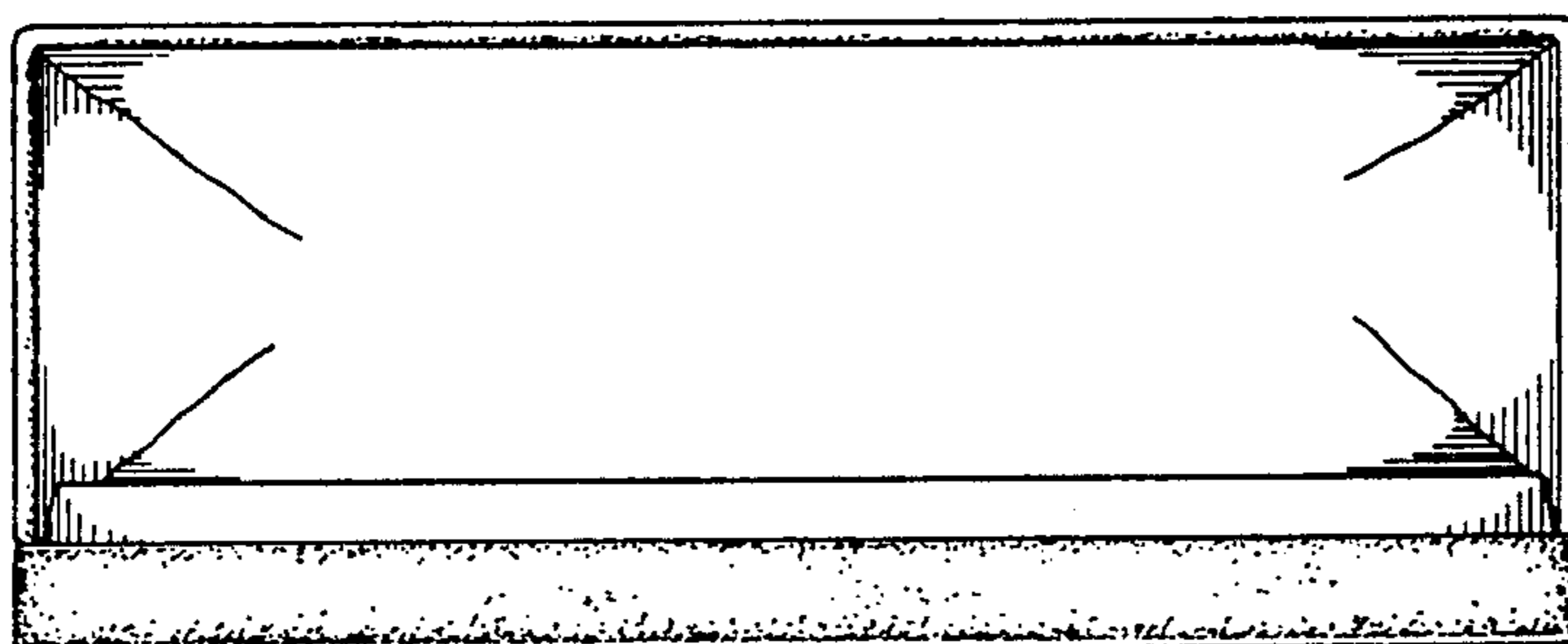


FIG. 3

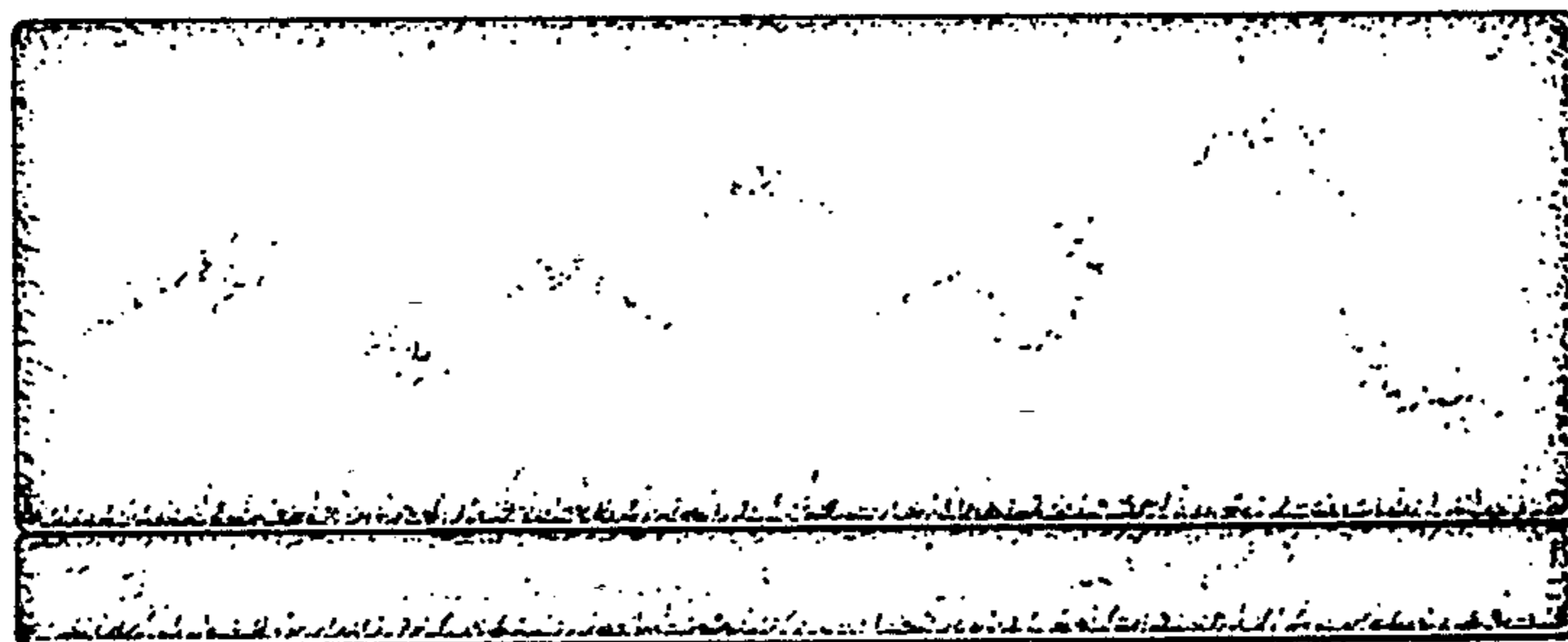


FIG. 4

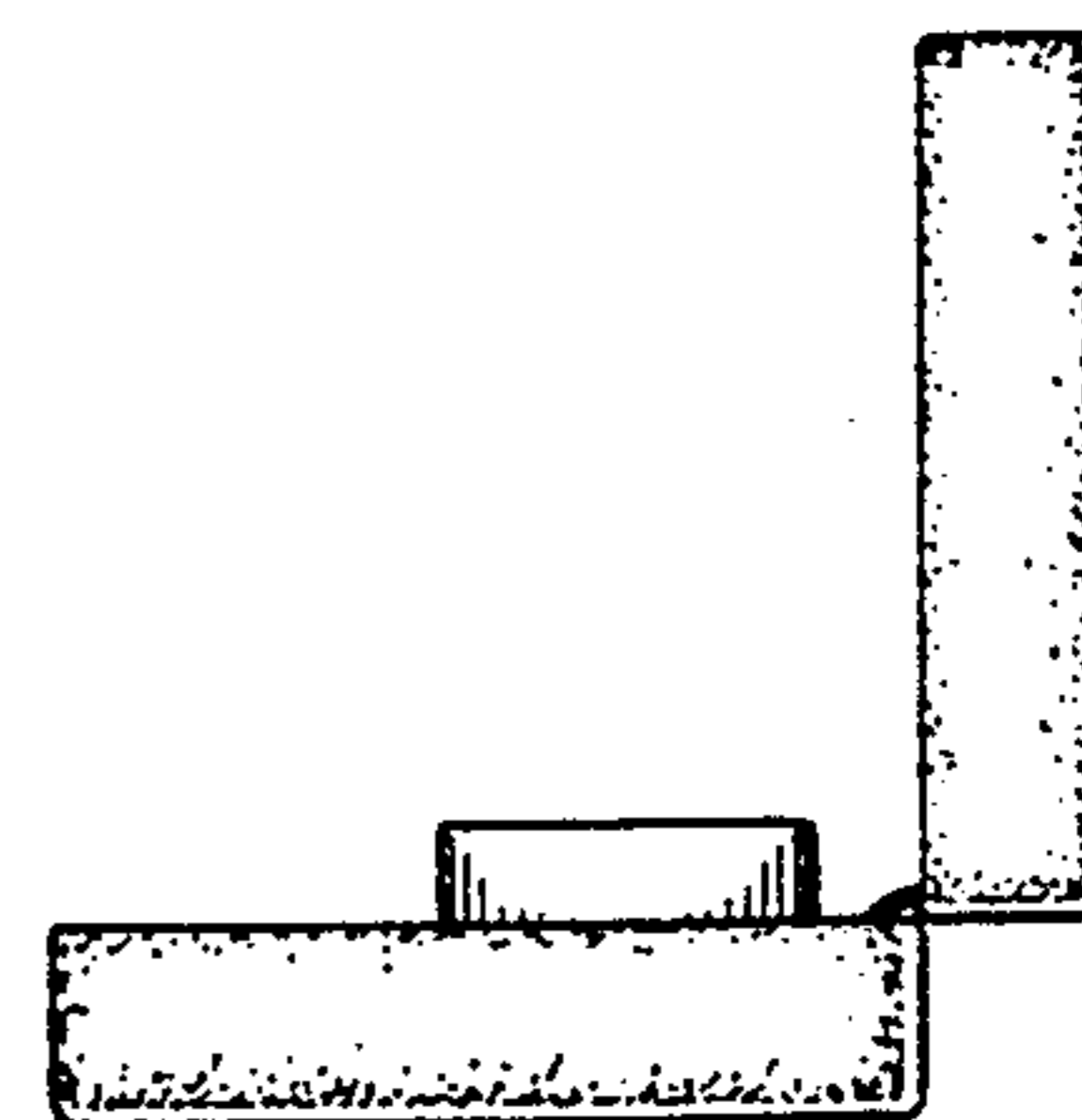


FIG. 5

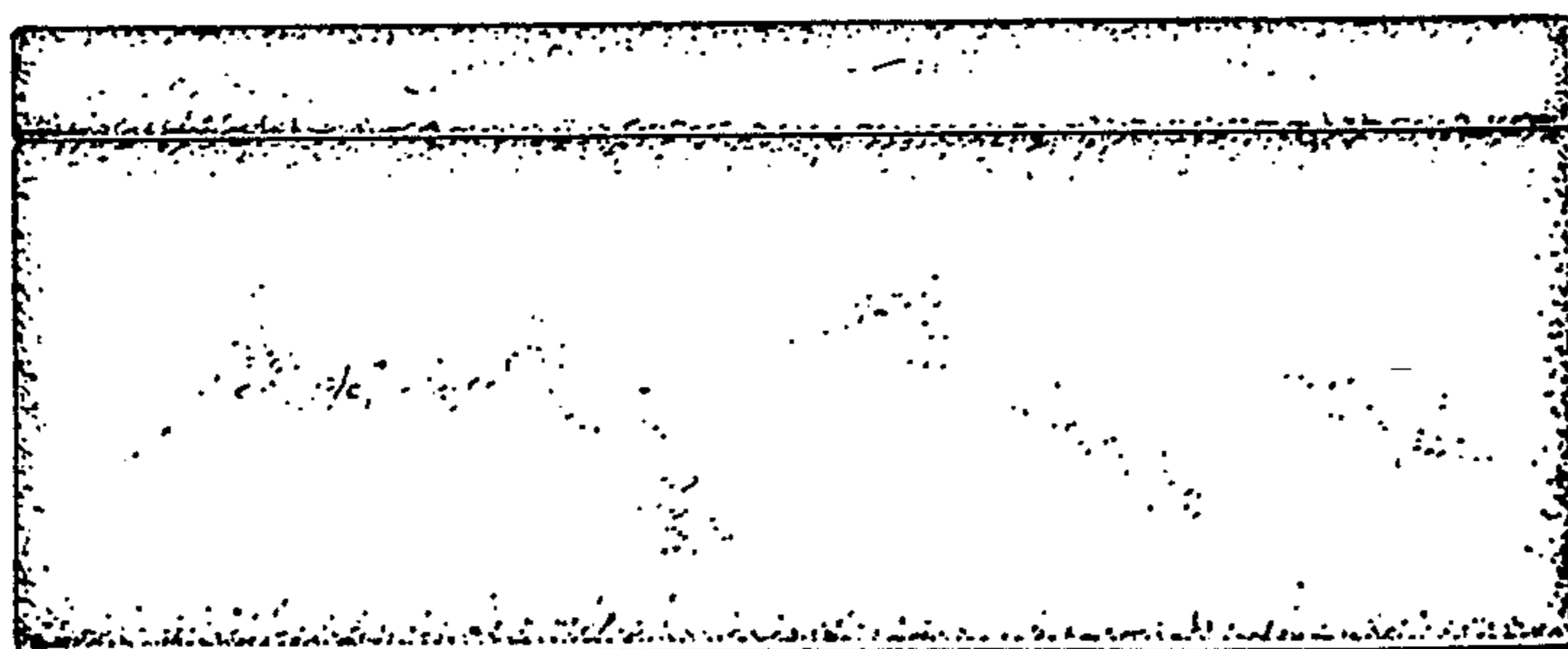


FIG. 6