

# United States Patent [19]

Melk

[11] Patent Number: Des. 321,283

[45] Date of Patent: \*\* Nov. 5, 1991

[54] CARRYING CASE TRAY BOTTOM FOR CASSETTES OR THE LIKE

[75] Inventor: Thomas J. Melk, Chicago, Ill.

[73] Assignee: Outer Circle Products, Ltd., Chicago, Ill.

[\*\*] Term: 14 Years

[21] Appl. No.: 274,031

[22] Filed: Nov. 21, 1988

[52] U.S. Cl. .... D3/74; D3/73; D3/76

[58] Field of Search ..... 206/562, 564, 563, 565, 206/387, 349, 326, 335, 309; D3/54, 30.1, 99, 35, 74; 211/40, 41, 88; 220/20, 22, 335; D6/310; 190/902; D19/86

[56] References Cited

### U.S. PATENT DOCUMENTS

D. 206,469 12/1966 Toms ..... D19/86 X

3,410,391 11/1968 Kanter ..... D3/74 X  
4,676,372 6/1987 Ragec ..... 206/425 X  
4,684,019 8/1987 Egly ..... 206/309  
4,776,457 10/1988 Ferraroni ..... 211/40

Primary Examiner—Louis S. Zarfes  
Assistant Examiner—M. N. Pandozzi  
Attorney, Agent, or Firm—Trexler, Bushnell, Giangiorgi & Blackstone, Ltd.

### [57] CLAIM

The ornamental design for a carrying case tray bottom for cassettes or the like, as shown and described.

### DESCRIPTION

FIG. 1 is a perspective view of my carrying case tray bottom for cassettes or the like showing my new design; FIG. 2 is a top plan view thereof as shown in FIG. 1; FIG. 3 is a side elevational view thereof; FIG. 4 is a rear elevational view thereof; FIG. 5 is a front elevational view thereof; and FIG. 6 is a bottom plan view thereof.

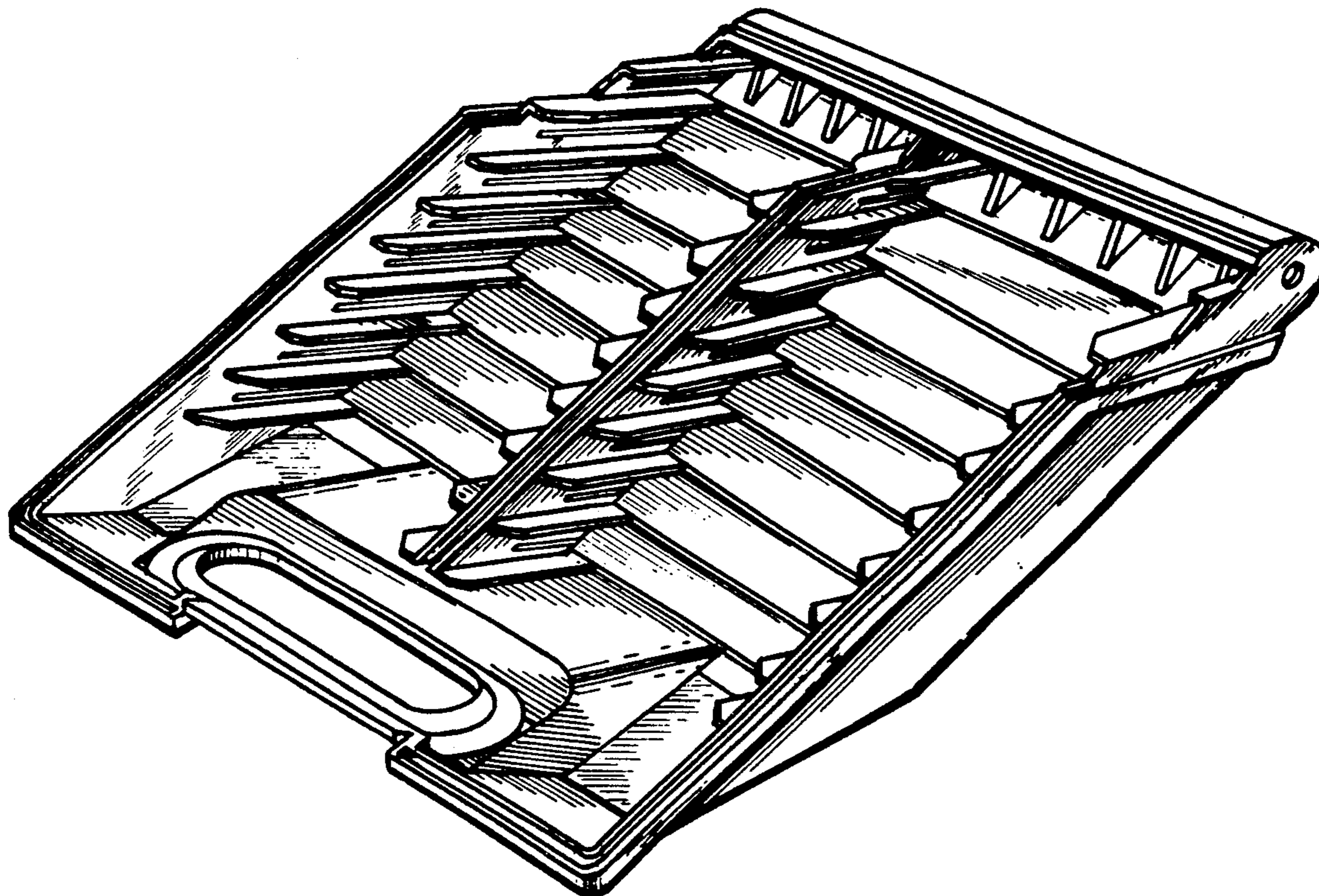


FIG. 1

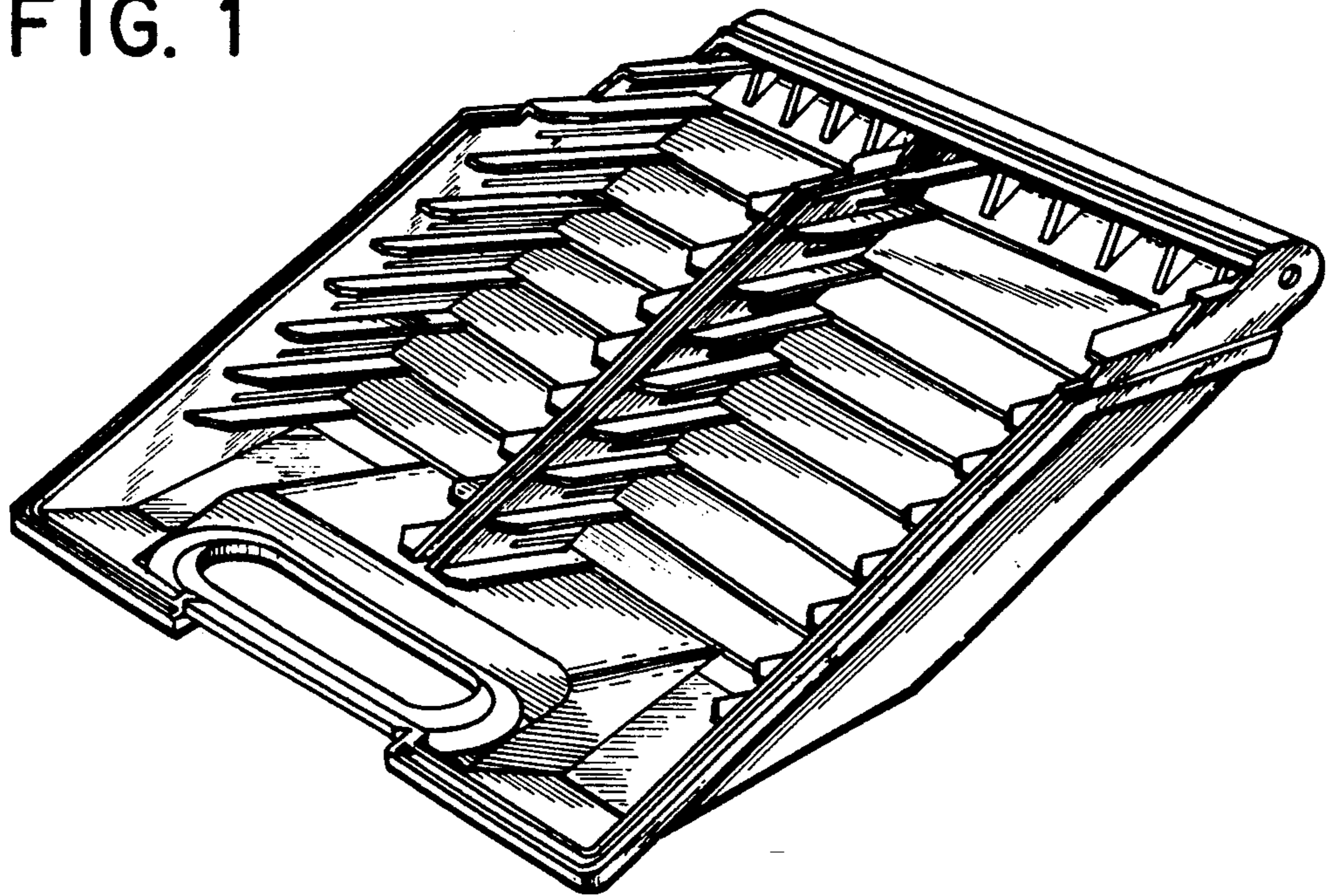


FIG. 2

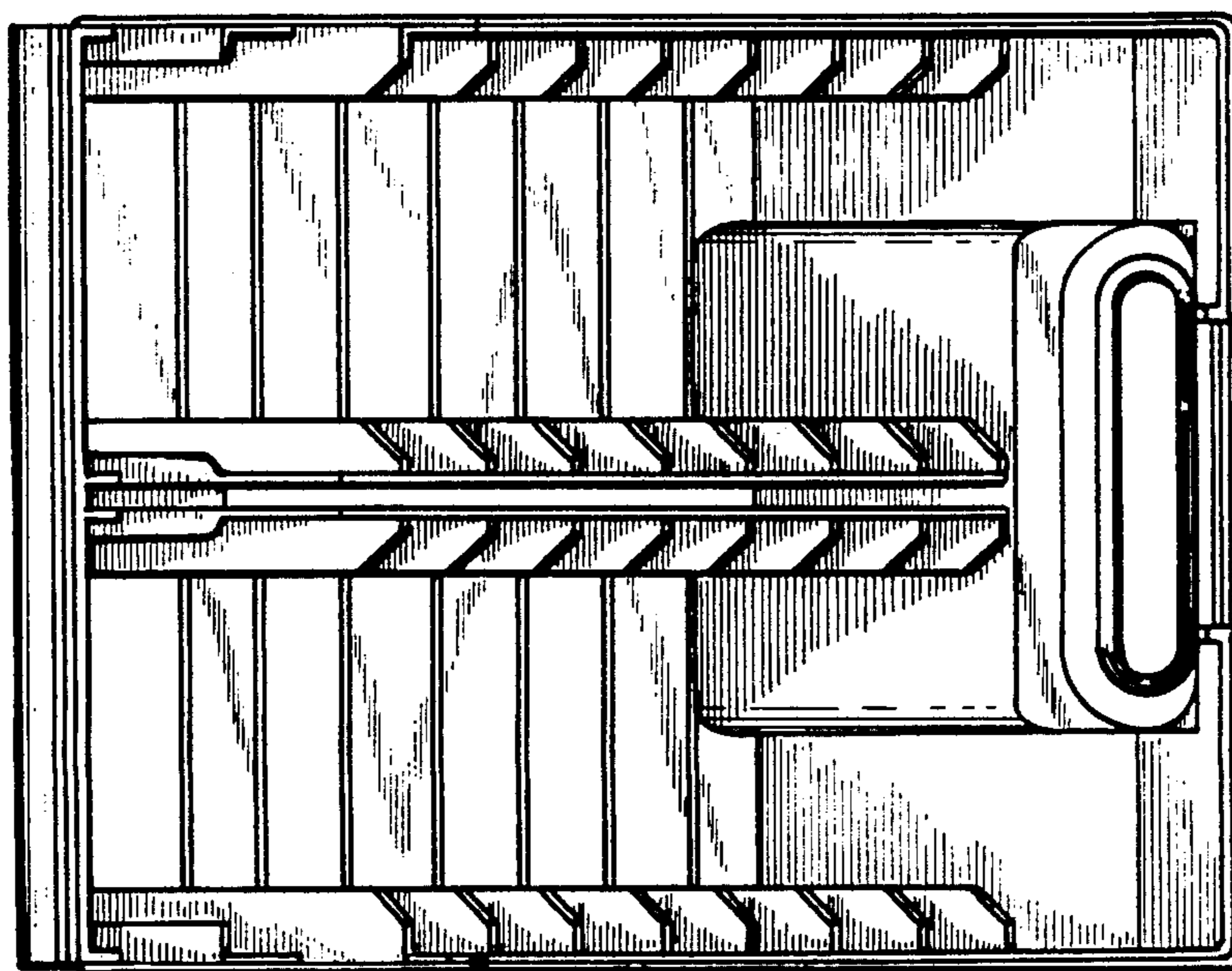


FIG. 3

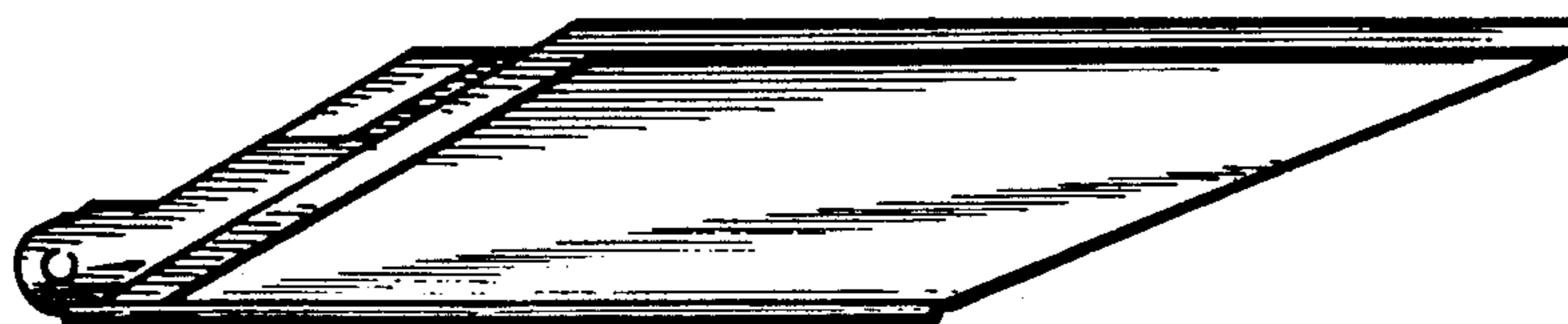




FIG. 4

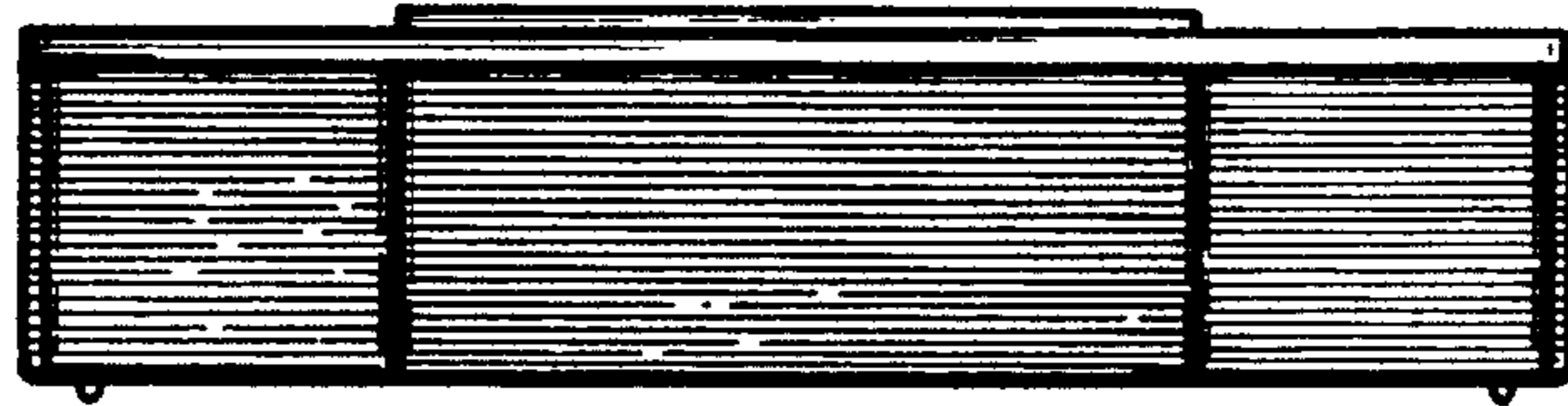


FIG. 5

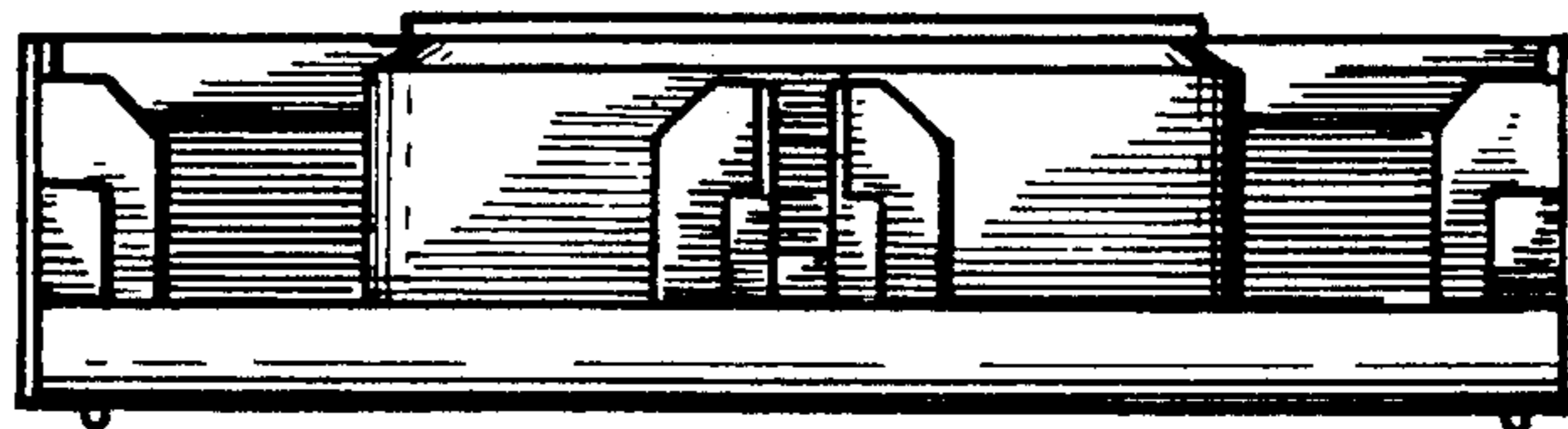


FIG. 6

