

[54] **FLY ROD CASE**

[76] **Inventor: Dennis Cooper, Site 12, R.R. #1, Winfield, B.C., Canada, V0H 2C0**

[\*\*] **Term: 14 Years**

[21] **Appl. No.: 219,131**

[22] **Filed: Jul. 15, 1988**

[52] **U.S. Cl. .... D3/38; D3/36**

[58] **Field of Search .... D3/38, 77, 104; 43/54.1; 206/315.2, 315.11; 224/236**

[56] **References Cited**

**U.S. PATENT DOCUMENTS**

D. 283,758	5/1986	Stewart et al. ....	D3/77 X
D. 298,699	11/1988	Glawe .....	D3/104
2,657,497	11/1953	Beaver .....	43/57.1
3,484,980	12/1969	Wait .....	43/57.1 X
3,515,263	6/1970	Carlson .....	206/315.11 X
4,437,258	3/1984	Allard .....	43/57.1

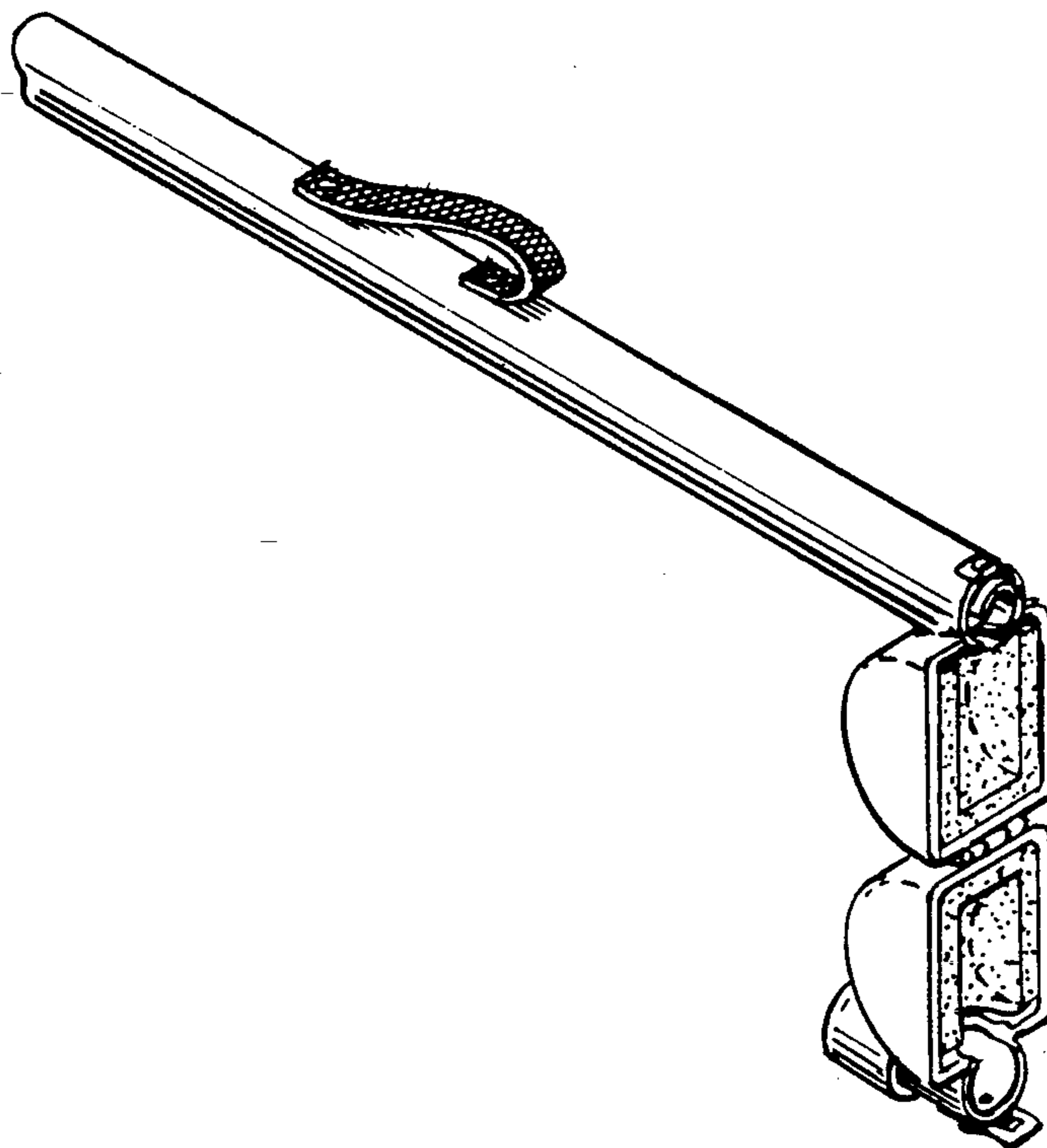
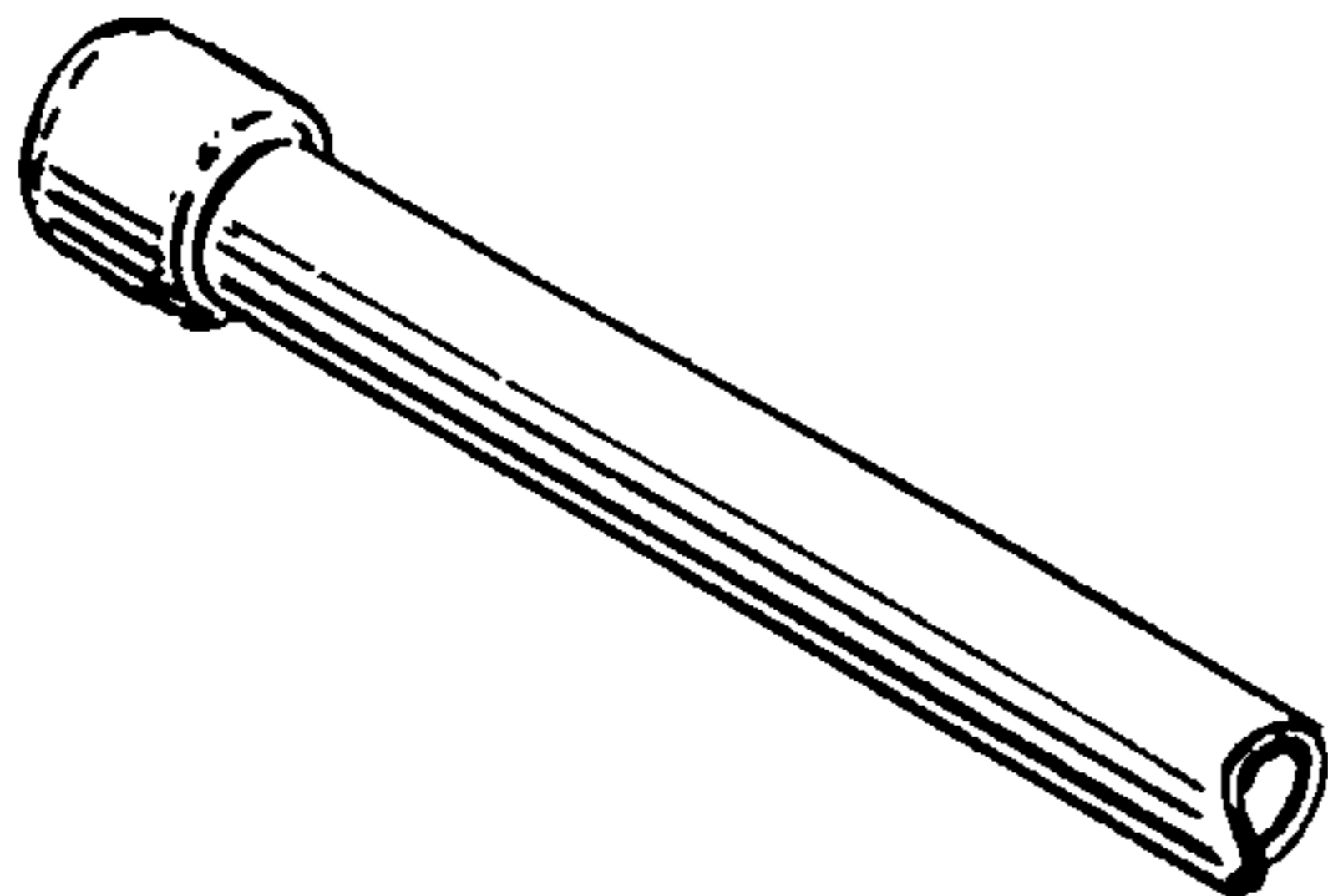
*Primary Examiner—Louis S. Zarfaz*  
*Assistant Examiner—M. N. Pandozzi*

[57] **CLAIM**

The ornamental design for a fly rod case, as shown and described.

**DESCRIPTION**

FIG. 1 is a perspective view of a fly rod case showing my new design in a closed position;  
 FIG. 2 is a perspective view thereof, in an open position;  
 FIG. 3 is a top plan view thereof, in a closed position;  
 FIG. 4 is a top plan view thereof, in an open position;  
 FIG. 5 is a left side elevational view thereof, in a closed position, the opposite side being, substantially, a mirror image thereof;  
 FIG. 6 is a left side elevational view thereof, in an open position, the opposite side being, substantially, a mirror image thereof;  
 FIG. 7 is a bottom plan view thereof, in a closed position;  
 FIG. 8 is a rear elevational view thereof, in a closed position;  
 FIG. 9 is a rear elevational view thereof, in an open position; and  
 FIG. 10 is a front end elevational view thereof.



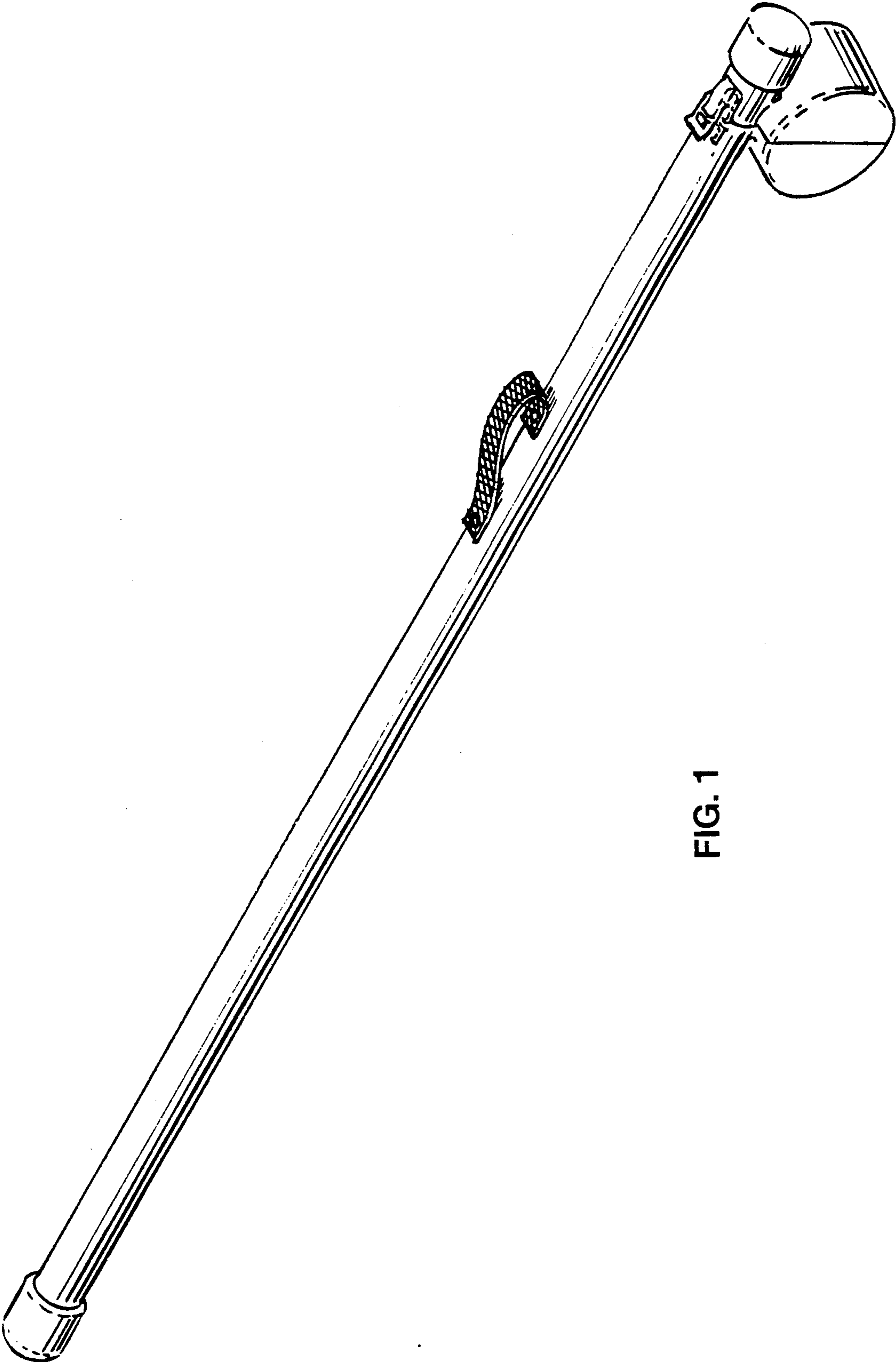


FIG. 1

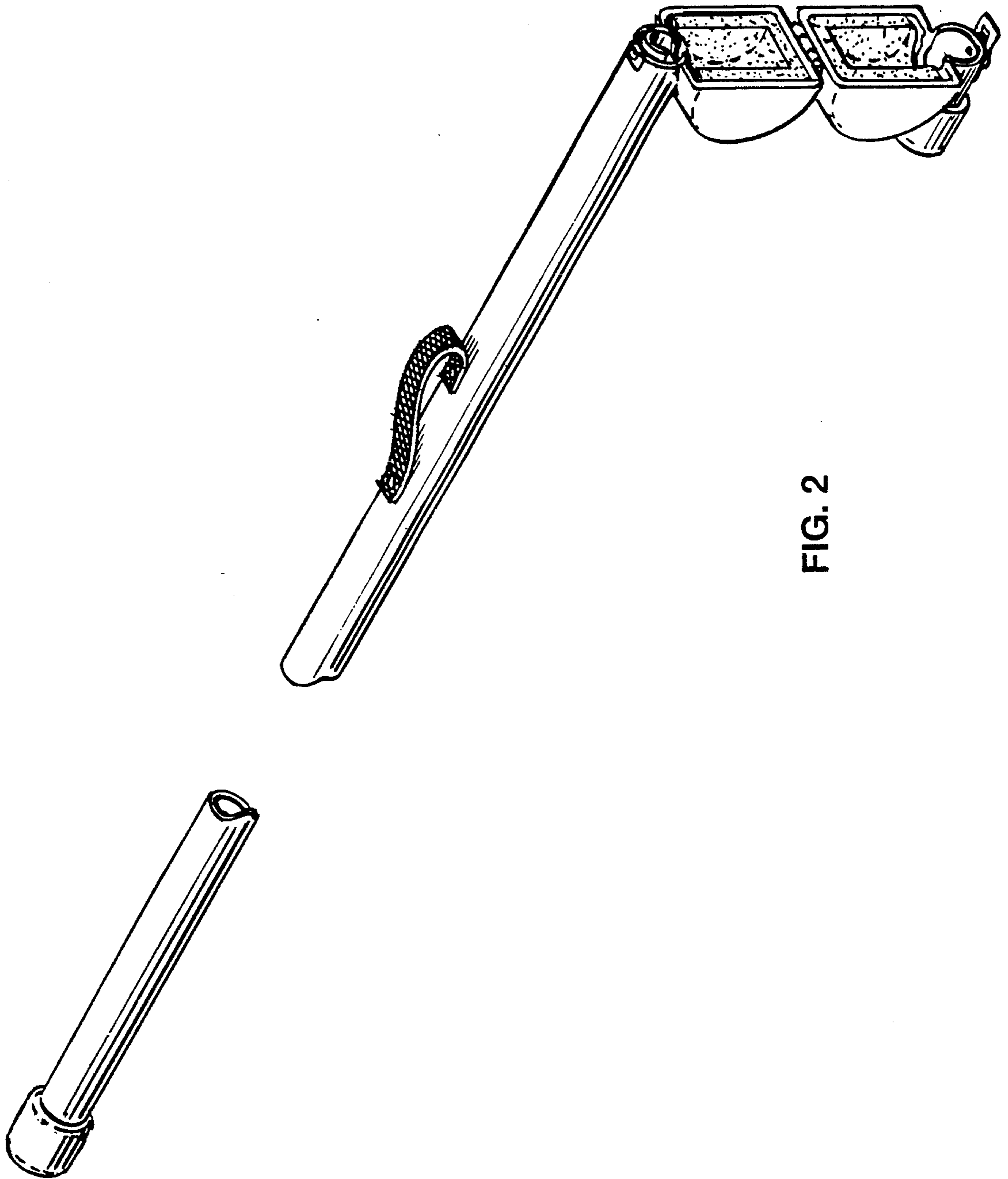


FIG. 2



FIG. 3



FIG. 4

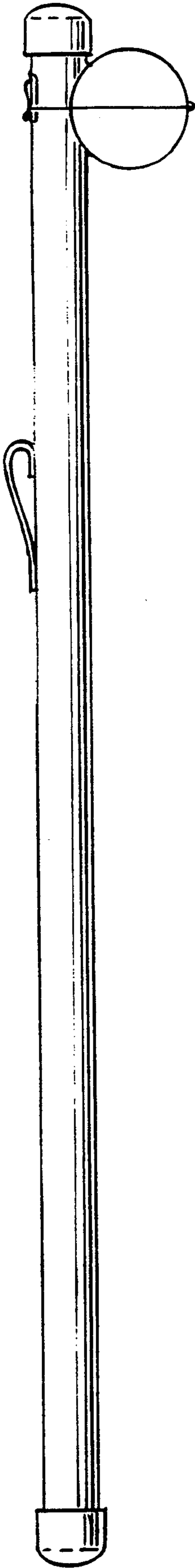


FIG. 5

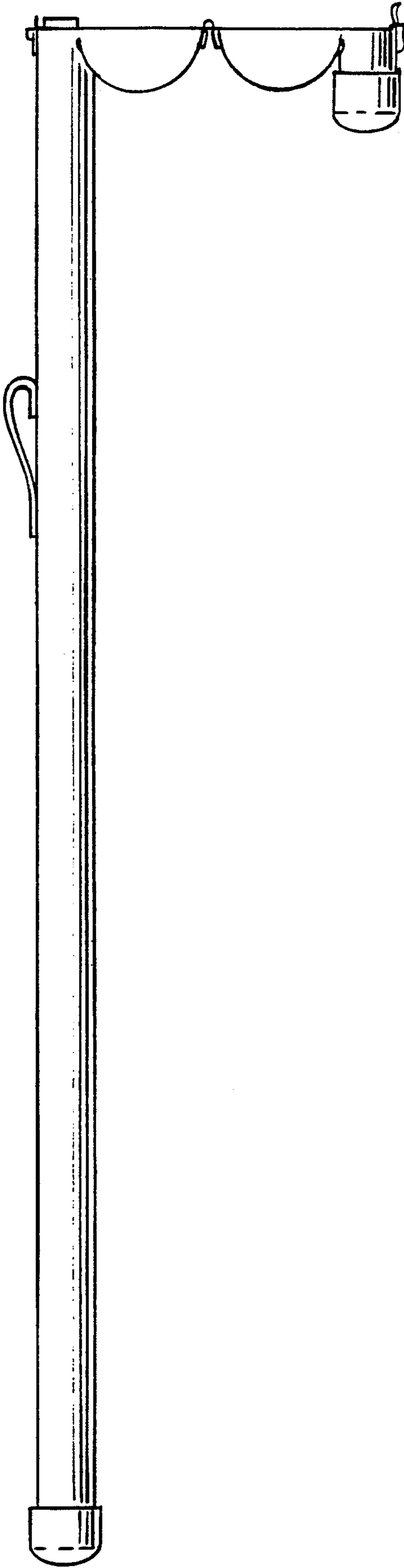


FIG. 6

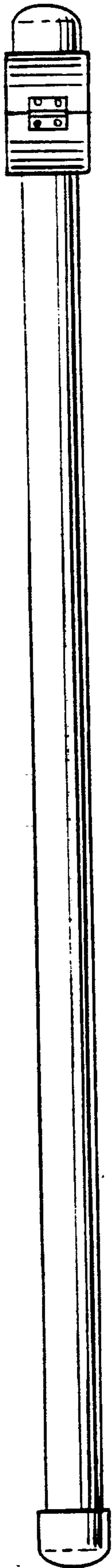


FIG. 7



FIG. 8

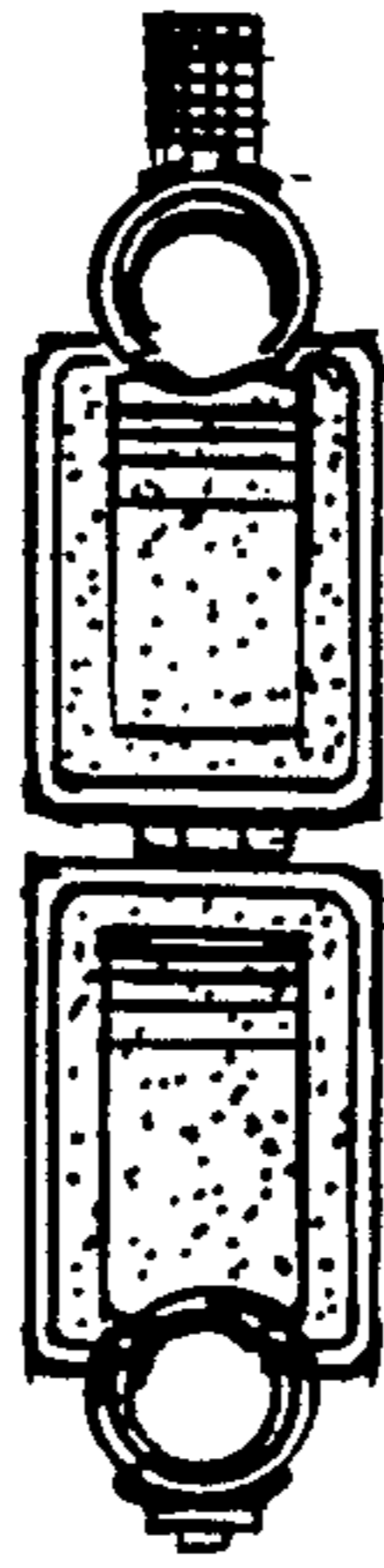


FIG. 9



FIG. 10