

[54] **SKI BOOT TOTE**
 [76] **Inventor: Robert J. Holcomb, E. 317 Silver Pines Ct., Colbert, Wash. 99005**
 [**] **Term: 14 Years**
 [21] **Appl. No.: 236,133**
 [22] **Filed: Aug. 24, 1988**
 [52] **U.S. Cl. D3/36; D3/30.1; D3/99**
 [58] **Field of Search D3/36, 99, 104, 30.1; 206/315.1; 224/202, 917; D8/DIG. 6, DIG. 1, 300, 307, 314, 315, 4; D28/46, 48; D32/61; D7/683, 686**

3,000,067 9/1961 Hanflig .
 3,209,870 10/1965 Johns D3/36 X
 3,251,622 5/1966 Miller .
 4,488,748 12/1984 Burkes 294/147
 4,558,896 12/1985 Farnworth 294/156
 4,730,863 3/1988 Guadnola 294/156

FOREIGN PATENT DOCUMENTS

998112 5/1965 United Kingdom .

Primary Examiner—Louis S. Zarfaz
Assistant Examiner—M. N. Pandozzi
Attorney, Agent, or Firm—Wells, St. John & Roberts

[57] **CLAIM**

The ornamental design for ski boot tote, as shown and described.

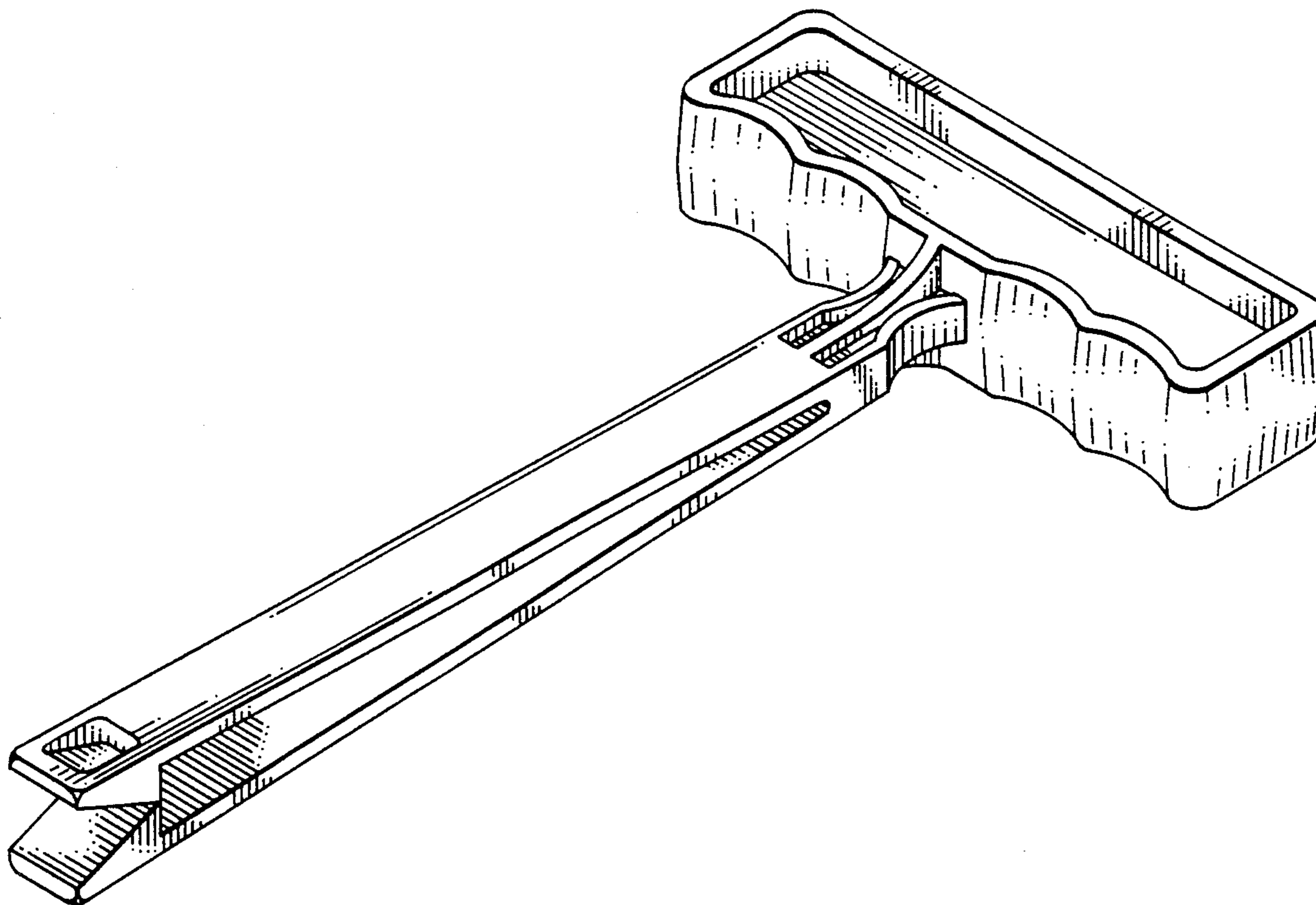
DESCRIPTION

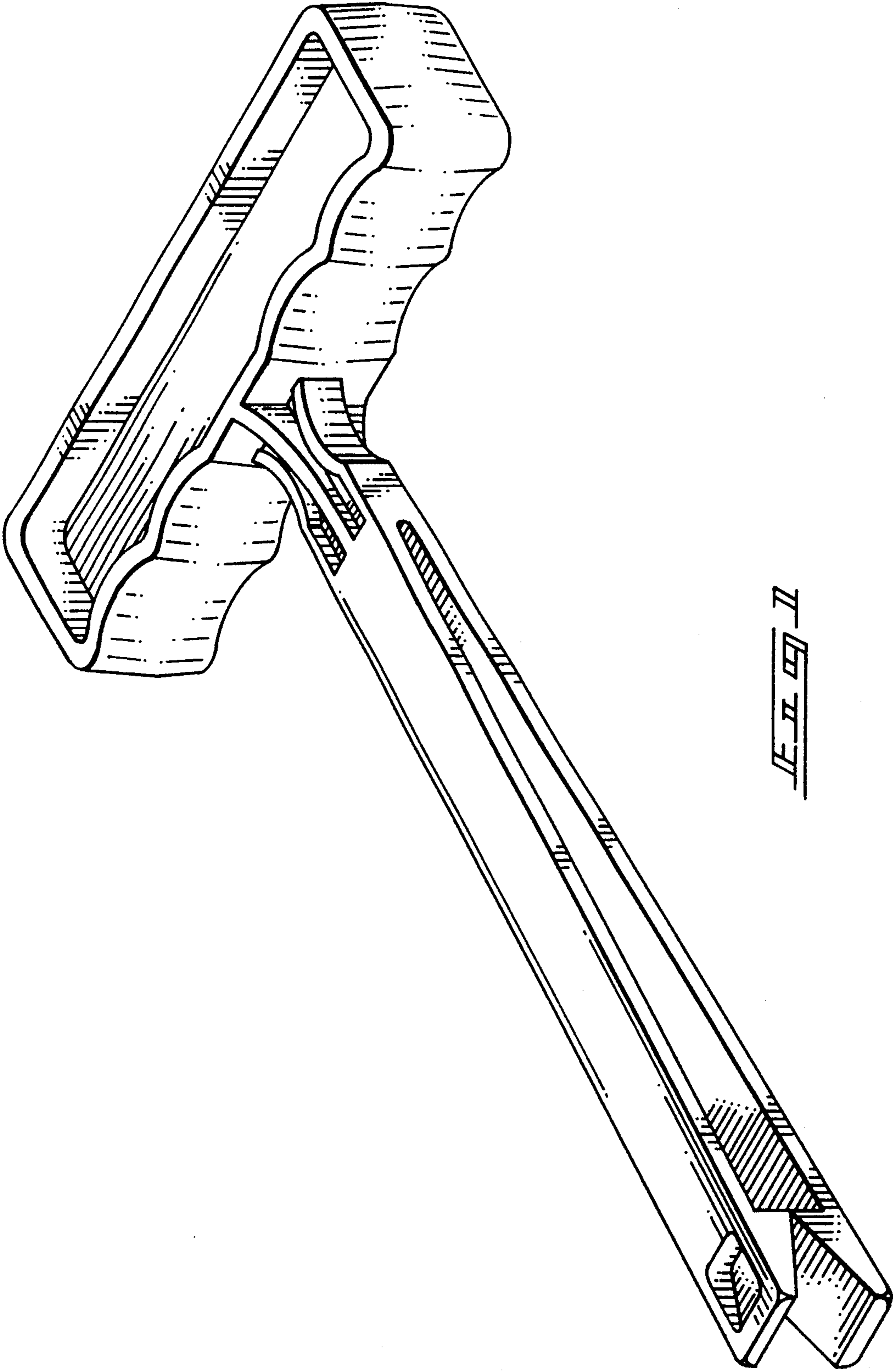
FIG. 1 is a perspective view of a ski boot tote showing my new design;
 FIG. 2 is a front elevational view, the rear elevational view being a mirror image thereof;
 FIG. 3 is a top plan view thereof;
 FIG. 4 is a left side elevational view, the right side being a mirror image thereof;
 FIG. 5 is a bottom plan view thereof;
 FIG. 6 is a perspective view of the tote in use.
 The broken line showing of a hand and ski boots in FIG. 6 is for illustrative purposes only and forms no part of the claimed design.

[56] **References Cited**

U.S. PATENT DOCUMENTS

141,024 7/1873 Willis .
 D. 203,935 3/1966 Kleber D8/DIG. 1
 D. 256,520 8/1980 DiCarlo et al. D3/36
 D. 256,521 8/1980 Bishop D3/36
 D. 278,878 5/1985 Workman et al. D3/99 X
 317,451 5/1885 Frey .
 1,141,005 5/1915 Reifsnyder .
 1,323,009 11/1919 Burnham .
 1,742,867 1/1930 Levi .
 1,939,897 12/1933 Hill D8/1 X
 2,194,024 3/1940 Kuhn .
 2,823,155 2/1958 Brown et al. 224/202 X





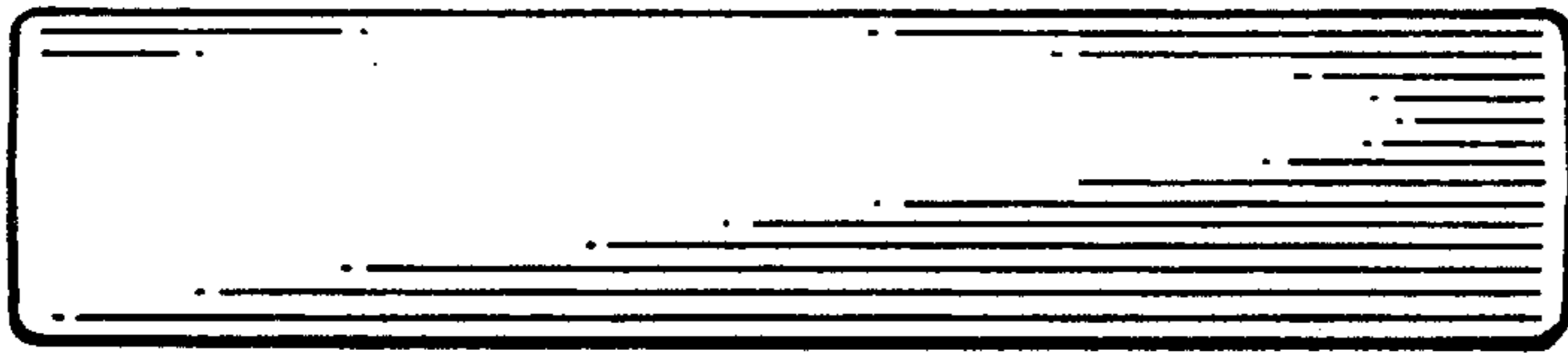


Fig. 3

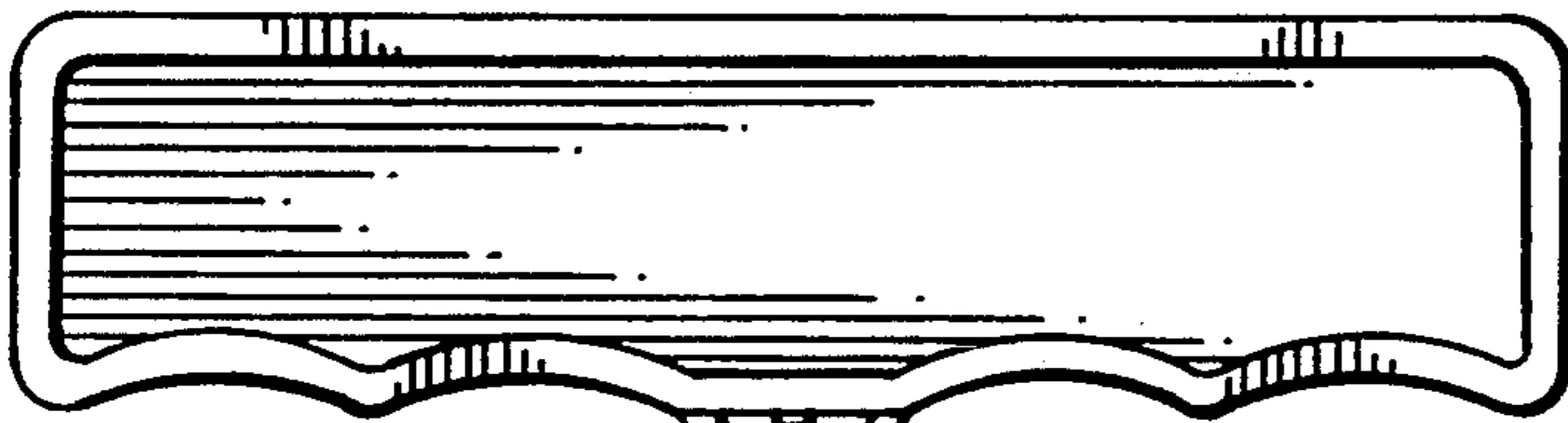


Fig. 2



Fig. 4

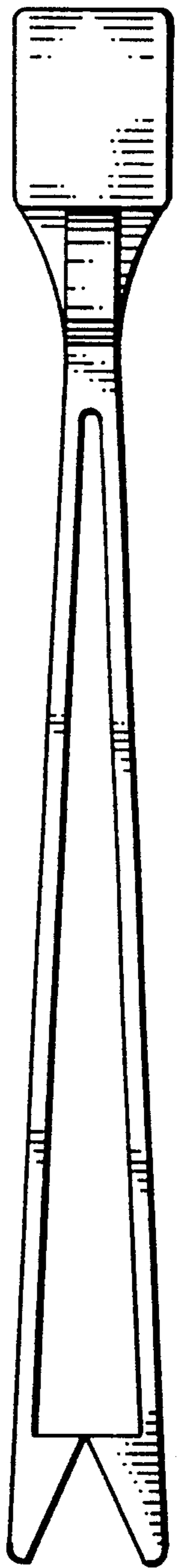


Fig. 5

