

[54] YARN HOLDER OR SIMILAR ARTICLE

[76] Inventors: John T. Tussing; Ronald D. Tussing, both of Rte. 1, Box 229T, Rusk, Tex. 75785

[**] Term: 14 Years

[21] Appl. No.: 244,256

[22] Filed: Sep. 14, 1988

[52] U.S. Cl. D3/26; D3/20

[58] Field of Search D3/23, 18, 20, 24, 25, D3/26; D6/486, 469; 242/134, 137, 118.4, 138, 139, 140, 141, 146, 137.1

751,214	2/1904	Steeb	242/146
876,157	1/1908	Empfield .	
1,174,637	3/1916	Stupfell	242/141
3,610,293	10/1971	Phillips	139/122 R
3,955,722	5/1976	Bard	223/106

Primary Examiner—Louis S. Zarfes
Assistant Examiner—M. N. Pandozzi
Attorney, Agent, or Firm—Terry M. Gernstein

[57] CLAIM

The ornamental design for a yarn holder or similar article, as shown.

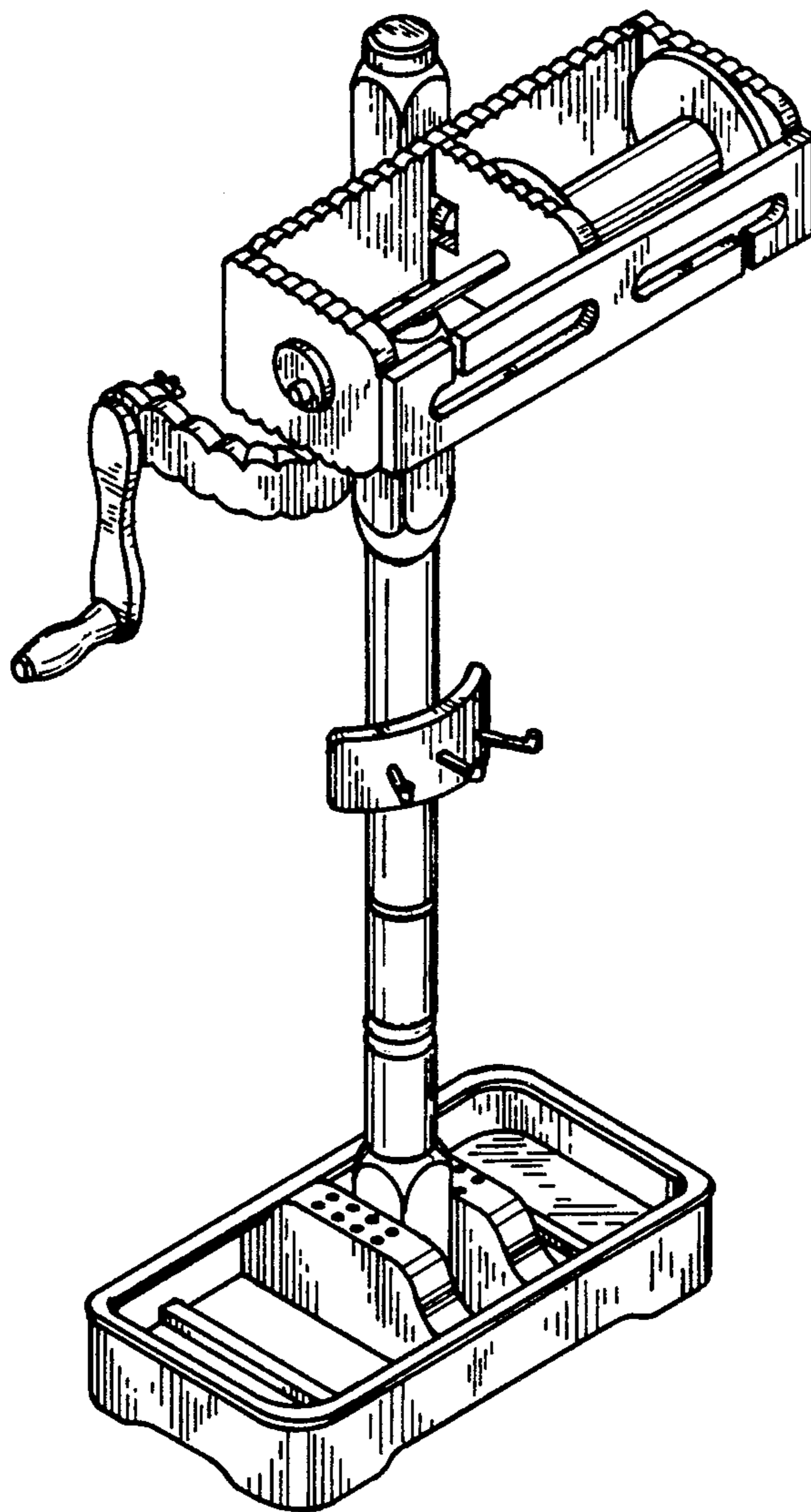
DESCRIPTION

FIG. 1 is a perspective view of a yarn holder or similar article showing our new design;
FIG. 2 is a front elevational view thereof;
FIG. 3 is a rear elevational view thereof;
FIG. 4 is a left side elevational view thereof;
FIG. 5 is a right side elevational view thereof;
FIG. 6 is a top plan view thereof; and
FIG. 7 is a bottom plan view thereof.

[56] References Cited

U.S. PATENT DOCUMENTS

D. 161,250	12/1950	Delucchi	D3/23
D. 270,397	9/1983	Zelmer	D3/23
359,430	3/1887	Clarke .	
605,254	6/1898	Mason .	
623,493	4/1899	Tivy et al.	242/141



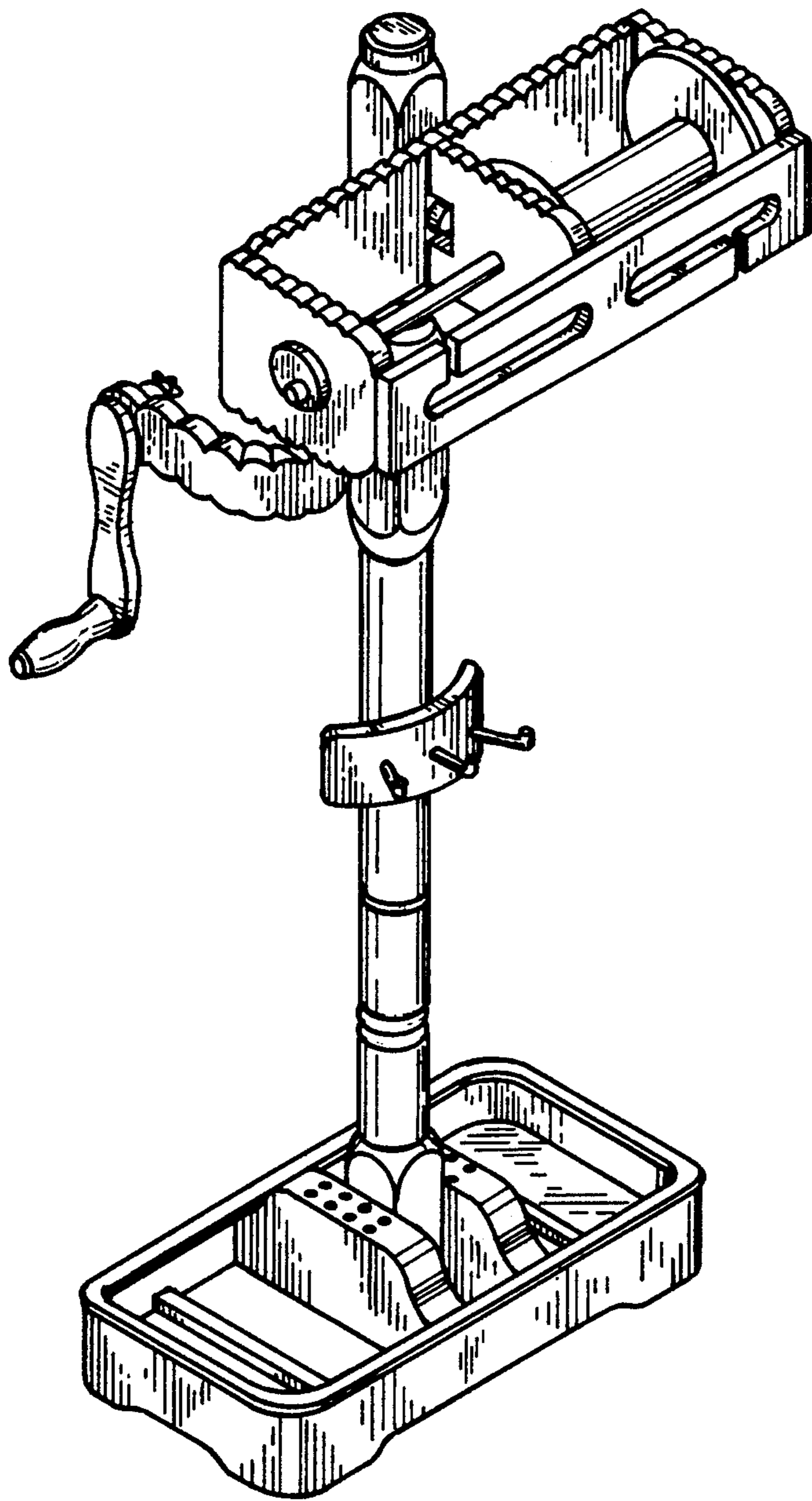


FIG. 1

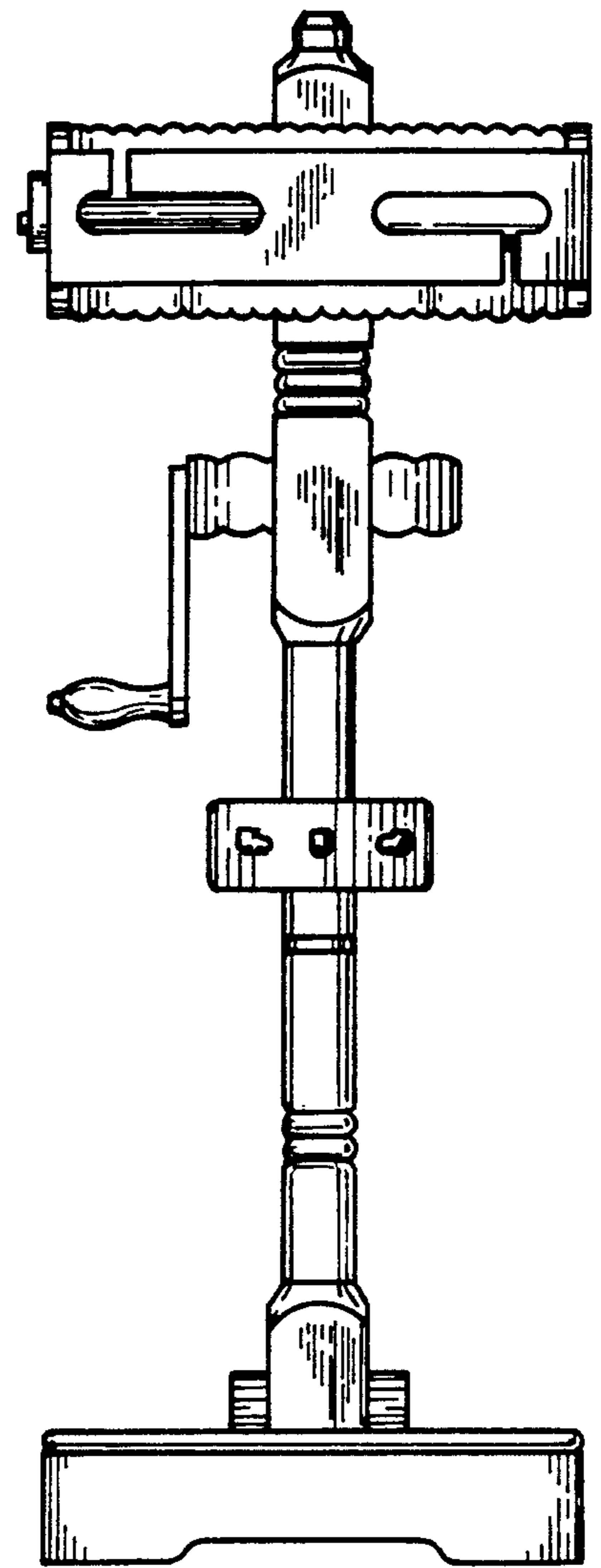


FIG. 2

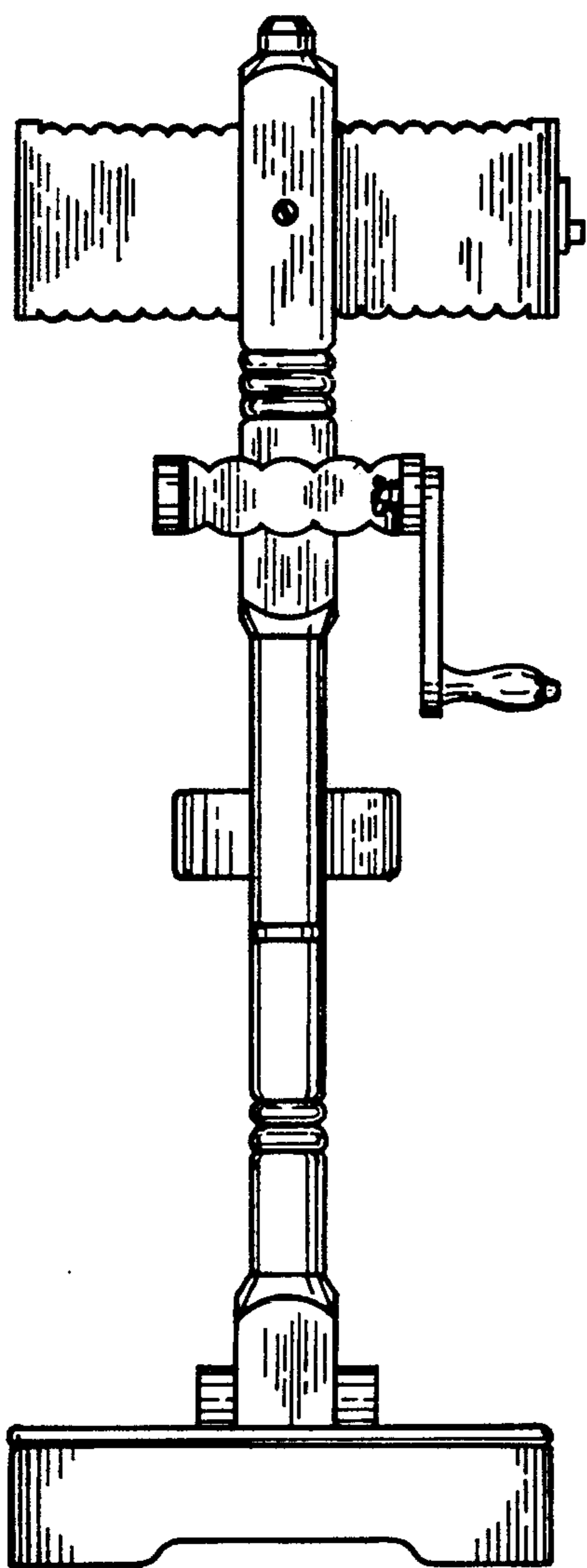


FIG. 3

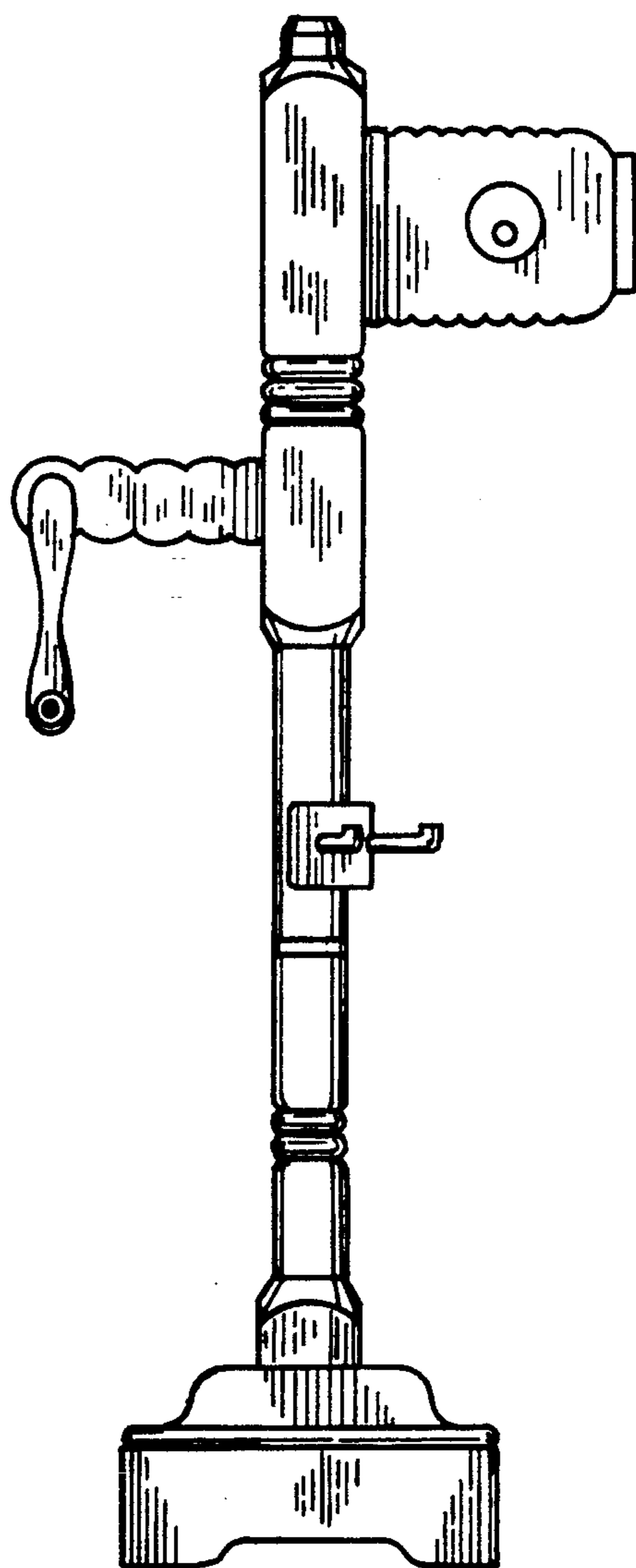


FIG. 4

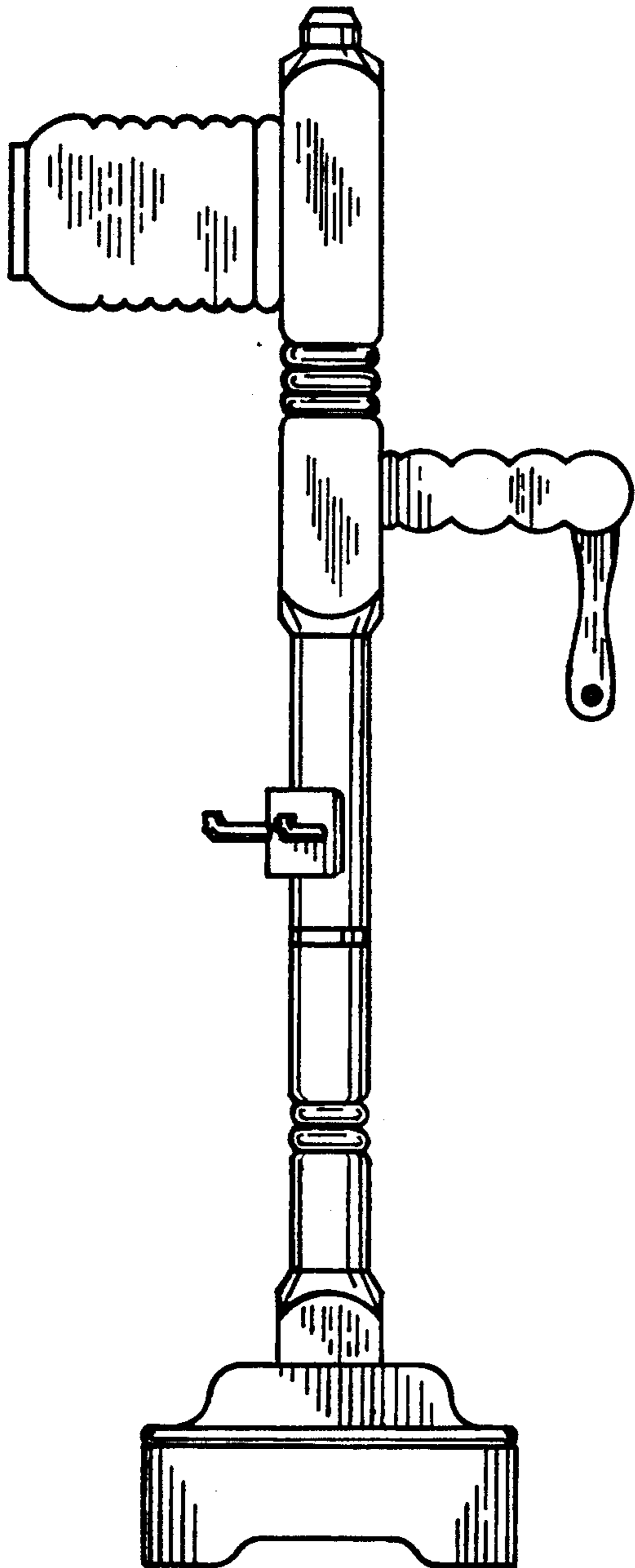


FIG. 5

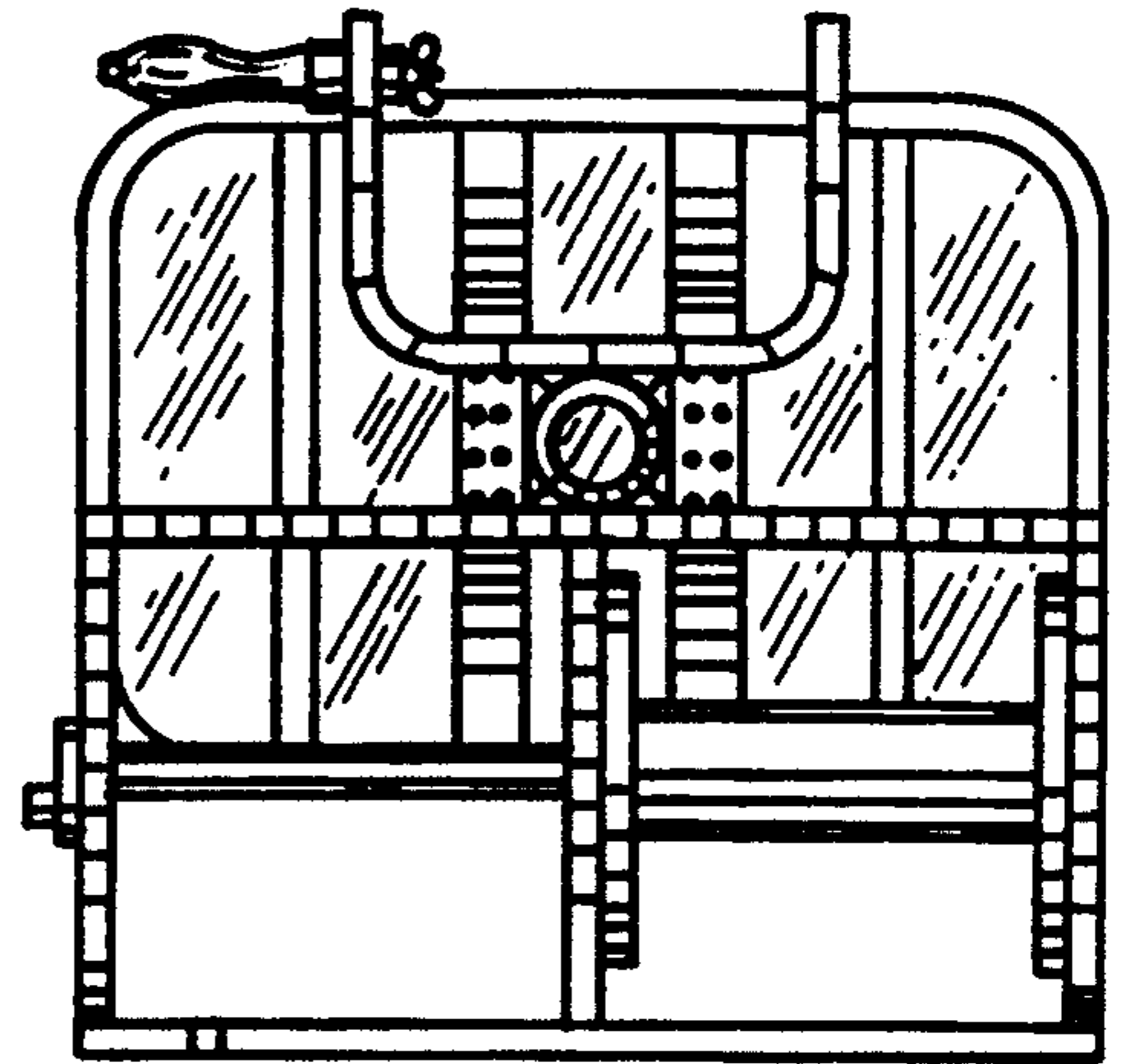


FIG. 6

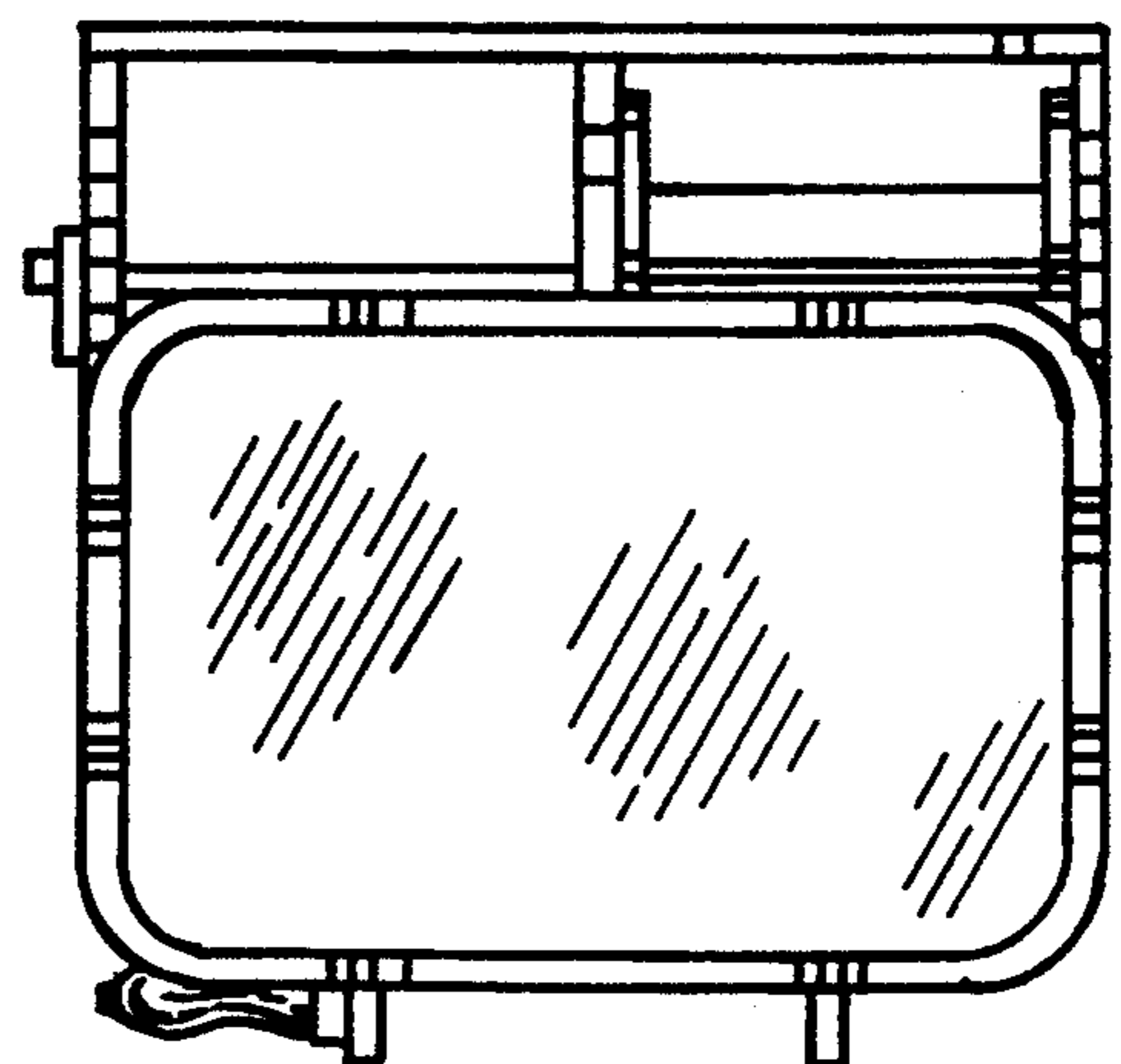


FIG. 7