

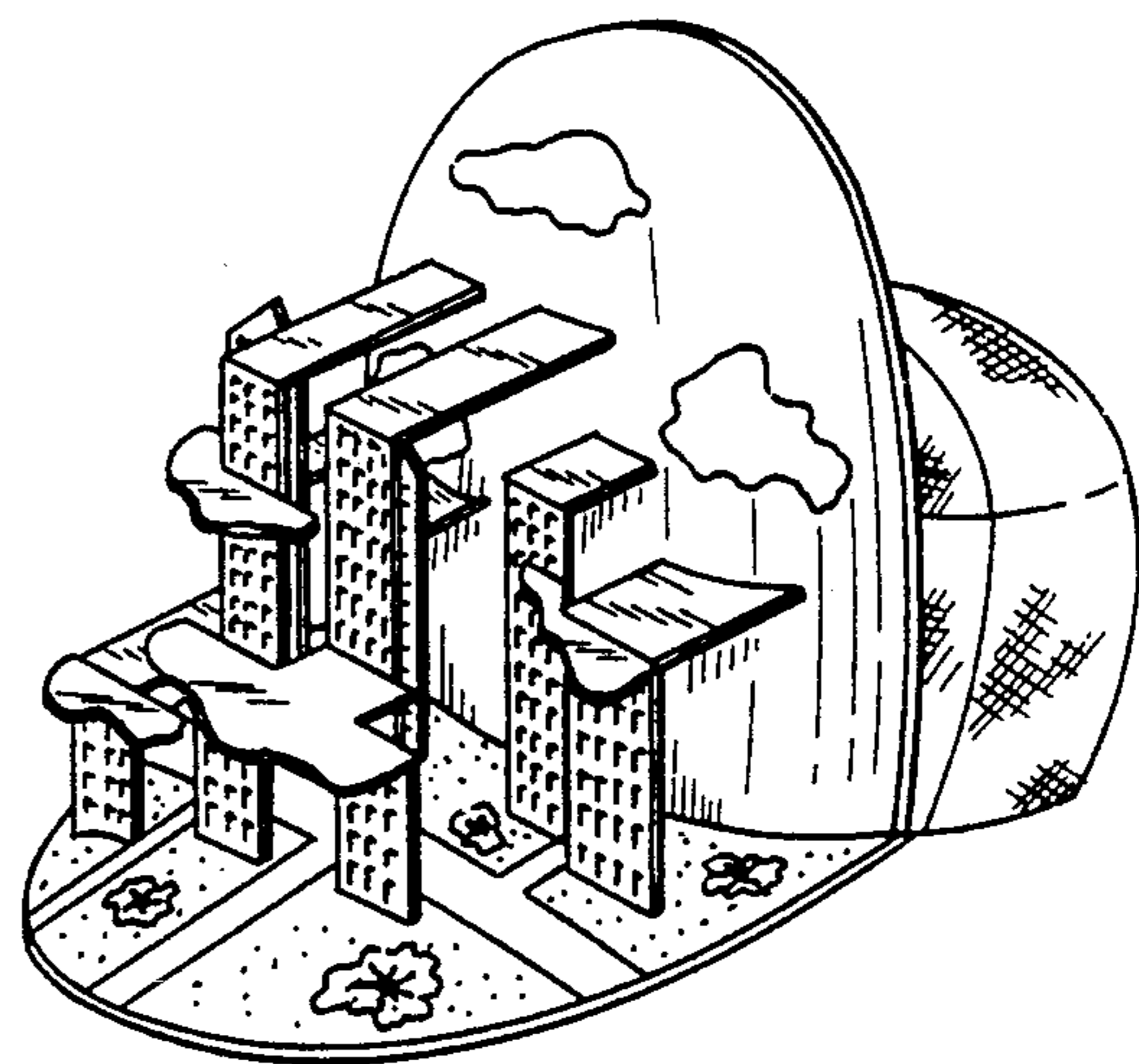
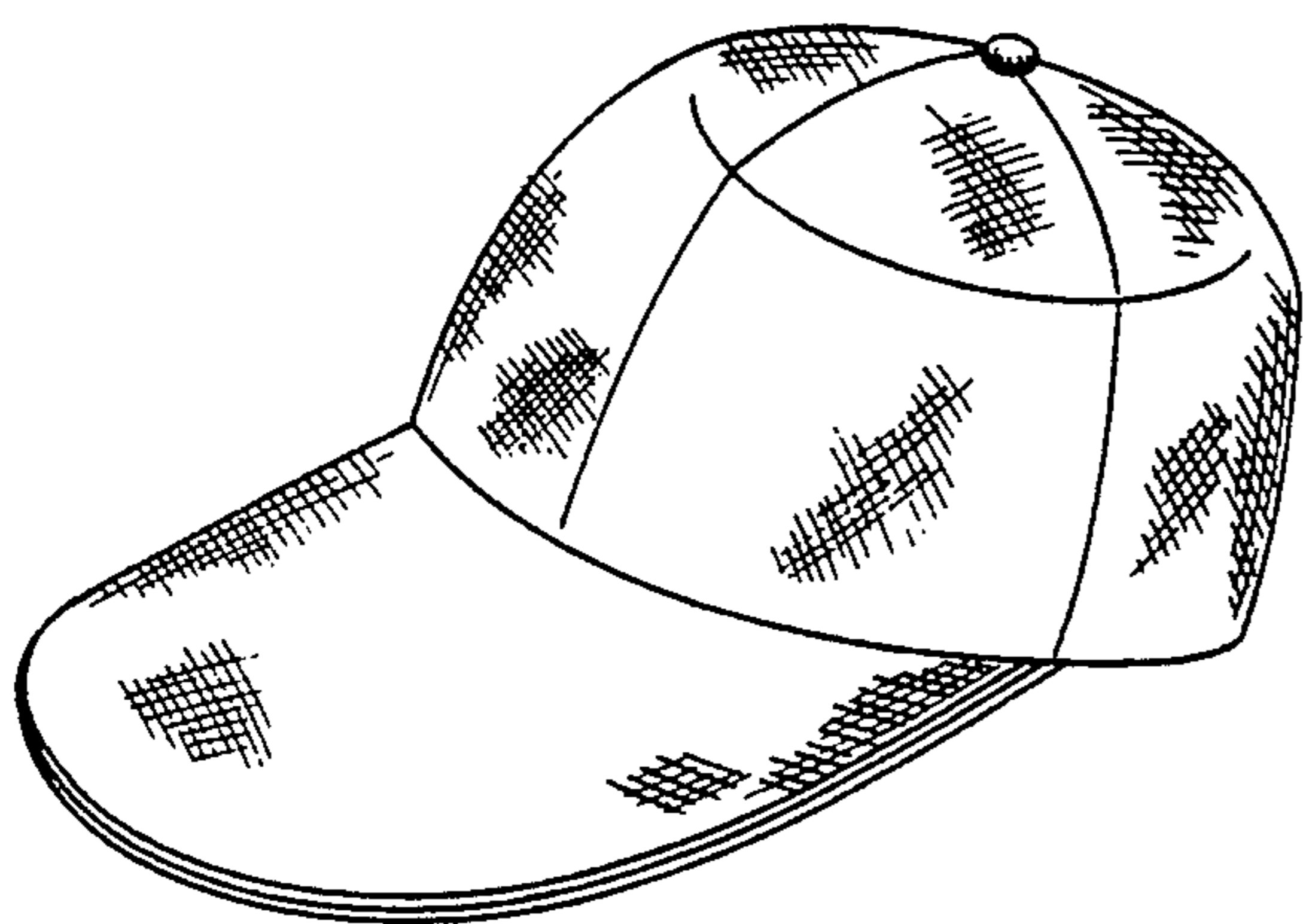
[54] **NOVELTY HAT**
[76] **Inventor: Kyoung M. Hur, 405 Park Ave., Apt. N, Rutherford, N.J. 07070**
[**] **Term: 14 Years**
[21] **Appl. No.: 285,948**
[22] **Filed: Dec. 19, 1988**
[52] **U.S. Cl. D2/248**
[58] **Field of Search D2/248, 244, 250; 2/195, 199, 185 R, 191; 446/27; D19/1, 2, 6; 40/124.1**

[56] **References Cited**
U.S. PATENT DOCUMENTS
2,648,847 8/1953 Crowder 2/199
2,915,231 12/1959 Henschel 2/199 X
4,182,060 1/1980 Longenecker 40/124.1
4,768,232 9/1988 Villalobos 2/195 X
4,777,667 10/1988 Patterson et al. 446/27 X
4,874,356 10/1989 Volkert 40/124.1 X

Primary Examiner—A. Hugo Word
Assistant Examiner—Paula Allen
Attorney, Agent, or Firm—Birch, Stewart, Kolasch & Birch

[57] **CLAIM**
The ornamental design for a novelty hat, as shown.

DESCRIPTION
FIG. 1 is a front perspective view of a novelty hat with the visor in a closed position showing my new design; FIG. 2 is a front perspective view with a visor in an open position thereof; FIG. 3 is a front elevational view with the visor in an open position thereof; FIG. 4 is a top plan view with the visor in an open position thereof; FIG. 5 is a side elevational view with the visor in an open position thereof; FIG. 6 is a rear elevational view with the visor in a closed position thereof; and FIG. 7 is a bottom plan view thereof.



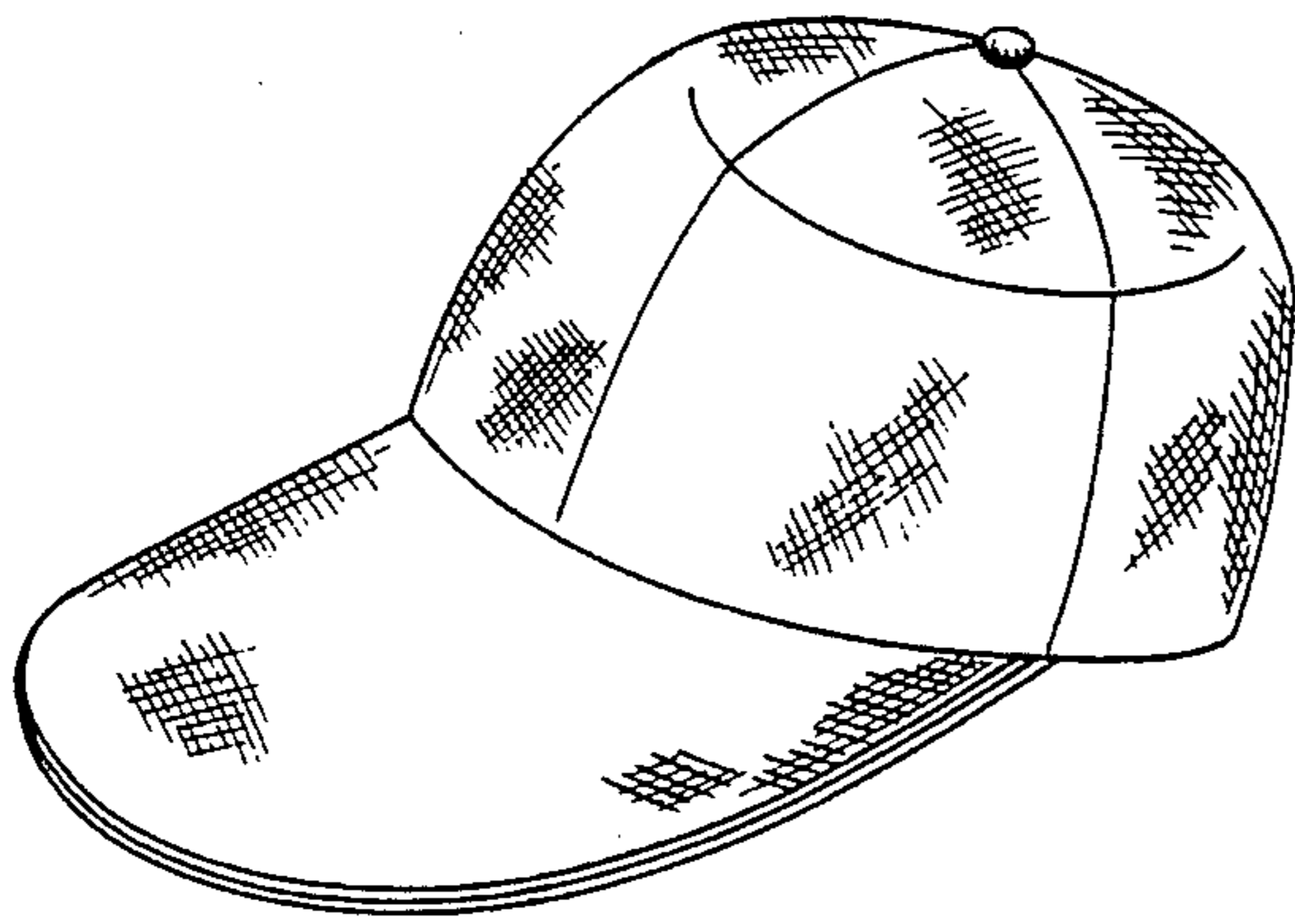


FIG. 1

FIG. 2

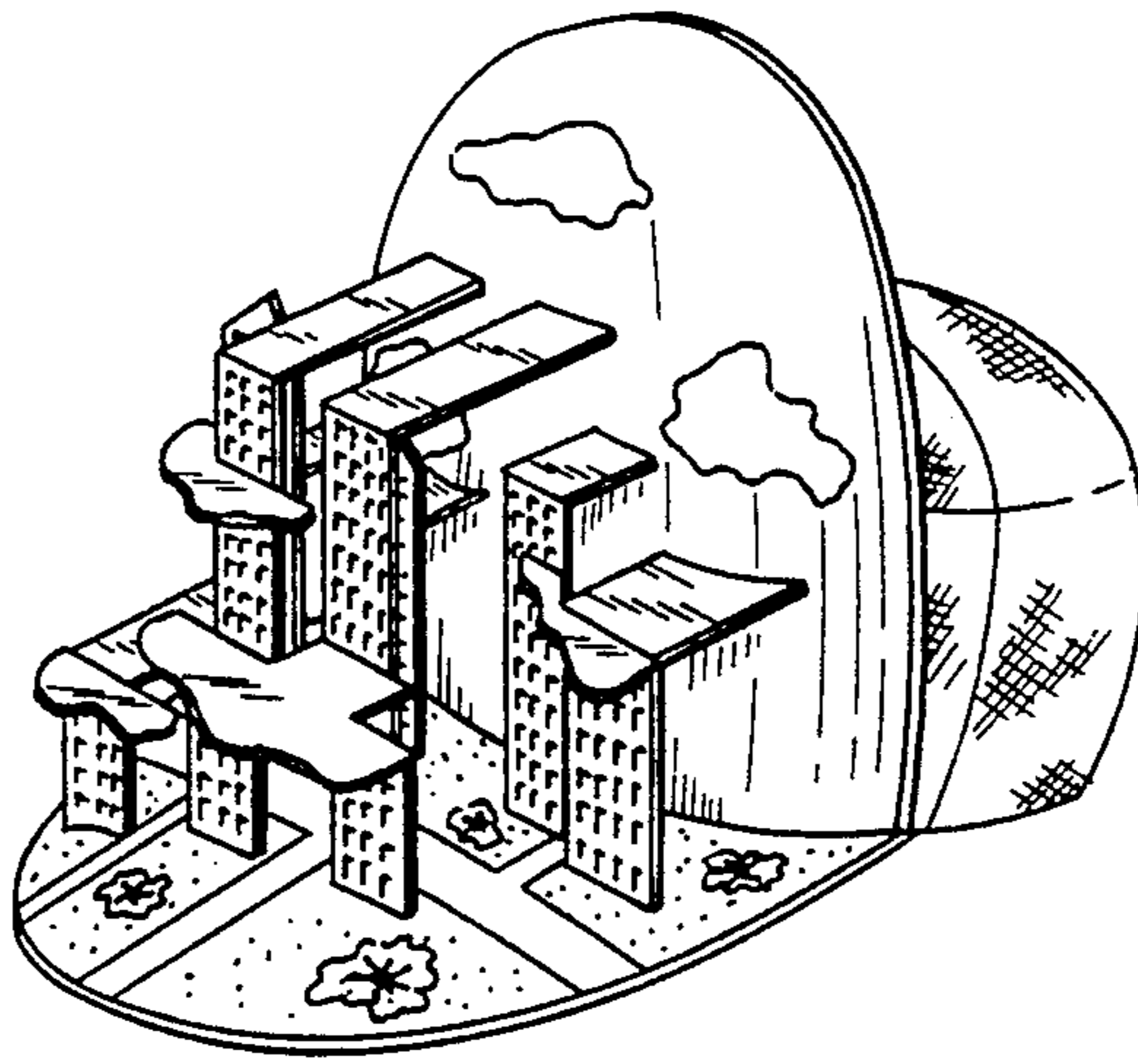


FIG. 3

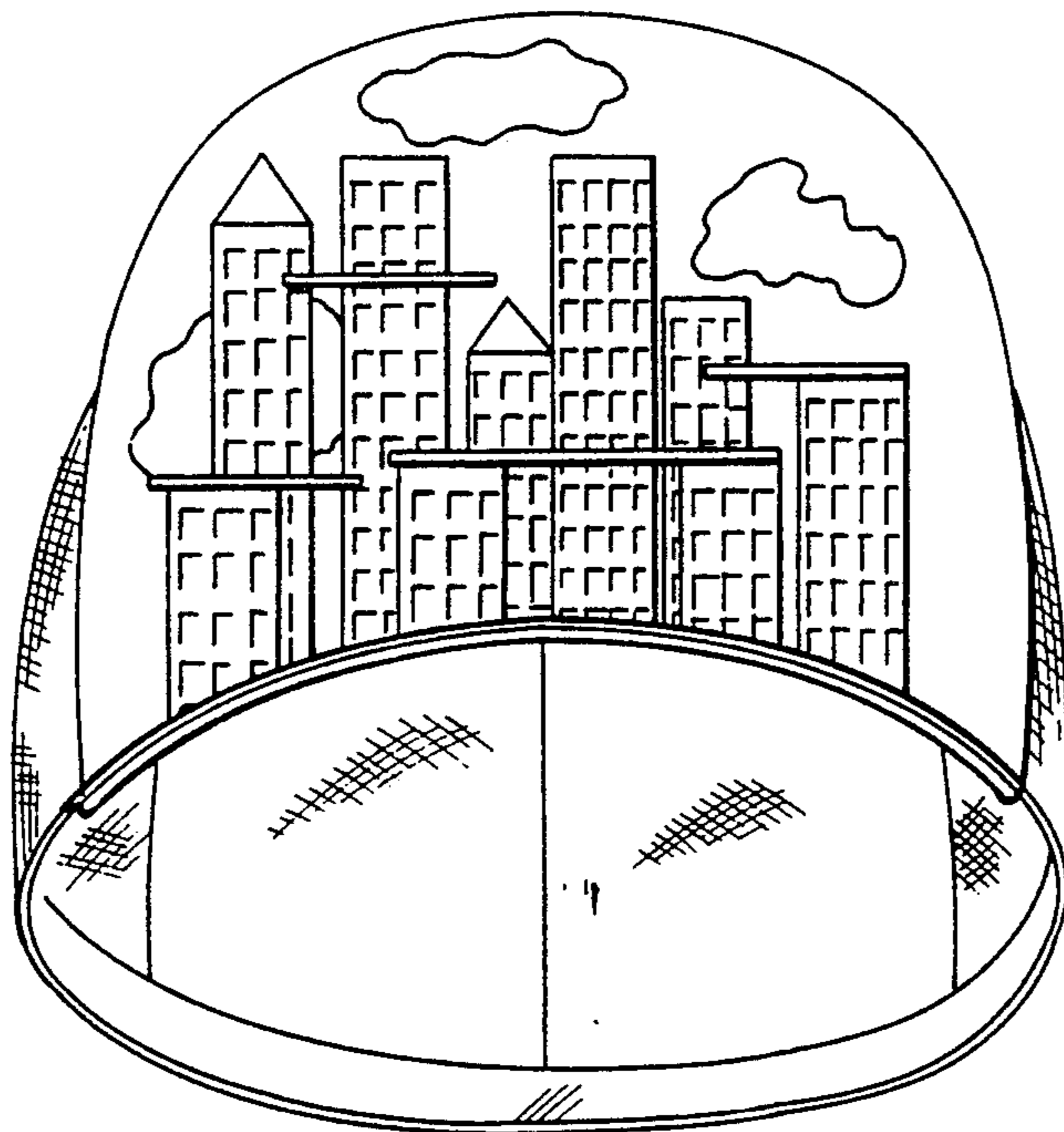


FIG. 4

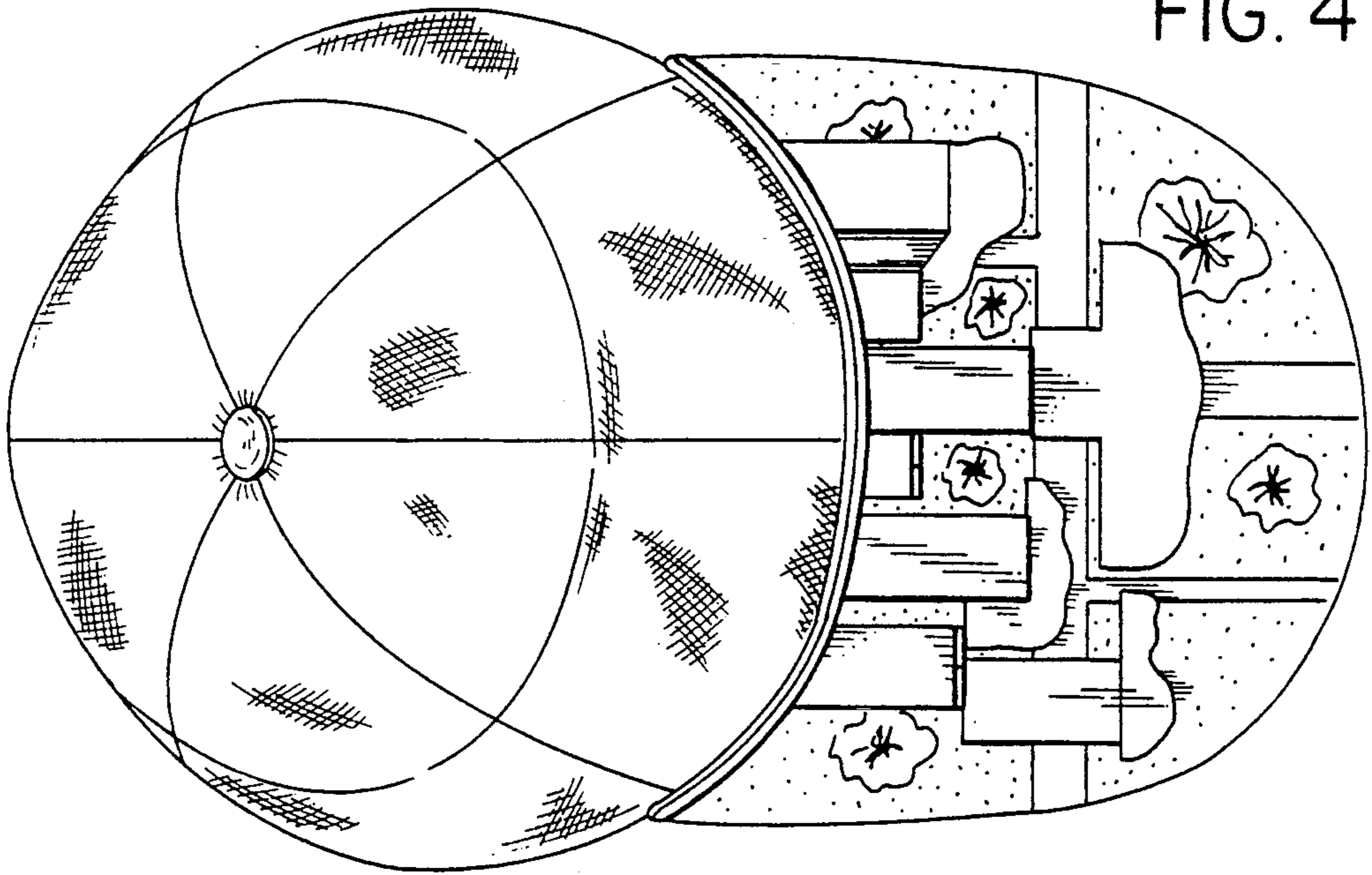


FIG. 5

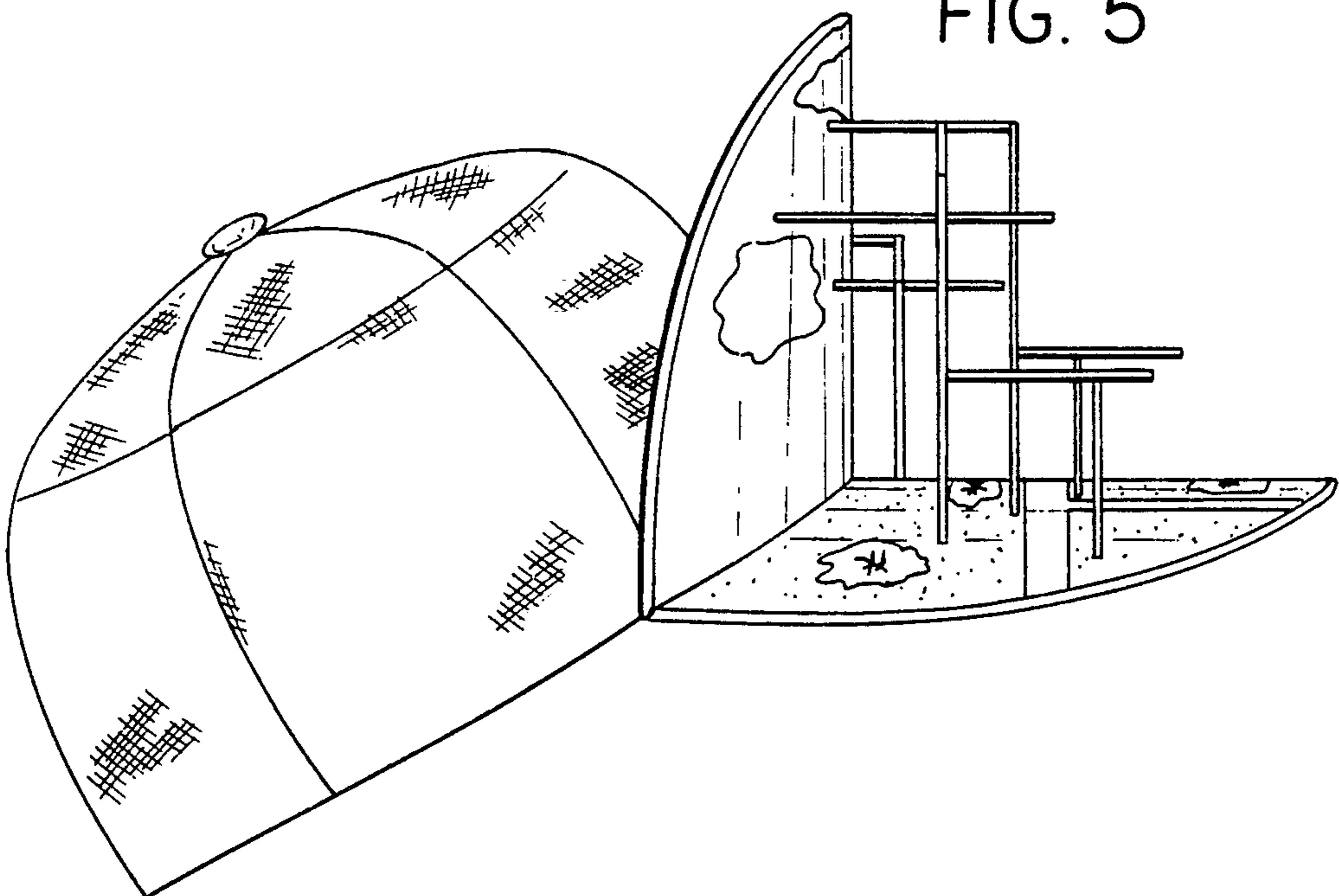


FIG. 6

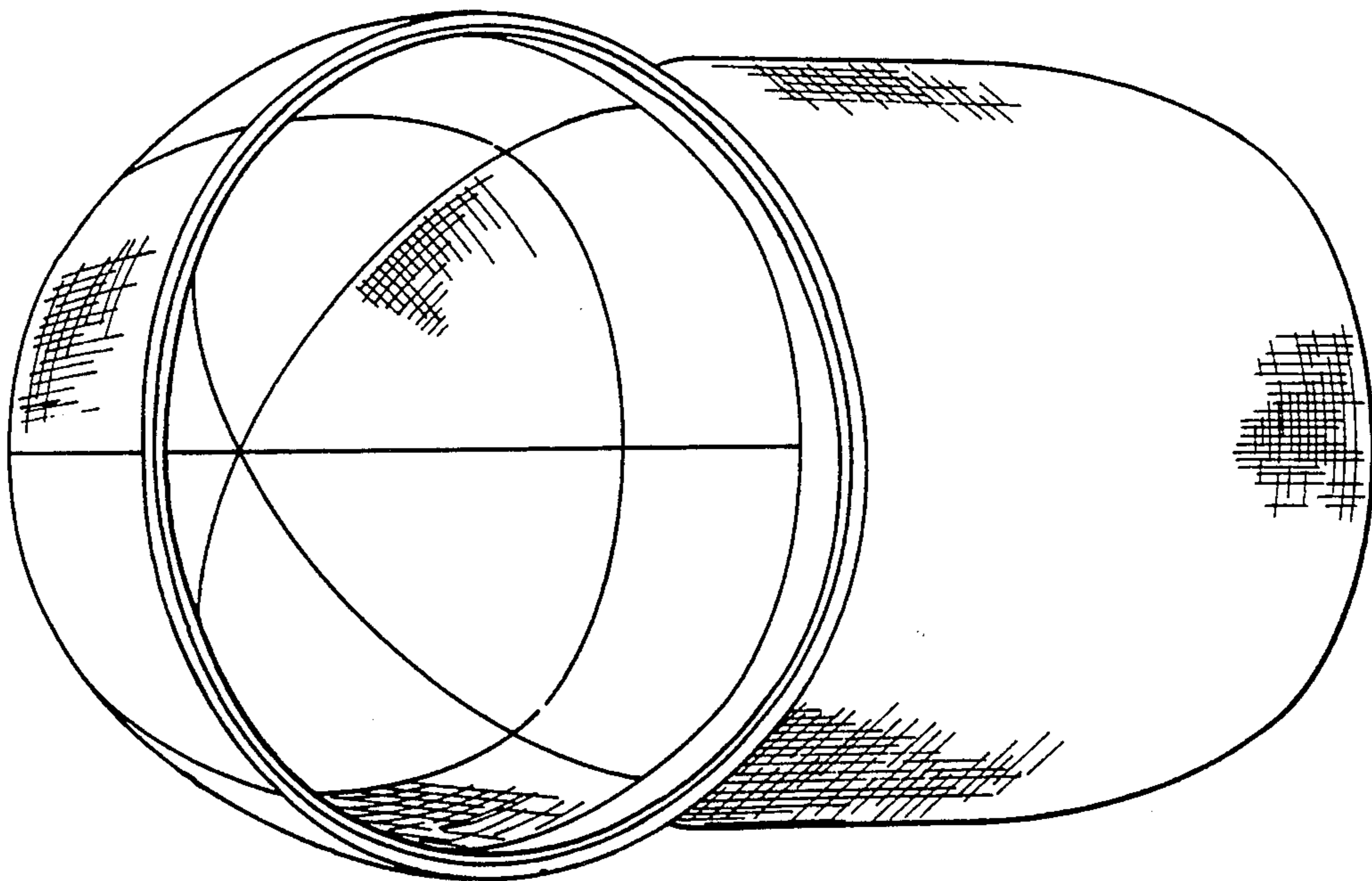
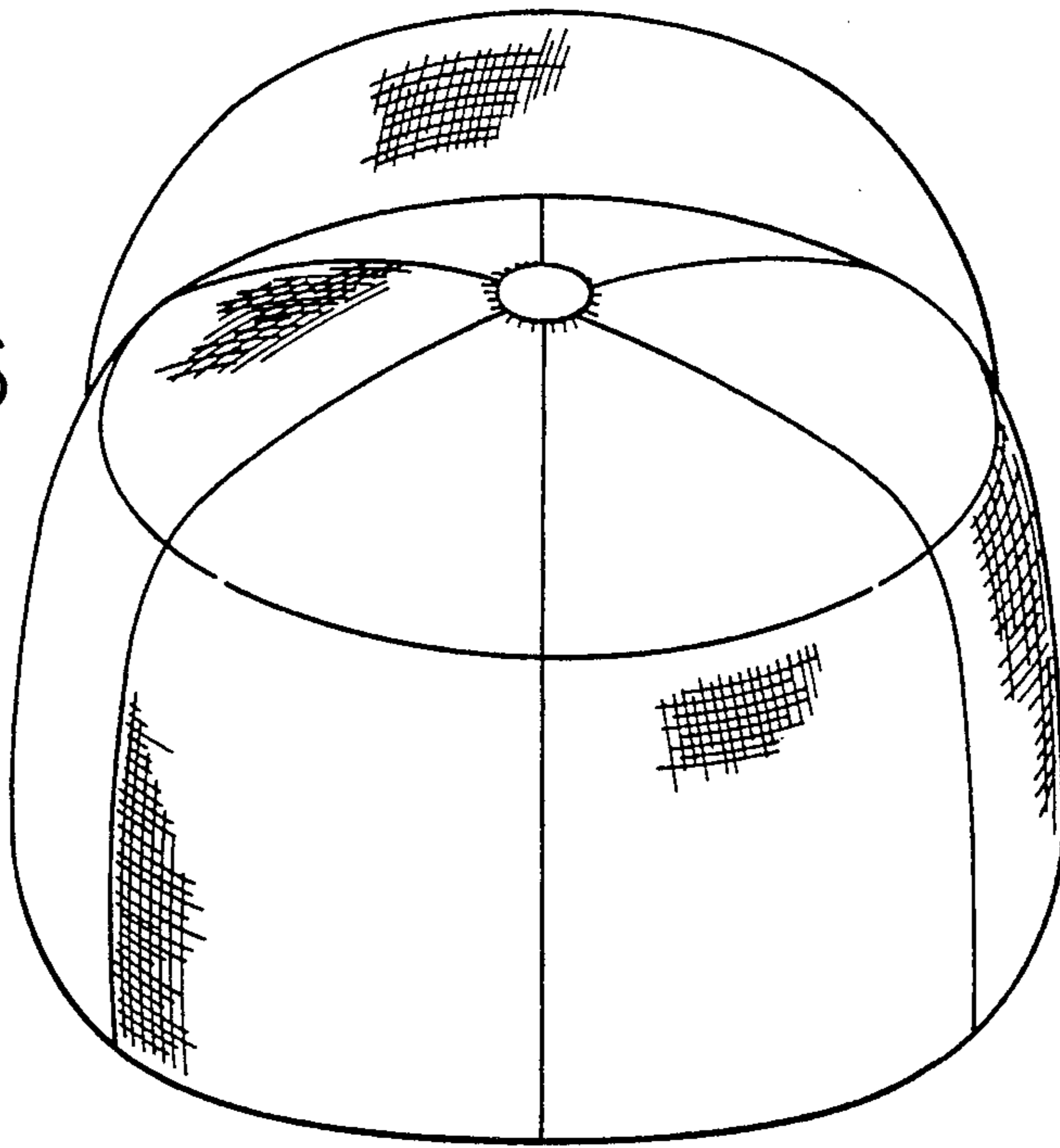


FIG. 7