

[54] SUSPENDED ADJUSTABLE LIGHTING FIXTURE

[75] Inventor: Renzo Piano, Paris, France

[73] Assignee: Lingotto S.r.l., Turin, Italy

[\*\*] Term: 14 Years

[21] Appl. No.: 244,356

[22] Filed: Sep. 15, 1988

[30] Foreign Application Priority Data

Mar. 16, 1988 [IT] Italy ..... 52978[U]

[52] U.S. Cl. .... D26/63

[58] Field of Search ..... D26/60-66,  
D26/24, 72, 81-92; 362/147, 269, 275, 287, 418,  
419, 427, 404, 432

[56] References Cited

U.S. PATENT DOCUMENTS

- D. 297,670 9/1988 Douenias ..... D26/63
- D. 298,467 11/1988 Stover ..... D26/63
- 3,604,916 9/1971 Adra et al. .... 362/427 X
- 3,696,240 10/1972 Potter ..... 362/418

FOREIGN PATENT DOCUMENTS

1059601 11/1953 France ..... 362/404

OTHER PUBLICATIONS

Stilnovo catalog, 4-1984, p. 9, "Pada" Suspended Lamp.

Primary Examiner—Susan J. Lucas  
Attorney, Agent, or Firm—Sughrue, Mion, Zinn,  
Macpeak & Seas

[57] CLAIM

The ornamental design for a suspended adjustable lighting fixture, as shown.

DESCRIPTION

FIG. 1 is a front elevational view of a suspended adjustable lighting fixture showing my new design; FIG. 2 is a right side elevational view thereof; FIG. 3 is a top plan view thereof; FIG. 4 is a bottom plan view thereof; FIG. 5 is a rear elevational view thereof; and FIG. 6 is a top, front and left side perspective view thereof.

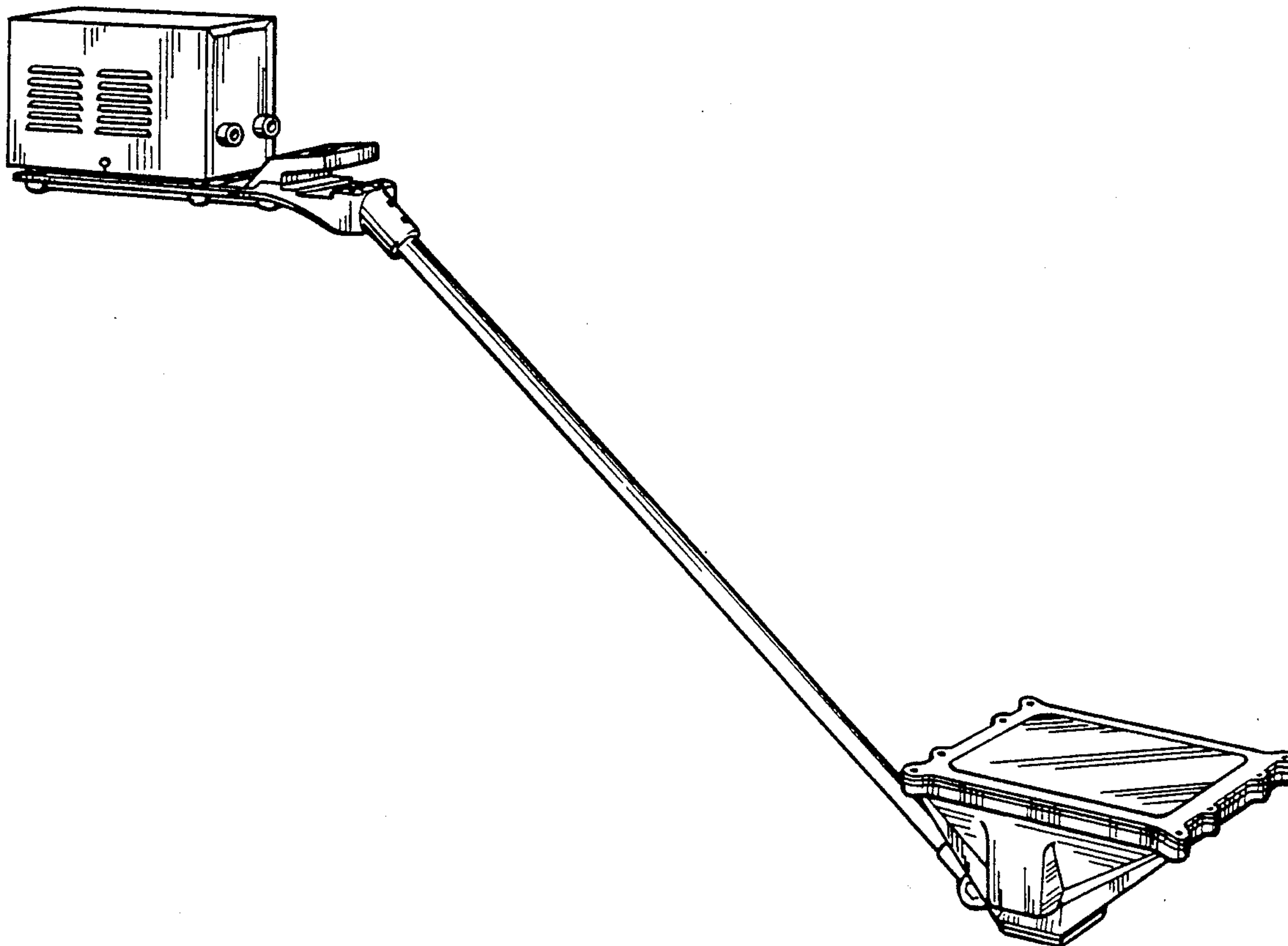


FIG. 1

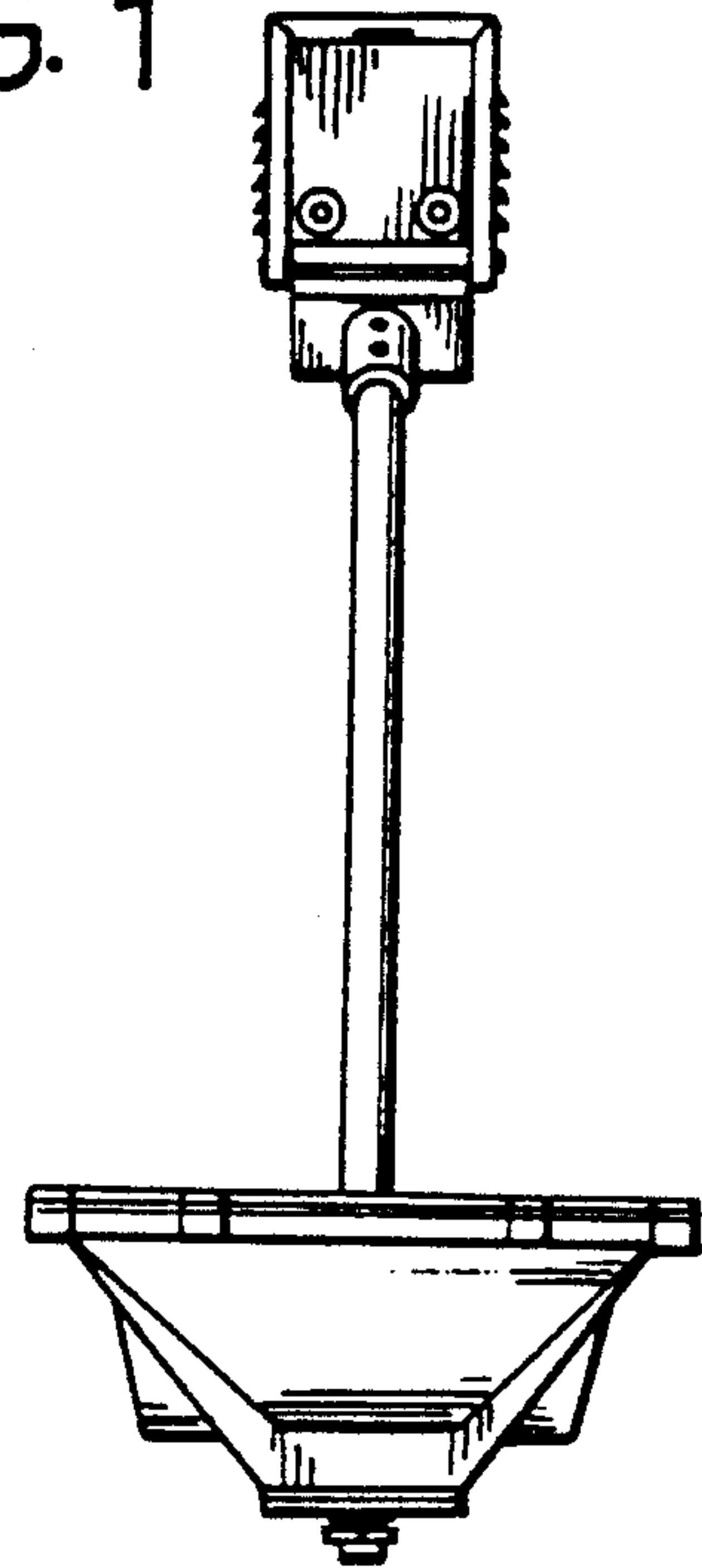


FIG. 2

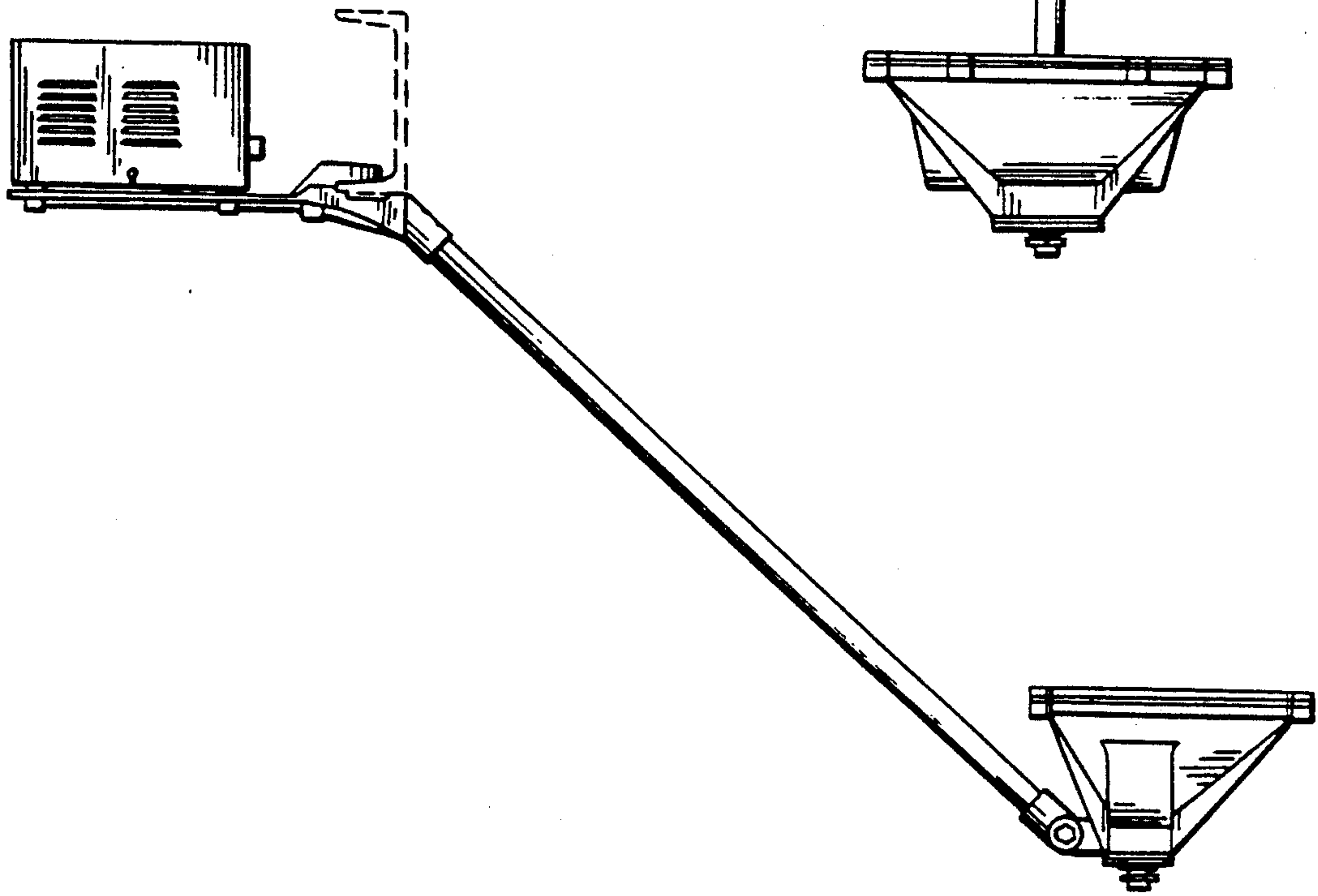


FIG. 3

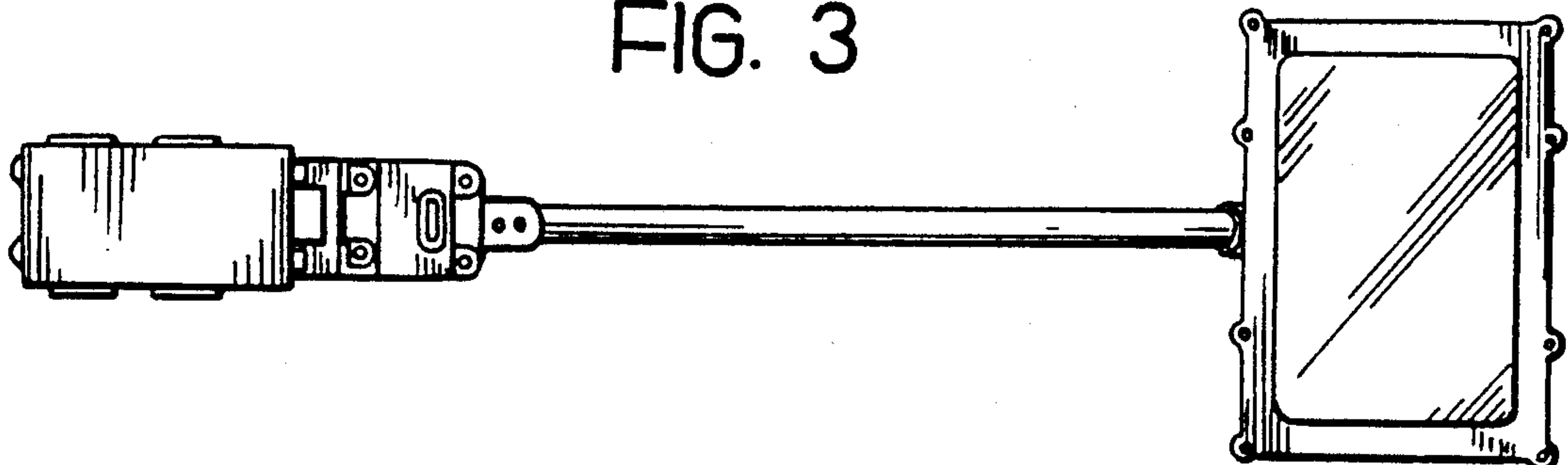


FIG. 4

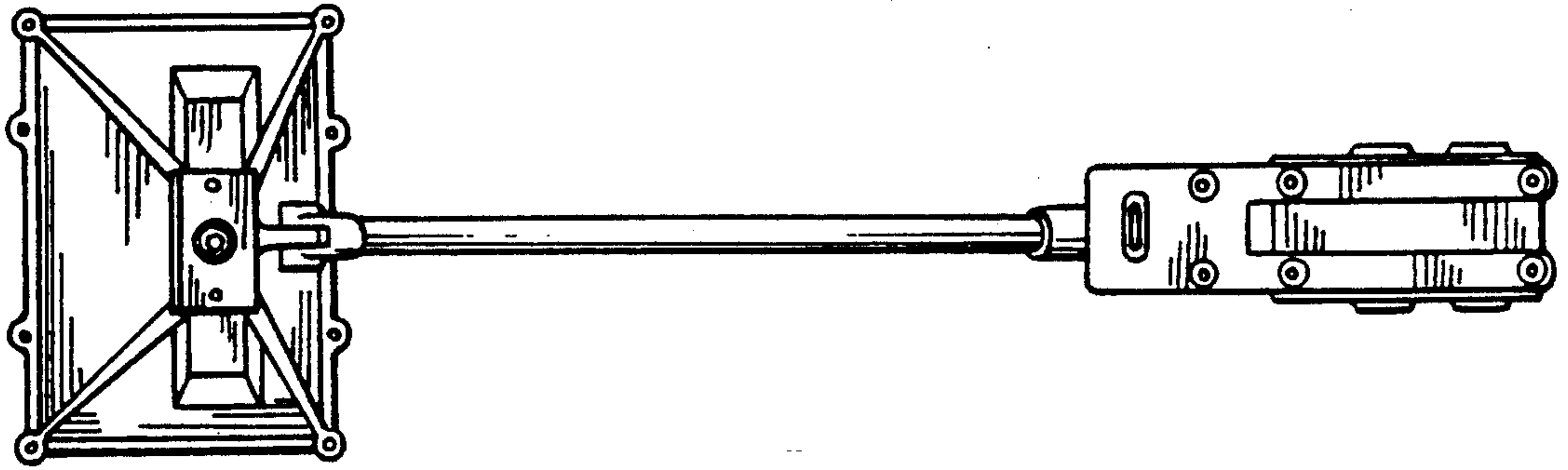
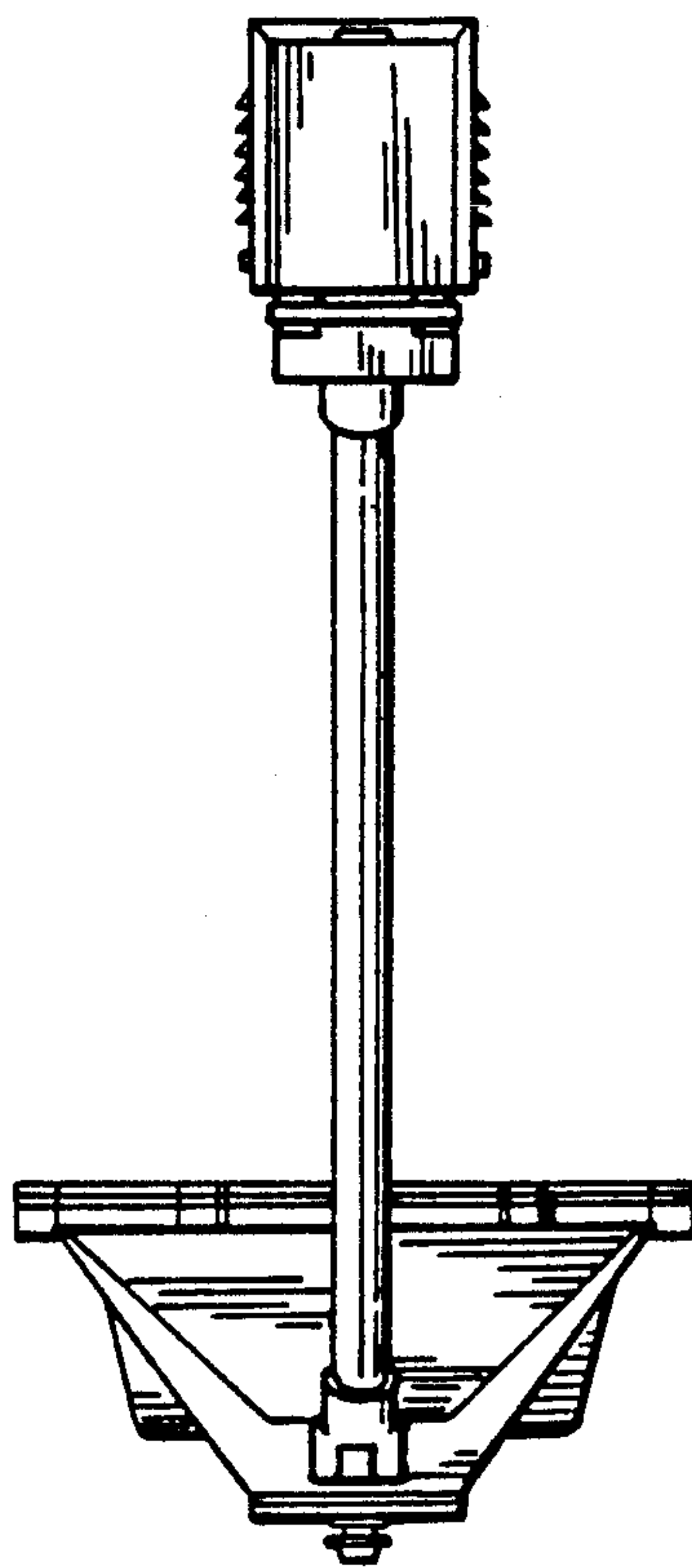


FIG. 5



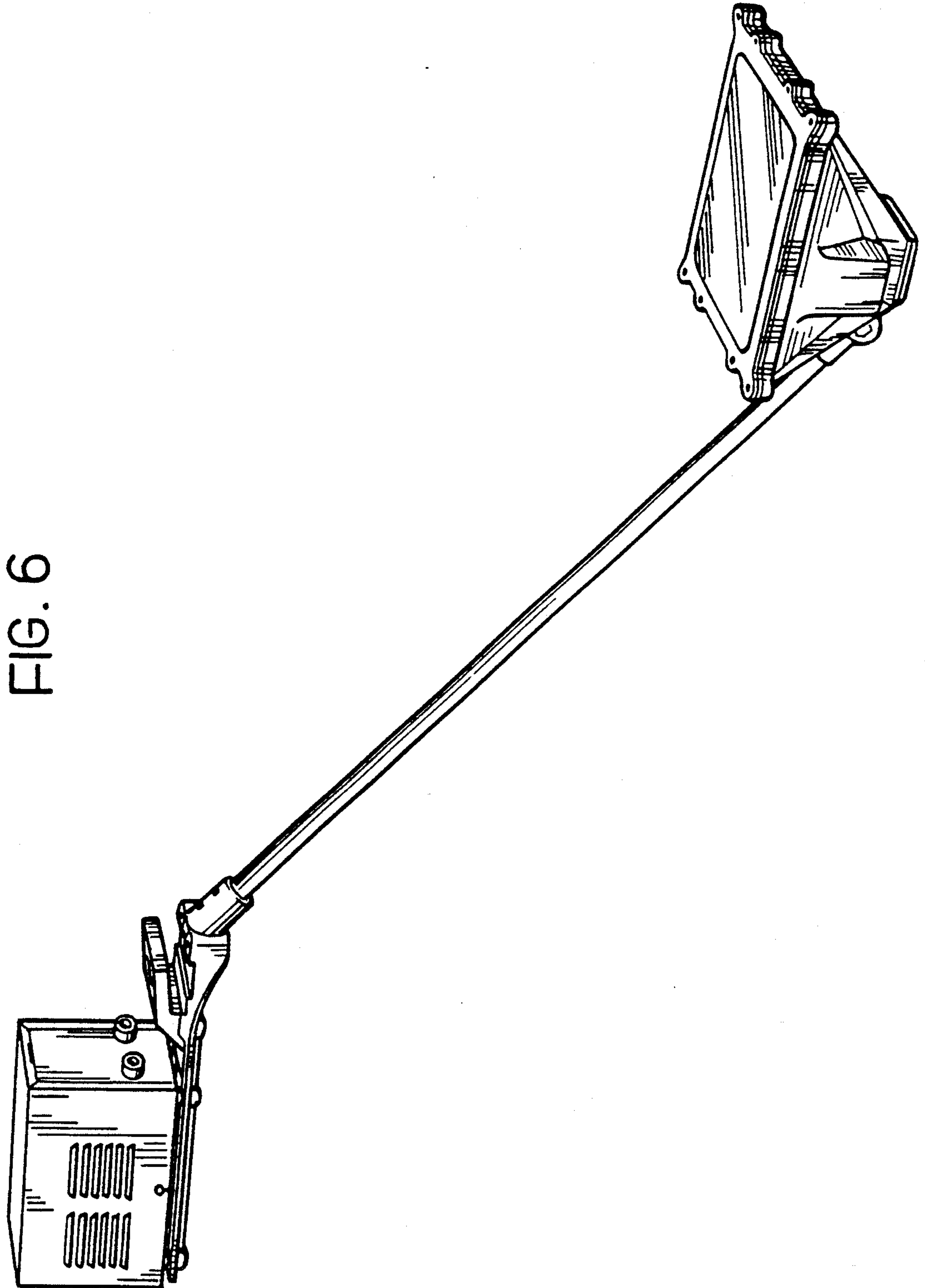


FIG. 6