

[54] COMBINED WATER RESISTANT FLASHLIGHT, RADIO, SIREN AND EMERGENCY SIGNAL LIGHT

[75] Inventor: John S. Yuen, Kowloon, Hong Kong

[73] Assignee: John Manufacturing Limited, Hong Kong

[\*\*] Term: 14 Years

[21] Appl. No.: 335,522

[22] Filed: Apr. 10, 1989

[30] Foreign Application Priority Data

Dec. 2, 1988 [GB] United Kingdom ..... 1055402

[52] U.S. Cl. .... D26/38

[58] Field of Search ..... D26/37-50; 362/157, 158, 183-208; 340/321, 326; D14/168; 455/344, 347, 350, 351

[56] References Cited

U.S. PATENT DOCUMENTS

D. 280,442	9/1985	Ohashi	.....	D26/38
D. 296,243	6/1988	Ohashi	.....	D26/38
D. 303,294	9/1989	Yurkovic	.....	D26/38
D. 308,256	5/1990	Ohashi	.....	D26/48

FOREIGN PATENT DOCUMENTS

1048141 7/1988 United Kingdom .  
1052291 7/1988 United Kingdom .

OTHER PUBLICATIONS

Hong Kong Enterprise, 3-87, p. 281, Combined Flashlight, Radio, Blinking Light & Siren.

Primary Examiner—Susan J. Lucas  
Attorney, Agent, or Firm—Fay, Sharpe, Beall, Fagan, Minnich & McKee

[57] CLAIM

The ornamental design for a combined water resistant flashlight, radio, siren, and emergency signal light, as shown and described.

DESCRIPTION

FIG. 1 is a right side elevational view of a water resistant flashlight with AM/FM radio signal light siren and emergency flashlight showing my new design; FIG. 2 is a front elevational view thereof; FIG. 3 is a rear elevational view thereof; FIG. 4 is a bottom plan view thereof; FIG. 5 is a left side elevational view thereof; FIG. 6 is a top plan view thereof.

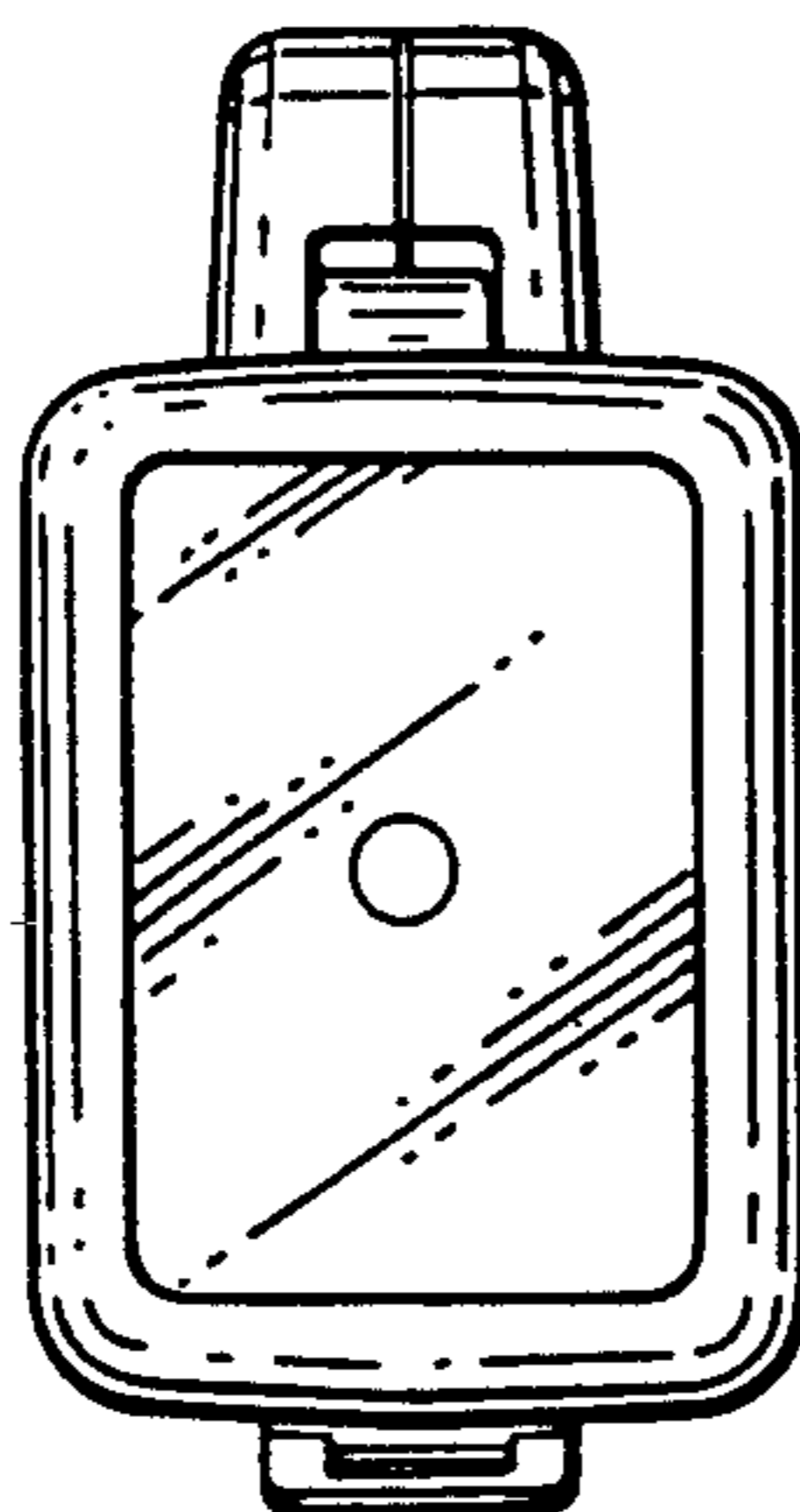
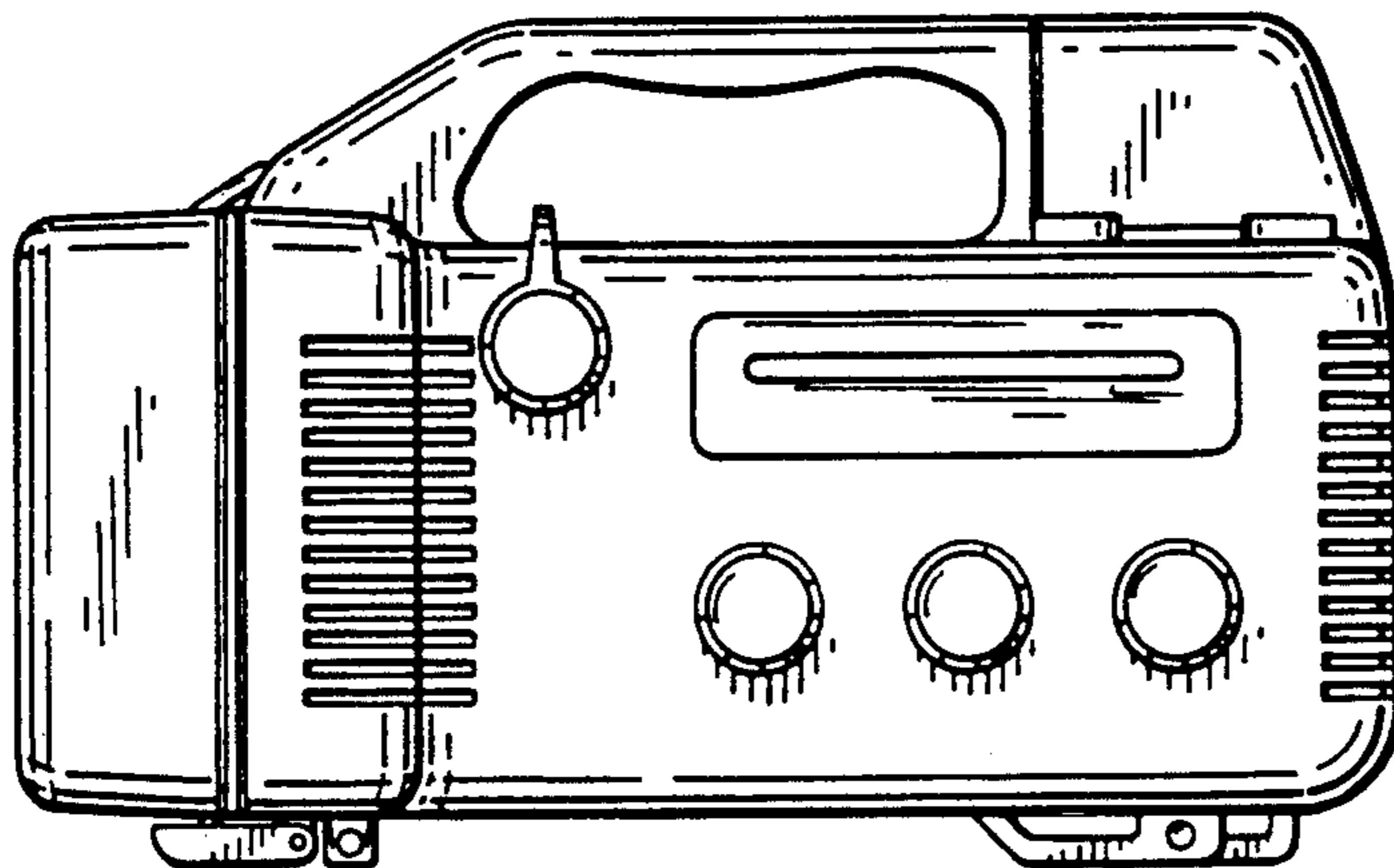


FIG. 1.

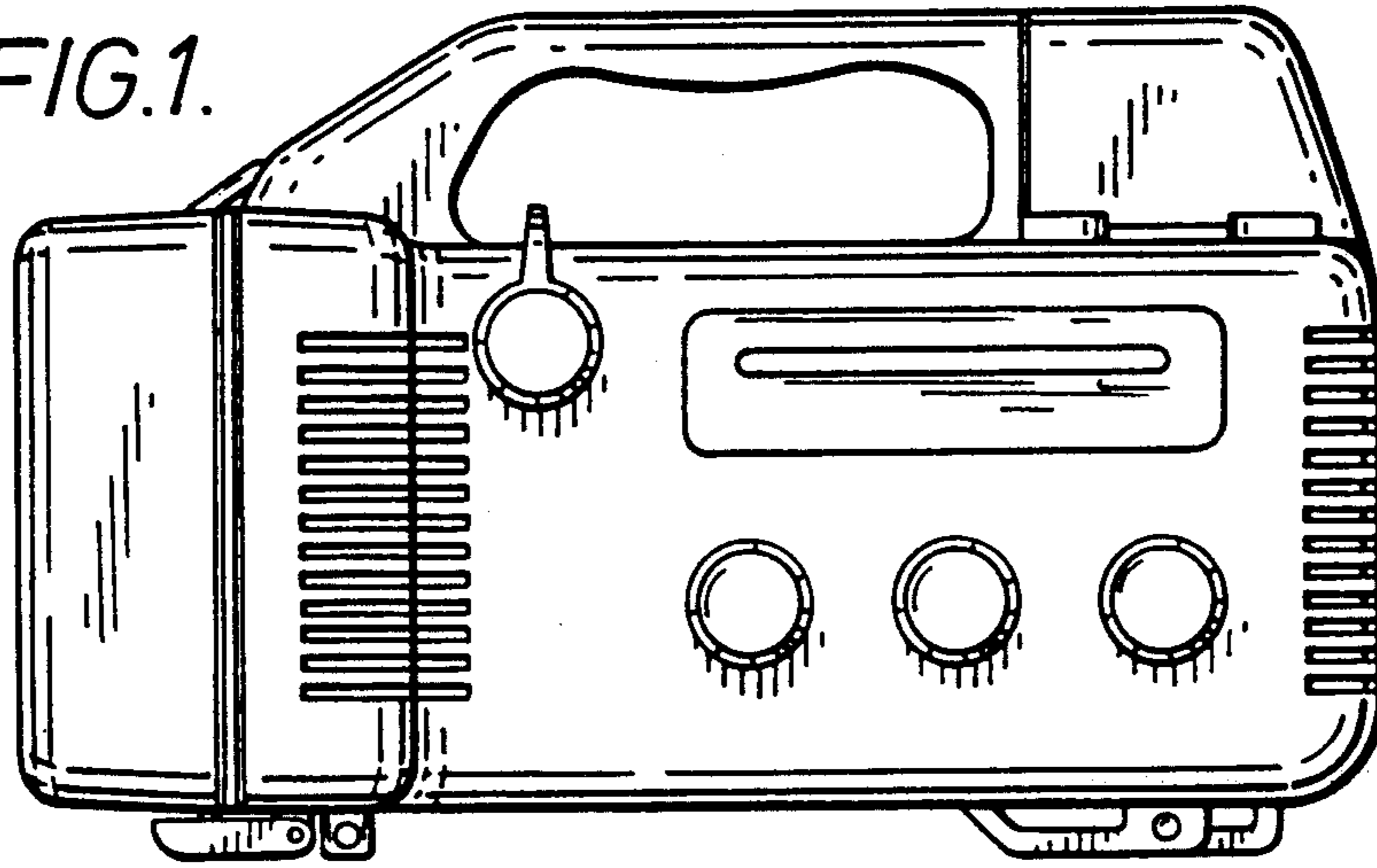


FIG. 2.

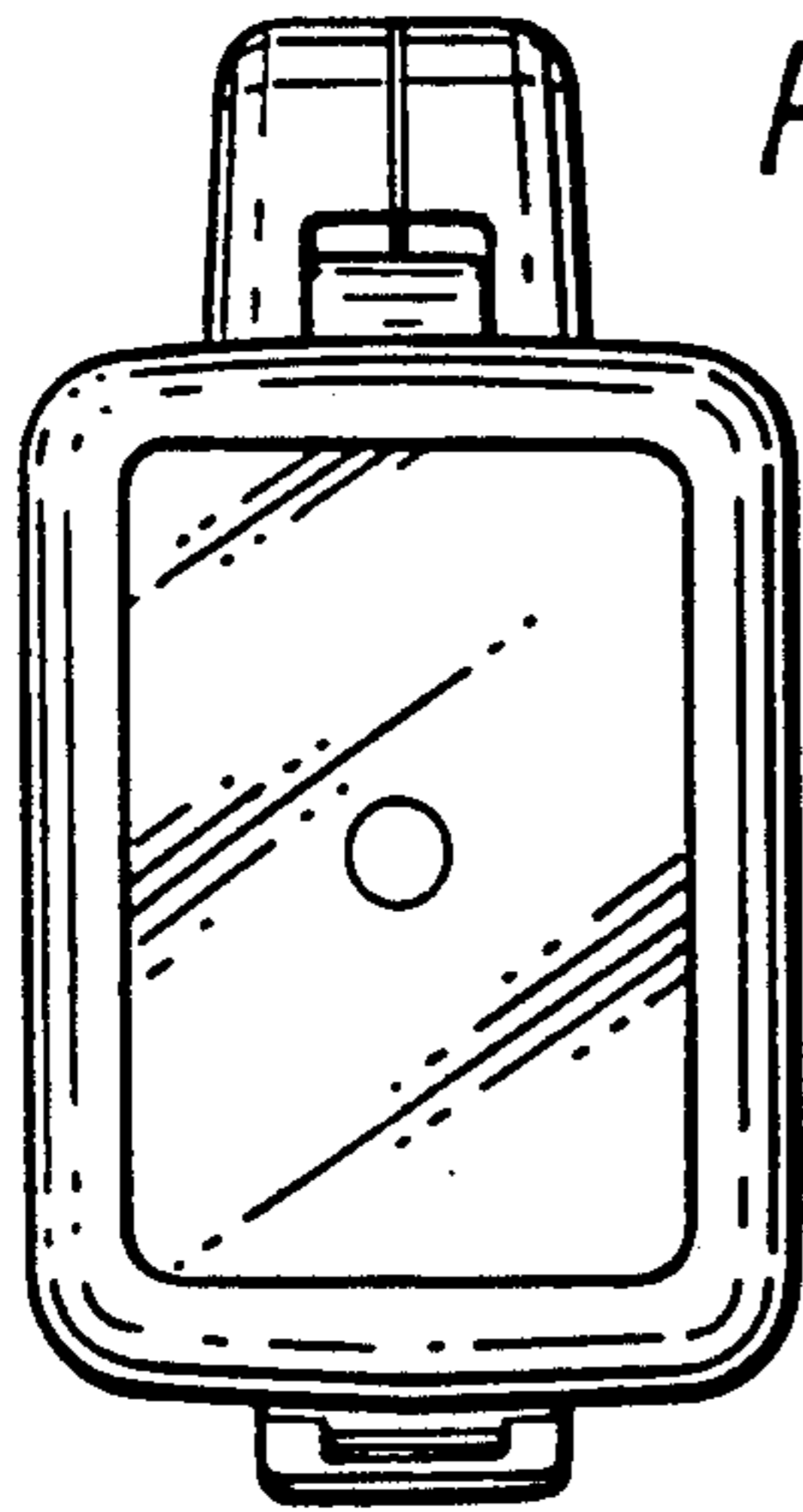


FIG. 3.

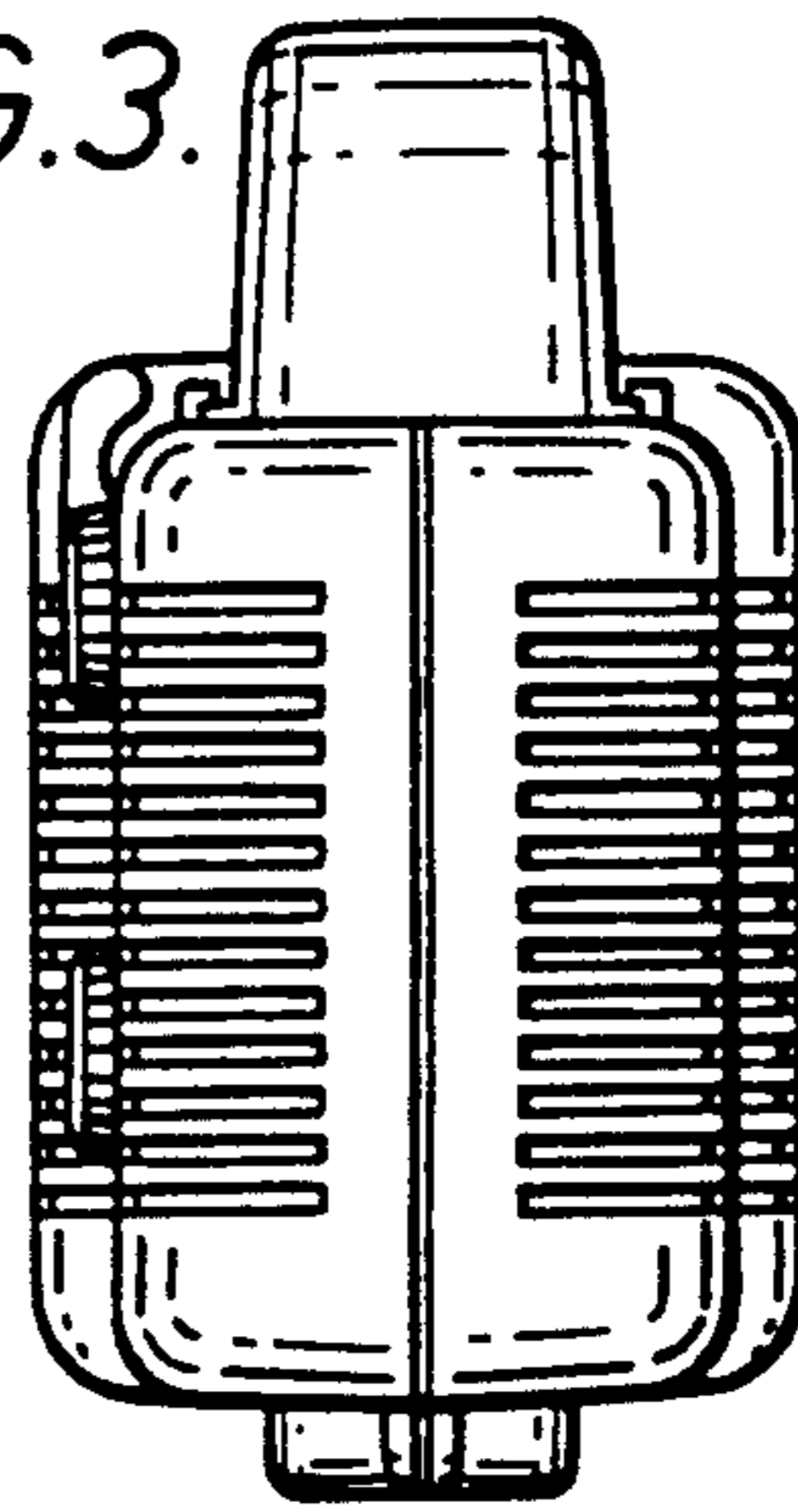
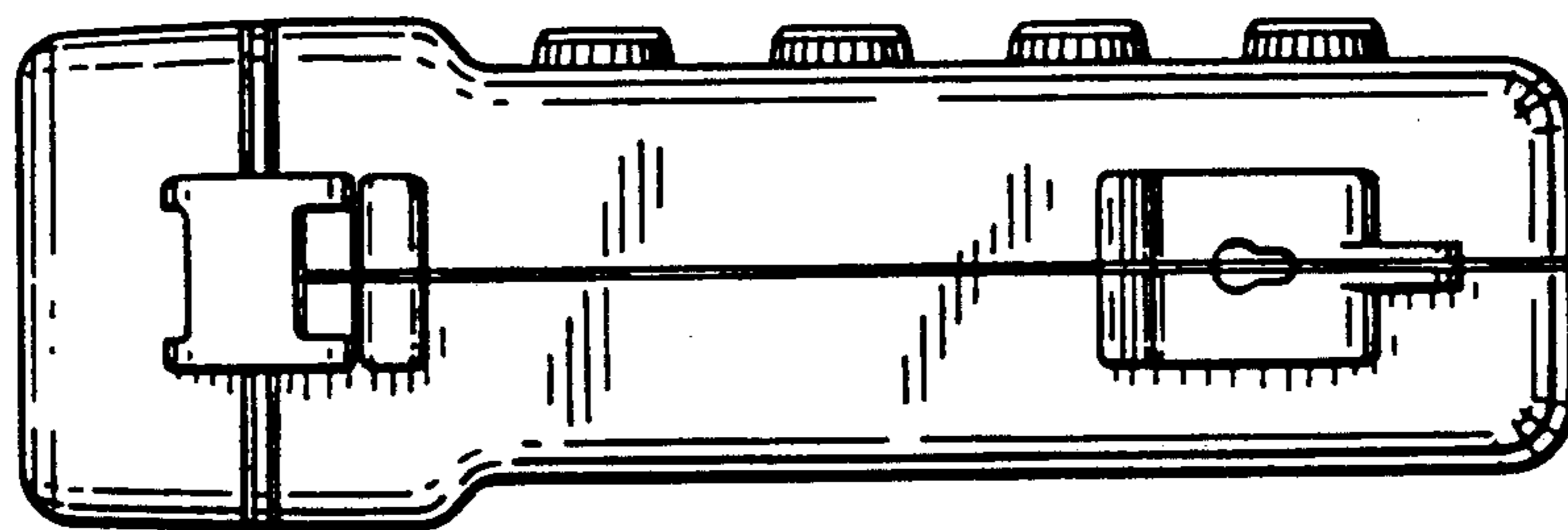


FIG. 4.



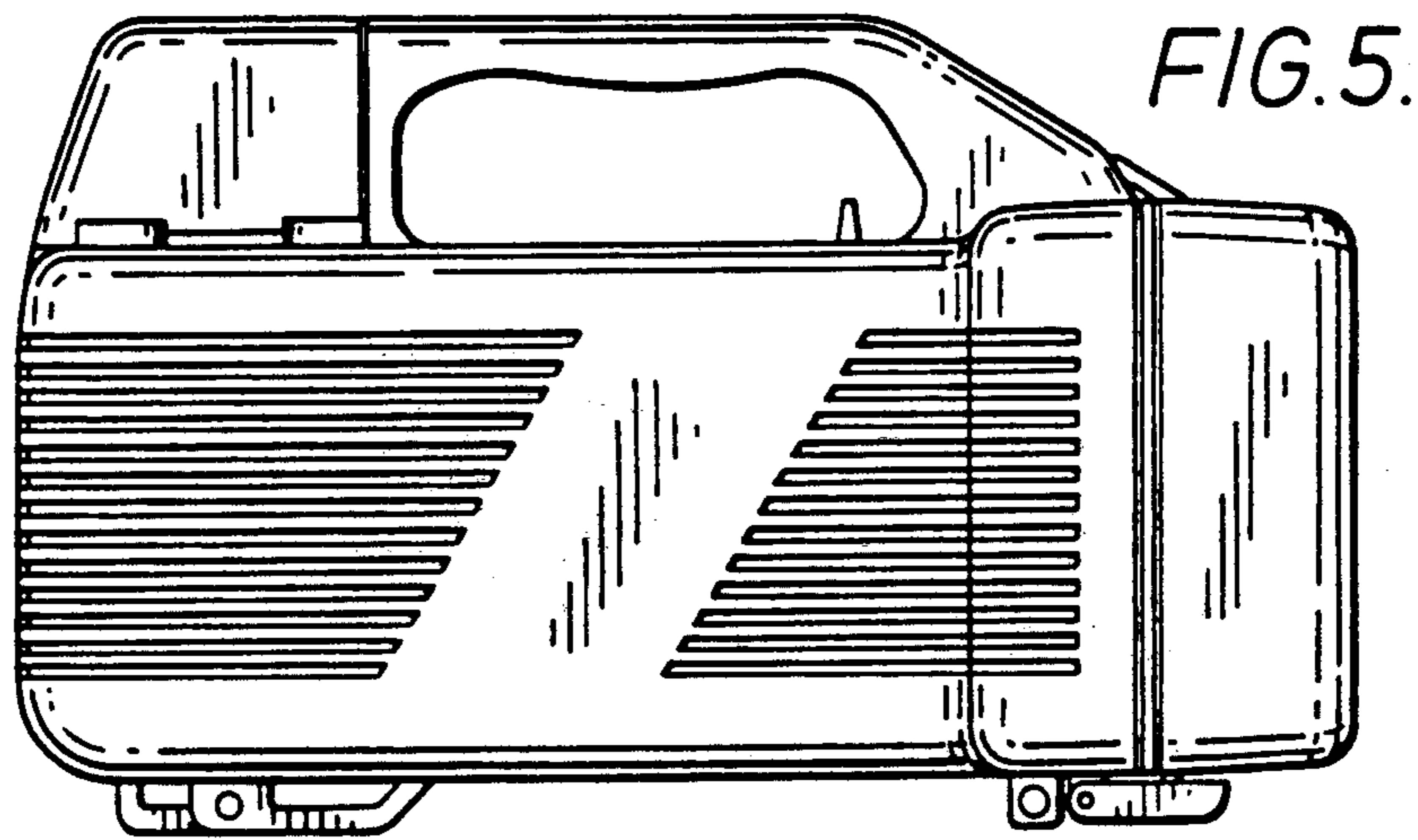


FIG. 6.

