

[54] CANDLE LANTERN

[75] Inventor: Takeo Shiraishi, Yokohama, Japan

[73] Assignee: Lec Kabushiki Kaisha, Tokyo, Japan

[**] Term: 14 Years

[21] Appl. No.: 417,666

[22] Filed: Oct. 5, 1989

[30] Foreign Application Priority Data

Jun. 21, 1989 [JP]	Japan	1-22928
[52] U.S. Cl.		D26/11
[58] Field of Search		D26/9-23;
		362/161, 162, 163, 180; 431/288-297, 308, 310, 320, 325

[56] References Cited

U.S. PATENT DOCUMENTS

D. 288,722	3/1987	Harada	D26/11
603,427	5/1898	Gennert	431/290
4,186,430	1/1980	Britton	362/162
4,520,431	5/1985	Fanelli et al.	362/162 X
4,566,055	1/1986	Klees et al.	431/290 X

FOREIGN PATENT DOCUMENTS

63-20004 6/1988 Japan .

Primary Examiner—Susan J. Lucas
Attorney, Agent, or Firm—Fleit, Jacobson, Cohn, Price, Holman & Stern

[57] CLAIM

The ornamental design for a candle lantern, as shown and described.

DESCRIPTION

FIG. 1 is a front elevational view of a candle lantern showing my new design in an open, operational condition;

FIG. 2 is a right side elevational view thereof;

FIG. 3 is a rear elevational view thereof;

FIG. 4 is a left side elevational view thereof;

FIG. 5 is a top plan view thereof;

FIG. 6 is a bottom plan view thereof;

FIG. 7 is a cross-sectional view thereof as taken along line 7—7 of FIG. 1;

FIG. 8 is a cross-sectional view thereof as taken along line 8—8 of FIG. 1;

FIG. 9 is a top, front perspective view thereof, the candle flame being shown in broken lines for illustrative purposes only;

FIG. 10 is a top, front perspective view of the candle lamp in a stored, inoperative position.

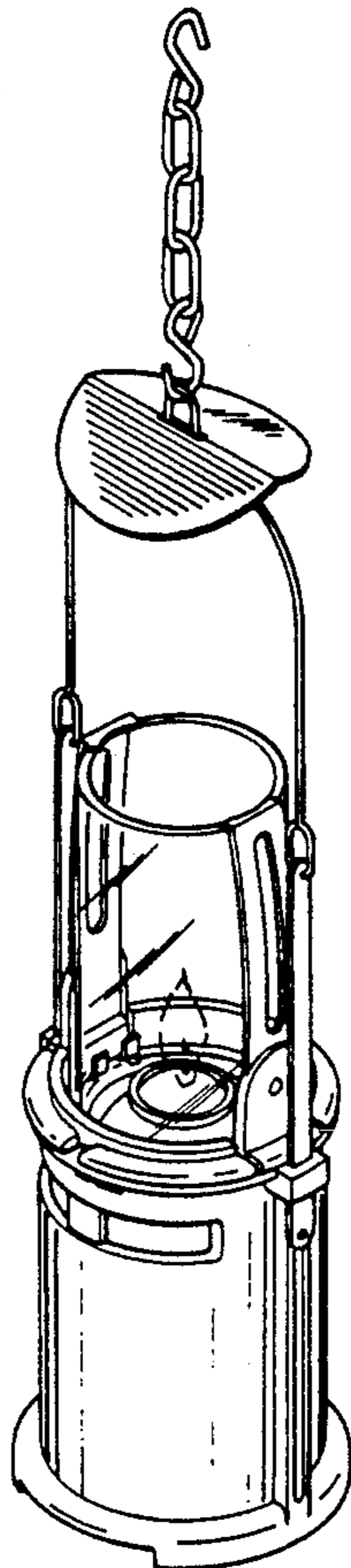


FIG. 1

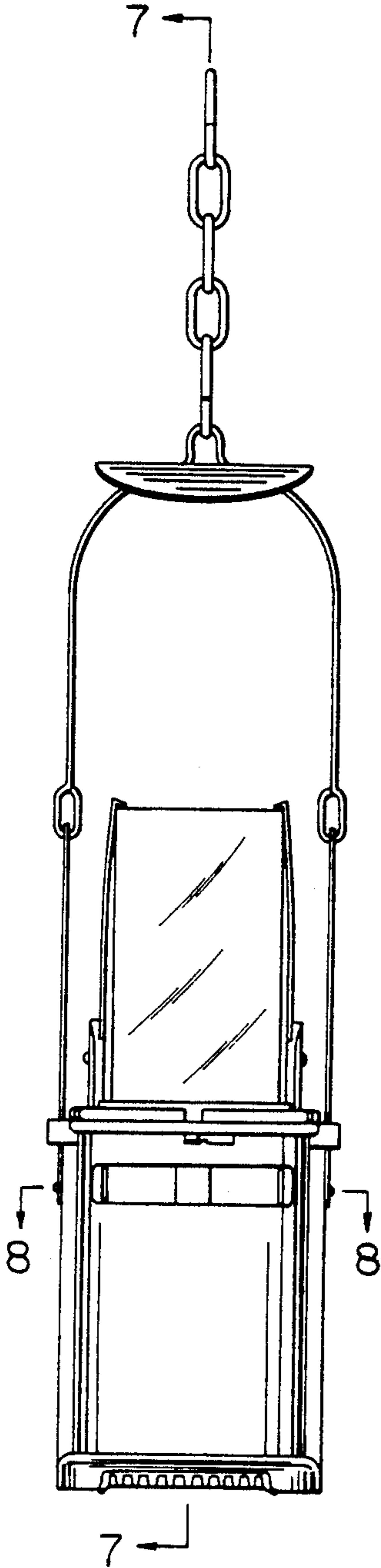


FIG. 2

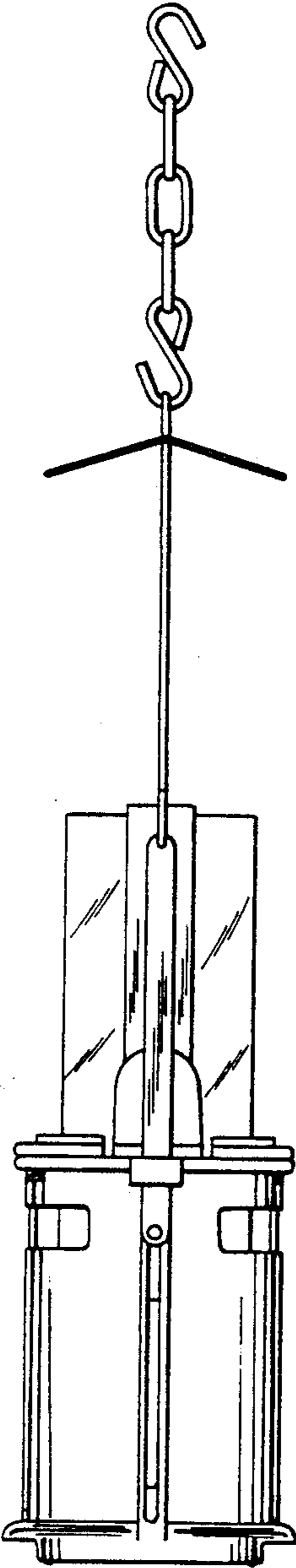


FIG. 3

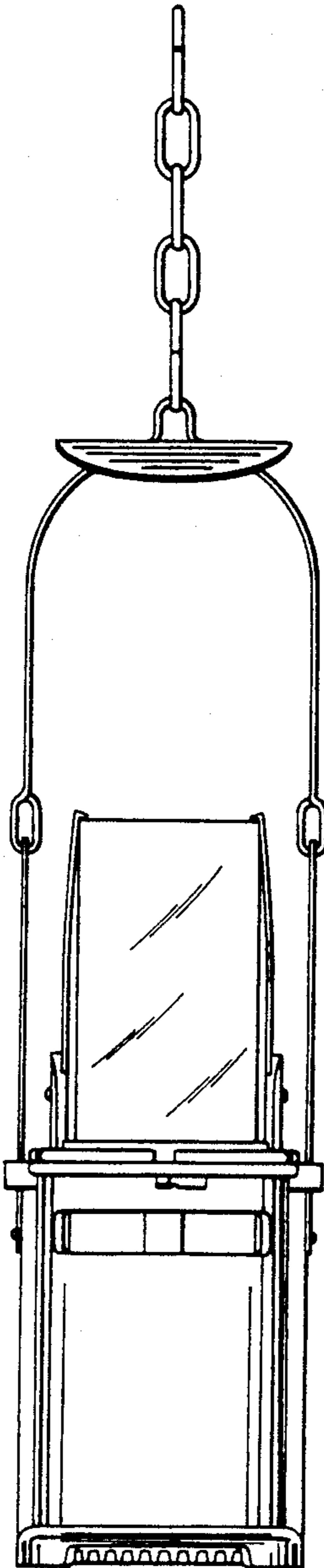


FIG. 4

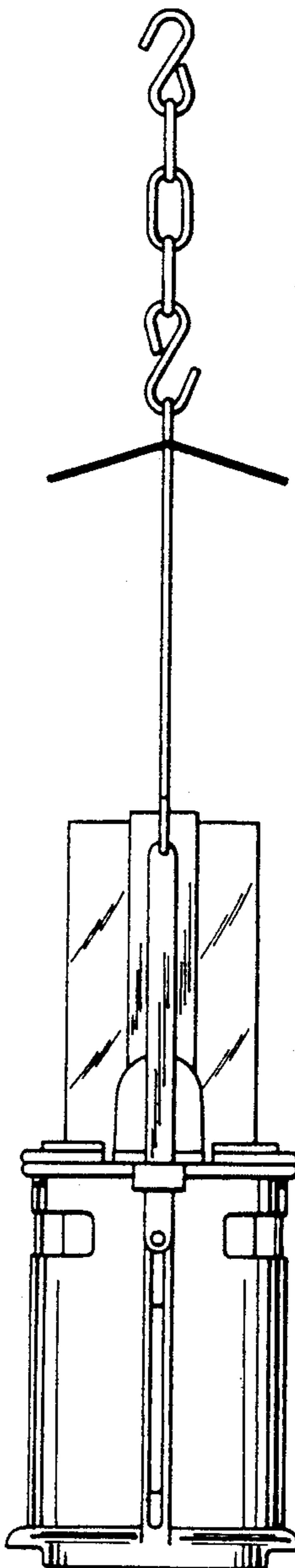


FIG. 5

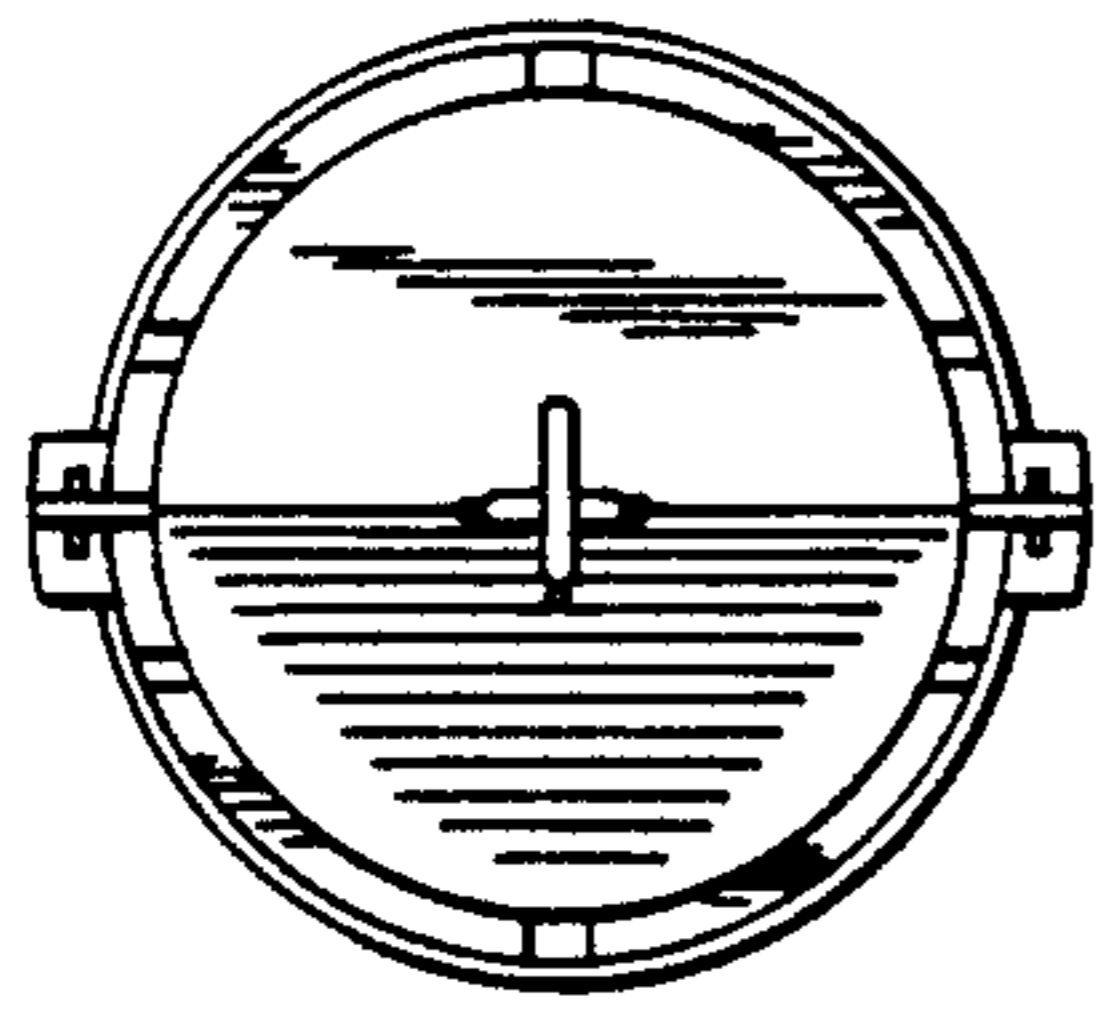


FIG. 6

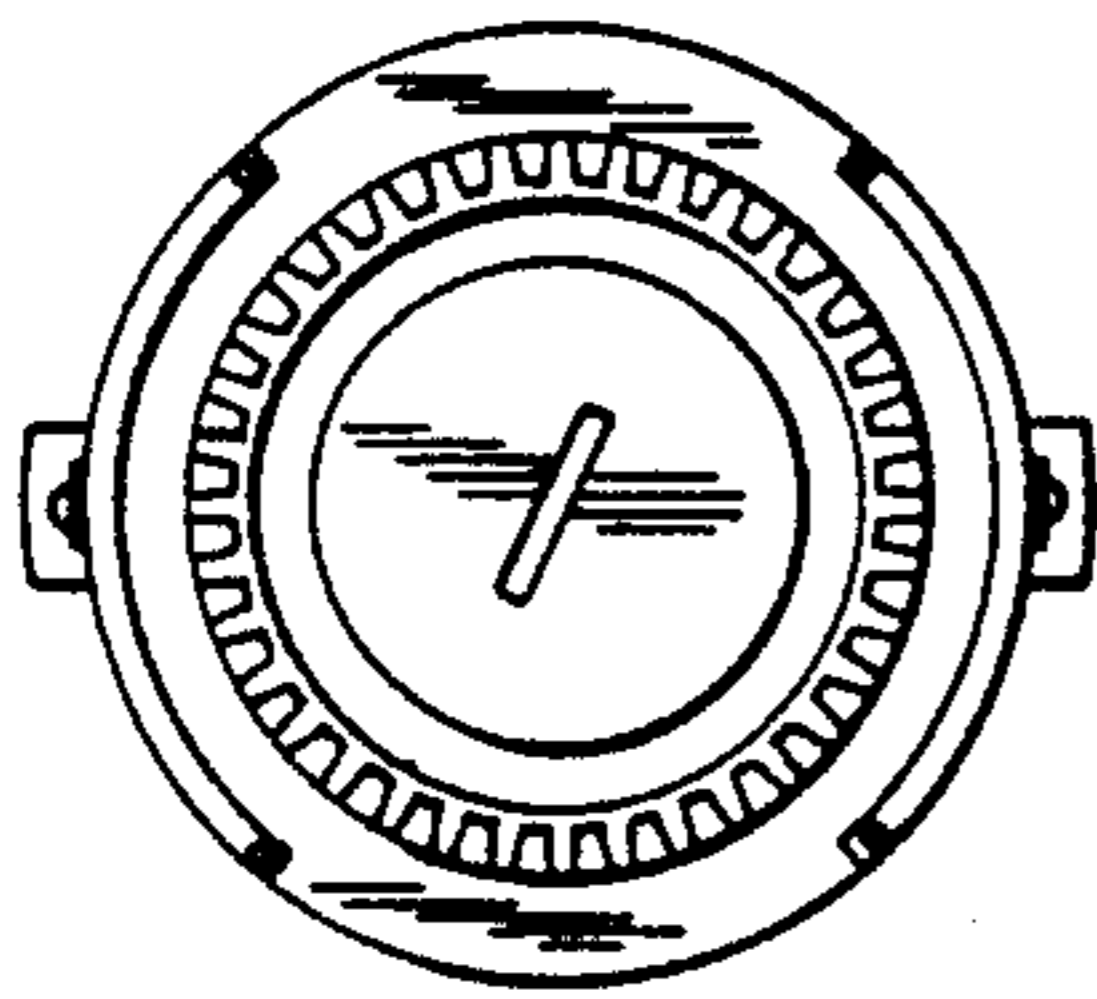


FIG. 8

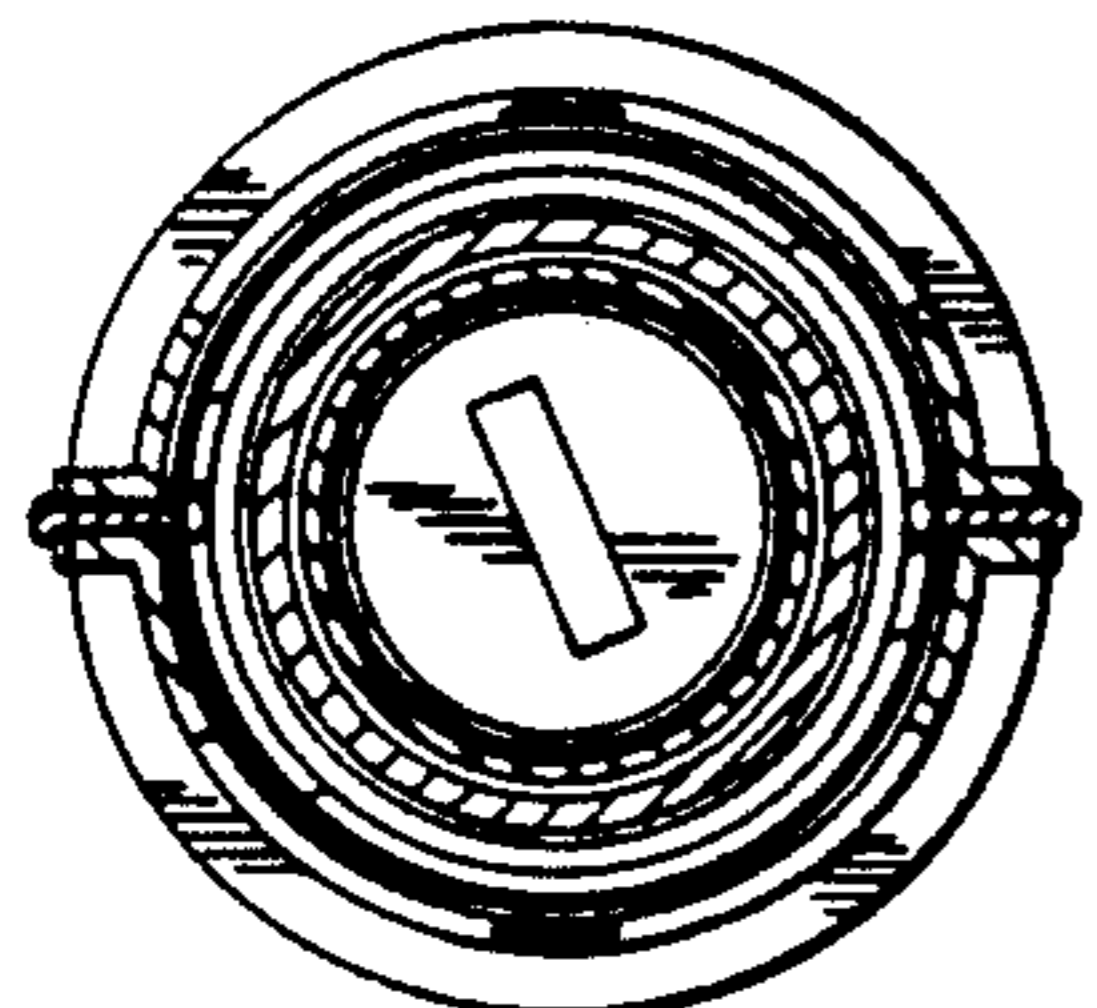


FIG. 10

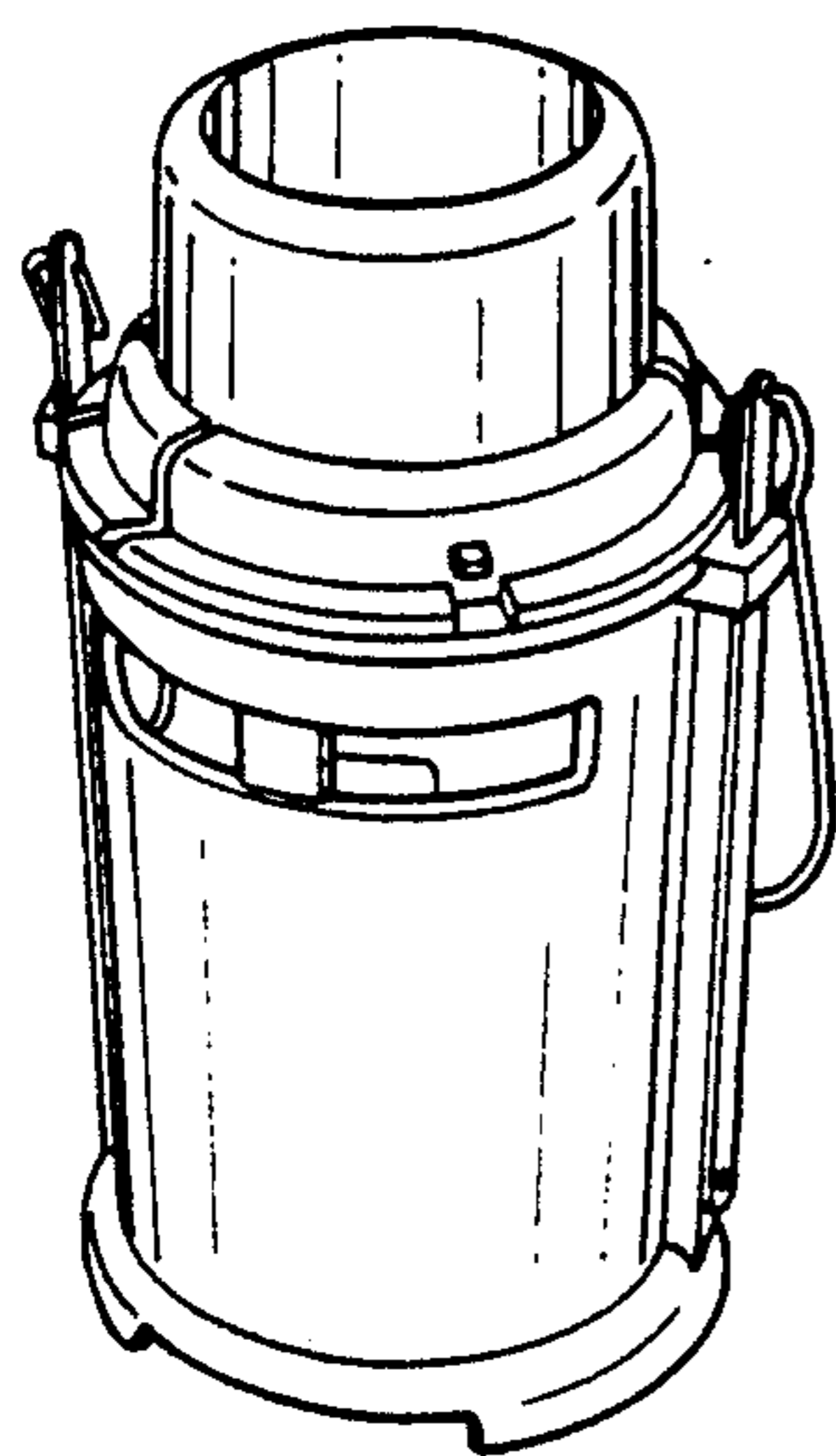


FIG. 7

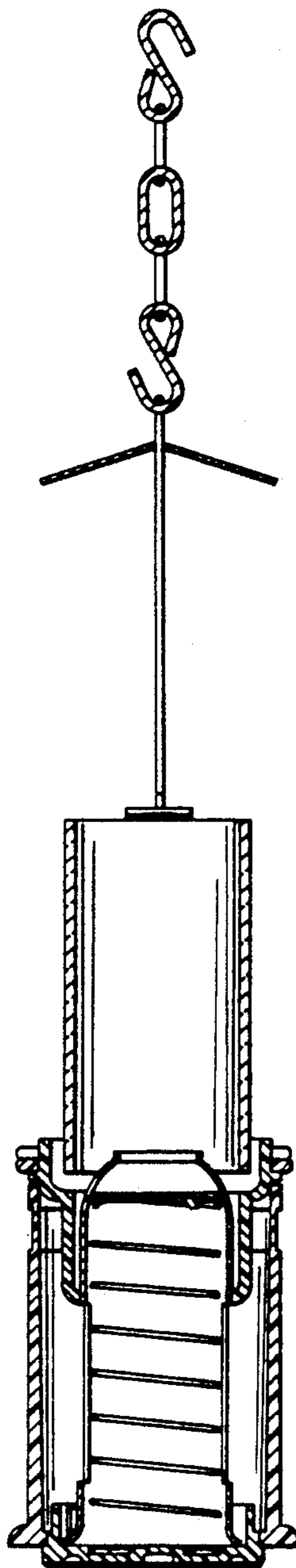


FIG. 9

