

[54] LAMP

[75] Inventor: Alfred Bowman, Harpenden, United Kingdom

[73] Assignee: KMS Electrical Ltd, Harrow, United Kingdom

[**] Term: 14 Years

[21] Appl. No.: 403,716

[22] Filed: Sep. 6, 1989

[30] Foreign Application Priority Data

Mar. 8, 1989 [GB] United Kingdom 1 057 708

[52] U.S. Cl. D26/2

[58] Field of Search D26/2, 3, 26; 313/315, 313/318, 113, 493; 315/56, 57, 58; 362/310, 311, 294, 363

[56] References Cited

U.S. PATENT DOCUMENTS

4,169,238 9/1979 English et al. 313/113 X

FOREIGN PATENT DOCUMENTS

0260047 3/1988 European Pat. Off. .
2604308 3/1988 France .
1035394 7/1986 United Kingdom .
1048840 2/1988 United Kingdom .
2203527 10/1988 United Kingdom .

OTHER PUBLICATIONS

LSL Leecraft "High Lite" AD, 5/1988 Halogen Par Lamp.

Brochure entitled "East-Spot" by Lighting Enterprises Ltd. Christchurch, England.

Primary Examiner—Susan J. Lucas

Attorney, Agent, or Firm—Florence U. Reynolds

[57] CLAIM

The ornamental design for a lamp, as shown and described.

DESCRIPTION

FIG. 1 is a side elevational view of a lamp showing my new design;

FIG. 2 is a rear elevational view thereof;

FIG. 3 is a front perspective view thereof on a reduced scale;

FIG. 4 is an opposite side elevational view thereof;

FIG. 5 is a front elevational view thereof;

FIG. 6 is a front perspective view thereof on a reduced scale with the front cover removed for purposes of disclosure;

FIG. 7 is a front elevational view thereof with the front cover removed;

FIG. 8 is a side elevational view thereof with the front cover removed.

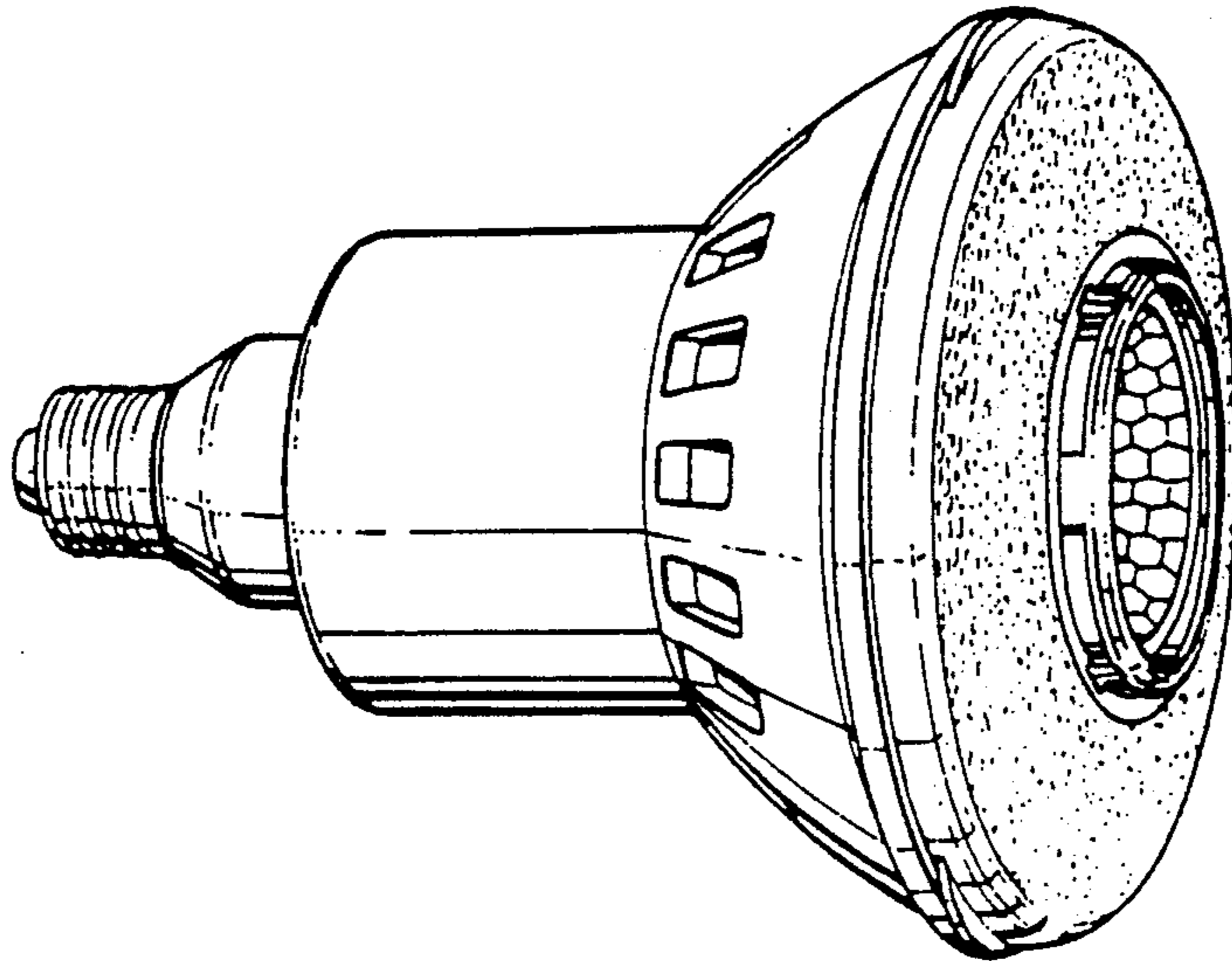


Fig. 1

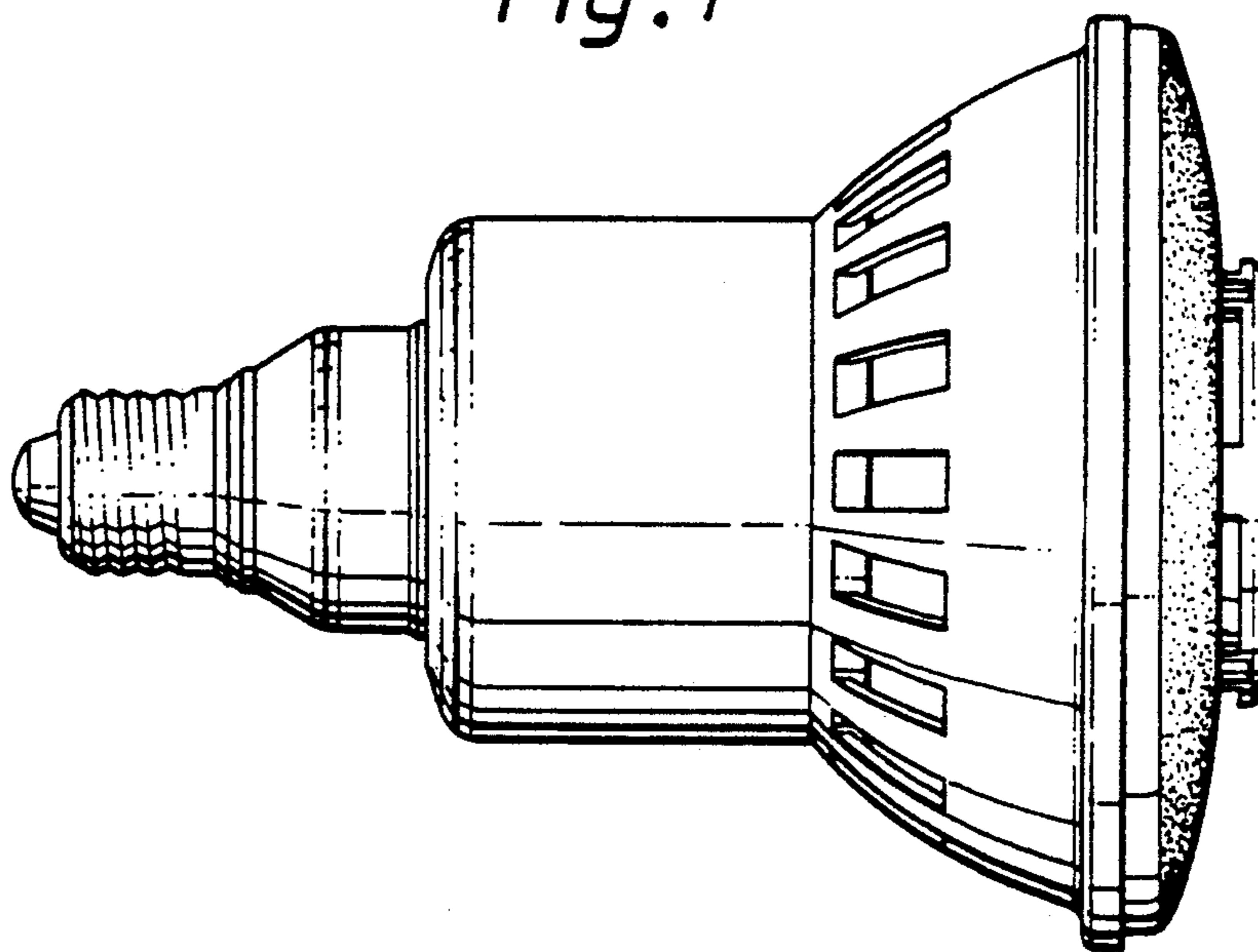


Fig. 2

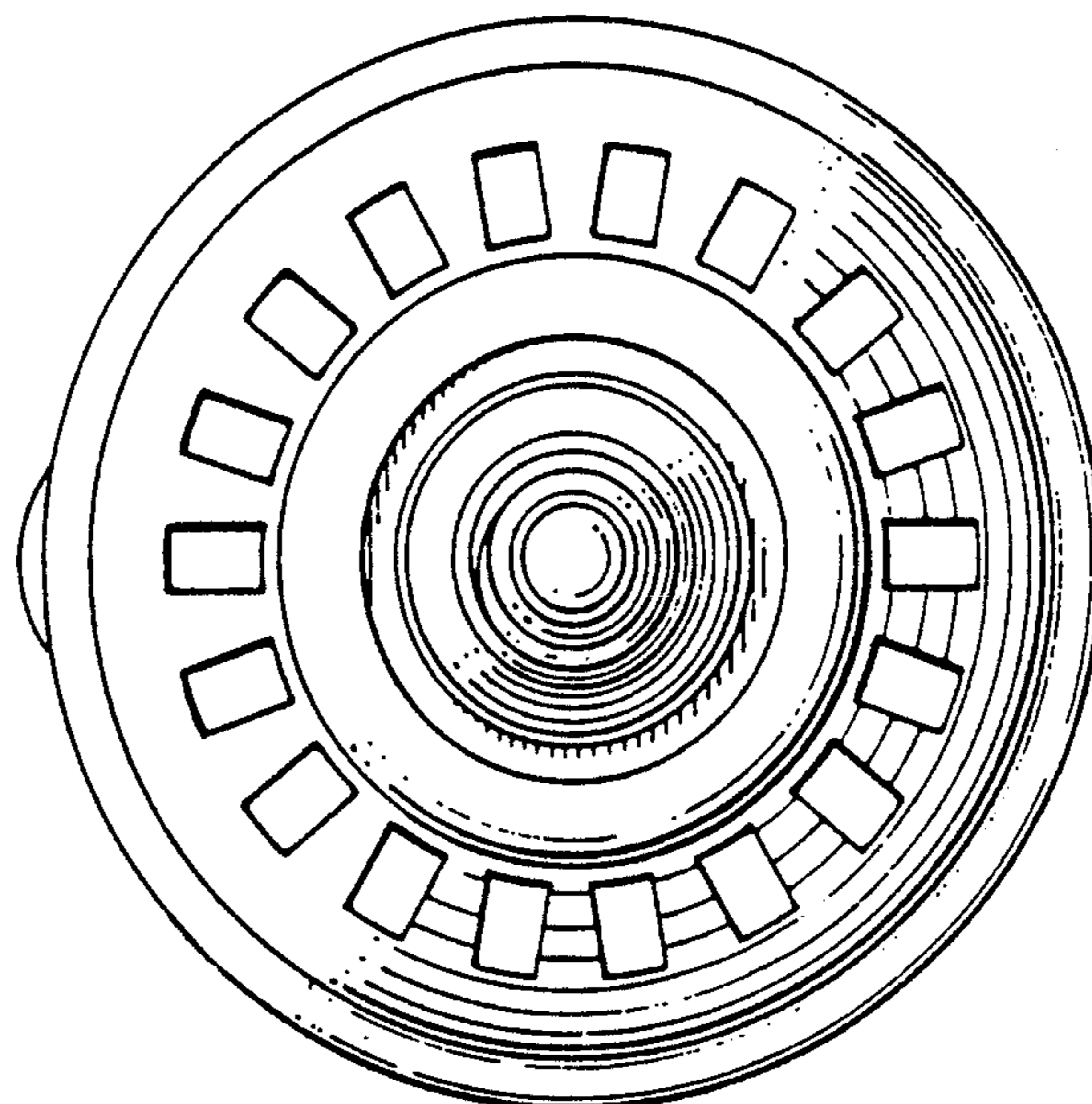


Fig. 3

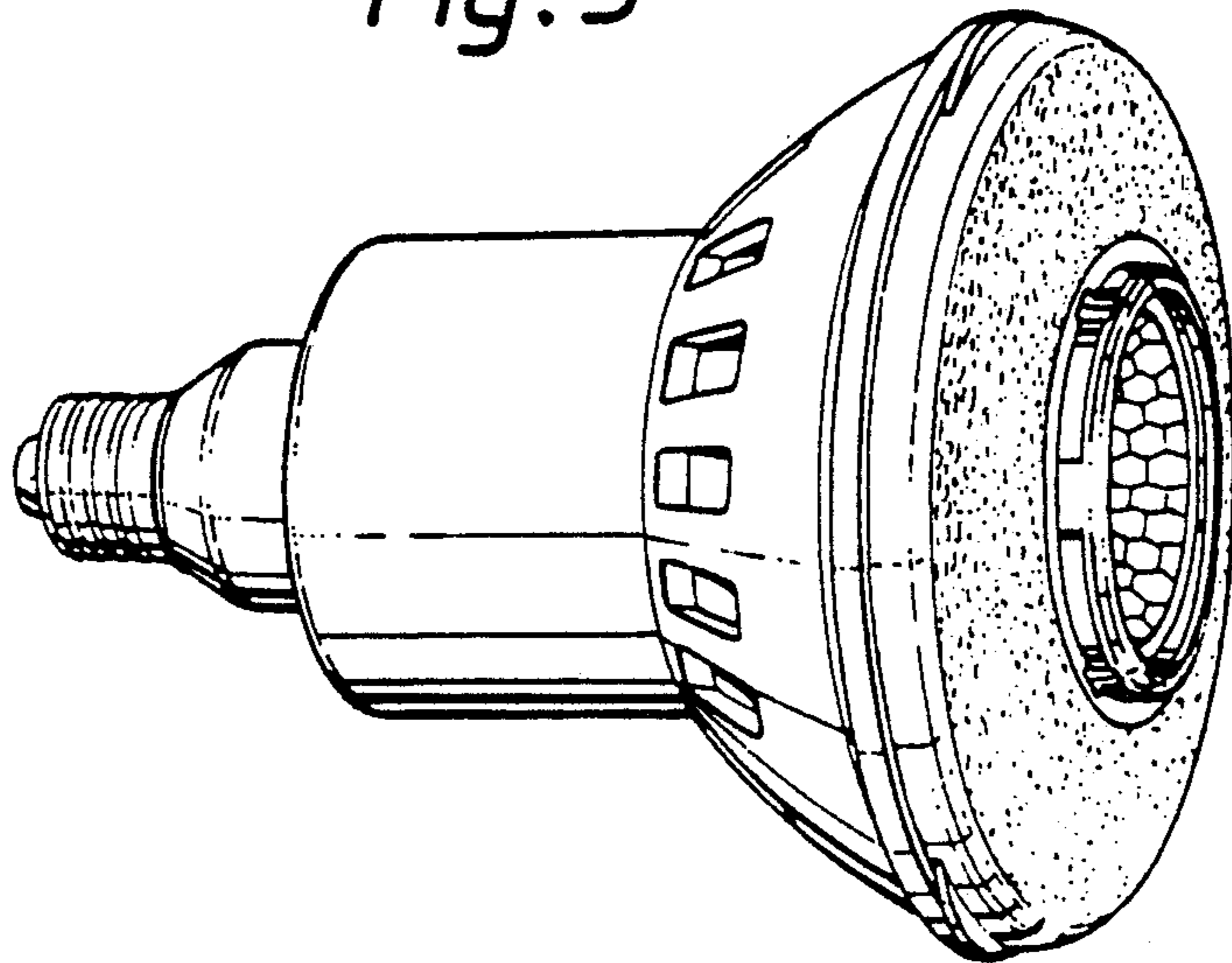


Fig. 4

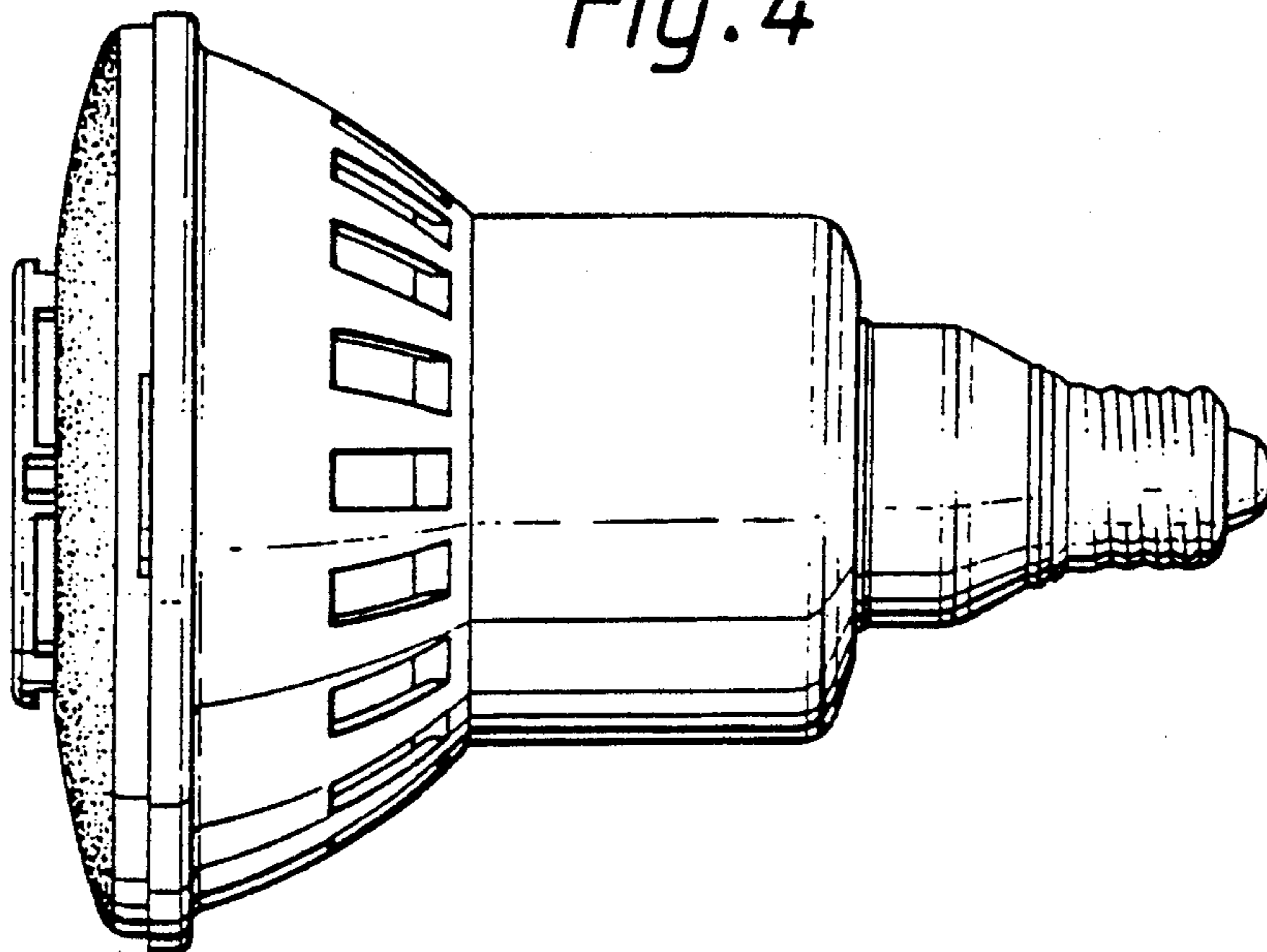


Fig. 5

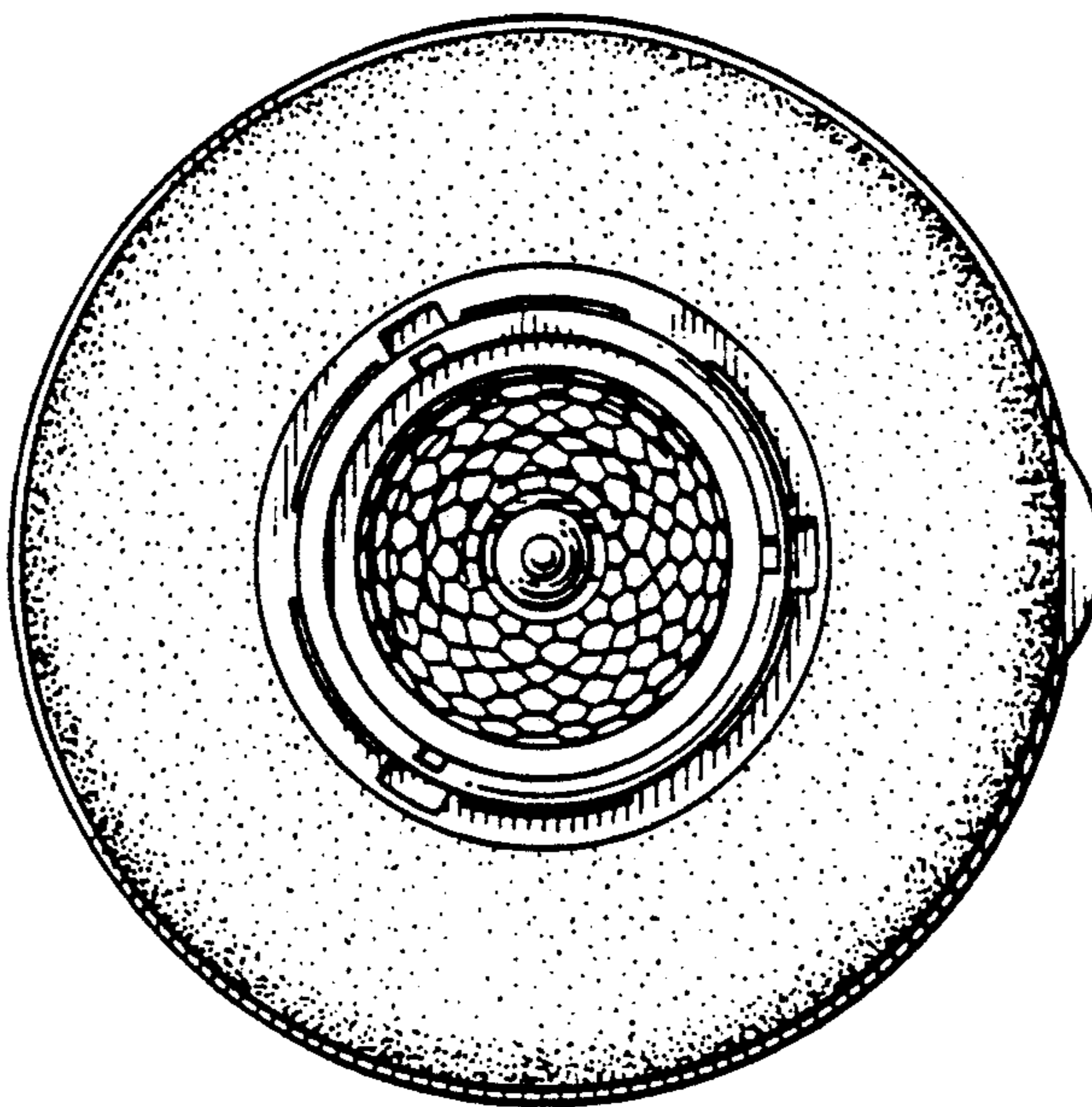


Fig. 6

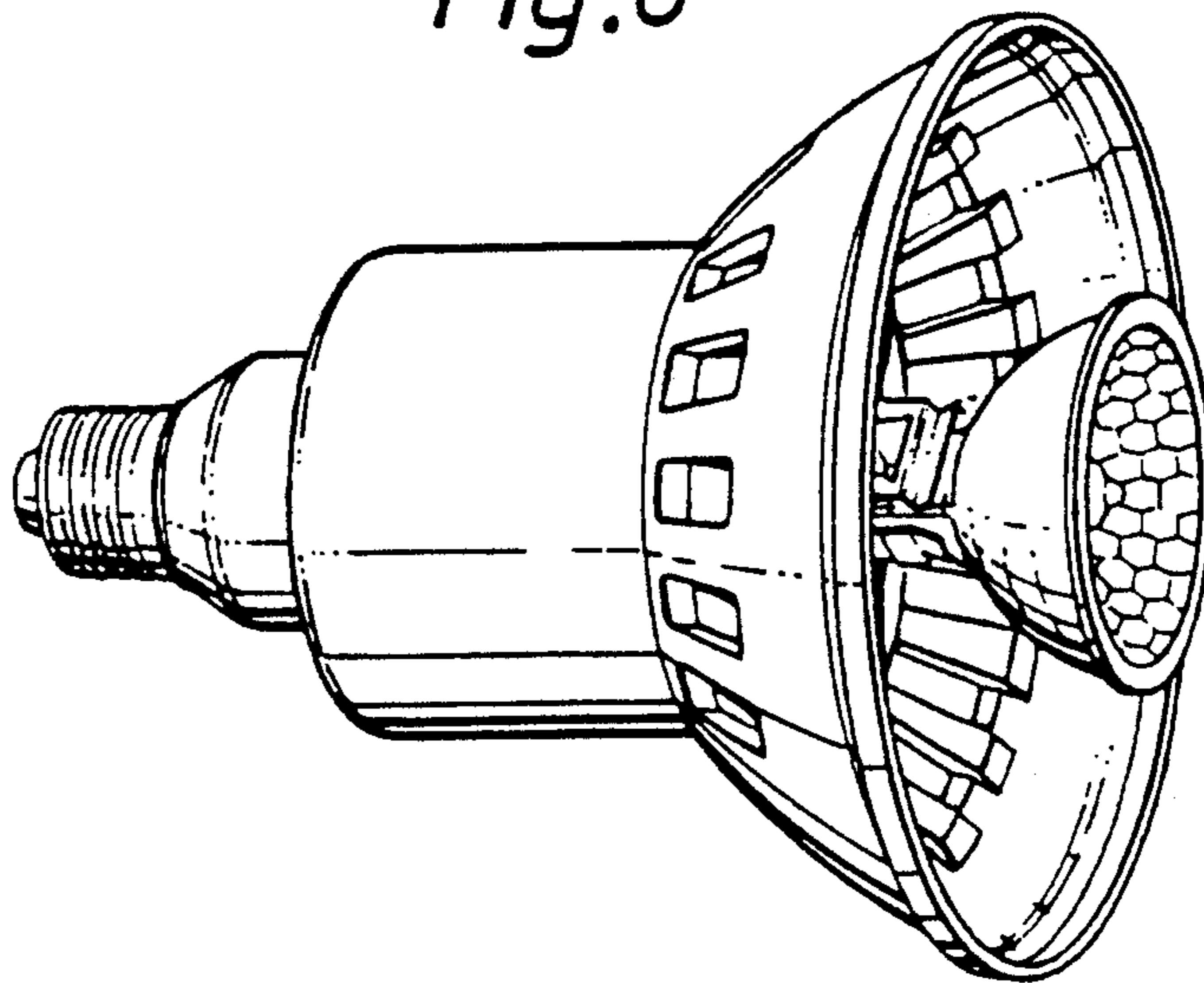


Fig. 7

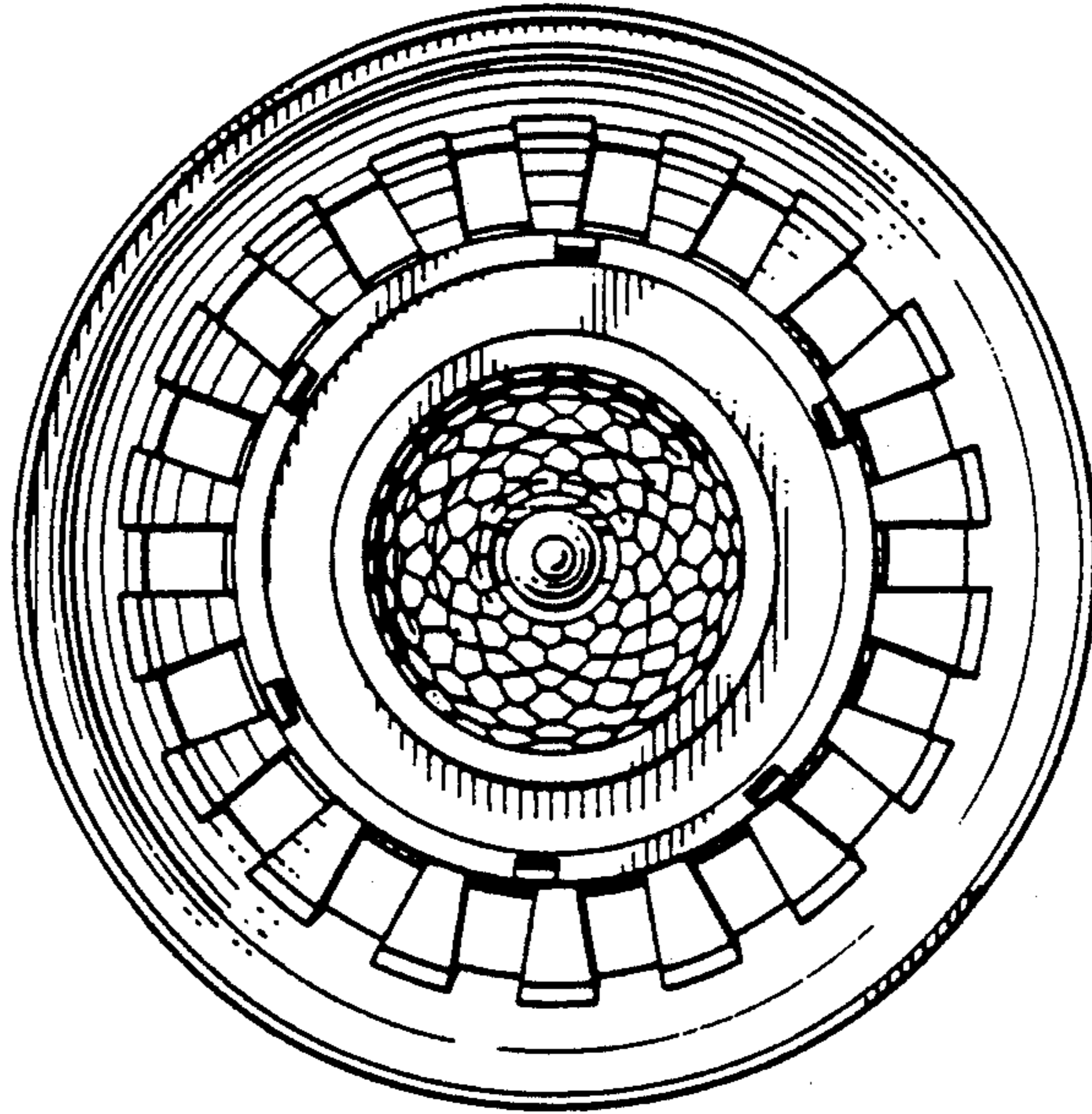


Fig. 8

