

[54] LOCKING CANNULA

[75] Inventors: Steven C. Jepson; Thomas E. Dudar, both of Palatine; Vince C. Desecki, Ingleside; Peter Graham, Wildwood; Michael J. Finley, Park City, all of Ill.

[73] Assignee: Baxter International Inc., Deerfield, Ill.

[**] Term: 14 Years

[21] Appl. No.: 320,246

[22] Filed: Mar. 7, 1989

[52] U.S. Cl. D24/112

[58] Field of Search D24/53, 51, 52; 604/280, 283, 244, 403, 406, 413, 29, 905; 285/81, 92, 332, 340, 386

[56] References Cited

U.S. PATENT DOCUMENTS

D. 204,670 5/1966 Gilson D24/53

D. 313,277 12/1990 Haining D24/53
4,759,756 7/1988 Forman et al. 604/413
4,946,455 8/1990 Rosen 604/403

Primary Examiner—Stella Reid

Attorney, Agent, or Firm—Paul C. Flattery; Amy L. H. Rockwell; Paul E. Schaafsma

[57] CLAIM

The ornamental design for a locking cannula, as shown and described.

DESCRIPTION

FIG. 1 is a perspective view of a locking cannula, showing our new design;
FIG. 2 is a side elevational view thereof, the opposite side elevational view being identical;
FIG. 3 is a top plan view thereof, the bottom plan view being identical;
FIG. 4 is an end elevational view thereof, taken from the left of FIG. 2; and
FIG. 5 is an end elevational view thereof, taken from the right of FIG. 2.

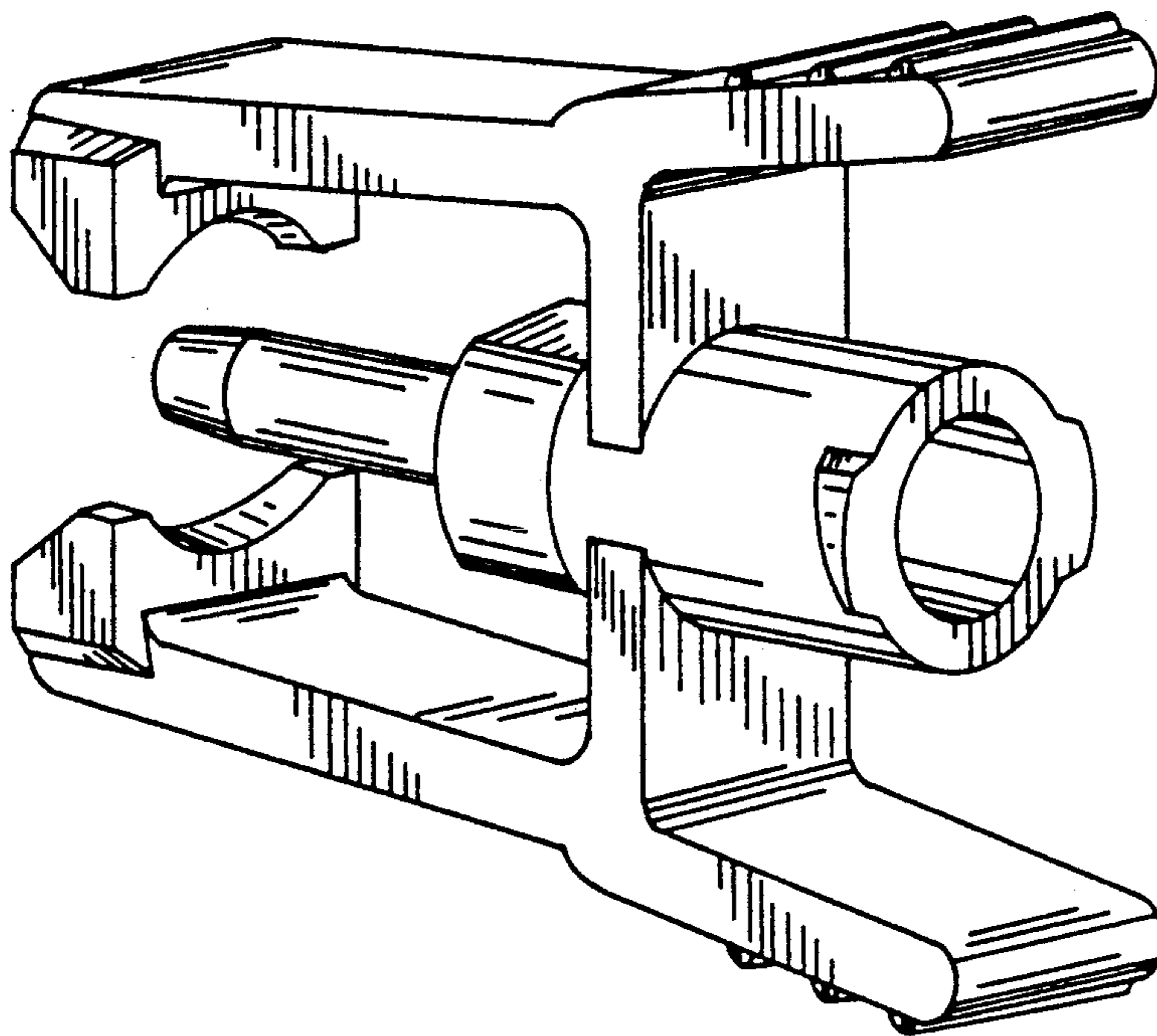


FIG. 1

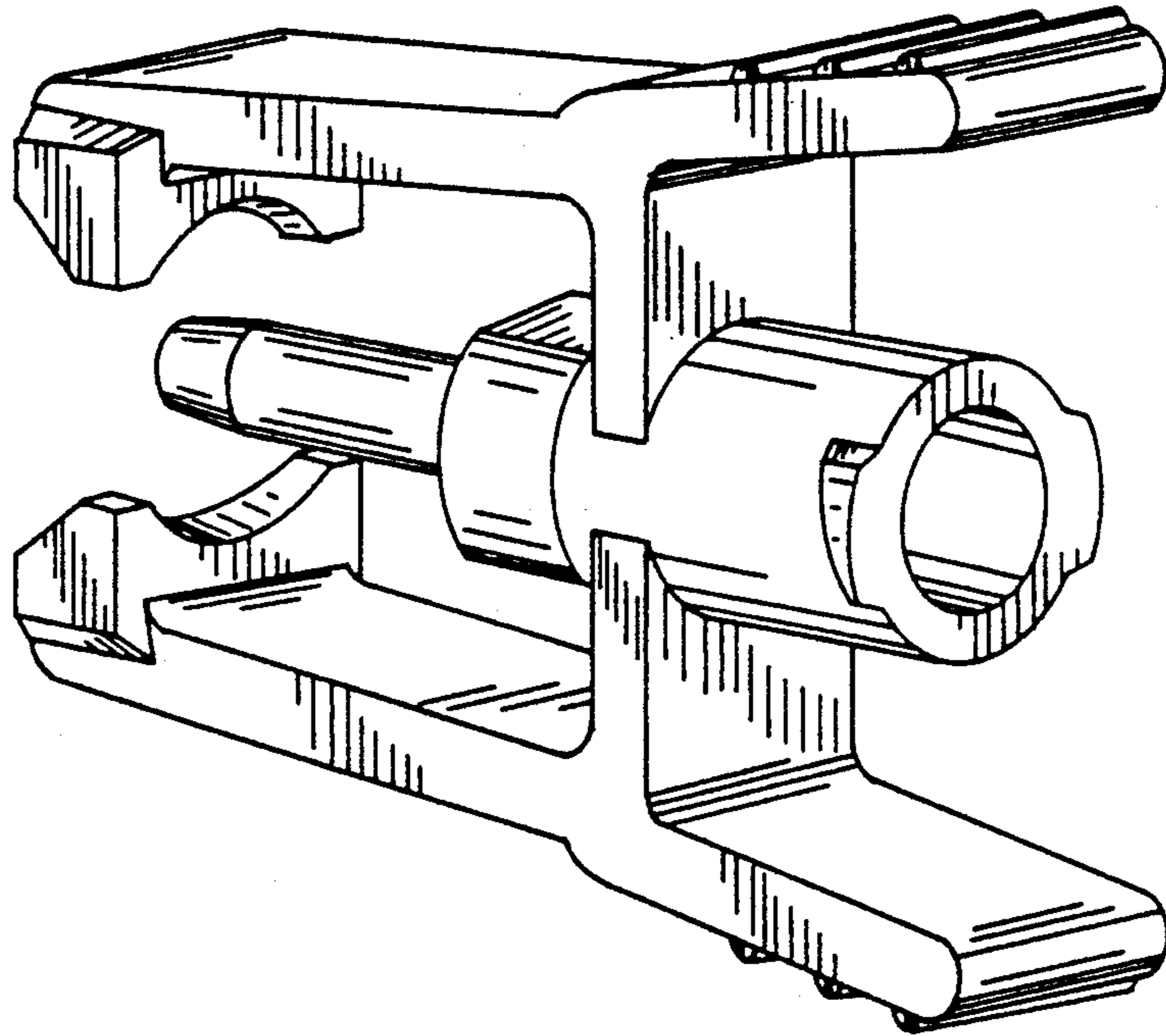


FIG. 2

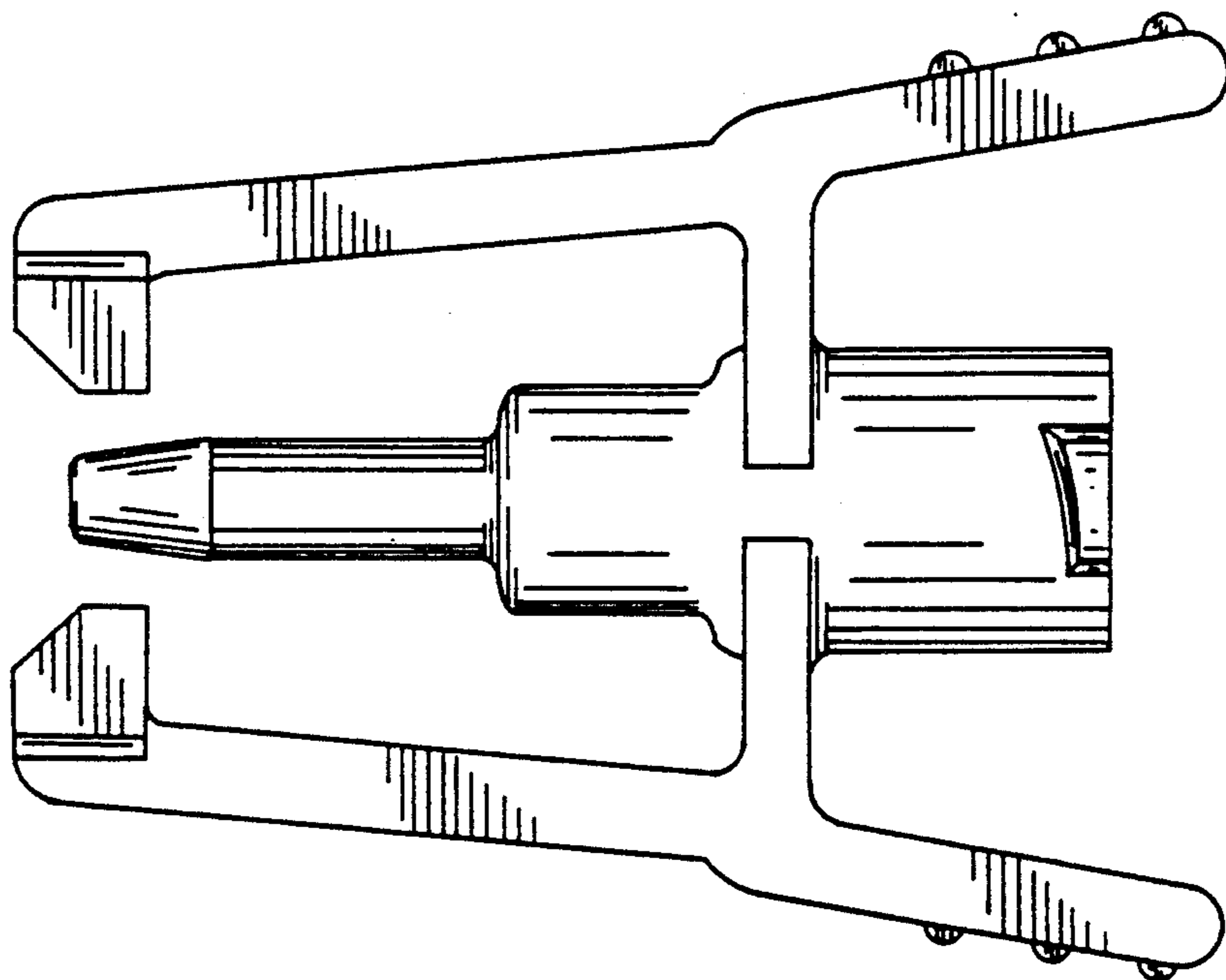


FIG. 3

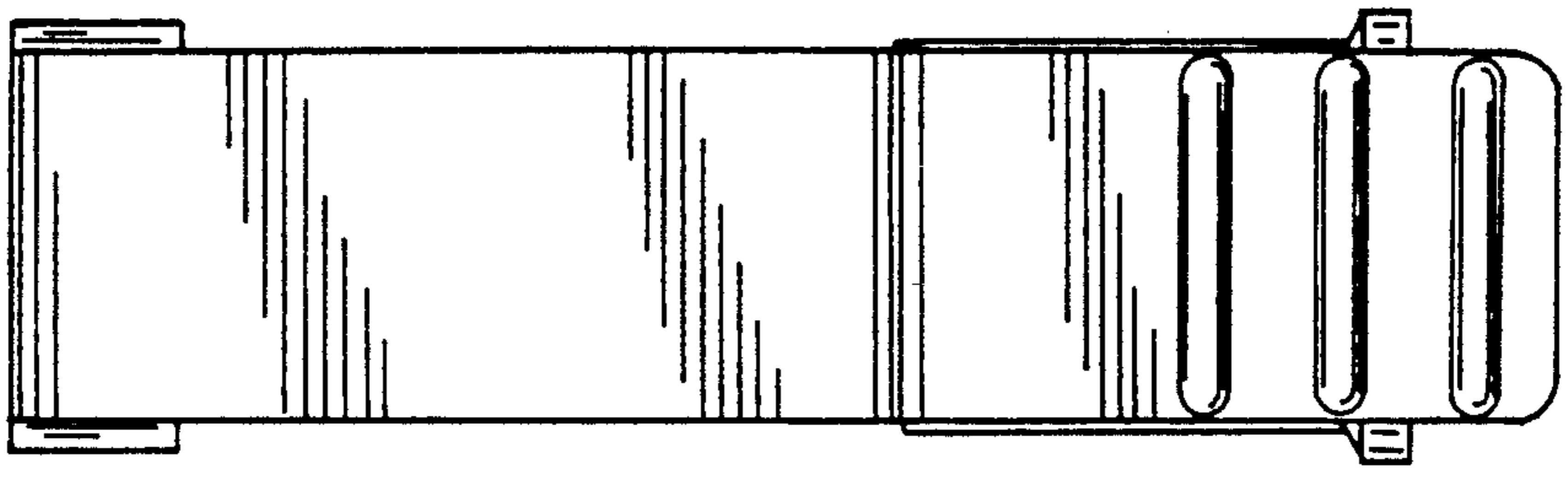


FIG. 4

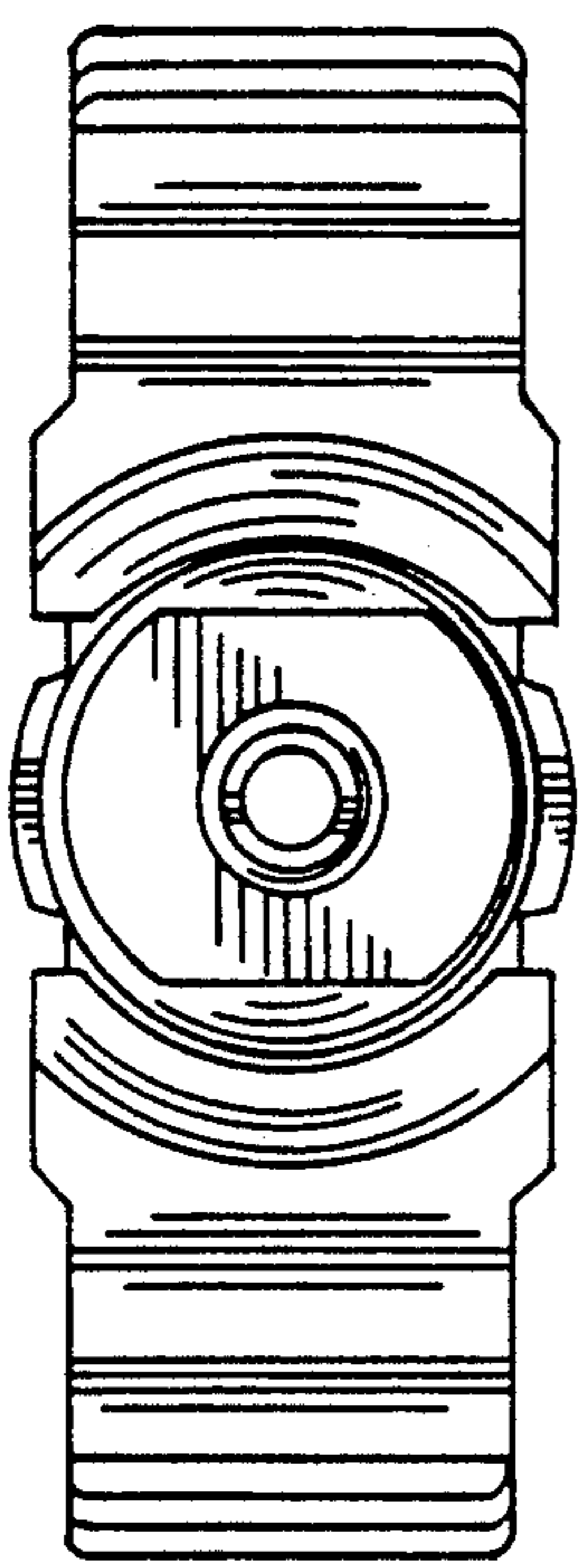


FIG. 5

