

[54] CANNULA RECEIVER

[75] Inventors: Steve C. Jepson; Thomas E. Dudar, both of Palatine; Vince C. Desecki, Ingleside; Michael J. Finley, Park City, all of Ill.

[73] Assignee: Baxter International Inc., Deerfield, Ill.

[**] Term: 14 Years

[21] Appl. No.: 320,245

[22] Filed: Mar. 7, 1989

[52] U.S. Cl. D24/112

[58] Field of Search D24/53, 51, 52; 604/280, 283, 244, 403, 406, 413, 29, 905; 285/81, 92, 332, 340, 386

[56] References Cited

U.S. PATENT DOCUMENTS

D. 314,050	1/1991	Sone	D24/53
4,133,312	1/1979	Burd	285/332 X
4,294,250	10/1981	Dennehey	604/403
4,452,473	6/1984	Ruschke	285/81

Primary Examiner—Stella Reid
Attorney, Agent, or Firm—Paul C. Flattery; Amy L. H. Rockwell; Paul E. Schaafsma

[57] CLAIM

The ornamental design for a cannula receiver, as shown and described.

DESCRIPTION

FIG. 1 is a perspective view of a cannula receiver, showing our new design;
FIG. 2 is a side elevational view thereof, all other sides being substantially identical thereto;
FIG. 3 is a bottom plan view thereof; and
FIG. 4 is a top plan view thereof.

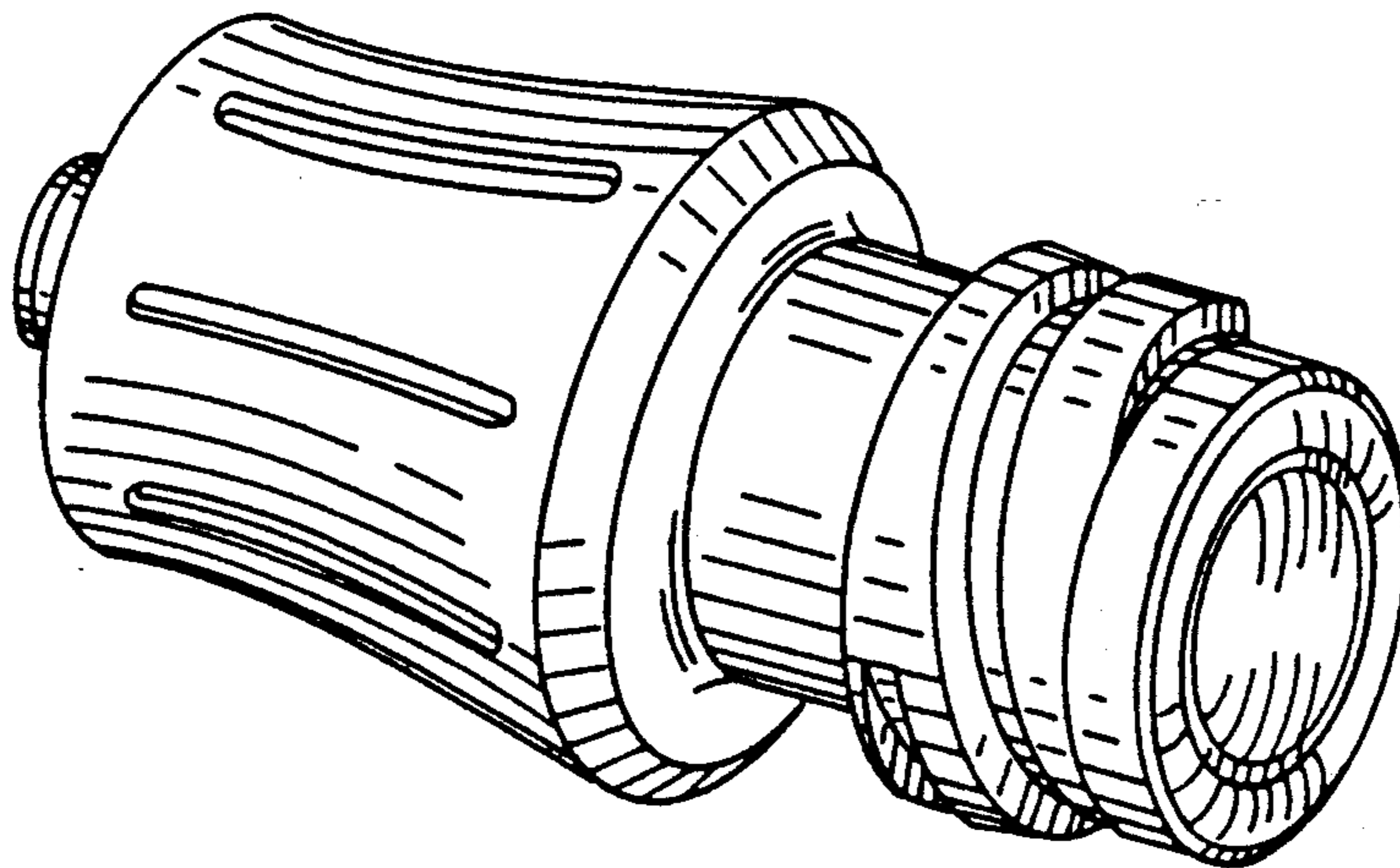


FIG. 1

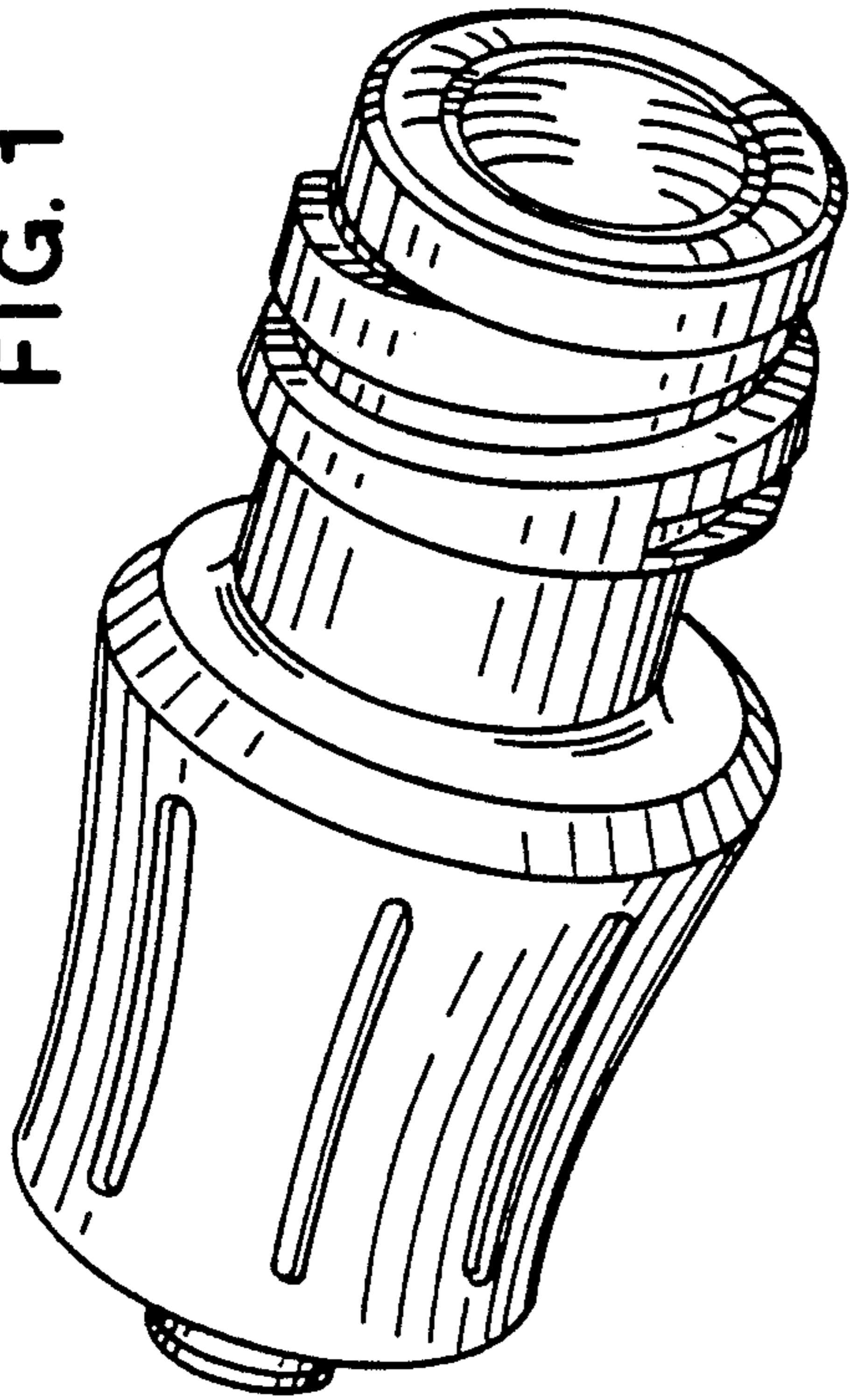


FIG. 3

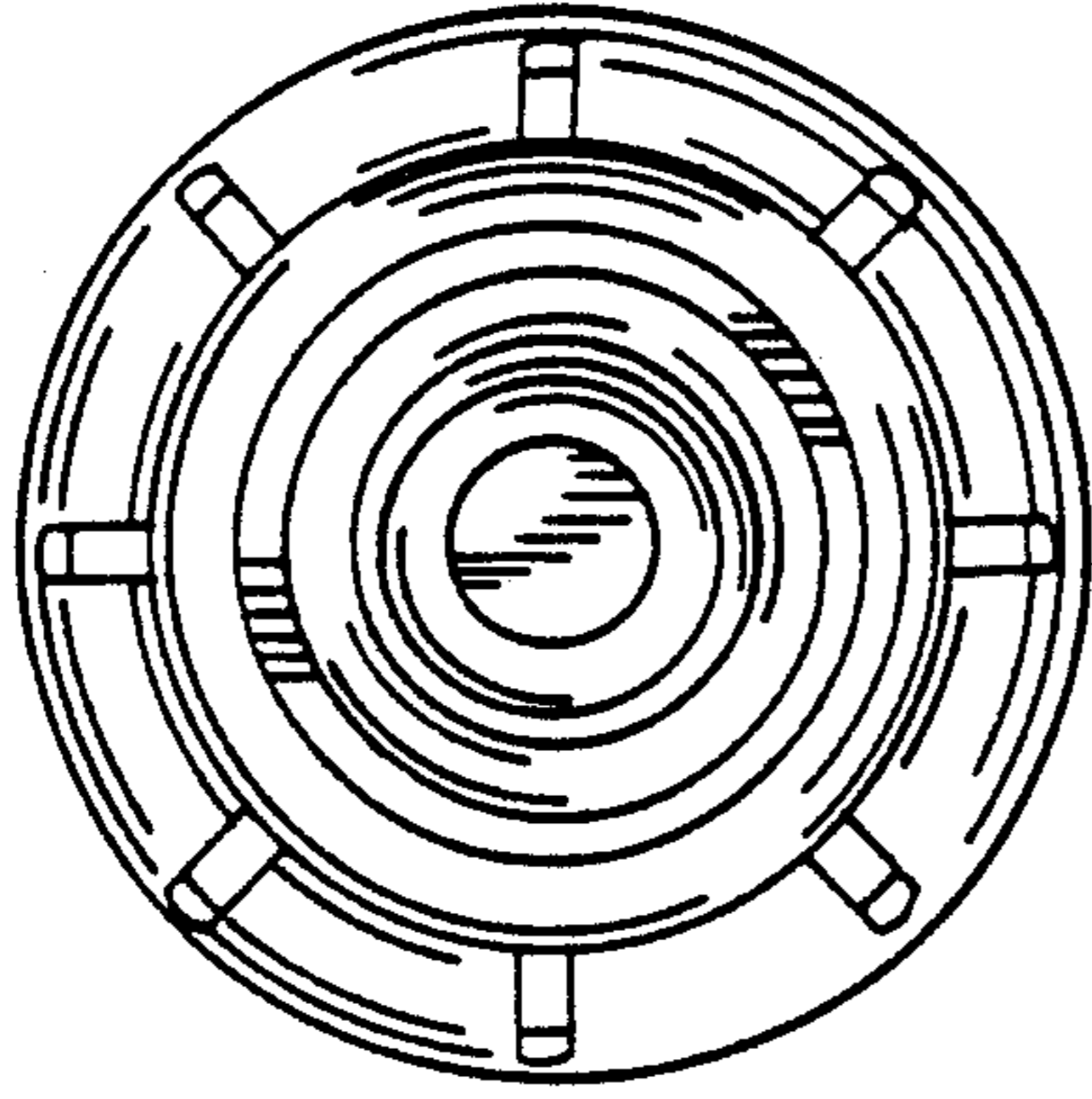


FIG. 2

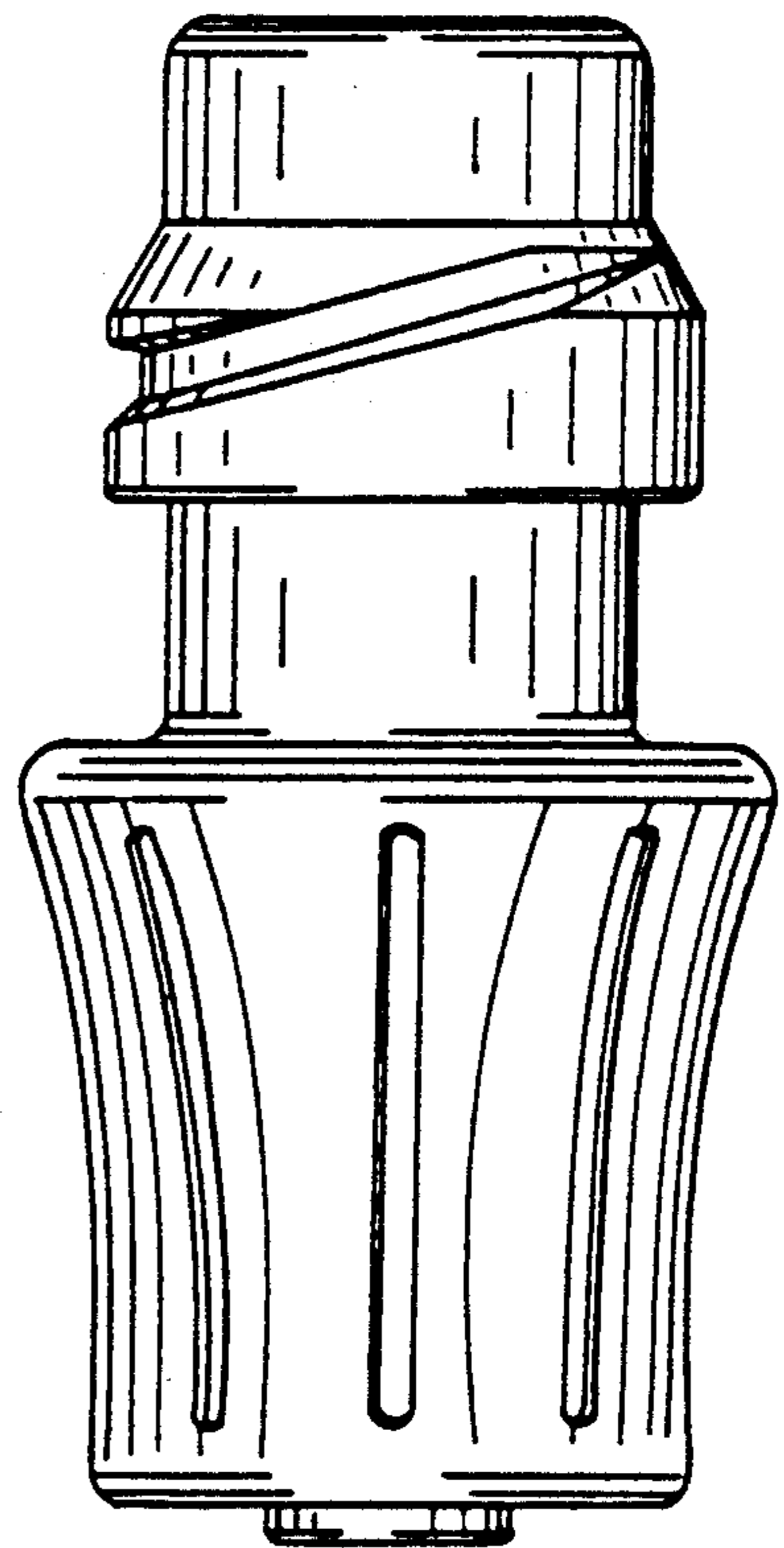


FIG. 4

