

United States Patent [19]

Jepson et al.

[11] Patent Number: **Des. 321,250**

[45] Date of Patent: **** Oct. 29, 1991**

[54] CANNULA

[75] Inventors: **Steve C. Jepson; Thomas E. Dudar,**
both of Palatine; **Vince C. Desecki,**
Ingleside; **Peter Graham,** Wildwood,
all of Ill.

[73] Assignee: **Baxter International Inc.,** Deerfield,
Ill.

[**] Term: **14 Years**

[21] Appl. No.: **320,244**

[22] Filed: **Mar. 7, 1989**

[52] U.S. Cl. **D24/112**

[58] Field of Search **D24/53, 51, 52;**
604/280, 283, 244, 403, 406, 413, 29, 905;
285/81, 92, 332, 340, 386

[56] **References Cited**

U.S. PATENT DOCUMENTS

3,729,031 4/1973 Baldwin .
3,729,032 4/1973 Tischlinger .

3,876,234 4/1975 Harms 285/332 X
4,266,815 5/1981 Cross 285/332 X
4,346,703 8/1982 Dennehey et al. 604/406
4,369,781 1/1983 Gilson et al. 604/403
4,452,473 6/1984 Ruschke 285/92 X

Primary Examiner—Stella Reid
Attorney, Agent, or Firm—Paul C. Flattery; Amy L. H.
Rockwell; Paul E. Schaafsma

[57] CLAIM

The ornamental design for a cannula, as shown and described.

DESCRIPTION

FIG. 1 is a perspective view of a cannula, showing our new design;
FIG. 2 is a top plan view thereof, the bottom plan view being identical;
FIG. 3 is an end elevational view thereof;
FIG. 4 is a side elevational view thereof, the opposite side being identical; and
FIG. 5 is an end elevational view thereof, opposite that shown in FIG. 3.

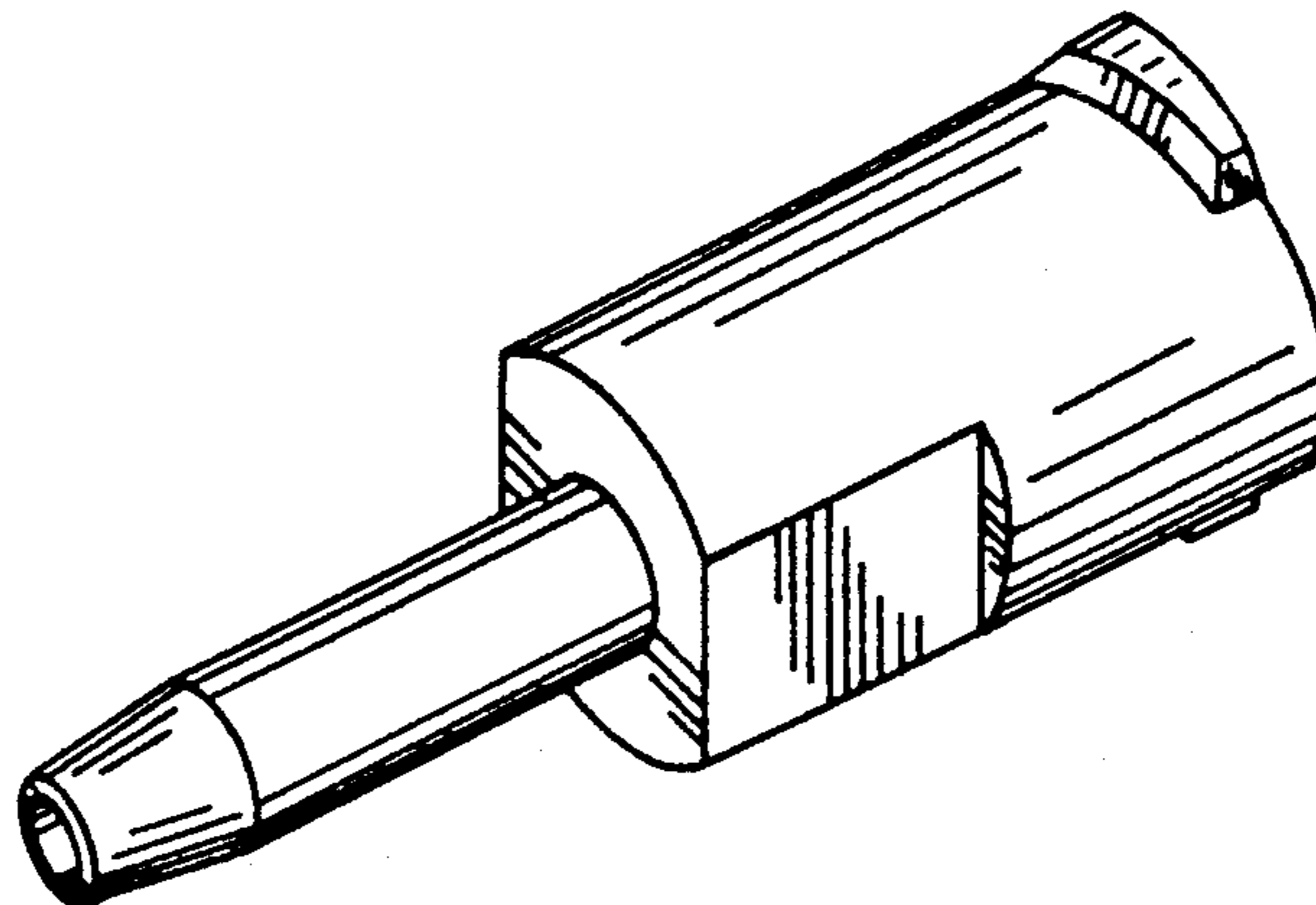


FIG. 1

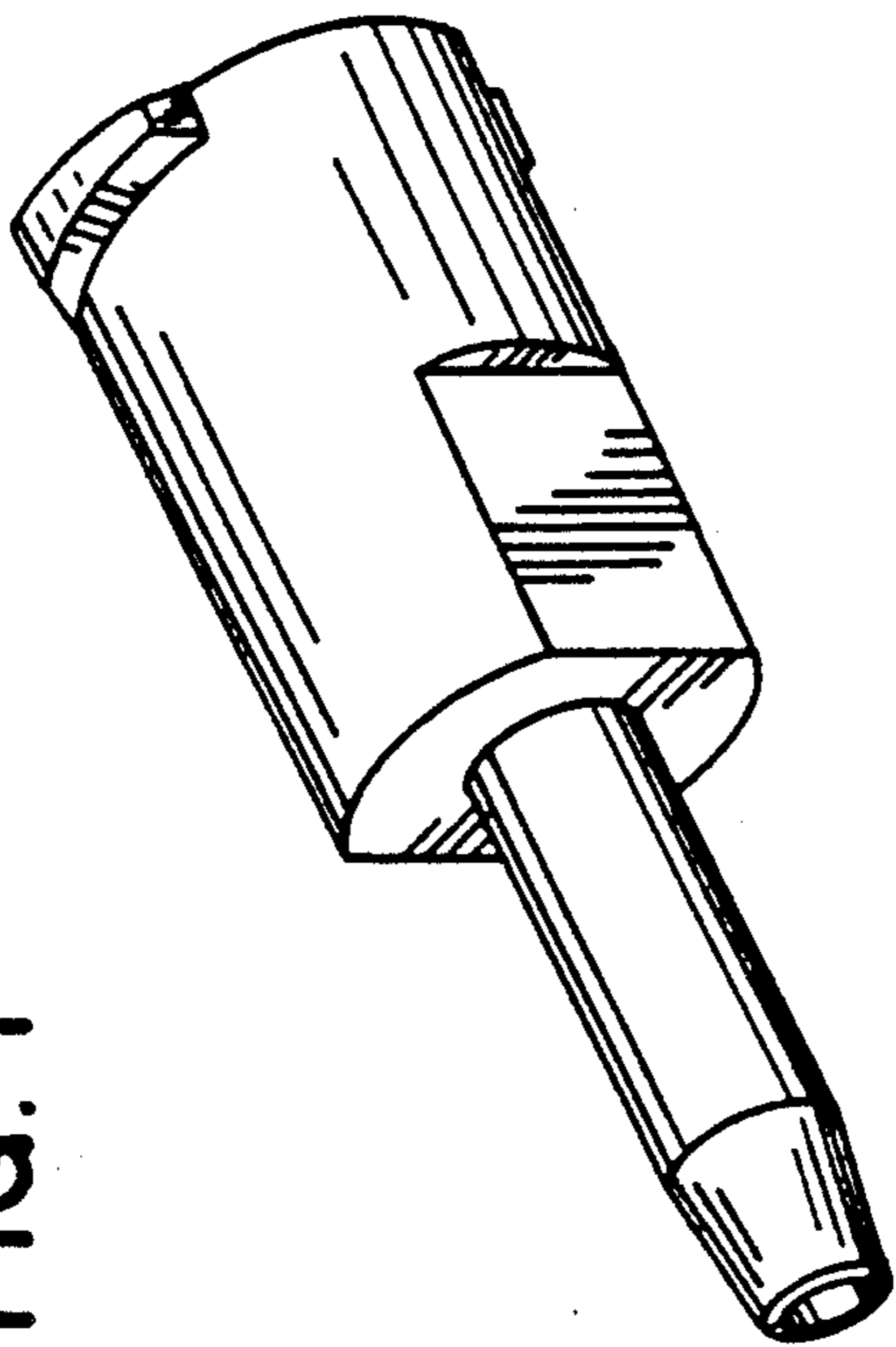


FIG. 2

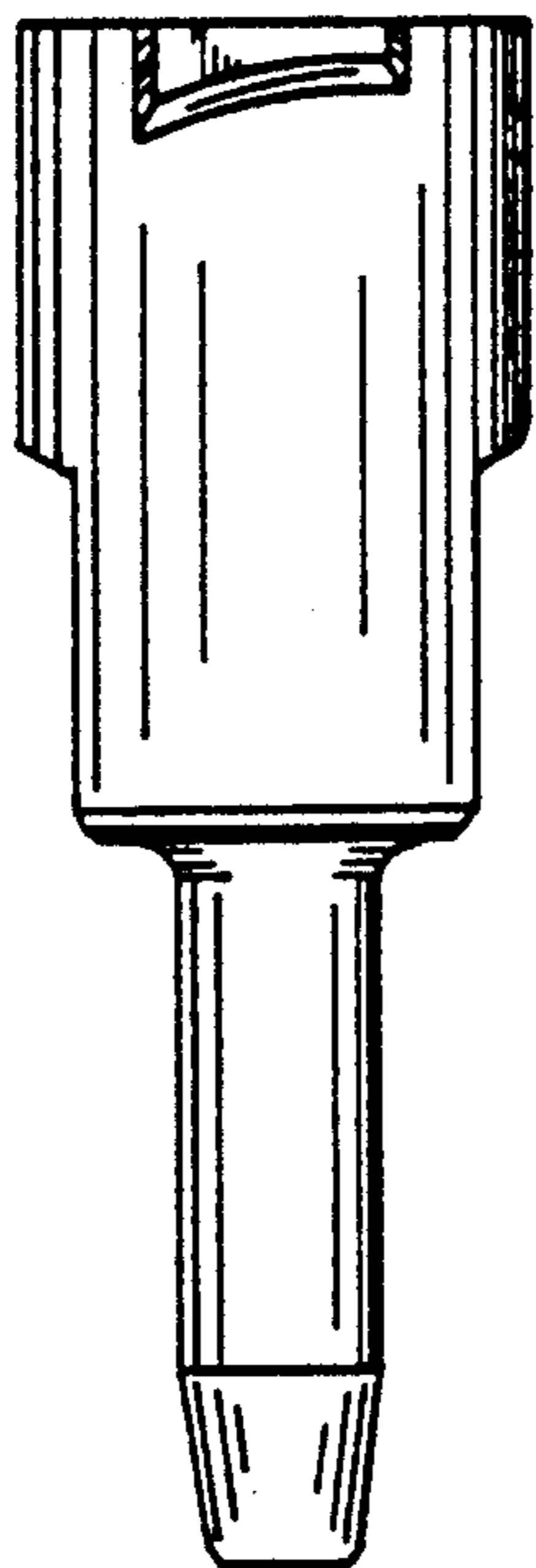


FIG. 3

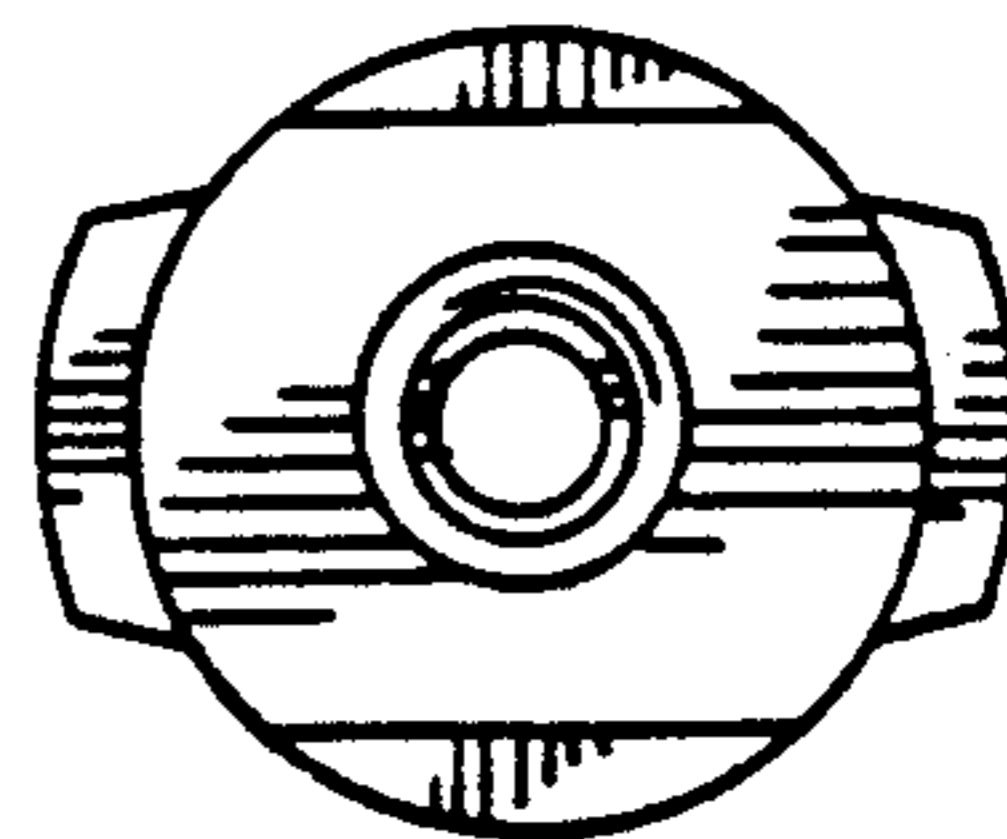


FIG. 4

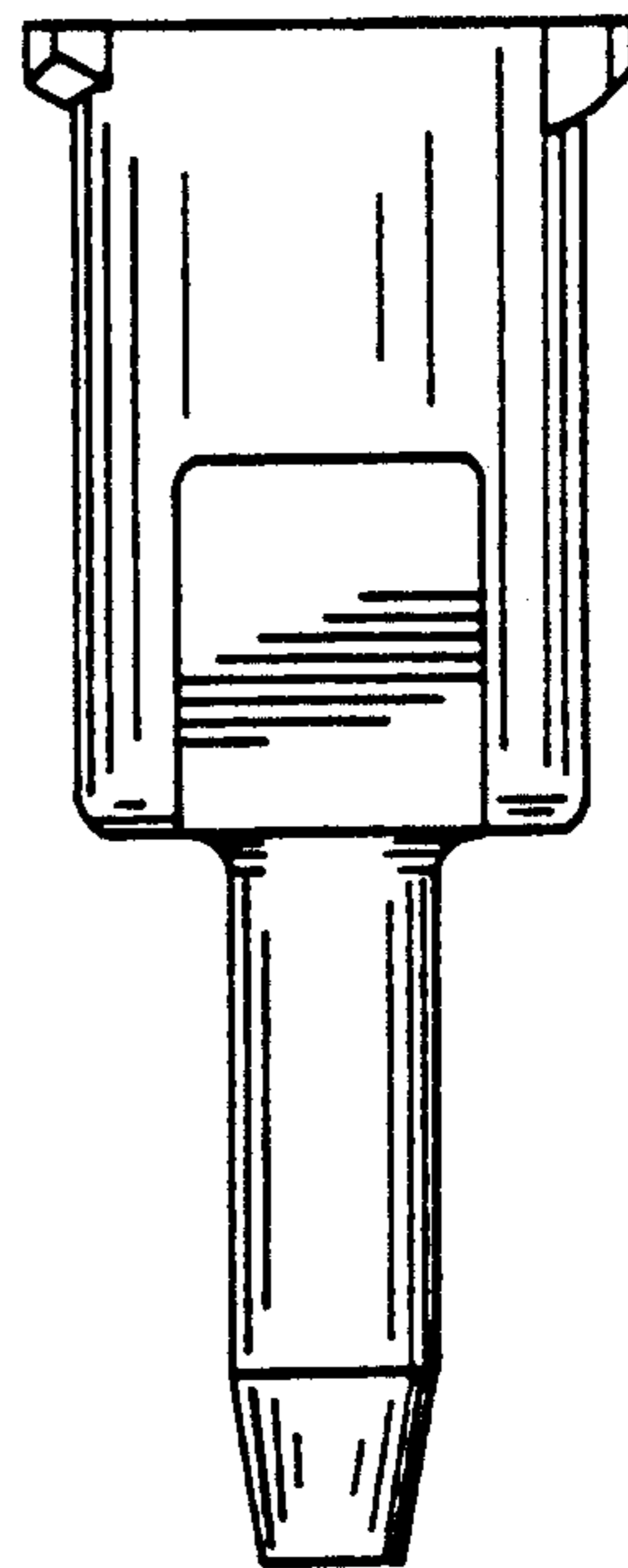


FIG. 5

