

[54] **SURGICAL INSTRUMENT REST**
[75] **Inventor:** Nancy G. Gorski, 404 Manzanita St.,
Camarillo, Calif. 93010
[73] **Assignee:** Nancy G. Gorski, Camarillo, Calif.
[**] **Term:** 14 Years
[21] **Appl. No.:** 175,721
[22] **Filed:** Mar. 30, 1988
[52] **U.S. Cl.** D24/229
[58] **Field of Search** D24/31; 211/70.6, 69.9,
211/41, 40, 13; 206/370, 373, 232, 382, 373,
470, 553, 564, 818; D15/140; D7/554; D8/71

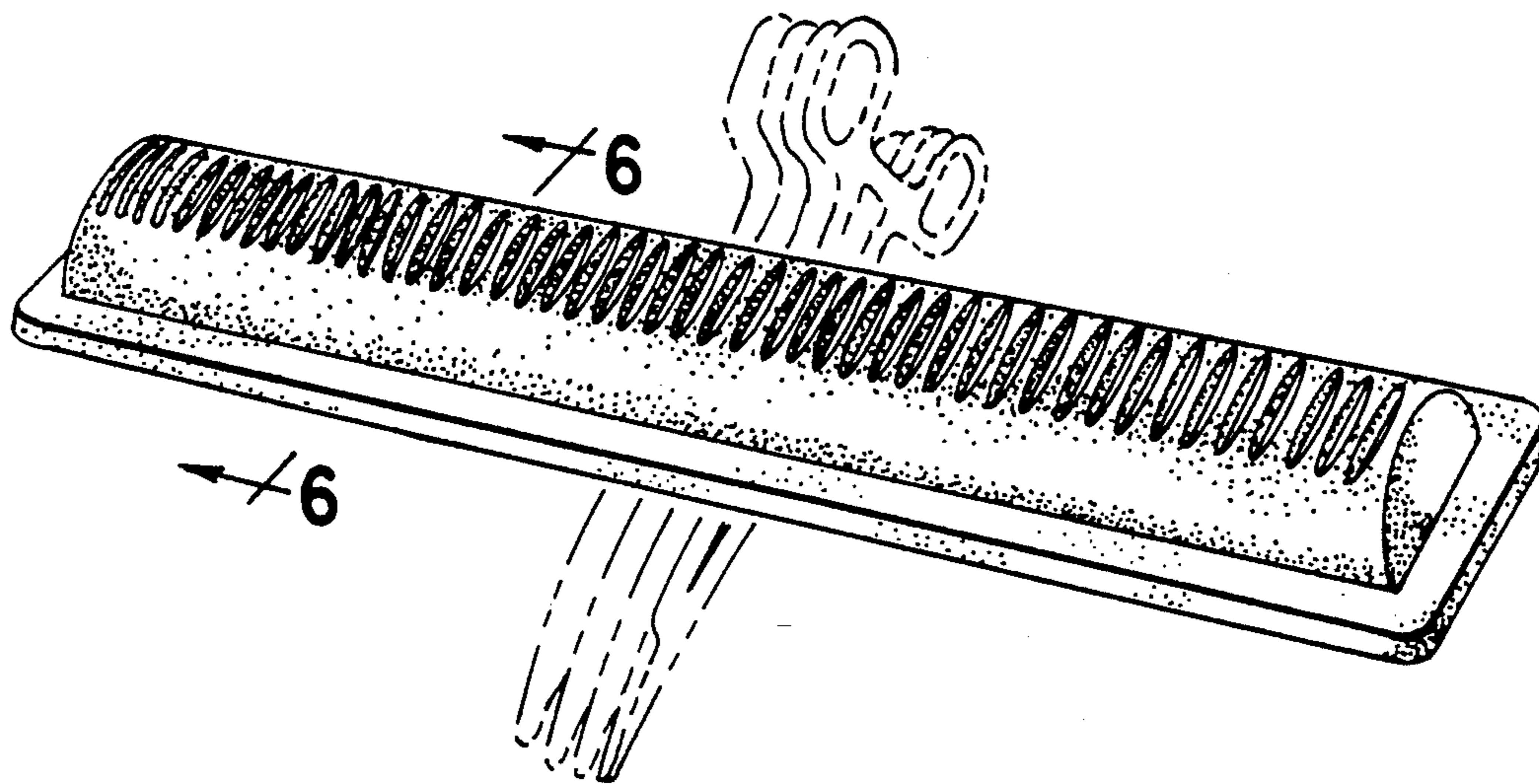
[56] **References Cited**
U.S. PATENT DOCUMENTS
D. 170,798 11/1953 Dundon et al. D15/140
D. 306,481 3/1990 Lang D24/31
2,903,129 9/1959 Anderson, III D24/31 X

4,229,420 10/1980 Smith et al. 206/370 X
4,577,755 3/1986 Ramsay 206/370

Primary Examiner—Stella Reid
Attorney, Agent, or Firm—Edward W. Osann

[57] **CLAIM**
The ornamental design for a surgical instrument rest, as shown and described.

DESCRIPTION
FIG. 1 is a perspective view of a surgical instrument rest, showing my new design;
FIG. 2 is a top plan view thereof;
FIG. 3 is a front elevational view thereof;
FIG. 4 is a bottom plan view thereof;
FIG. 5 is an end elevational view thereof; the opposite end being identical thereto;
FIG. 6 is a cross sectional view taken along line 6—6 of FIG. 1; and
FIG. 7 is a rear elevational view thereof.



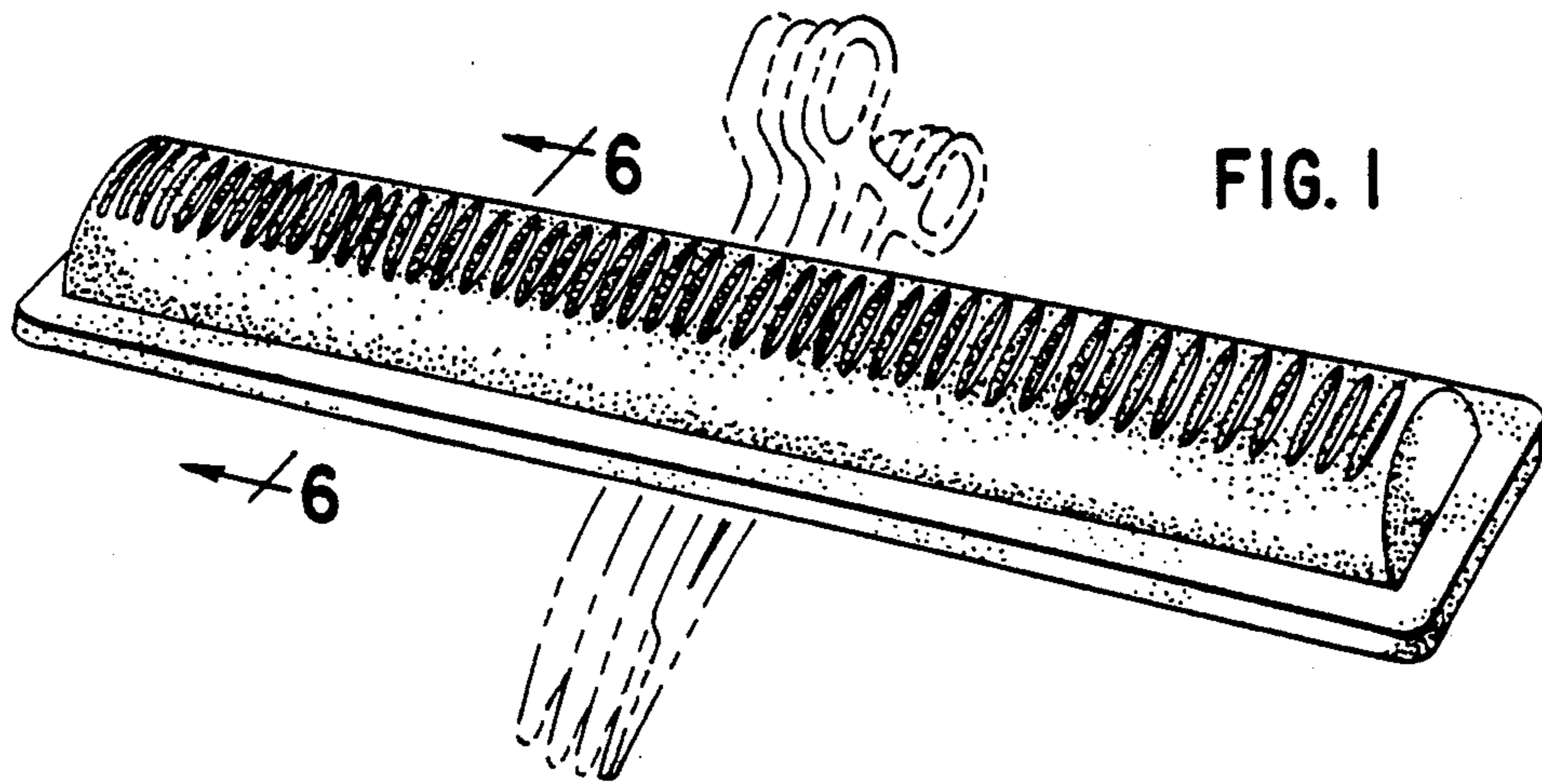


FIG. 1

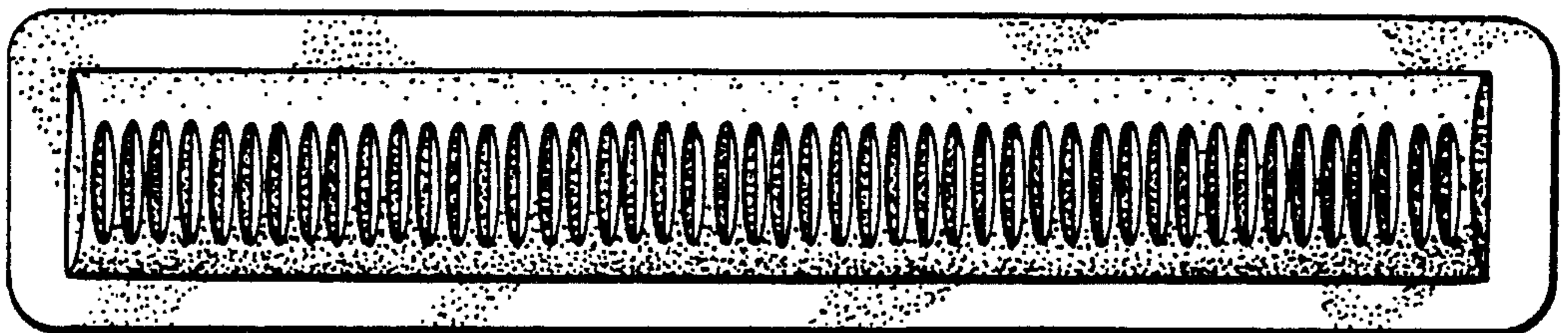


FIG. 2

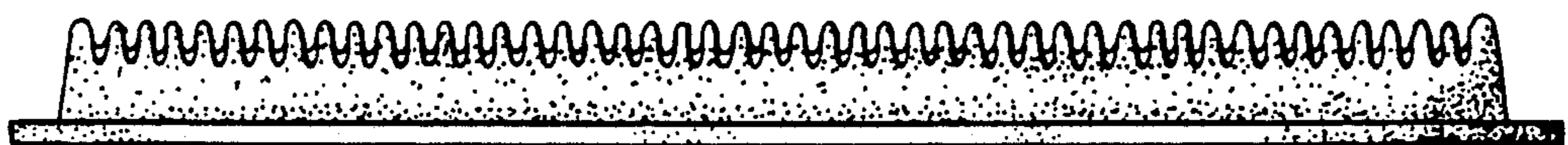


FIG. 3

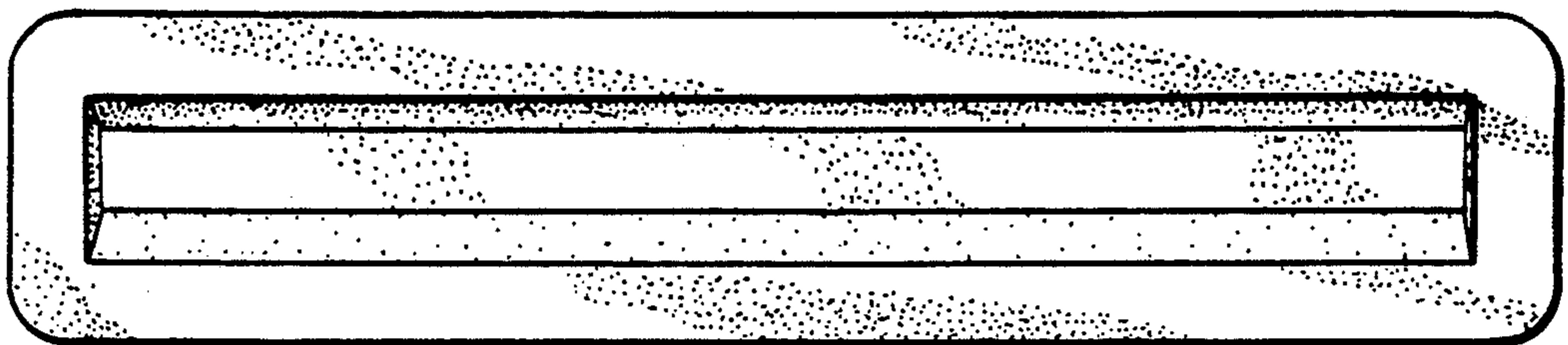


FIG. 4

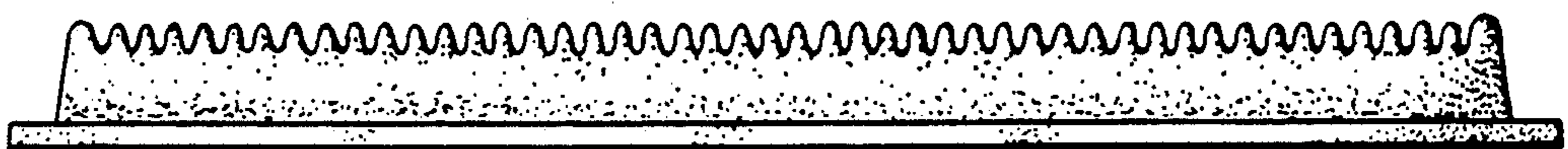


FIG. 7



FIG. 5



FIG. 6