

[54] VALVE

[76] Inventor: John H. Comstock, Jr., 200 Stettner Rd., Mabton, Wash. 98935

[\*\*] Term: 14 Years

[21] Appl. No.: 322,246

[22] Filed: Mar. 13, 1989

[52] U.S. Cl. .... D23/245

[58] Field of Search ..... D23/245, 236, 233-235; D24/62, 53; D29/6, 7; 137/312, 328, 72, 876, 556, 625.22, 625.47; 251/172, 174, 129.15, 304, 309, 310, 335.1; 128/205.24, 200.21

[56] References Cited

U.S. PATENT DOCUMENTS

D. 183,042	6/1958	Fuglie .....	D23/262
D. 191,425	9/1961	Popp .....	D23/245
D. 229,413	11/1973	Luckenbill et al. ....	D23/233
D. 266,691	10/1982	Brunet .....	D23/245
D. 294,298	2/1988	Bush .....	D24/62
417,702	12/1889	Carroll et al. ....	251/310
894,429	7/1908	Fulton .....	251/310
1,138,613	5/1915	Arnot .....	251/310
1,193,009	8/1916	Gibbs .....	251/310
2,738,158	3/1956	Fuglie .....	251/309
3,229,720	1/1966	Hirschowitz .....	137/625.22
3,349,799	10/1967	Mueller et al. ....	137/625.22

3,806,087	4/1974	Hulsander .....	251/309
3,913,886	10/1975	DiCicco .....	251/309
3,945,603	3/1976	Fraser .....	251/309
4,003,403	1/1977	Nehring .....	251/309
4,572,231	2/1986	Katayama .....	251/309
4,699,137	10/1987	Schroeder .....	128/205.24

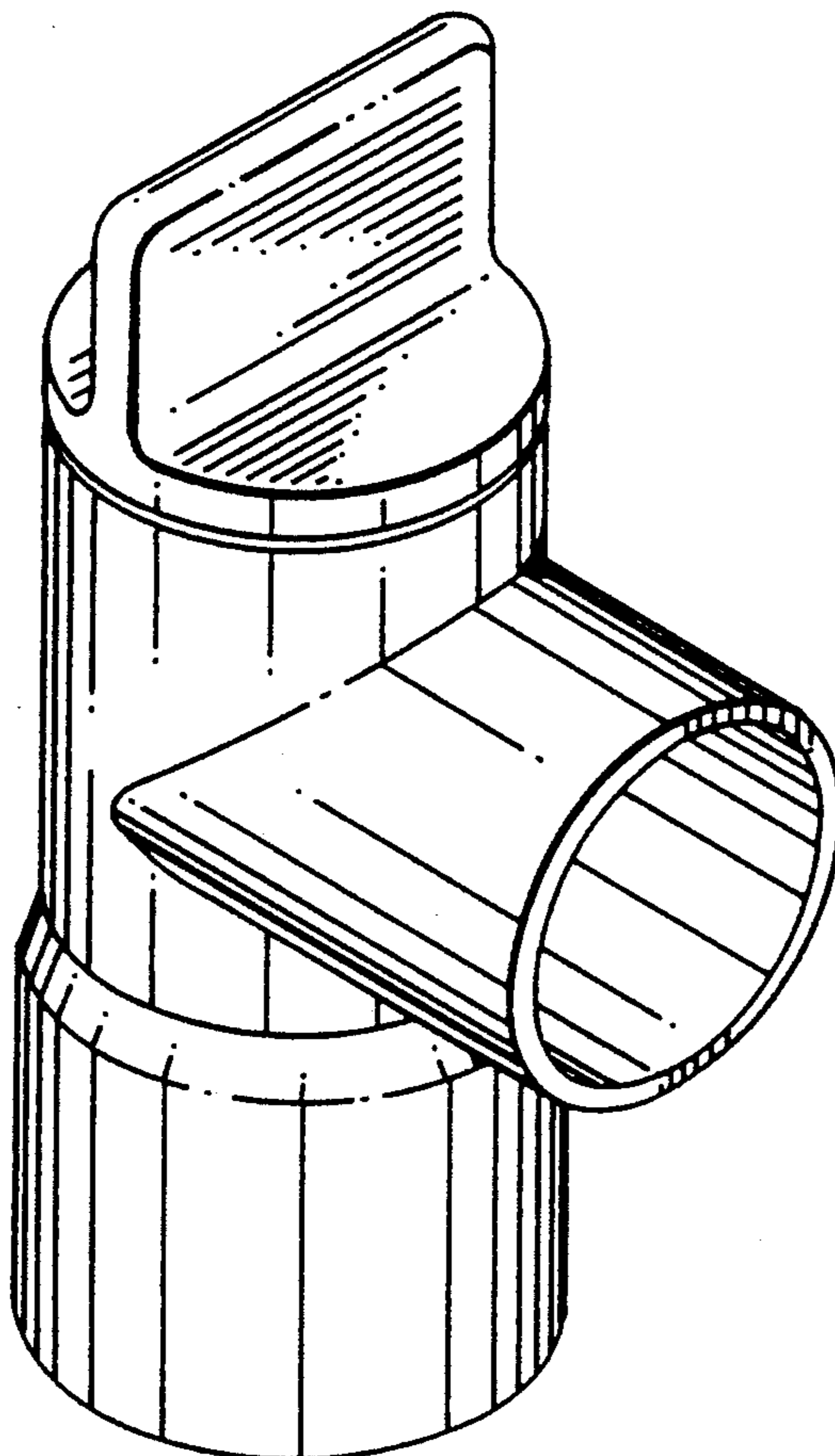
Primary Examiner—James R. Largen  
Attorney, Agent, or Firm—Wells, St. John & Roberts

[57] CLAIM

The ornamental design for valve, as shown and described.

DESCRIPTION

FIG. 1 is a perspective view taken from the top, front and left side of a valve showing my new design; FIG. 2 is a right side elevational view thereof; FIG. 3 is a front elevational view thereof; FIG. 4 is a rear elevational view thereof; FIG. 5 is a top plan view thereof; FIG. 6 is a bottom plan view thereof; FIG. 7 is a perspective view taken from the top, front and left side of a second embodiment thereof; FIG. 8 is a right side elevational view of FIG. 7; FIG. 9 is a front elevational view of FIG. 7; FIG. 10 is a rear elevational view of FIG. 7; FIG. 11 is a top plan view of FIG. 7; and FIG. 12 is a bottom plan view of FIG. 7.



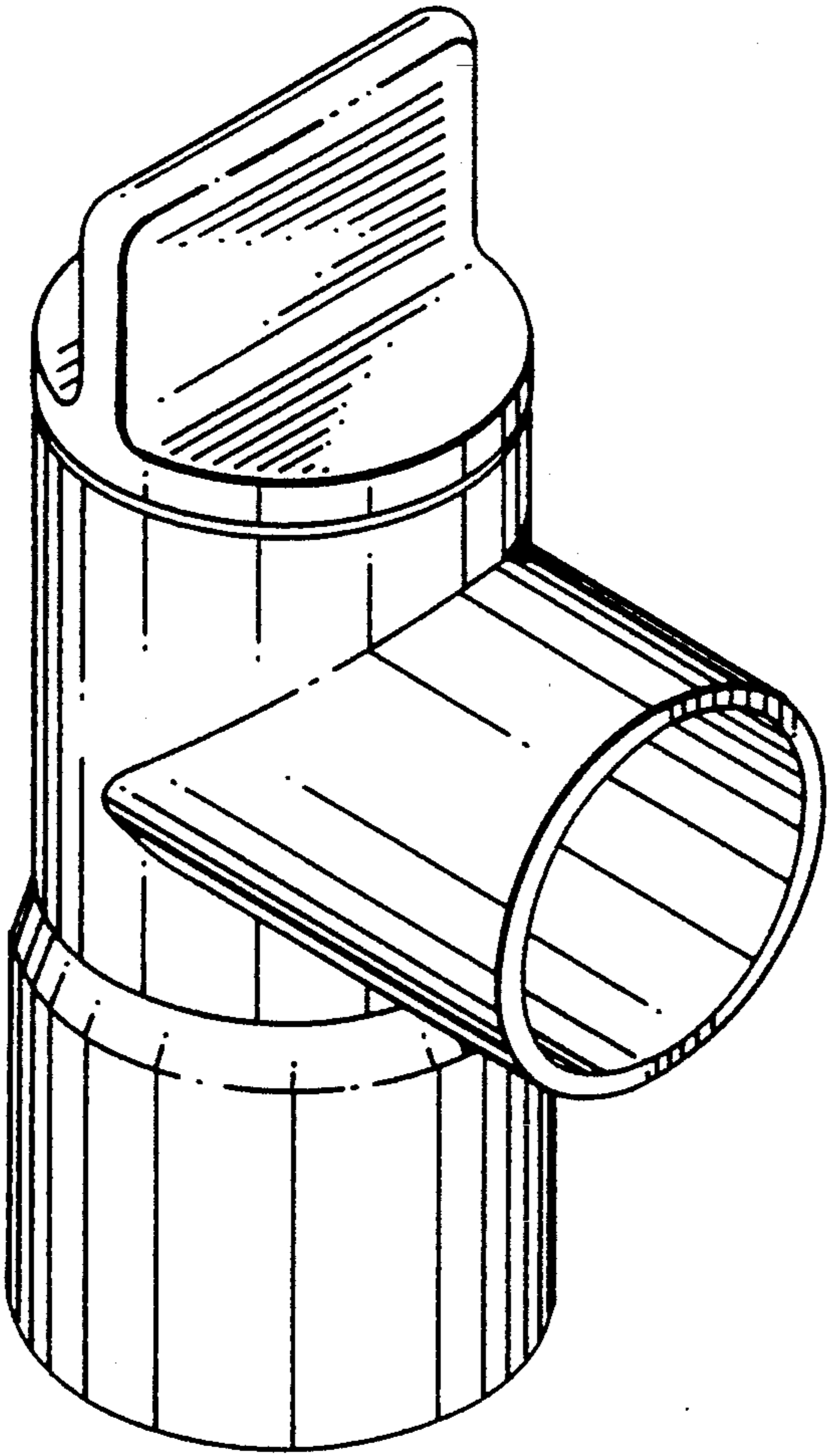


FIG. 1

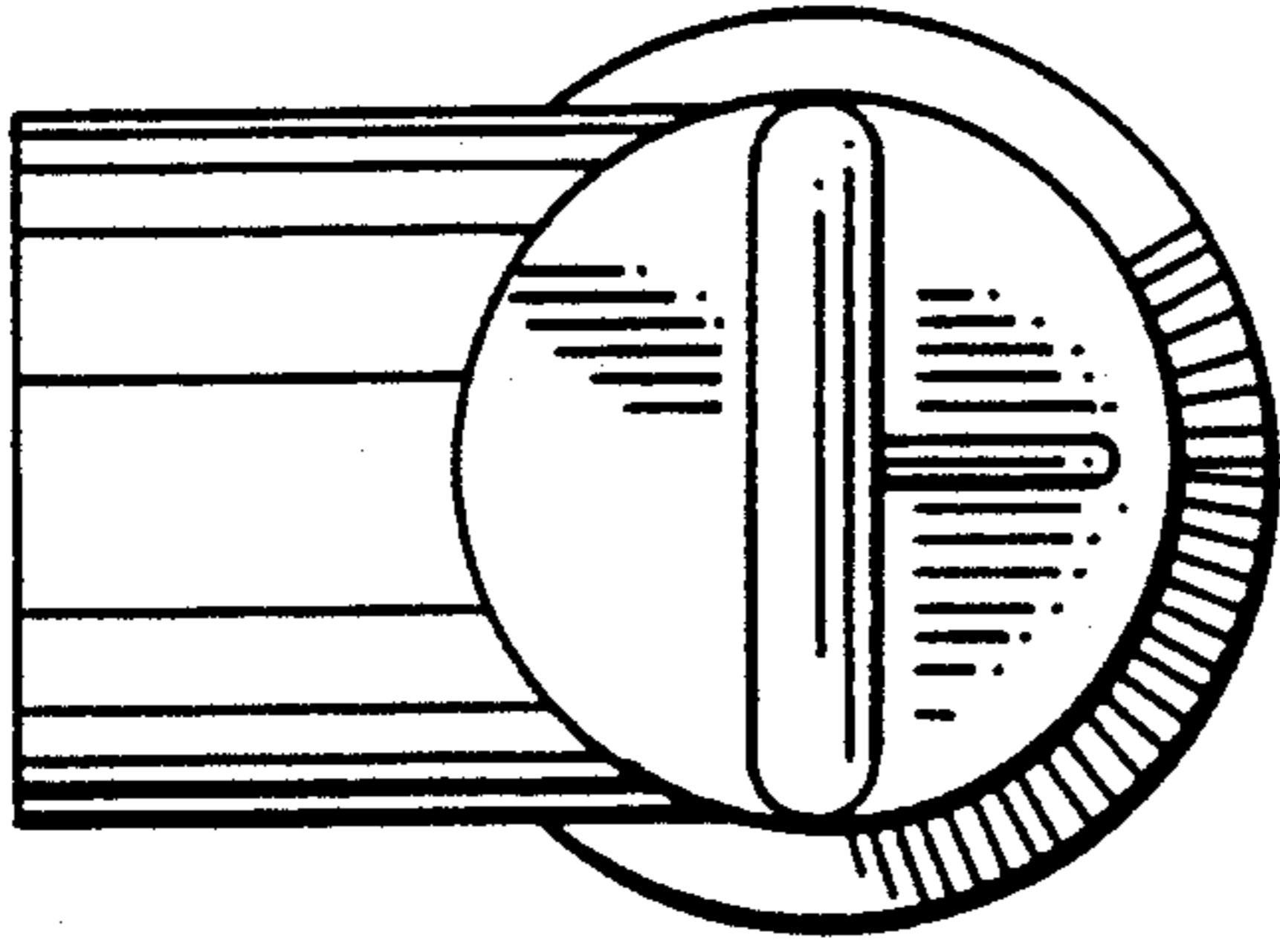


Fig. 5

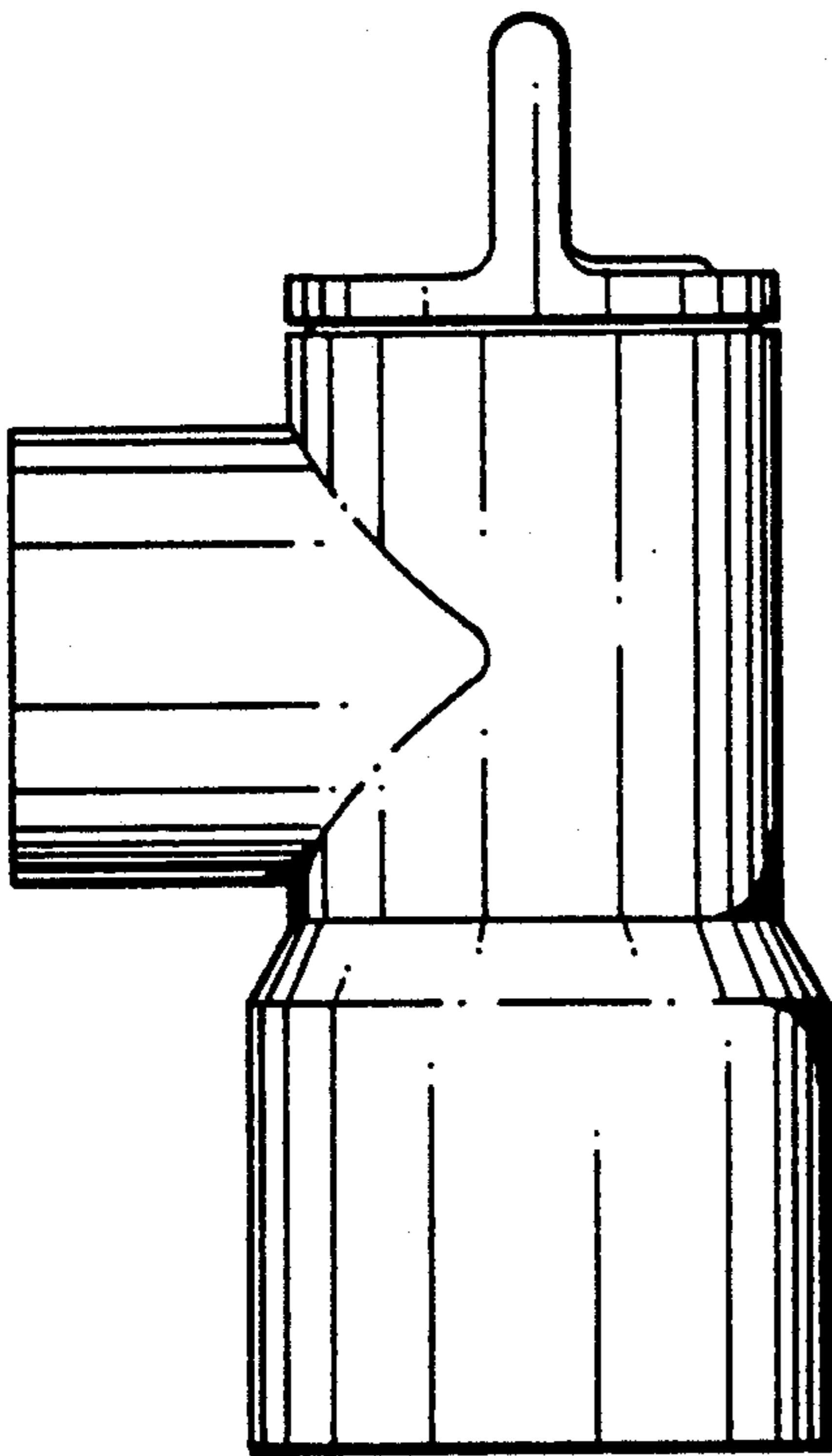


Fig. 2

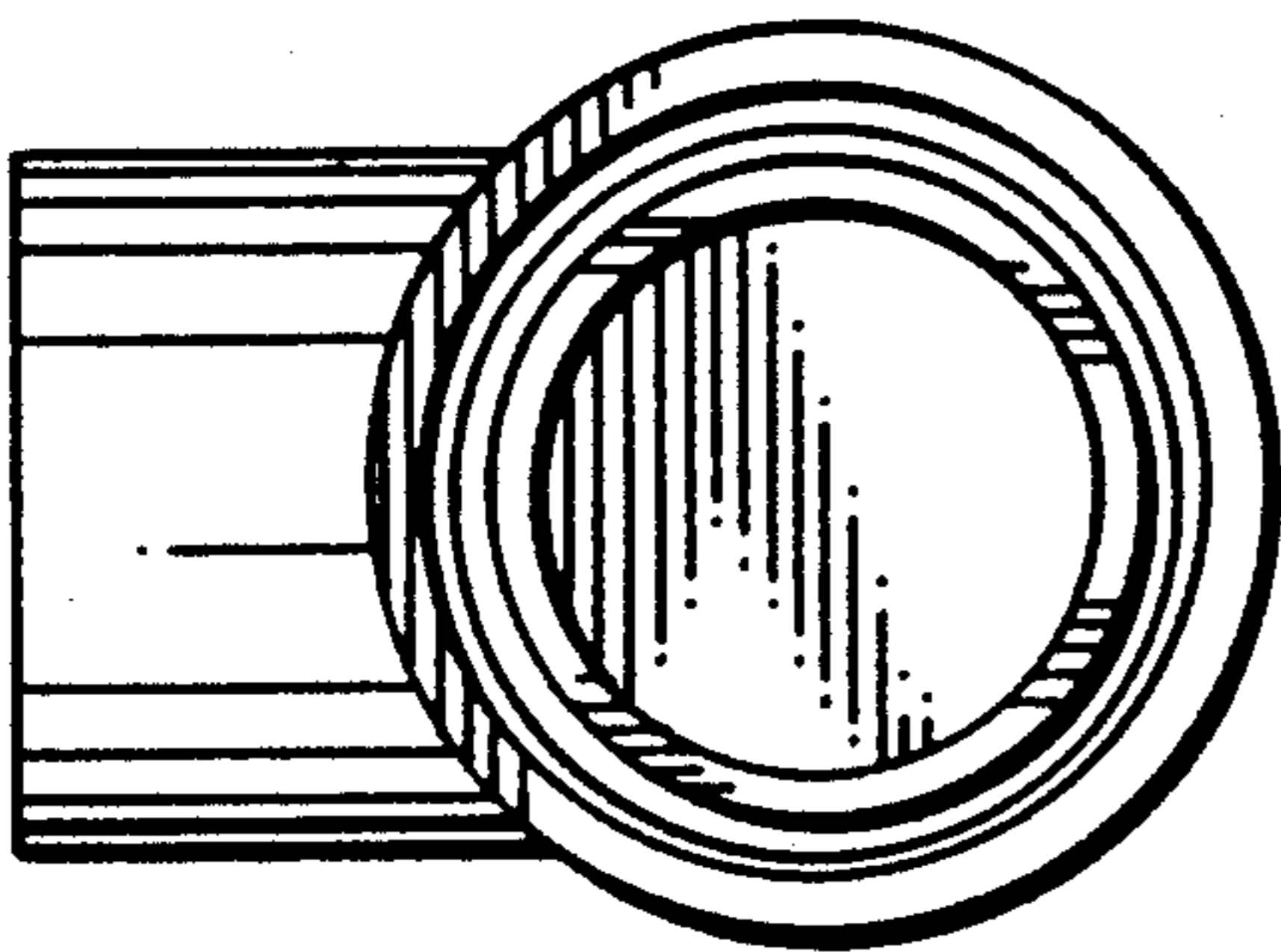


Fig. 6

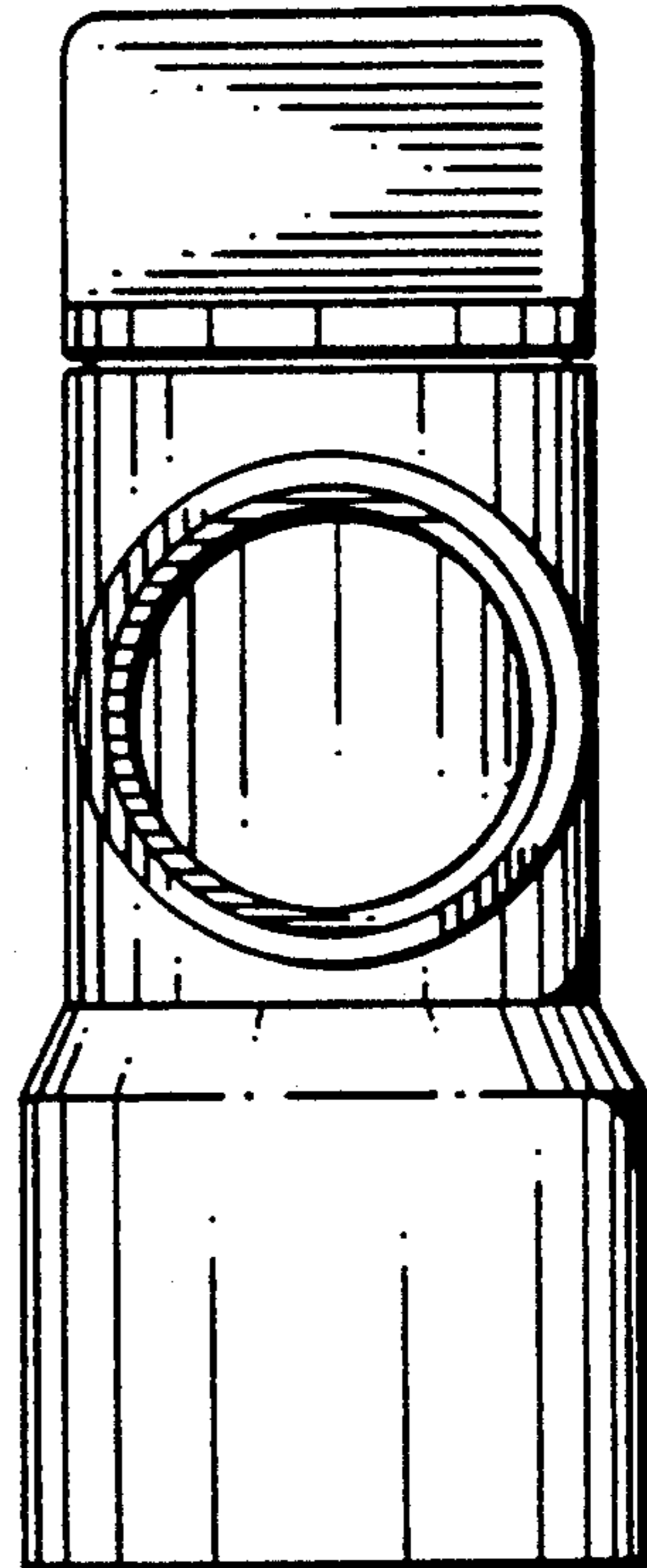


Fig. 3

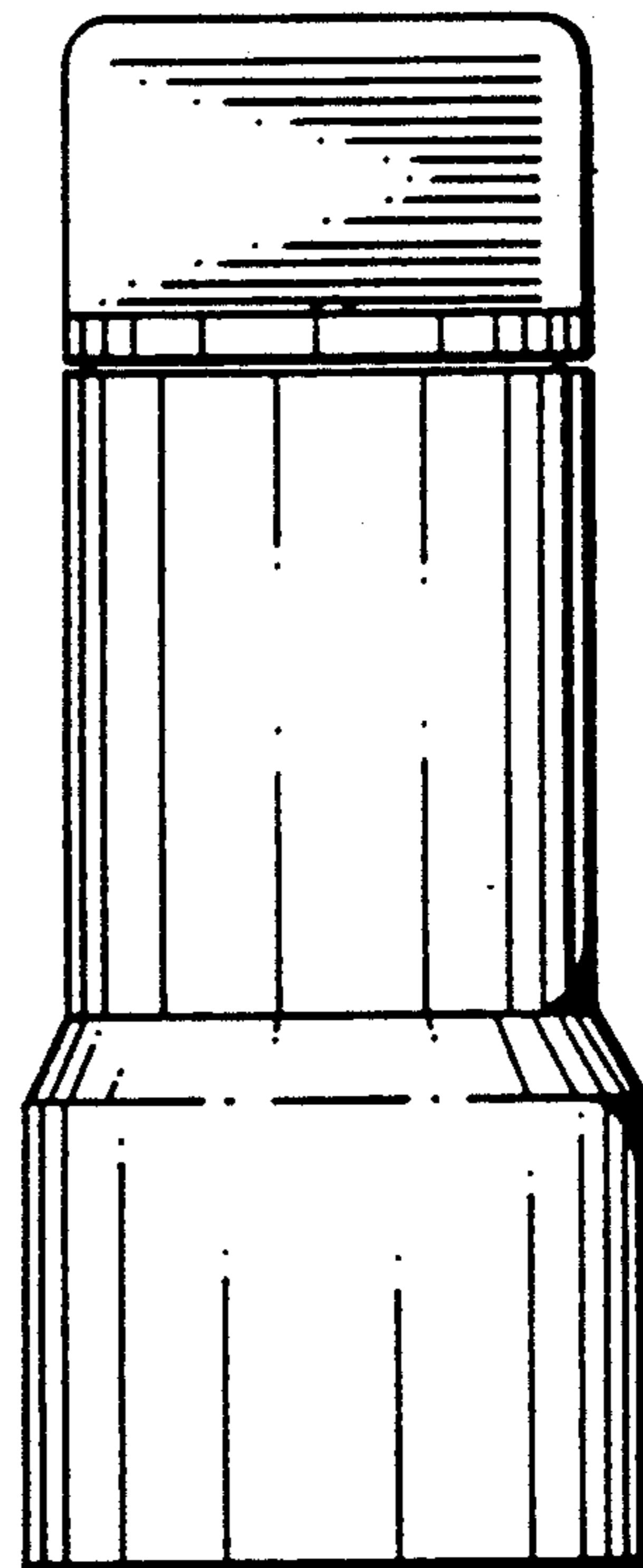


Fig. 4

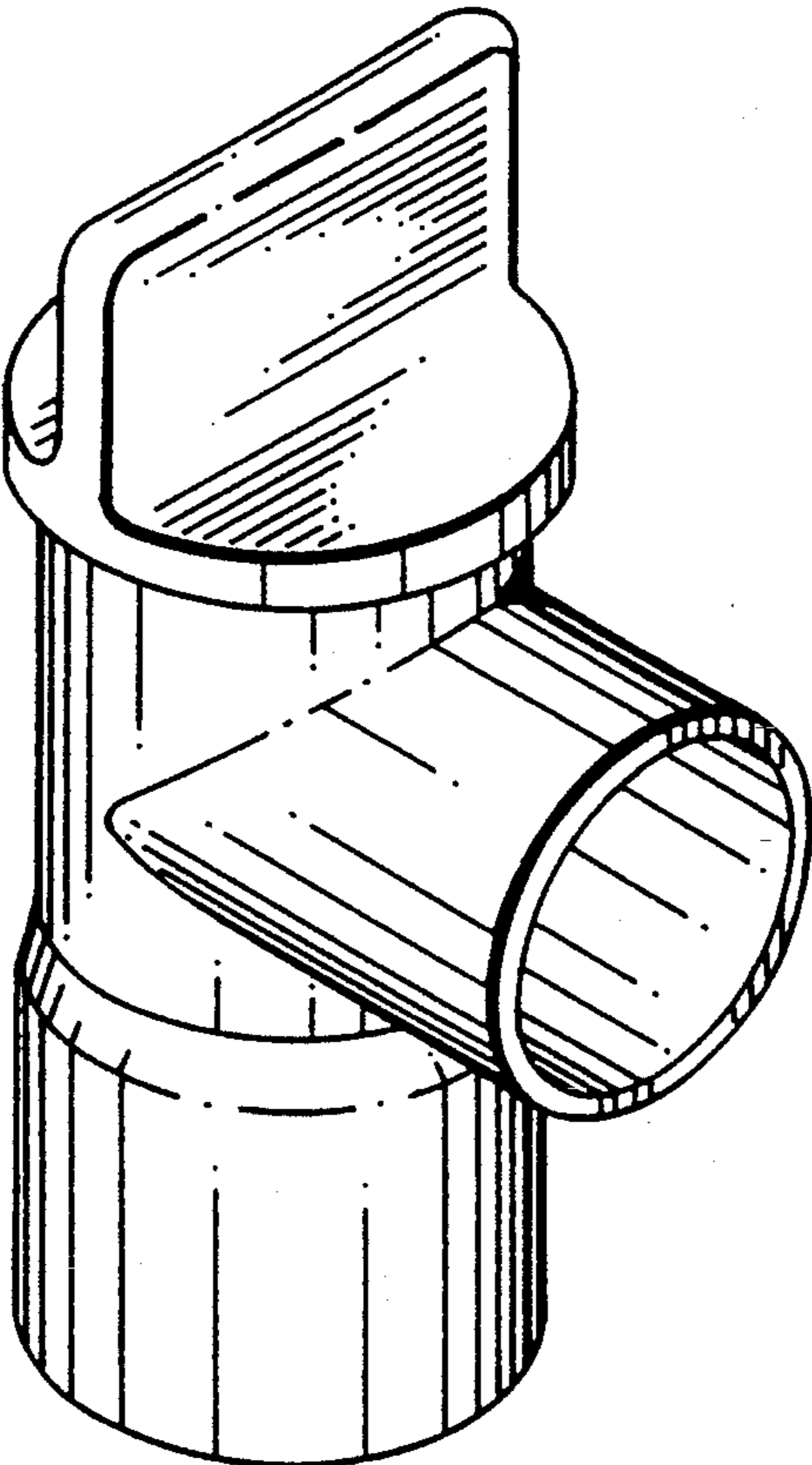
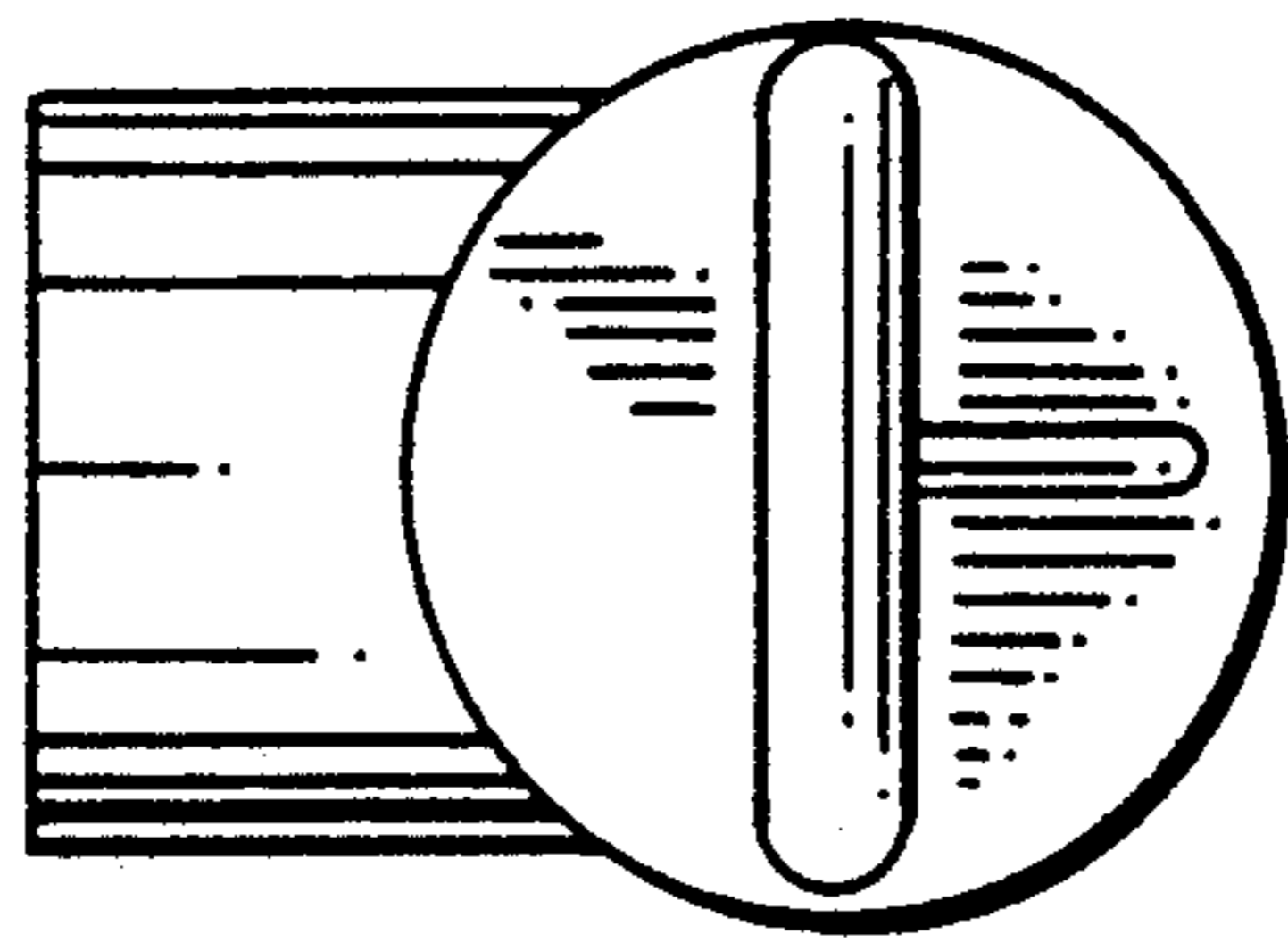
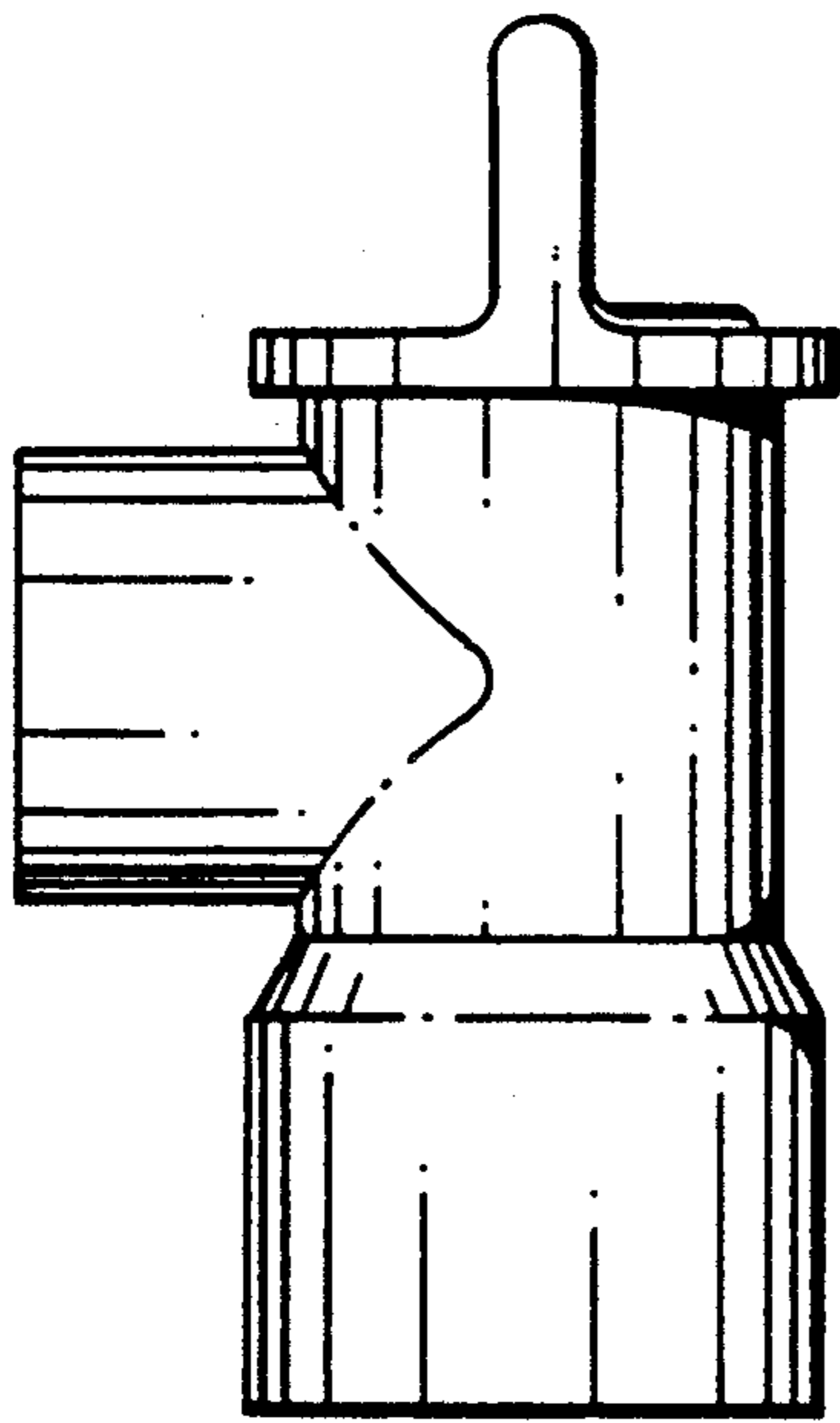


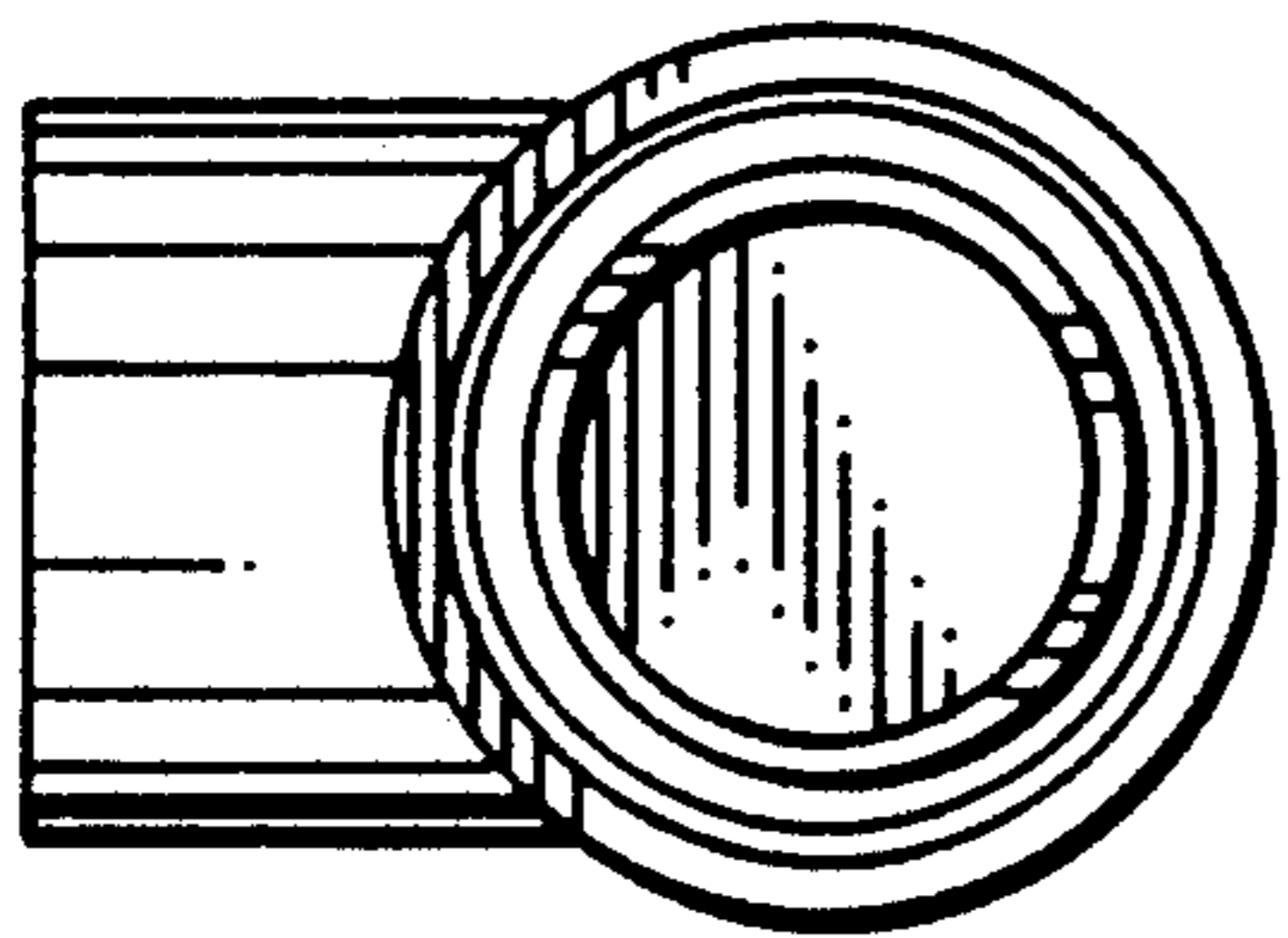
FIG. 1



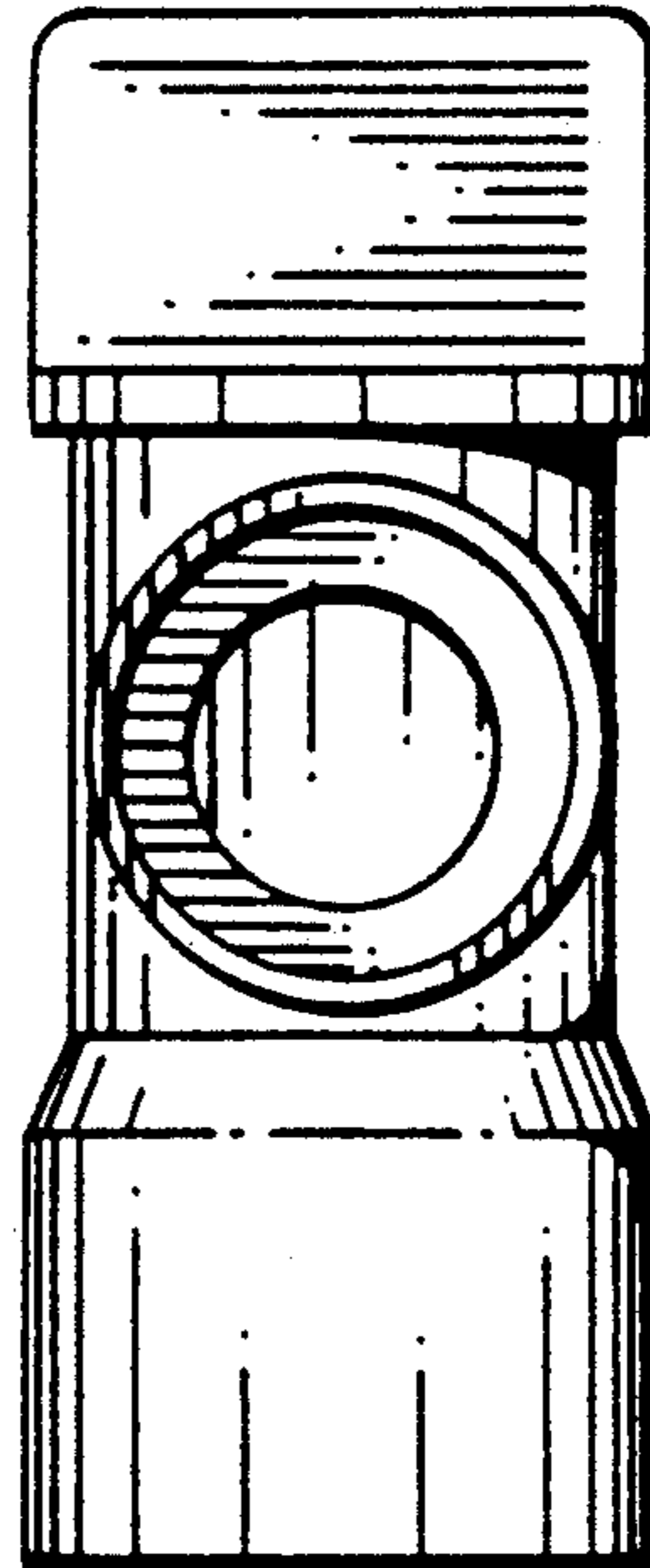
*Fig. 11*



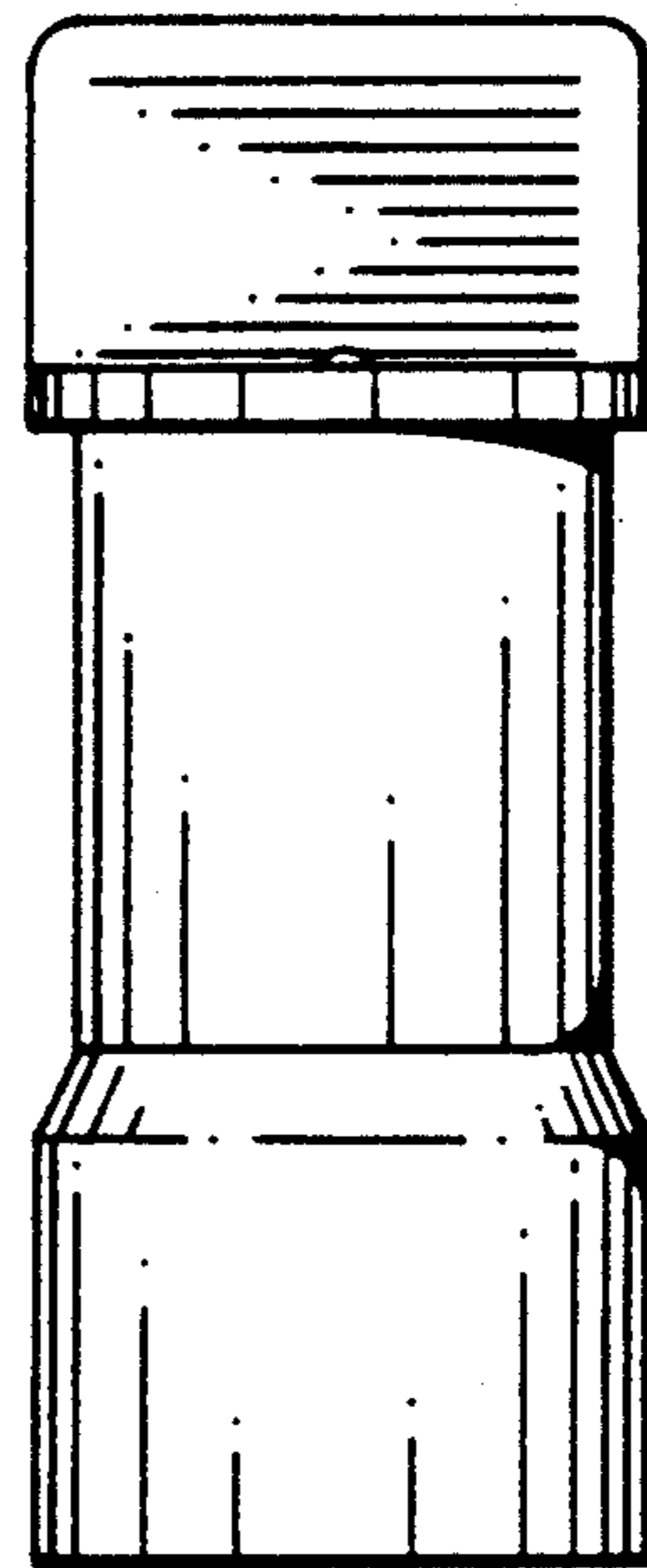
*Fig. 13*



*Fig. 12*



*Fig. 9*



*Fig. 10*