

[54] **COMBINED PRESSURE AND THERMAL SAFETY VALVE**
 [75] **Inventor: Gary D. Ingle, Mound, Minn.**
 [73] **Assignee: General Pump/U.S., Inc., Eagan, Minn.**
 [**] **Term: 14 Years**
 [21] **Appl. No.: 875,651**
 [22] **Filed: Jun. 16, 1988**
 [52] **U.S. Cl. D23/235**
 [58] **Field of Search D23/233, 235, 247, 244-249, D23/269; 137/72, 74, 454.4, 454.2**

3,368,581 2/1968 Glover, Jr. 137/72 X
 3,490,473 1/1970 Ehrens et al. 137/74
 3,556,470 1/1971 Ehrens et al. 137/74 X

OTHER PUBLICATIONS

A sales brochure of Hydro Systems Company, 3798 Round Bottom Road, Cincinnati, Ohio, 45244, Description: A pressure relief valve characterized by the "Pump Guard ®" trademark, printed in 1984.

Primary Examiner—James R. Largen
Attorney, Agent, or Firm—Merchant, Gould, Smith, Edell, Welter & Schmidt

[57] **CLAIM**

The ornamental design for a combined pressure and thermal safety valve, as shown and described.

DESCRIPTION

FIG. 1 is a perspective view taken from the front and side of a combined pressure and thermal safety valve showing my new design;
 FIG. 2 is a side elevational view thereof, the opposite side being a mirror image of the side shown;
 FIG. 3 is a side elevational view taken 90° to the side shown in FIG. 2, the opposite side being a mirror image of the side shown;
 FIG. 4 is a front elevational view thereof; and
 FIG. 5 is a rear elevational view thereof.

[56] **References Cited**

U.S. PATENT DOCUMENTS

D. 96,691	8/1935	Nelson	D23/247
D. 226,431	3/1973	Emburg, Jr.	D23/235
D. 233,569	11/1974	Miller	D23/235 X
D. 237,360	8/1974	Watts	D23/235
D. 242,709	12/1976	Schourup	D23/235
D. 242,710	12/1976	Schourup	D23/235
D. 260,280	8/1981	Compbell	D23/237
1,557,250	10/1925	Grandfield	137/72 X
2,036,391	4/1936	Bradley	137/74 X
2,722,232	11/1955	Roche, Sr.	D23/237 X
3,139,103	6/1964	Bottum	137/72

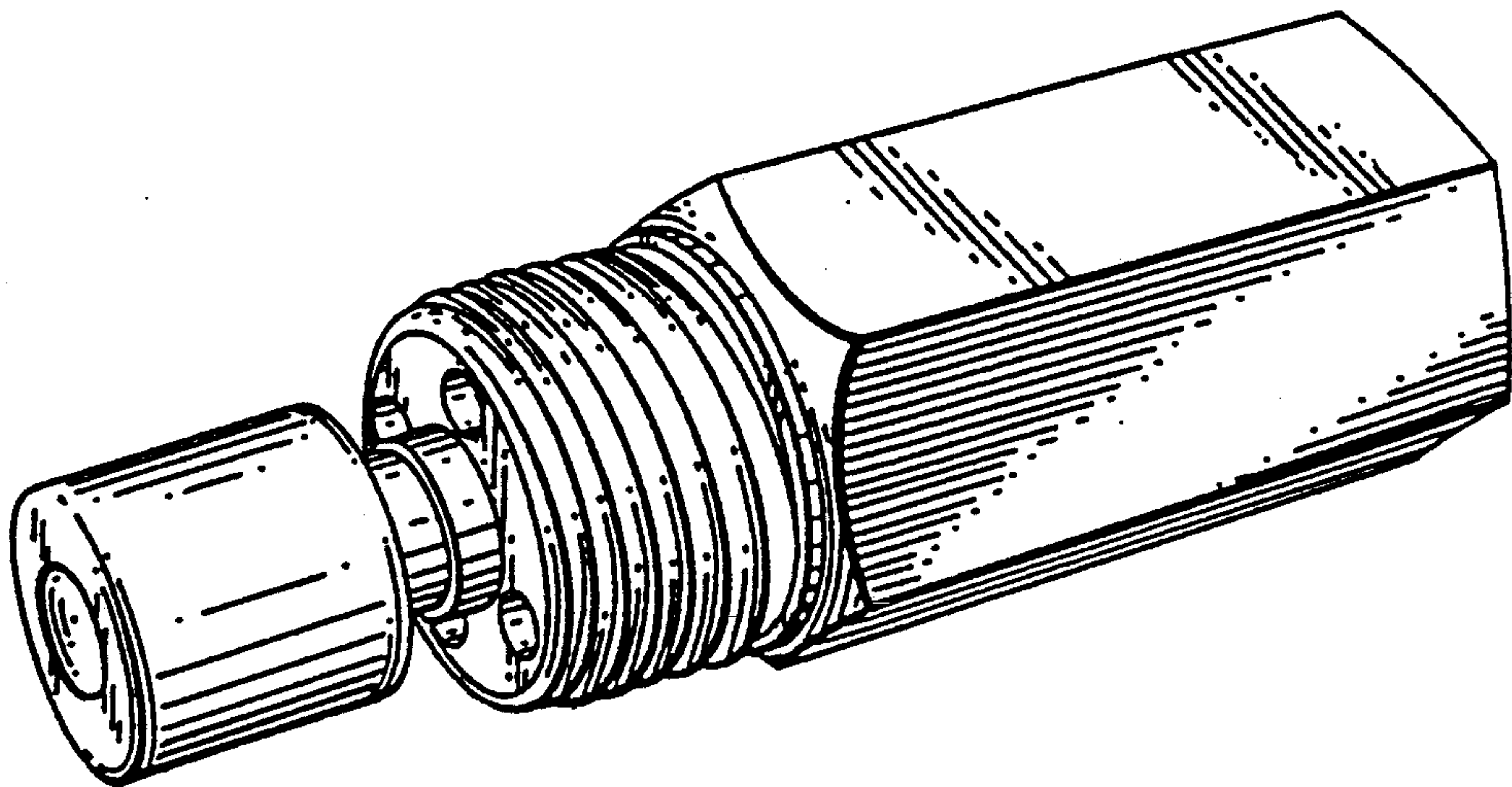


FIG. 1

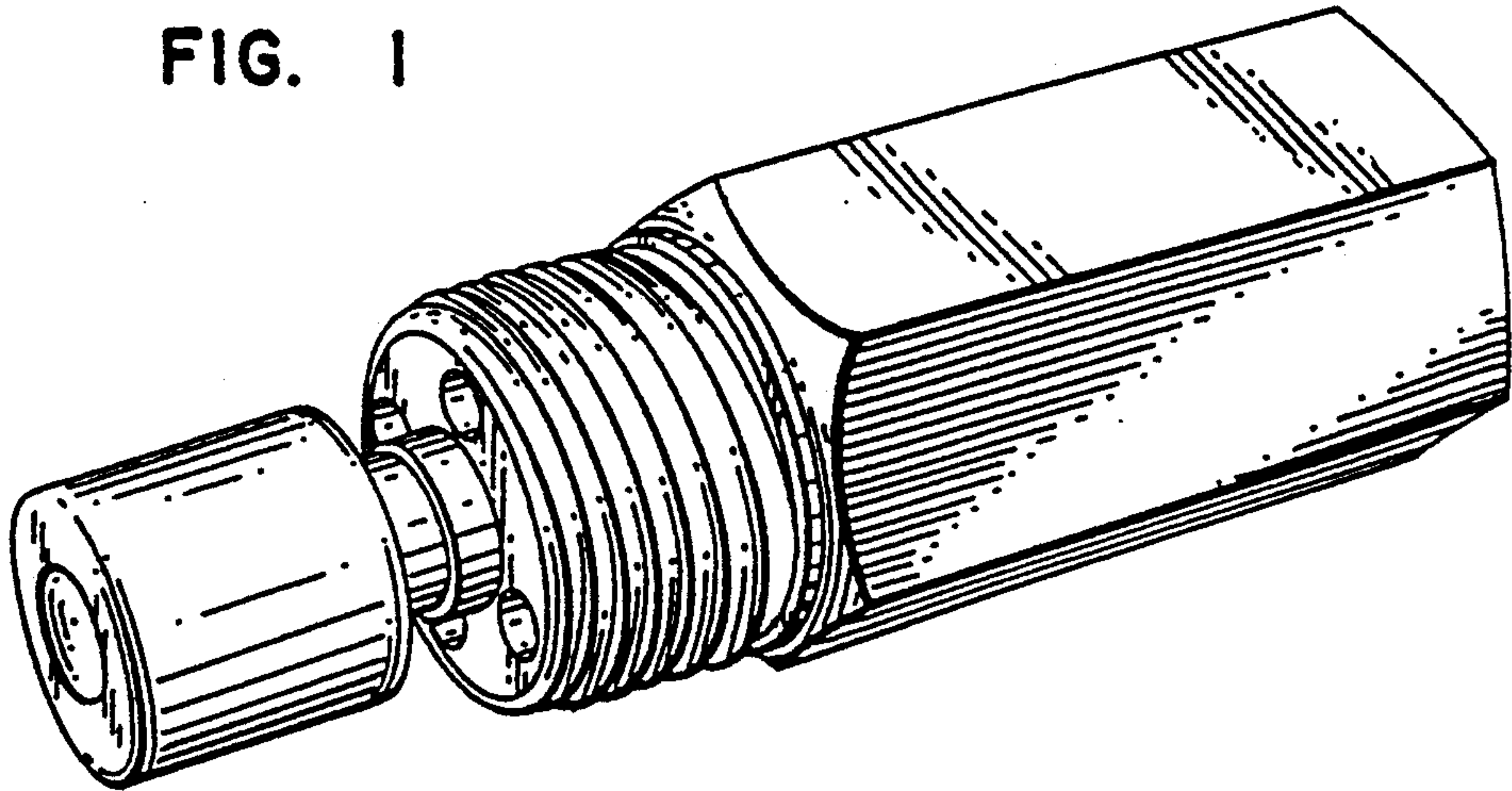


FIG. 2

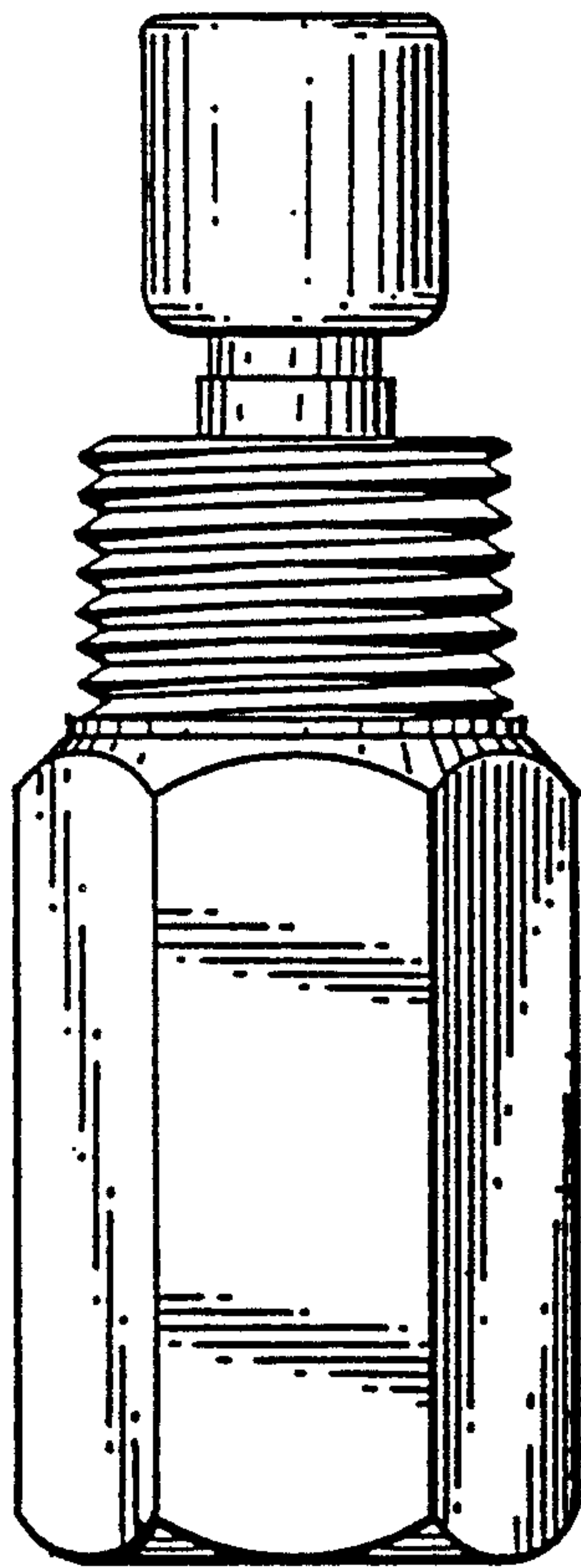


FIG. 3

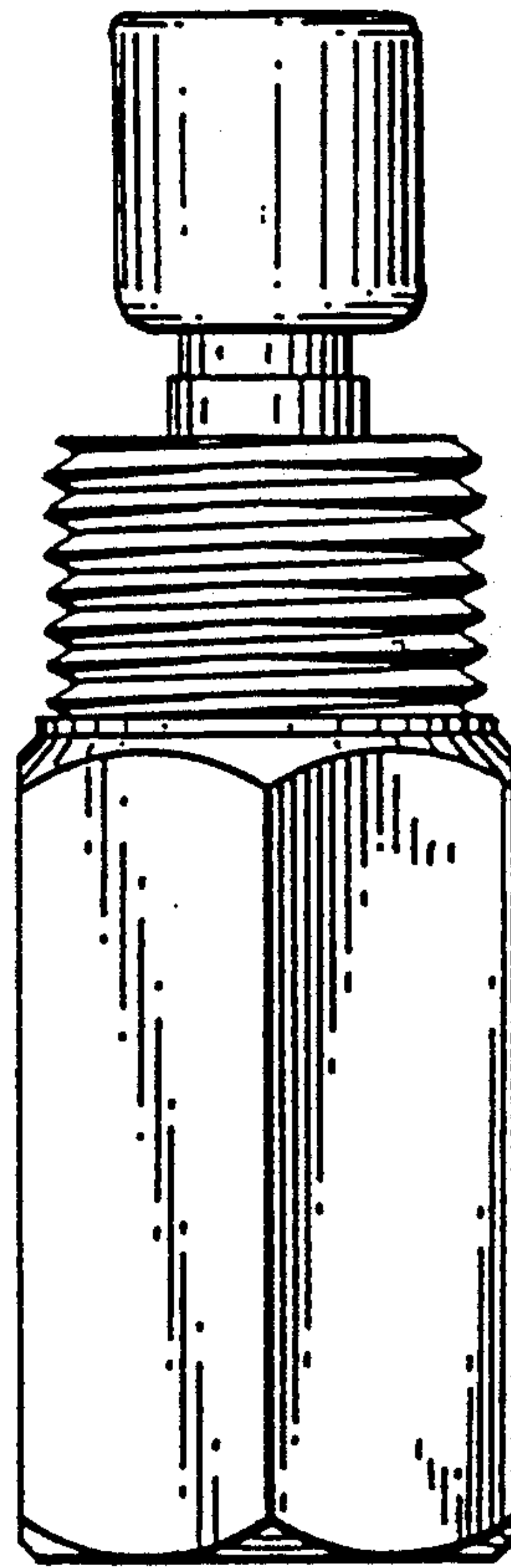


FIG. 4

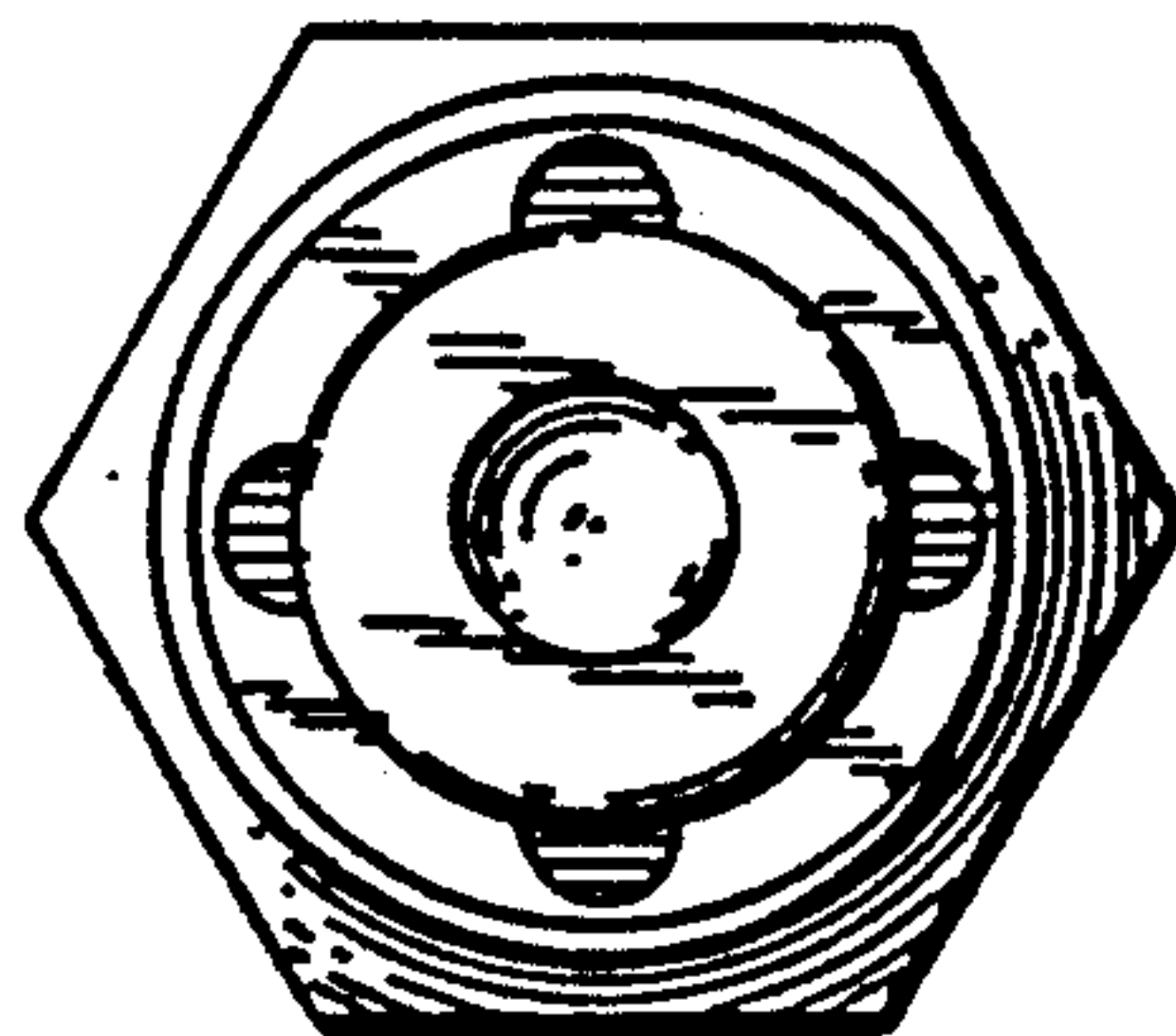
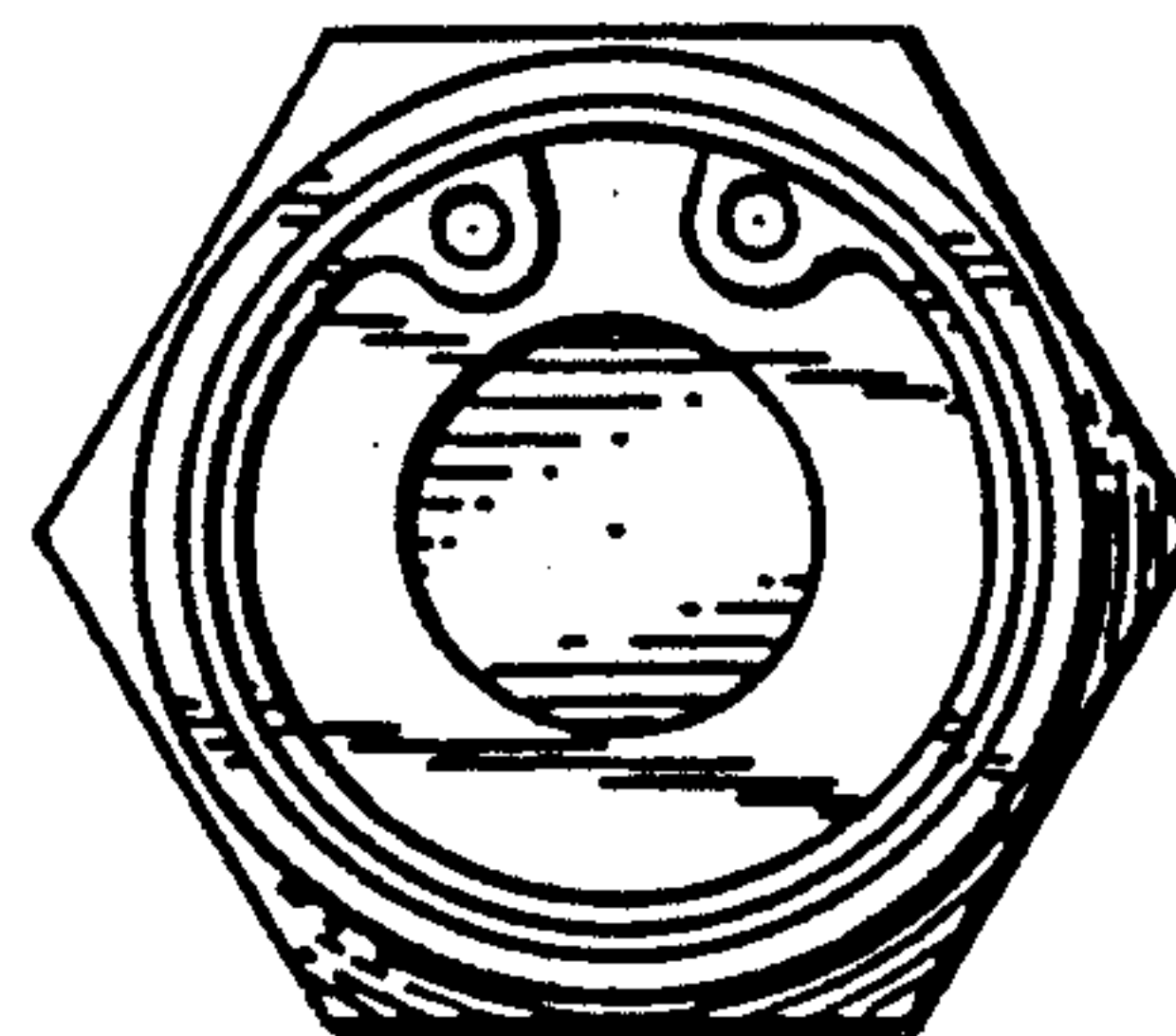


FIG. 5



UNITED STATES PATENT AND TRADEMARK OFFICE
CERTIFICATE OF CORRECTION

PATENT NO. : Des. 321,241
DATED : October 29, 1991
INVENTOR(S) : Gary D. Ingle

It is certified that error appears in the above-identified patent and that said Letters Patent is hereby corrected as shown below:

On the title page, item [22] Filed:
please delete the filing date of "Jun. 16, 1988" and substitute
therefore--June 16, 1986--.

**Signed and Sealed this
Second Day of March, 1993**

Attest:

Attesting Officer

STEPHEN G. KUNIN

Acting Commissioner of Patents and Trademarks