

[54] WATER DRIPPER

[75] Inventor: Franco Clivio, Zürich, Switzerland

[73] Assignee: Gardena Kress + Kastner GmbH,
Fed. Rep. of Germany

[**] Term: 14 Years

[21] Appl. No.: 397,569

[22] Filed: Aug. 23, 1989

[52] U.S. Cl. D23/213

[58] Field of Search D23/200, 211, 213-221;
239/145; 47/1.5, 59, 62, 63, 64, 79, 86

[56] References Cited

U.S. PATENT DOCUMENTS

2,855,725	10/1958	Carothers	47/64 X
3,108,400	10/1963	Wolfe, Jr.	47/79 X
4,060,934	12/1977	Skaggs	47/79
4,092,803	6/1978	Naylor	47/62
4,550,526	11/1985	Smucker	47/1.5

OTHER PUBLICATIONS

Gardena In Line Driphead Item 1343.
Advertising brochure, p. 22, of Lego, M. Lemelshtrich
Netania, P.O.B. 6083, Israel.

Advertising brochure, p. 33, of Gardena, Kress & Kast-
ner, GmbH, Lichternseestrasse 40, D-7900 Ulm, Ger-
many.

Primary Examiner—Susan J. Lucas

Assistant Examiner—M. H. Tung

Attorney, Agent, or Firm—Eckert Seamans Cherin &
Mellott

[57] CLAIM

The ornamental design for a water dripper, as shown
and described.

DESCRIPTION

FIG. 1 is a side perspective view of a water dripper
showing my new design;

FIG. 2 is a top plan view thereof;

FIG. 3 is a front elevational view thereof;

FIG. 4 is a side elevational view thereof;

FIG. 5 is a rear elevational view thereof;

FIG. 6 is an opposite side elevational view thereof; and

FIG. 7 is a top plan view thereof.

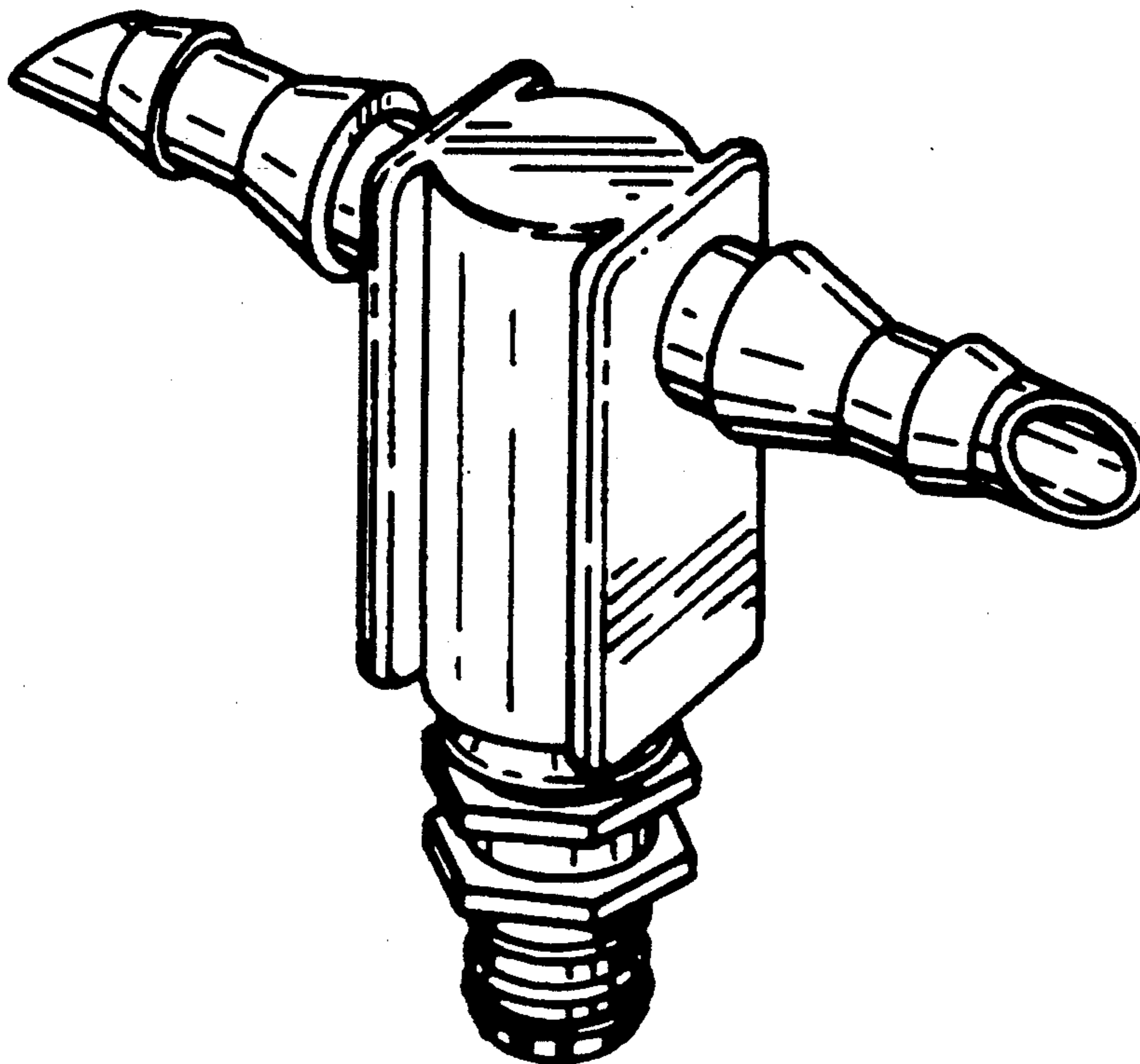


FIG. 1

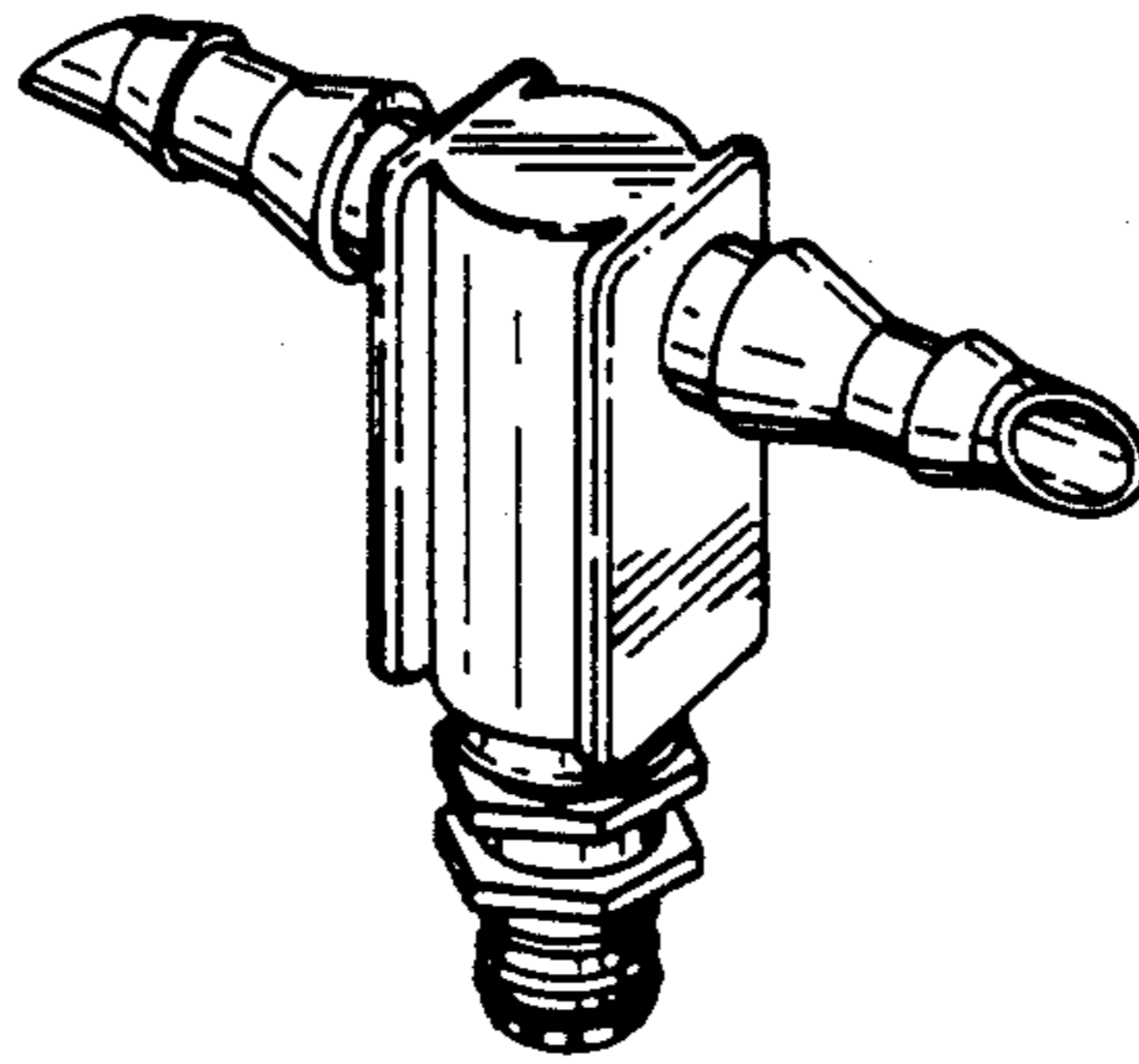


FIG. 2

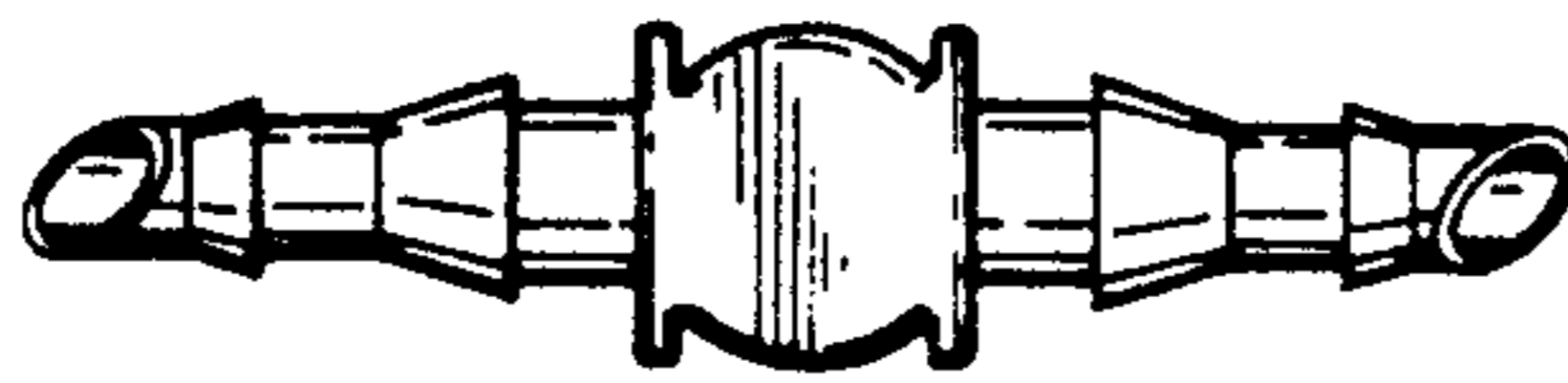


FIG. 3



FIG. 4

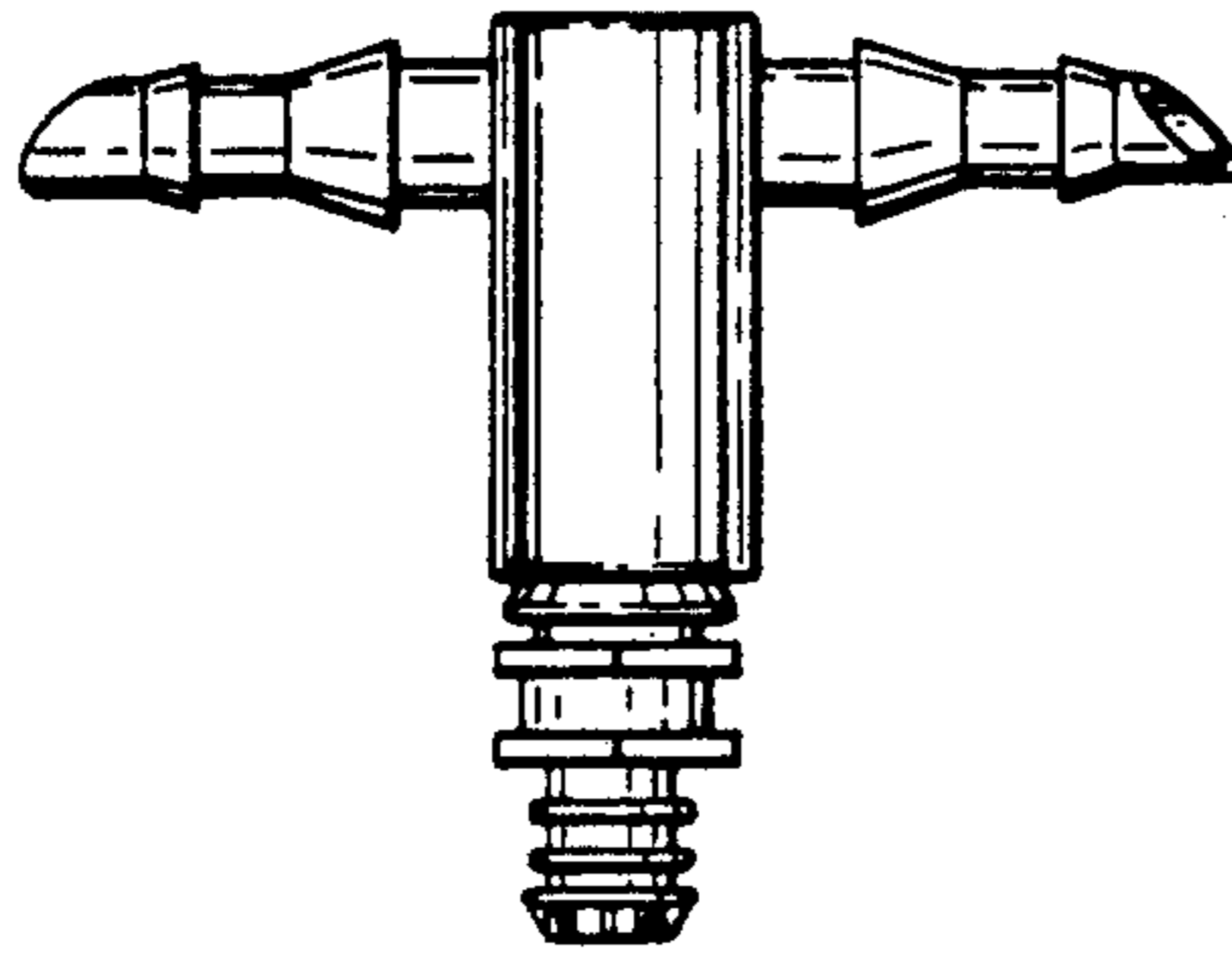


FIG. 5



FIG. 6

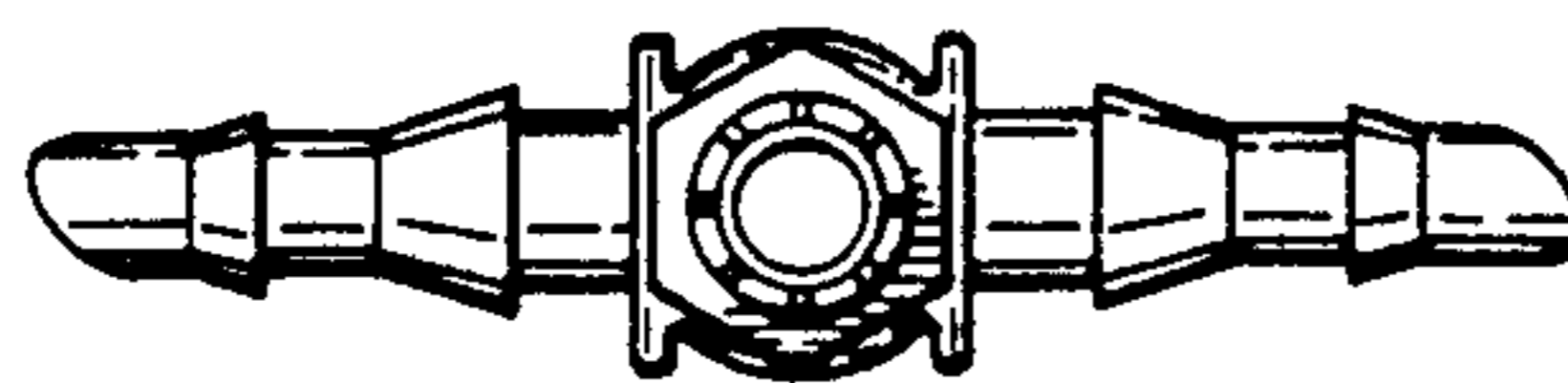
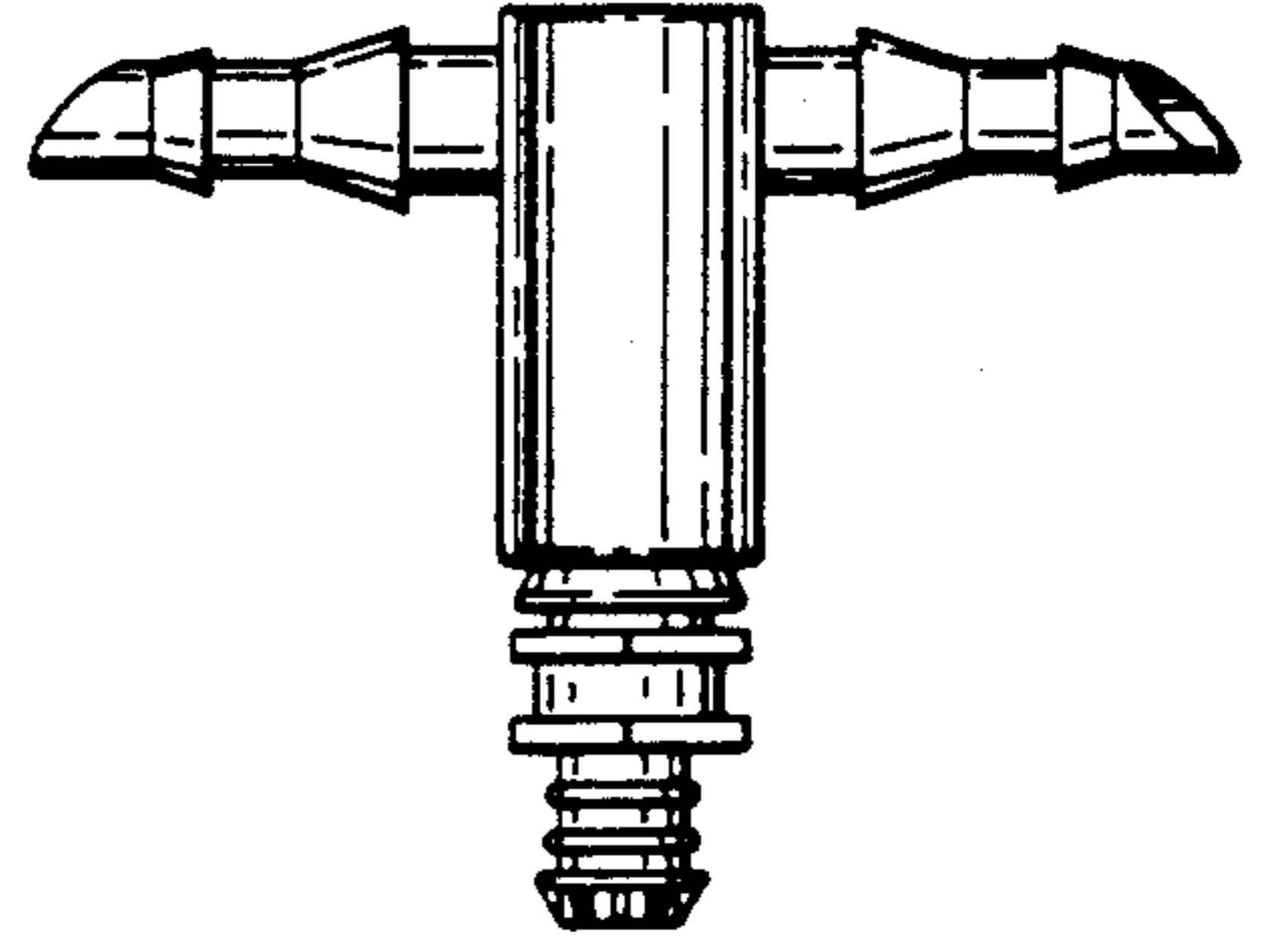


FIG. 7