

[54] SPREADER BAR FOR A WIND SURFING HARNESS

[76] Inventor: Gerhard Fildan, Dr.Körner-Str. 64, A-2521 Trumau NÖ, Austria

[**] Term: 14 Years

[21] Appl. No.: 315,694

[22] Filed: Feb. 24, 1989

[52] U.S. Cl. D21/230; D29/11

[58] Field of Search D21/236, 230, 228, 238; 114/39.2; 182/3; D29/6, 10, 11

[56] References Cited

U.S. PATENT DOCUMENTS

4,630,563 12/1986 Pertramer 114/39.2
4,934,297 6/1990 Long 114/39.2

FOREIGN PATENT DOCUMENTS

3604805 8/1987 Fed. Rep. of Germany 114/39.2
2543911 10/1984 France 114/39.2

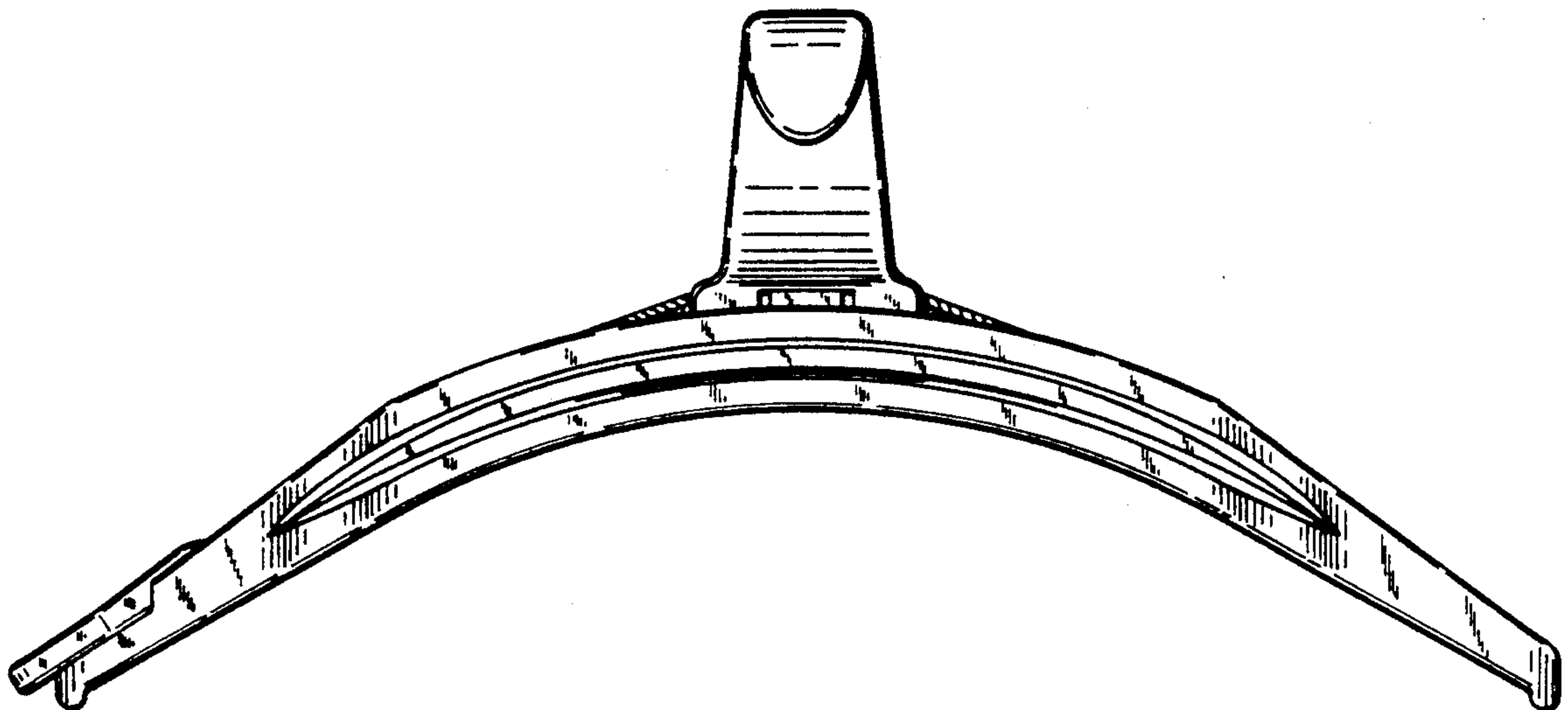
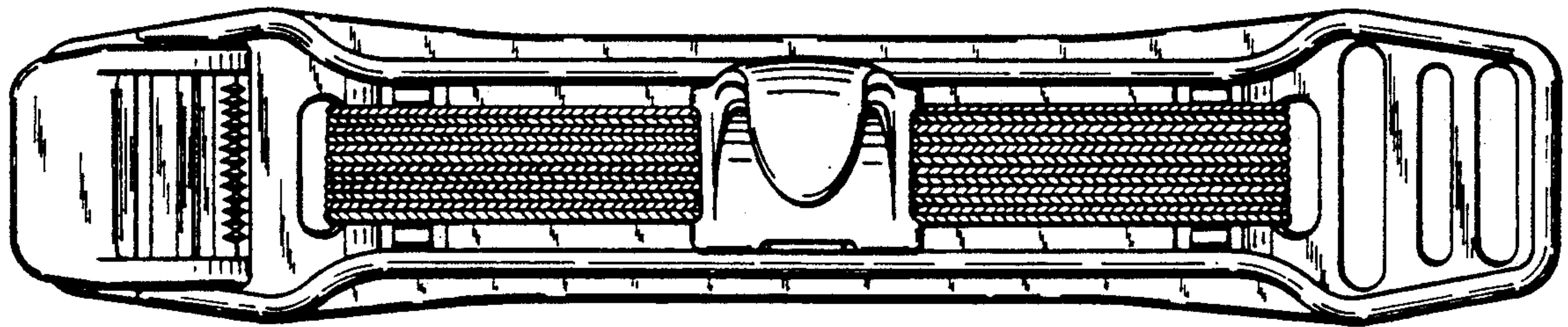
Primary Examiner—Kay H. Chin
Attorney, Agent, or Firm—Herbert Dubno

[57] CLAIM

The ornamental design for a spreader bar for a wind surfing harness, as shown.

DESCRIPTION

FIG. 1 is a front elevational view of a spreader bar for a wind surfing harness showing my new design; FIG. 2 is a rear elevational view thereof; FIG. 3 is a right-side elevational view thereof; FIG. 4 is a left-side elevational view thereof; FIG. 5 is a top plan view thereof; and FIG. 6 is a bottom plan view thereof.



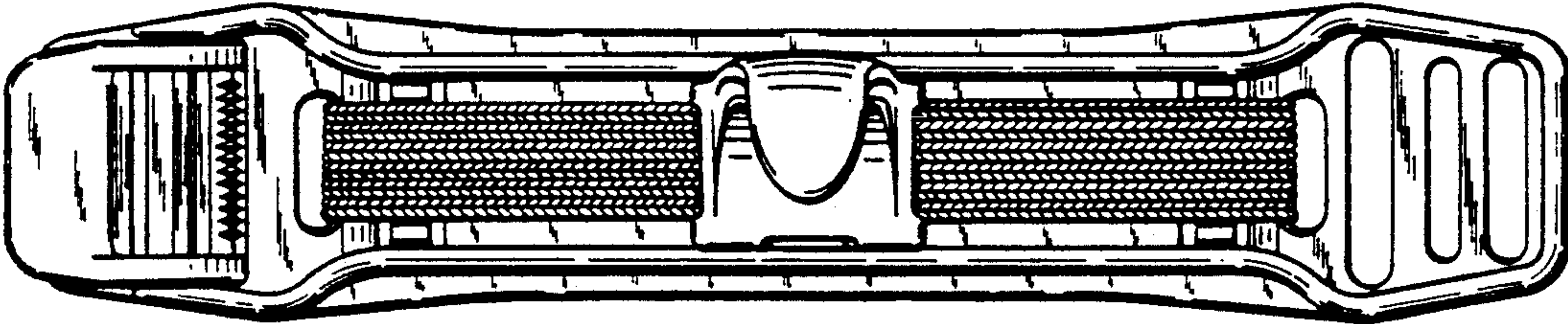


FIG. 1

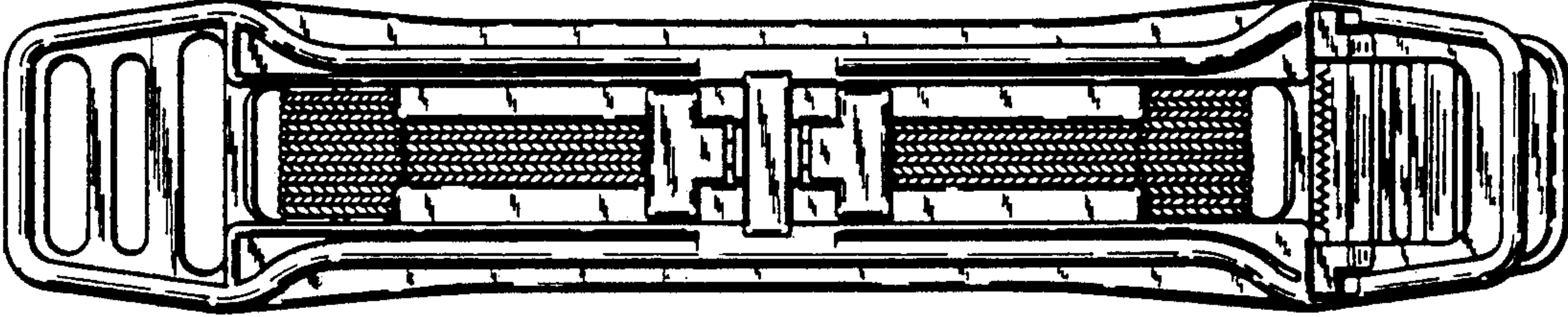


FIG. 2

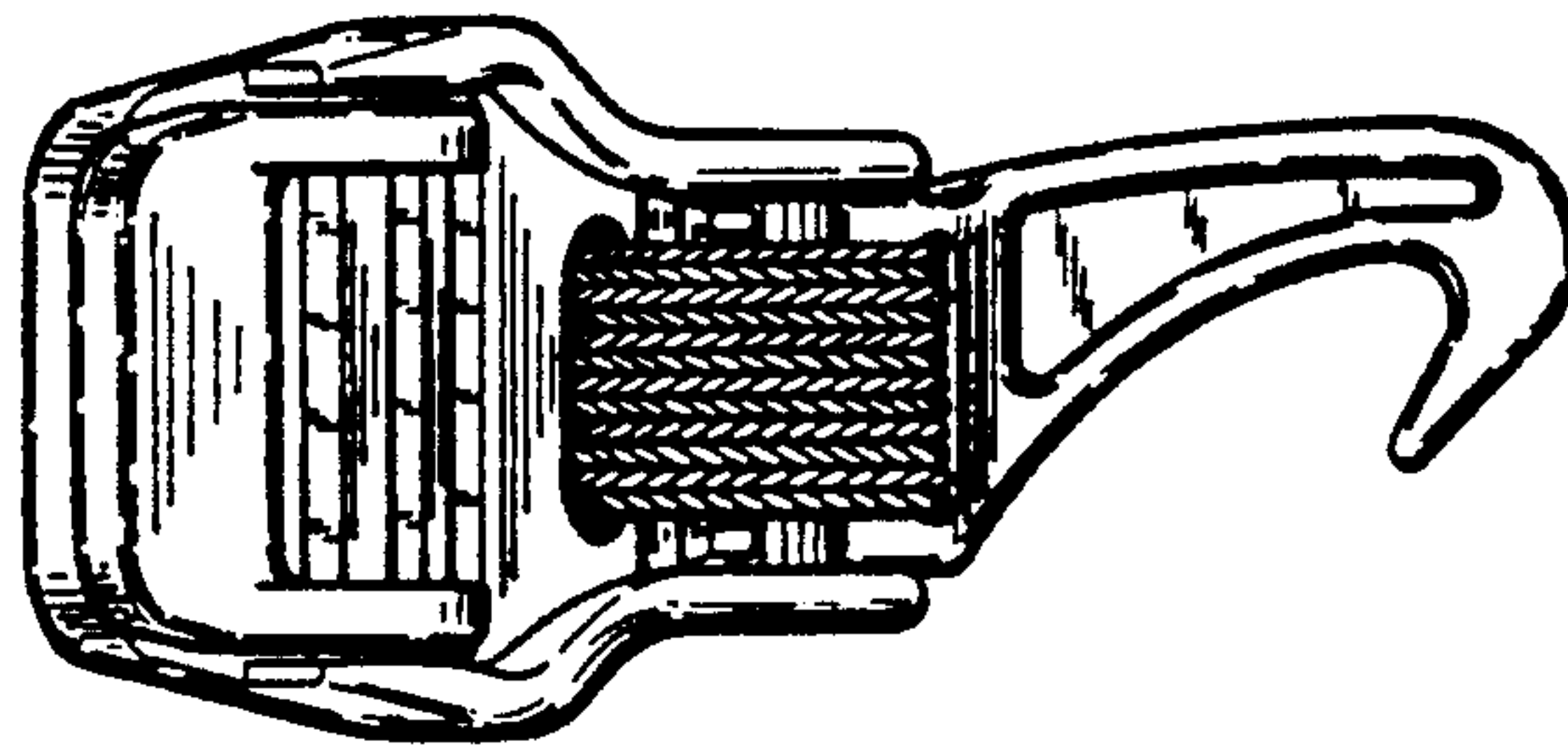


FIG. 4

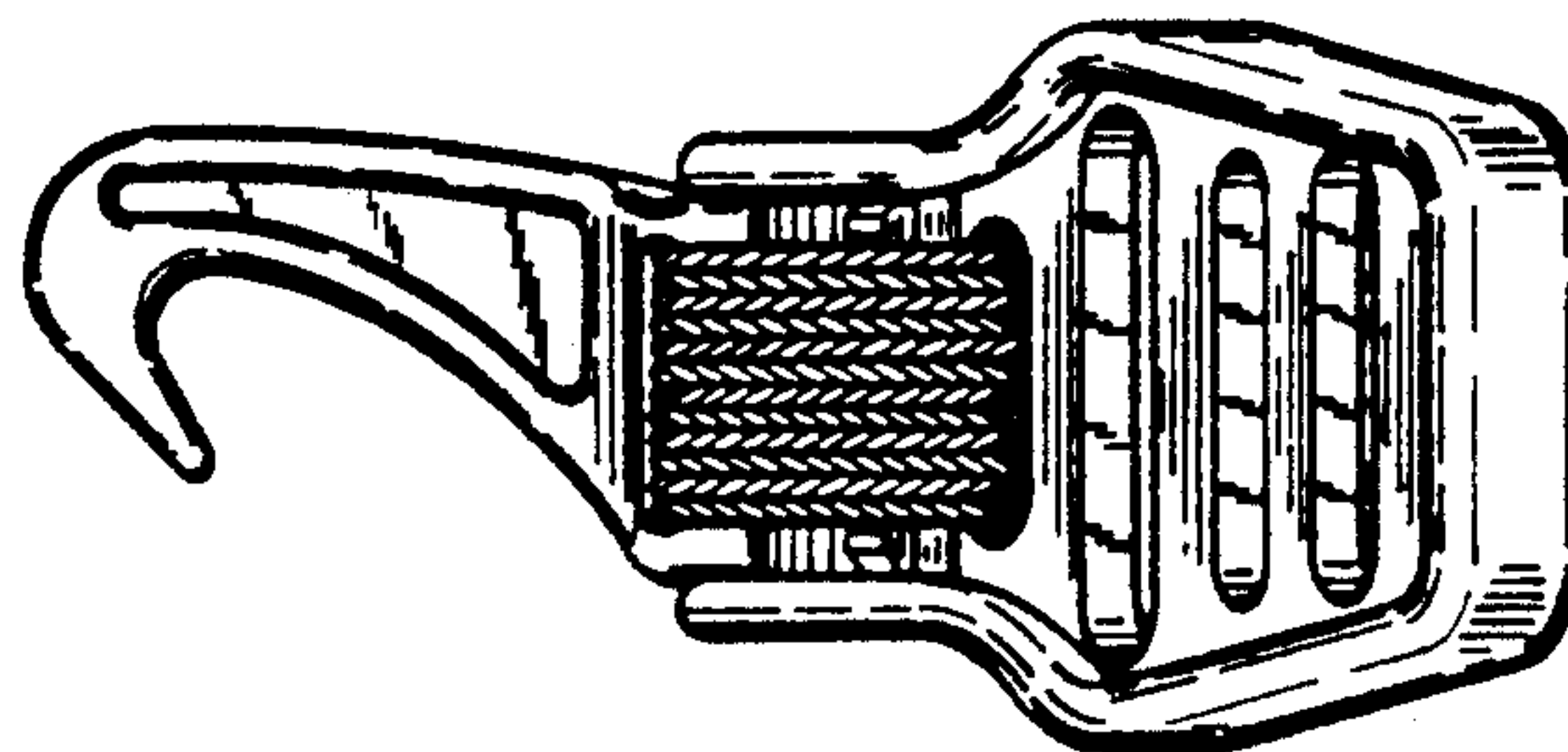


FIG. 3

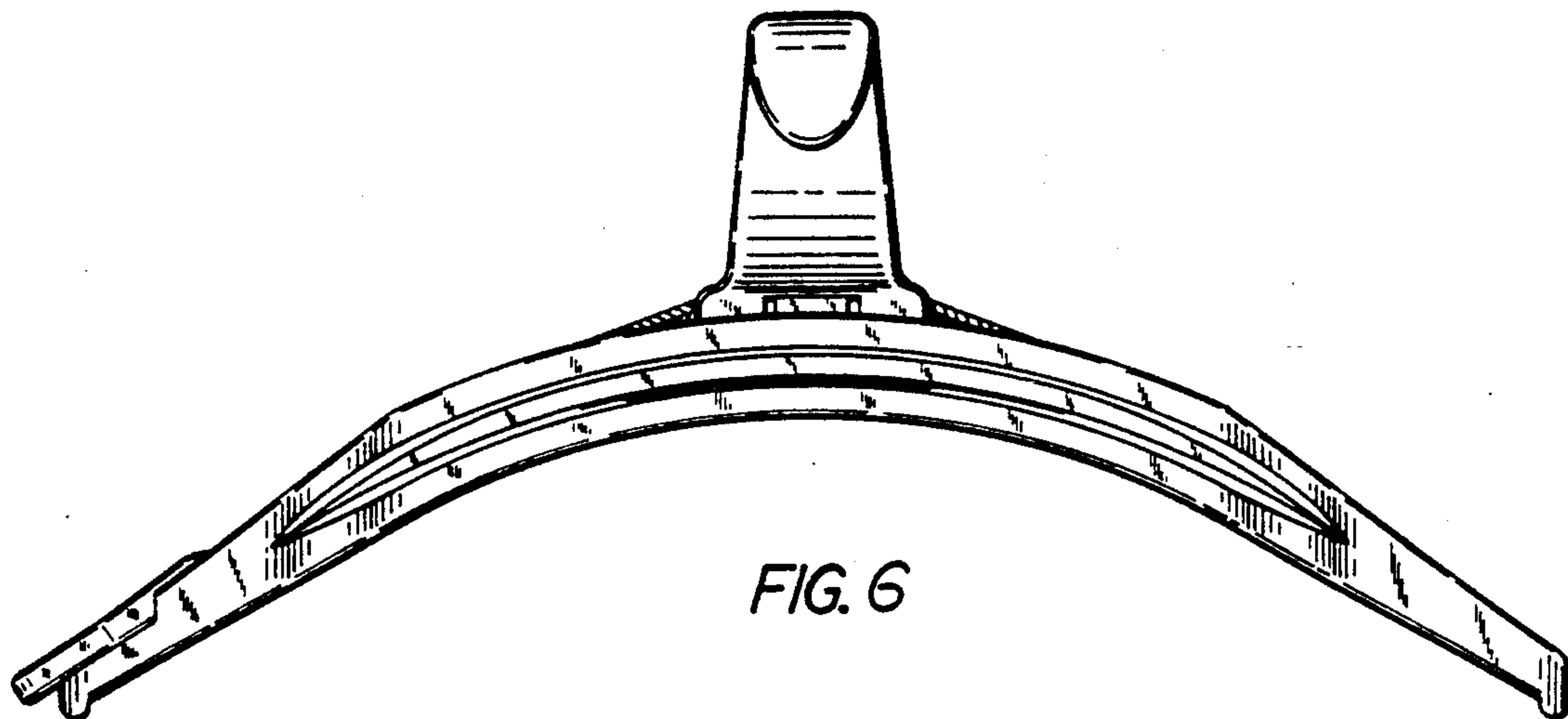


FIG. 6

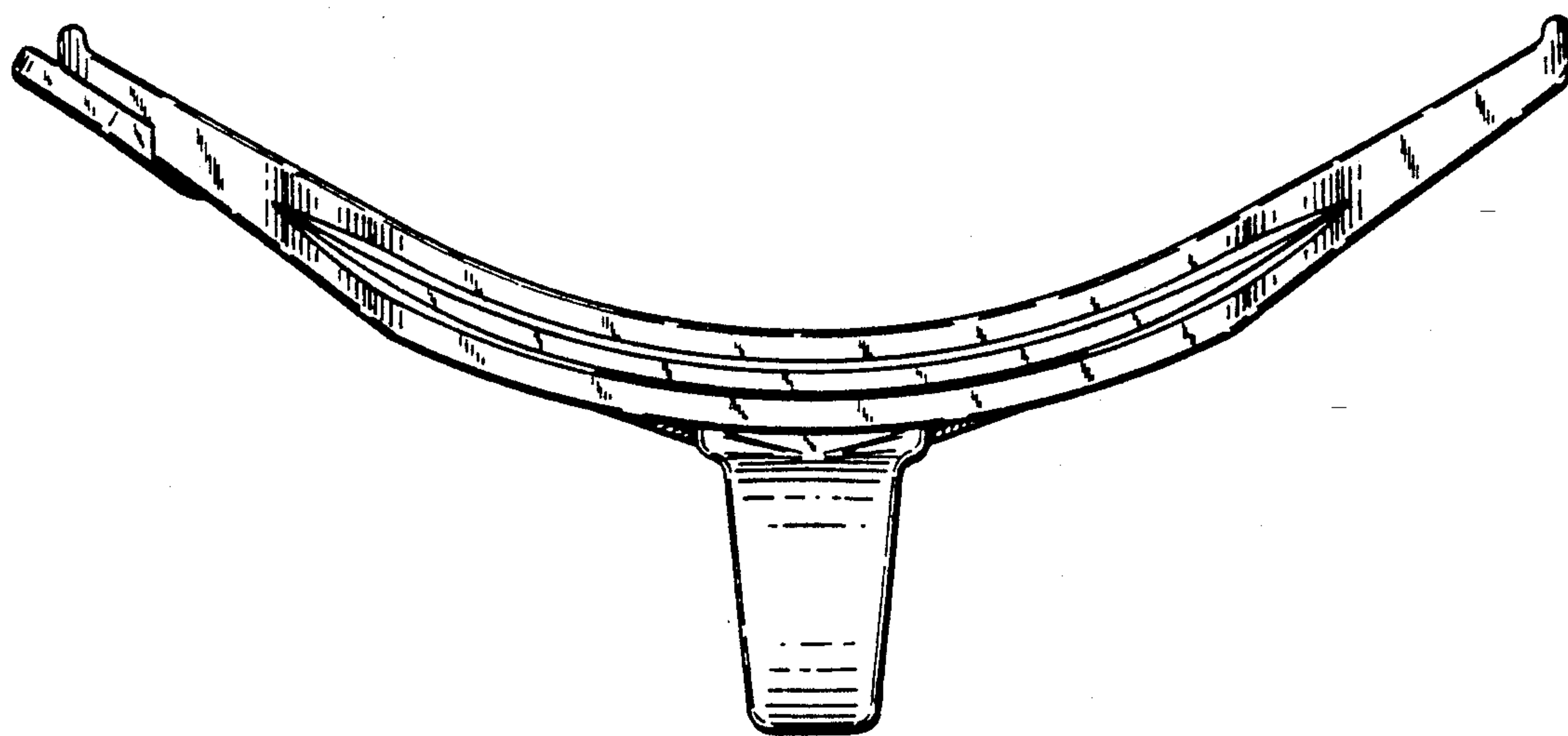


FIG. 5