

[54] **PUTTER GOLF CLUB HEAD**

[76] **Inventor: Anthony J. Antonious, 205 E. Joppa Rd., Towson, Md. 21204**

[**] **Term: 14 Years**

[21] **Appl. No.: 317,805**

[22] **Filed: Mar. 2, 1989**

[52] **U.S. Cl. D21/217**

[58] **Field of Search D21/214-220;
273/164, 167-175**

[56] **References Cited**

U.S. PATENT DOCUMENTS

D. 202,715	11/1965	Solheim	D21/219
D. 207,228	3/1967	Solheim	D21/219
4,655,459	4/1987	Antonious	D21/219

*Primary Examiner—Melvin B. Feifer
Attorney, Agent, or Firm—N. J. Aquilino*

[57] **CLAIM**

The ornamental design for a putter golf club head, as shown and described.

DESCRIPTION

FIG. 1 is a front elevational view of the golf club head showing my new design;

FIG. 2 is an end elevational view thereof;

FIG. 3 is a rear elevational view thereof;

FIG. 4 is an end elevational view taken from the opposite side of FIG. 2;

FIG. 5 is a top plan view thereof;

FIG. 6 is a bottom view thereof;

FIG. 7 is a sectional view taken along the lines 7—7 of FIG. 3.

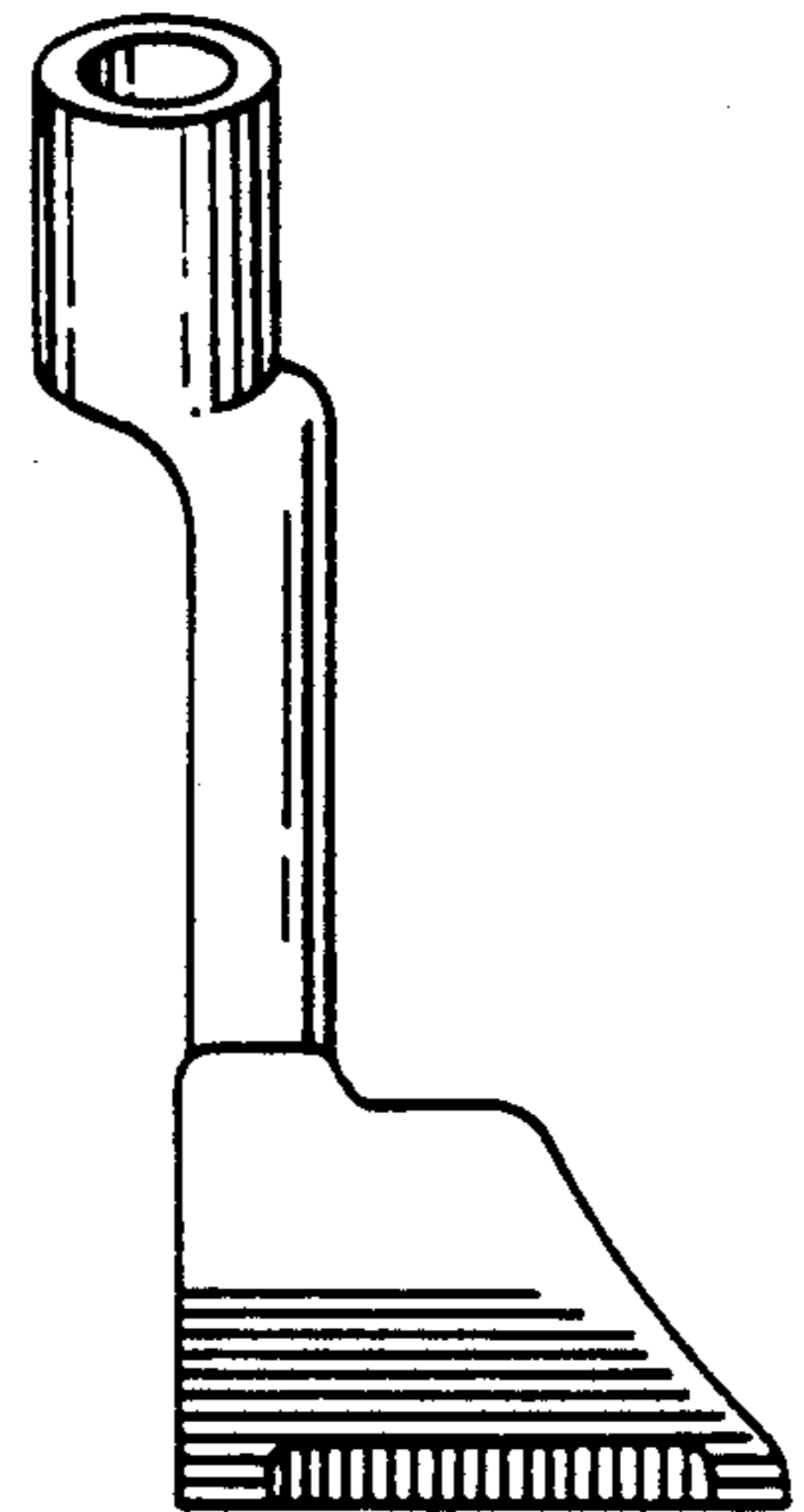
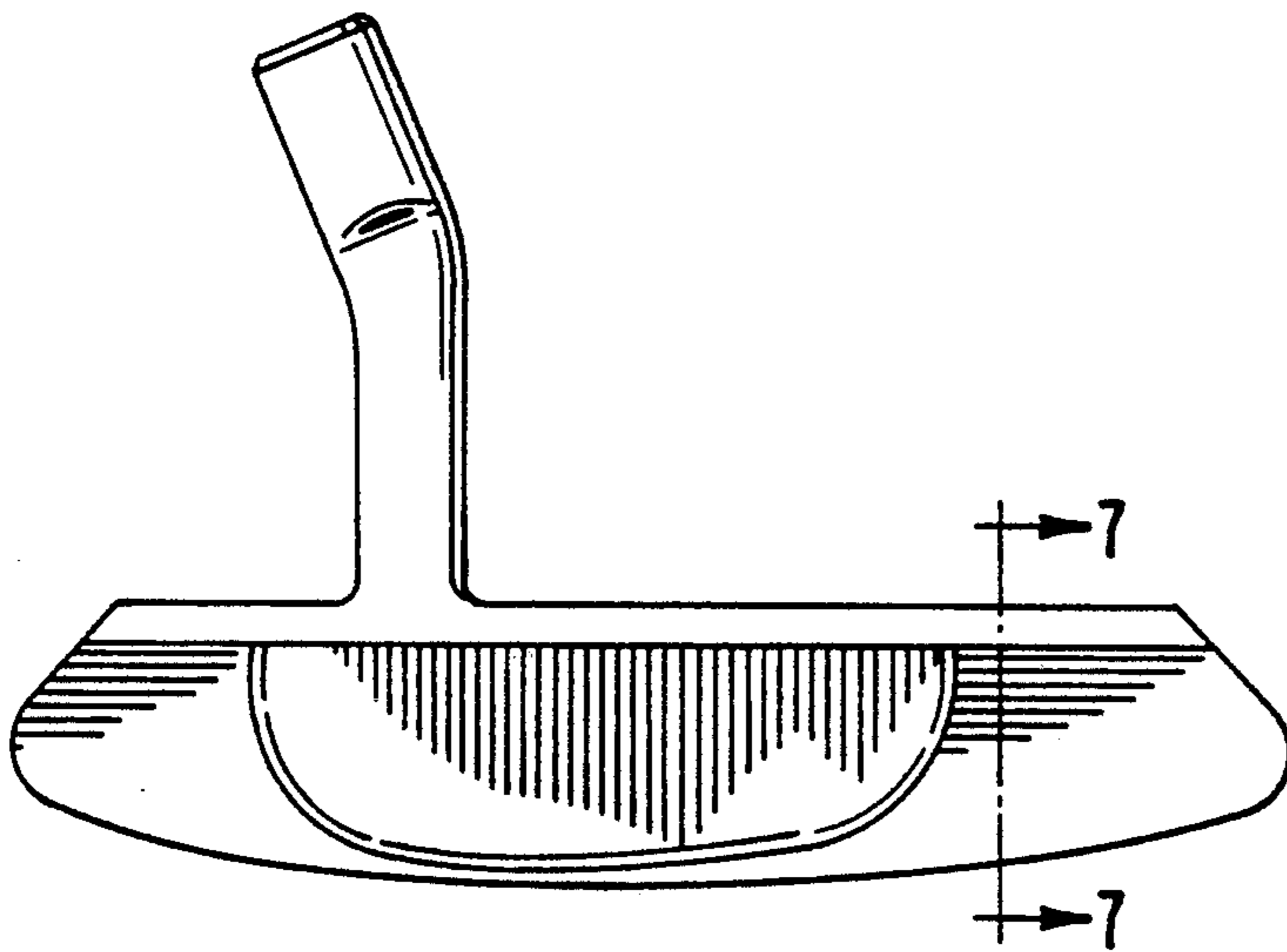


FIG. 1

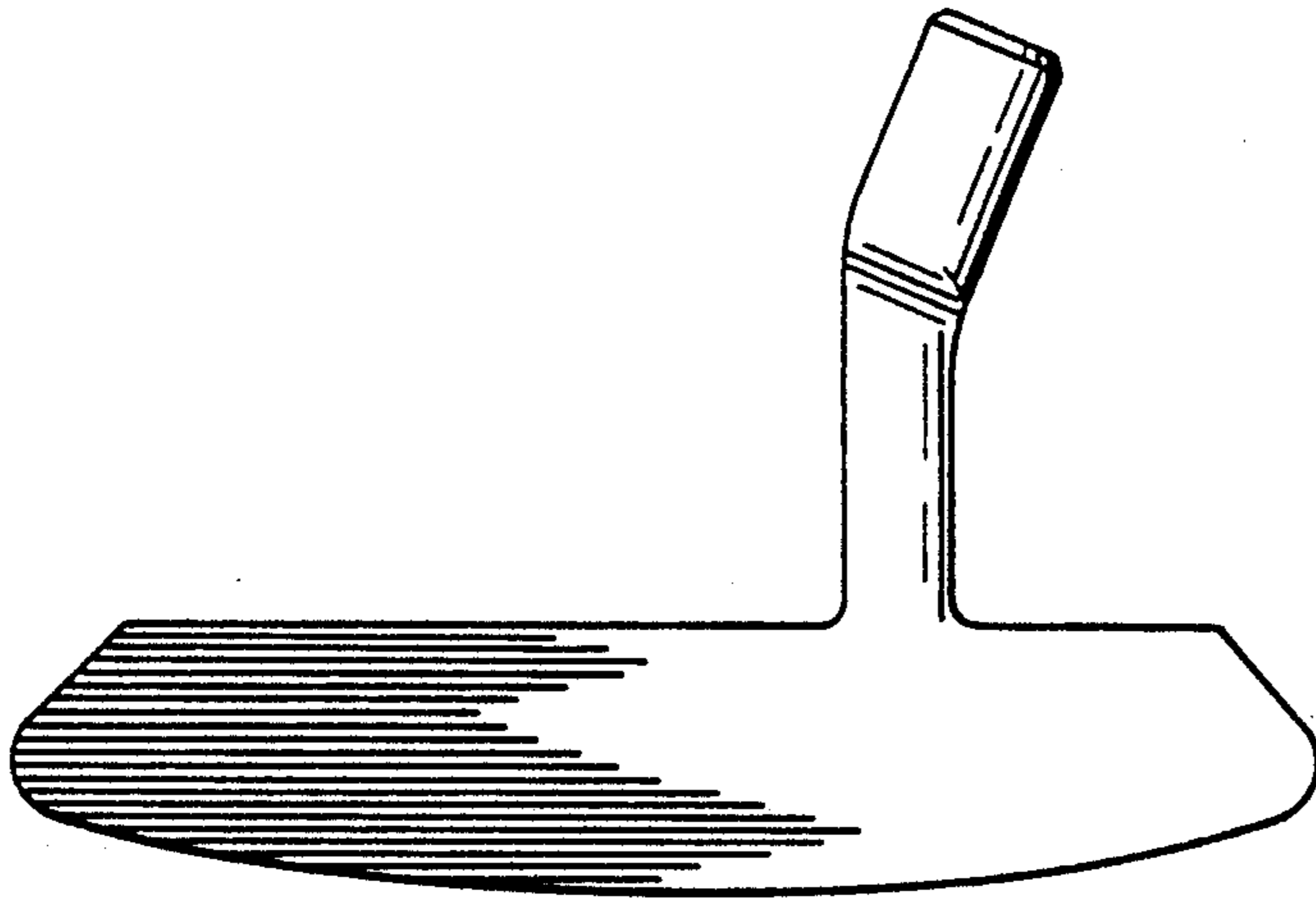


FIG. 2

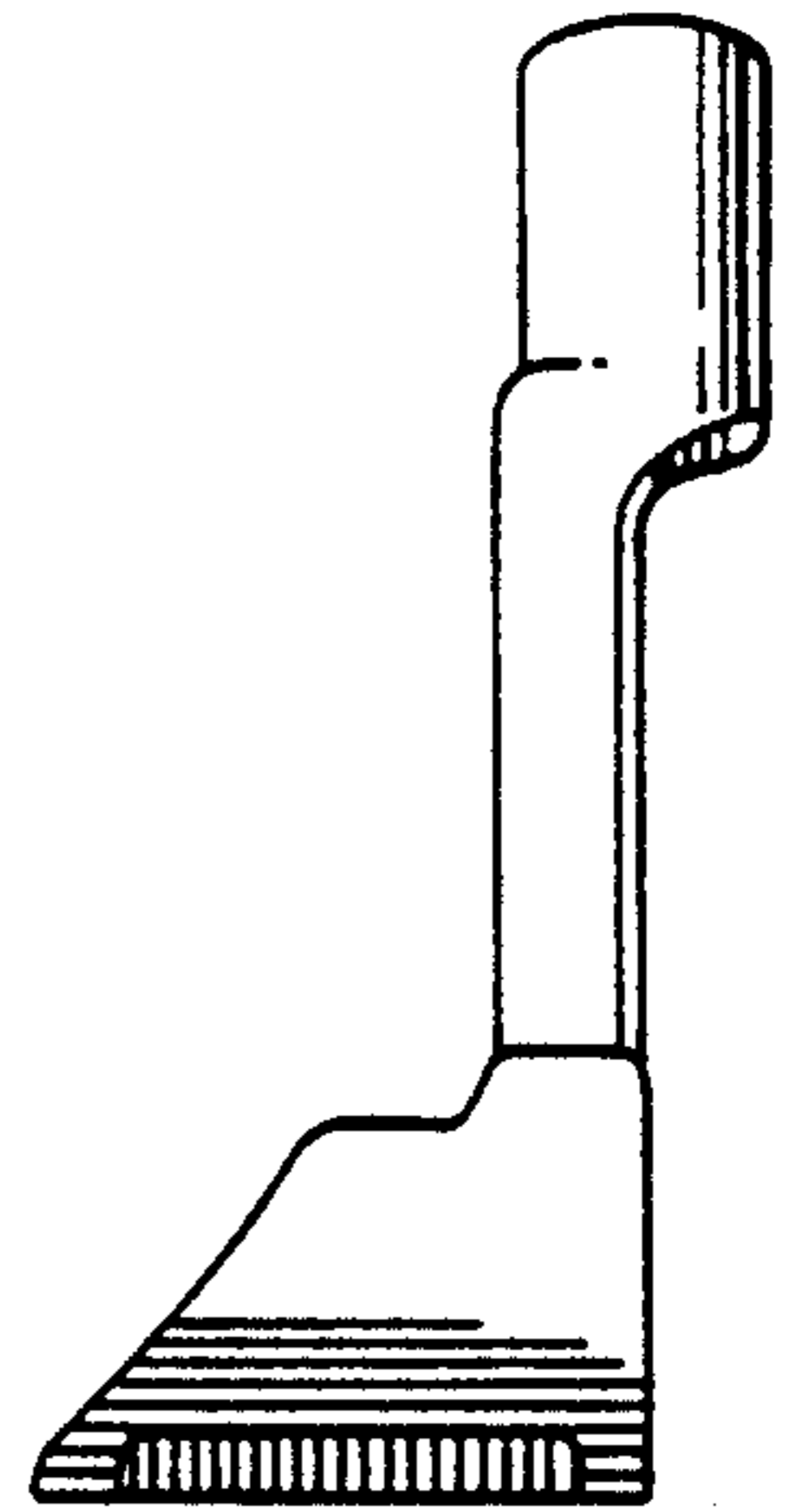


FIG. 3

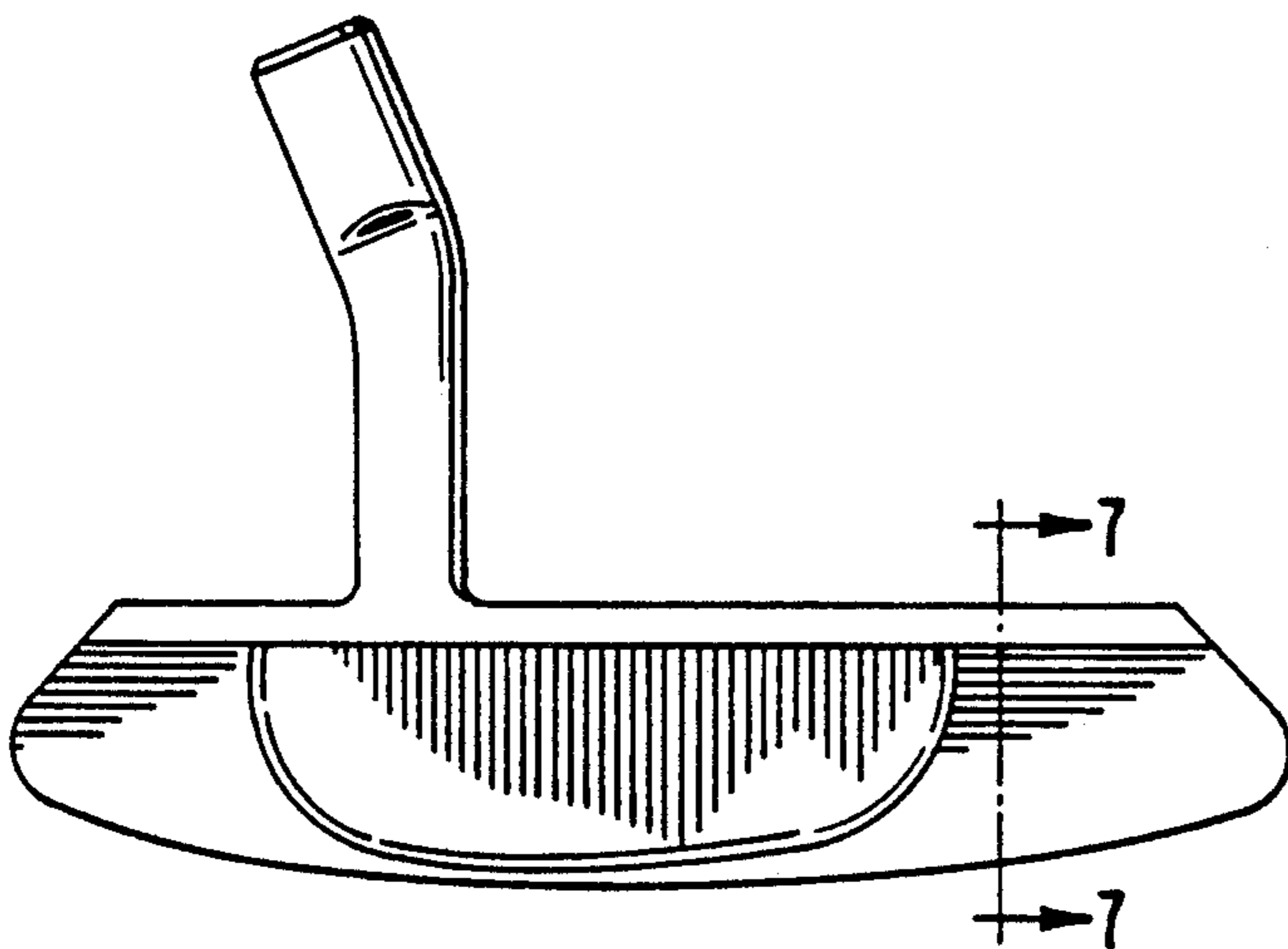


FIG. 4

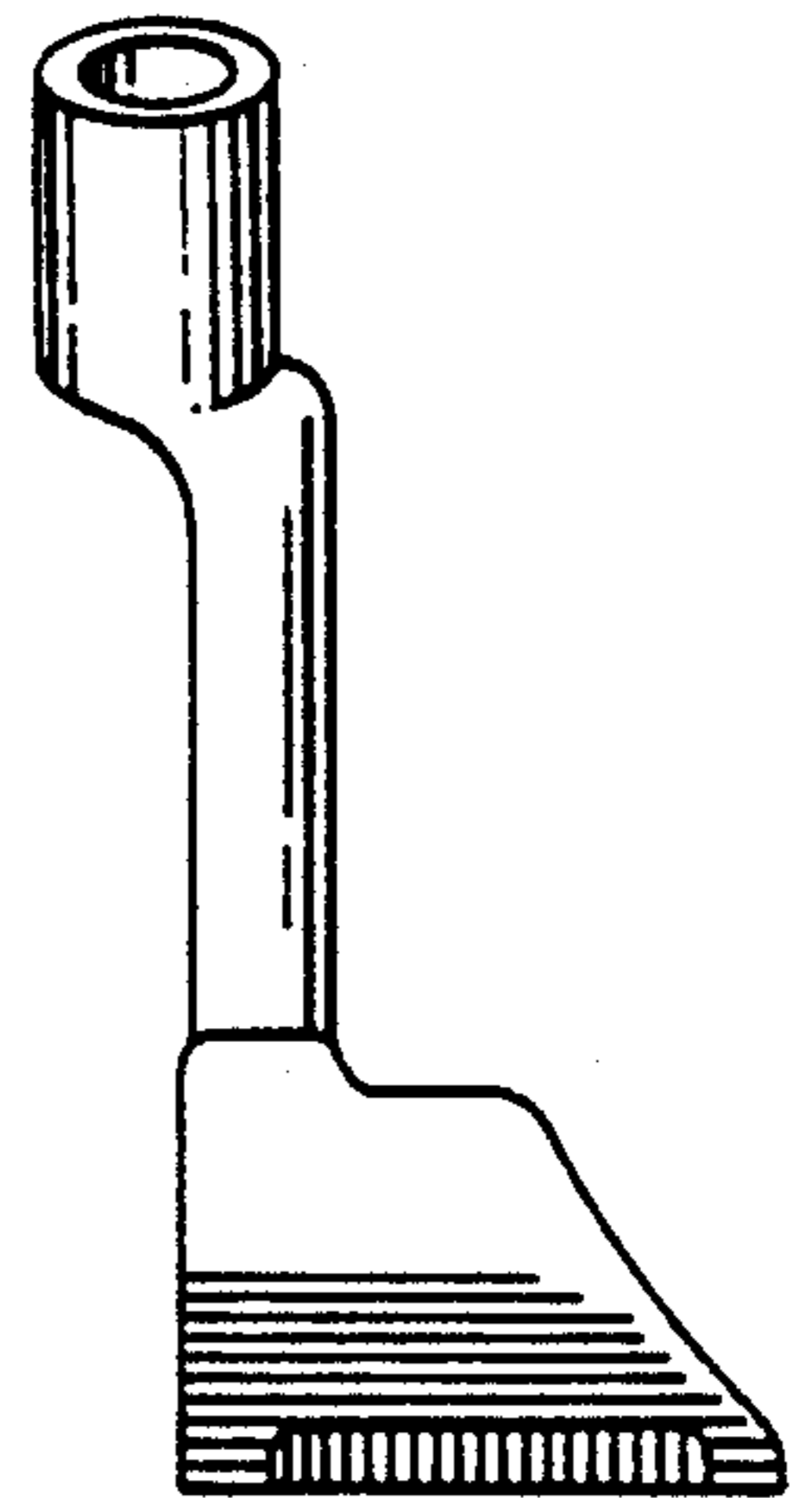


FIG. 5

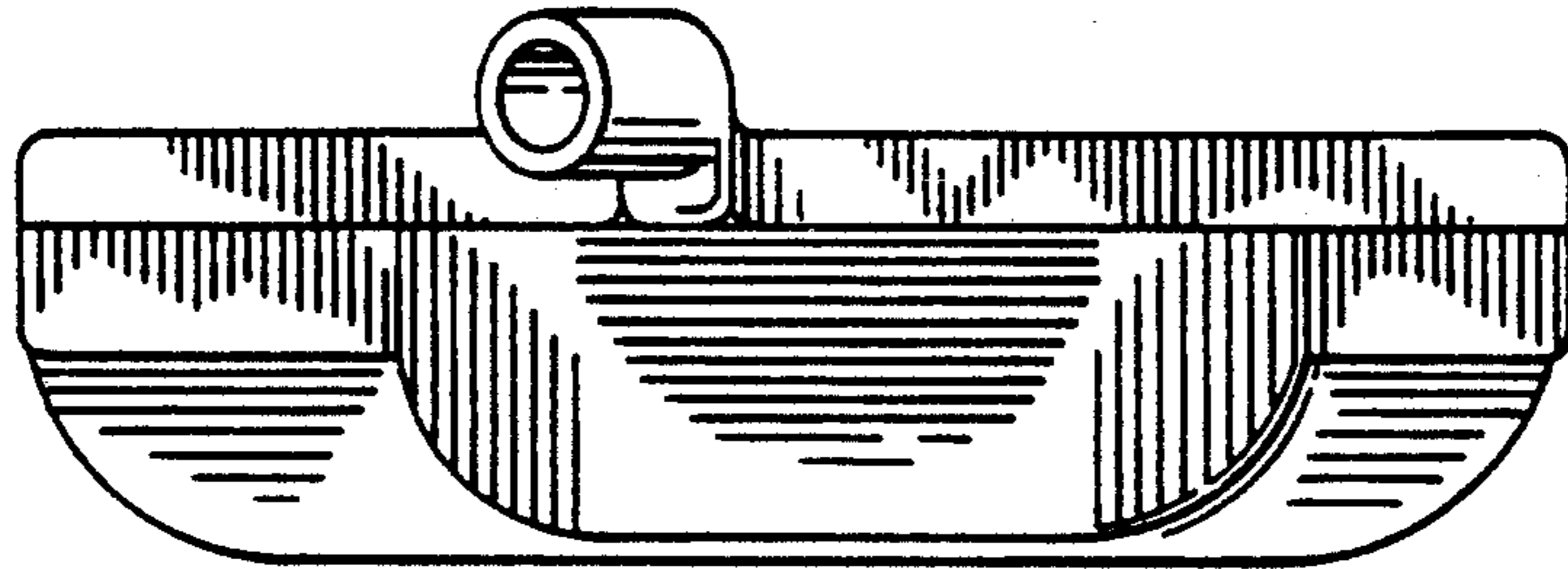


FIG. 6

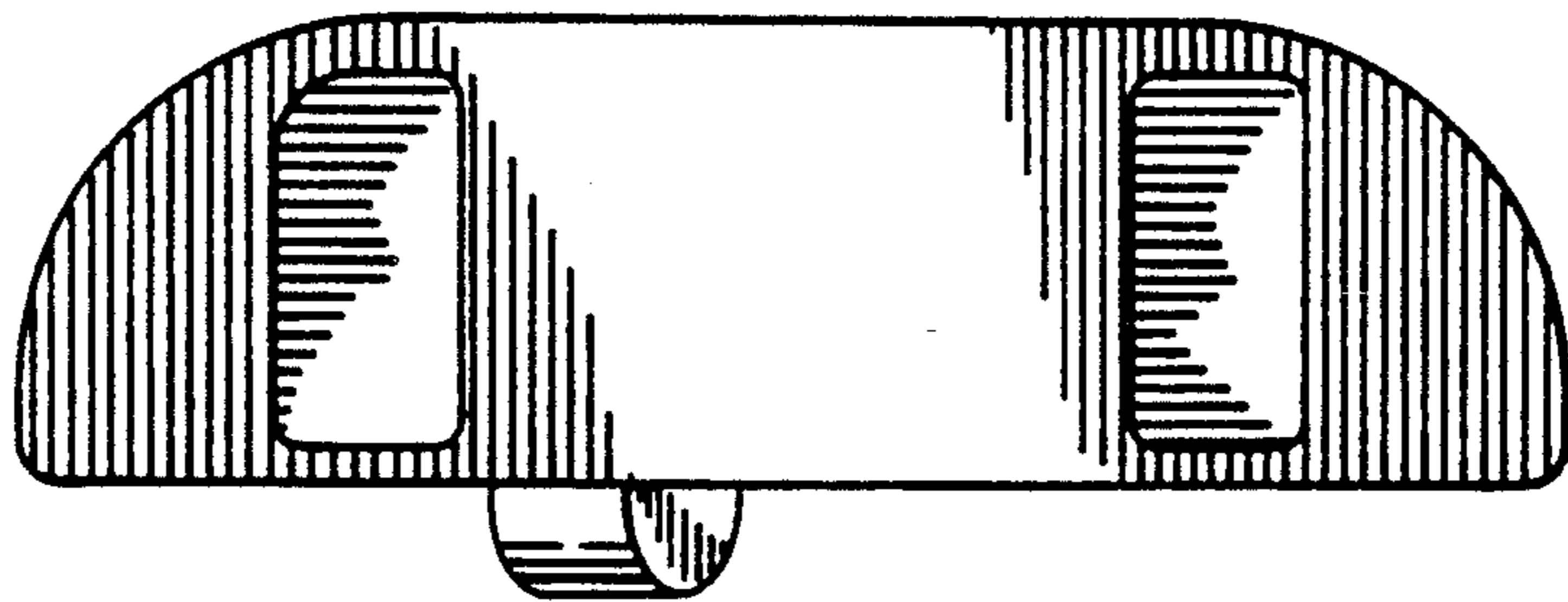


FIG. 7

