

United States Patent [19]

Dalton et al.

[11] Patent Number: Des. 321,229

[45] Date of Patent: ** Oct. 29, 1991

[54] FULL BODY EXERCISE CLIMBER

[75] Inventors: Cole J. Dalton, Seattle; David J. Littrell; Timothy O. Armstrong, both of Bellevue, all of Wash.

[73] Assignee: Precor Incorporated, Bothell, Wash.

[**] Term: 14 Years

[21] Appl. No.: 443,426

[22] Filed: Dec. 6, 1989

[52] U.S. Cl. D21/195

[58] Field of Search D21/191-199;
272/69, 70, 72, 97, 134, 130, 70.2

[56] **References Cited**

U.S. PATENT DOCUMENTS

D. 304,358 10/1989 Armstrong et al. D21/195
D. 307,615 5/1990 Bingham et al. D21/194
4,830,362 5/1989 Bull 272/70

4,838,543 6/1989 Armstrong et al. 272/130
4,909,504 3/1990 Yang 272/130
4,934,690 6/1990 Bull 272/70

Primary Examiner—Charles A. Rademaker
Attorney, Agent, or Firm—Christensen, O'Connor,
Johnson & Kindness

[57] **CLAIM**

The ornamental design for a full body exercise climber, as shown and described.

DESCRIPTION

FIG. 1 is a perspective view of a full body exercise climber showing our new design; FIG. 2 is a side elevational view thereof, the opposite side being substantially a mirror image thereof; FIG. 3 is a rear elevational view thereof; FIG. 4 is a front elevational view thereof; FIG. 5 is a top view thereof; and, FIG. 6 is a bottom view thereof.

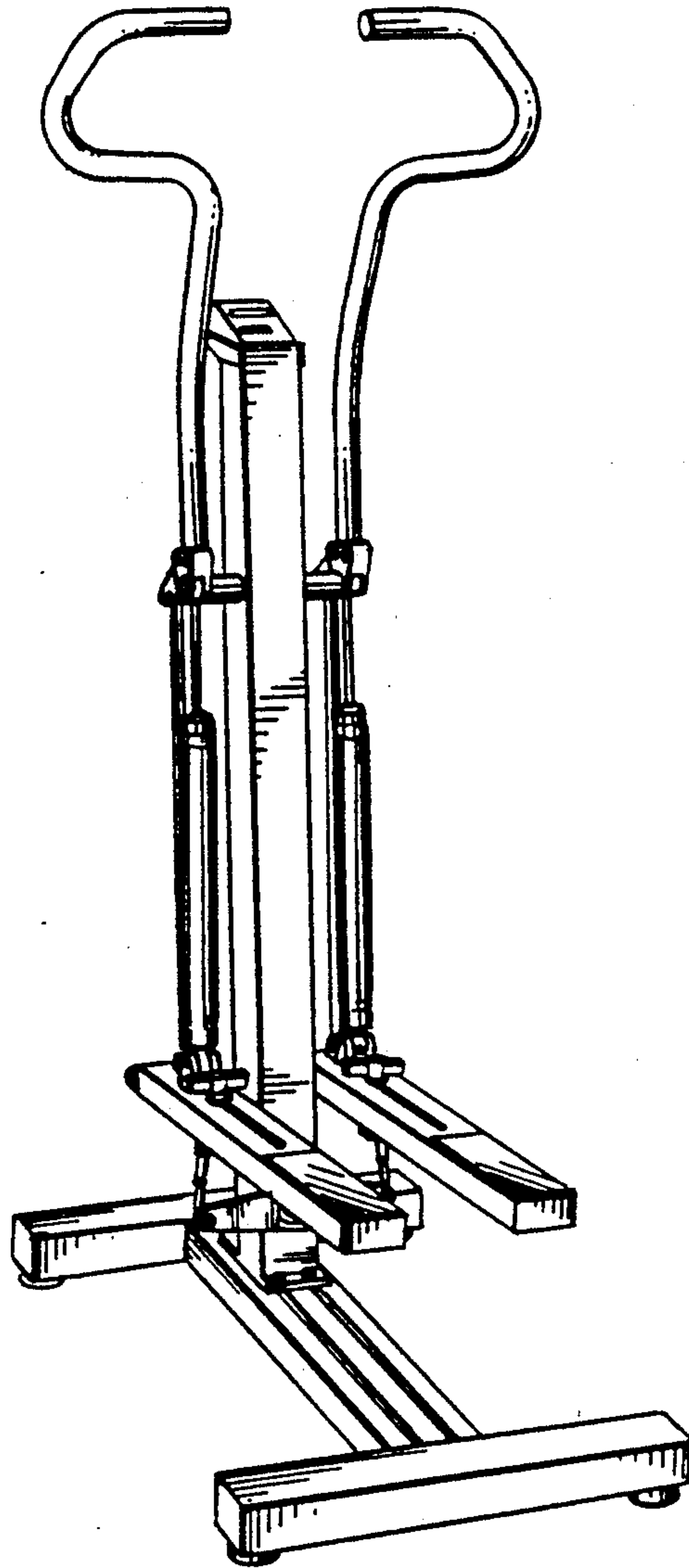


Fig. 2.

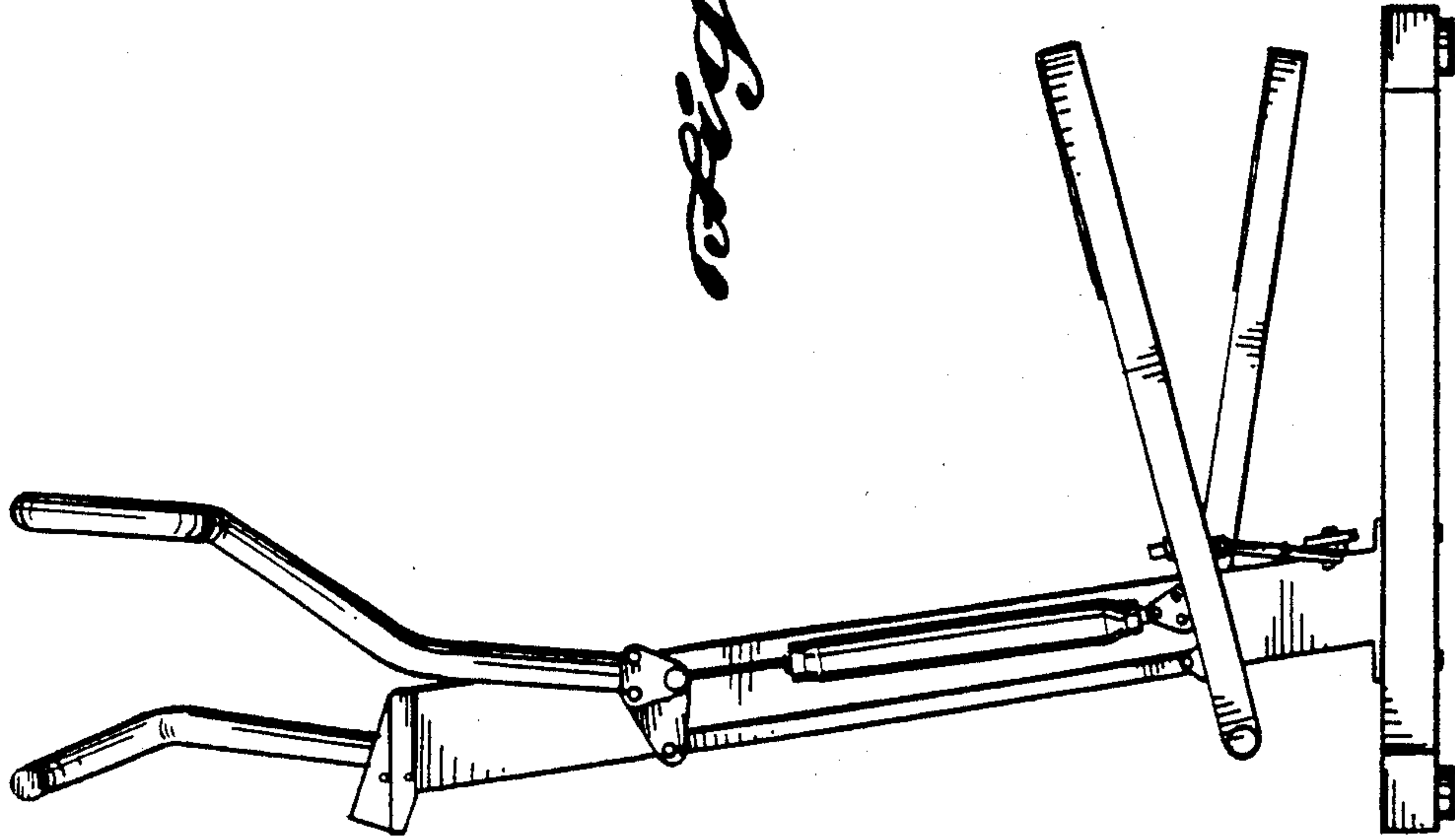


Fig. 1.

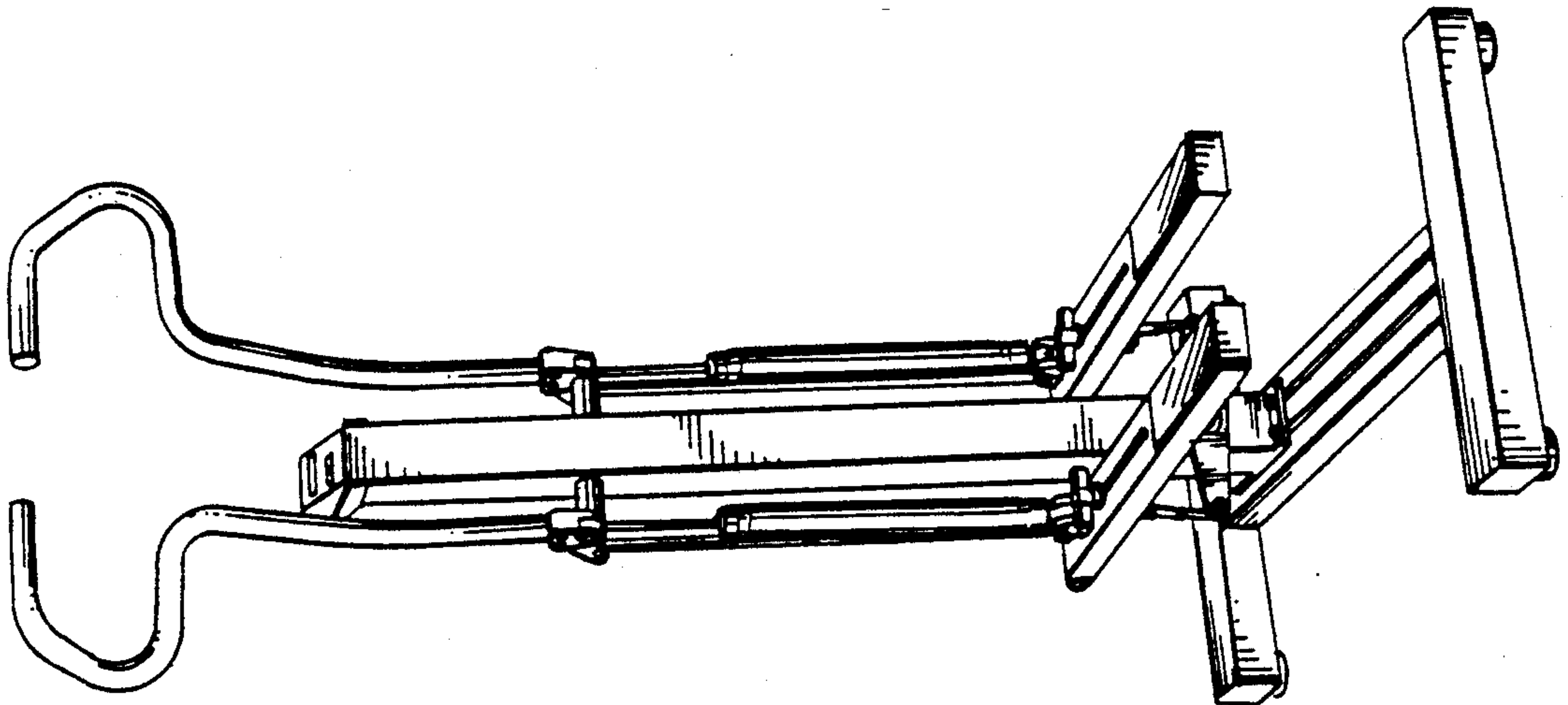


Fig. 4.

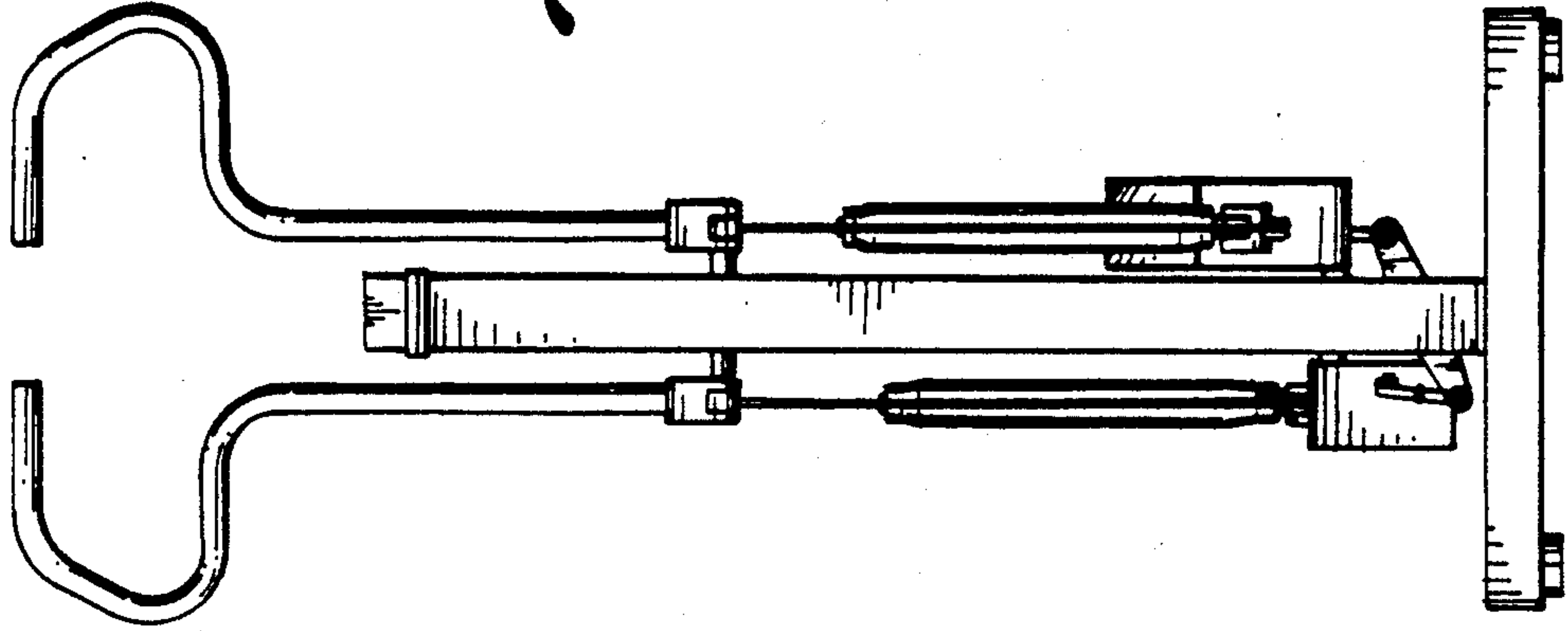
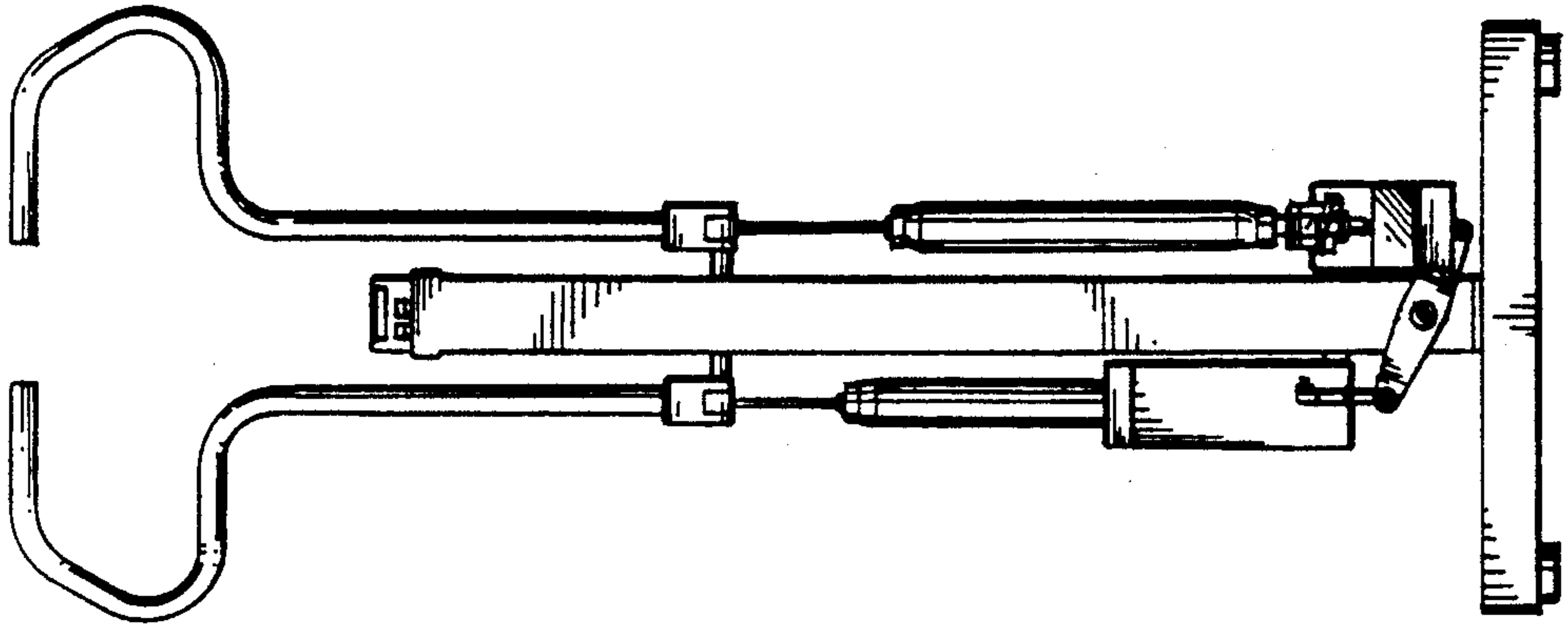


Fig. 3.



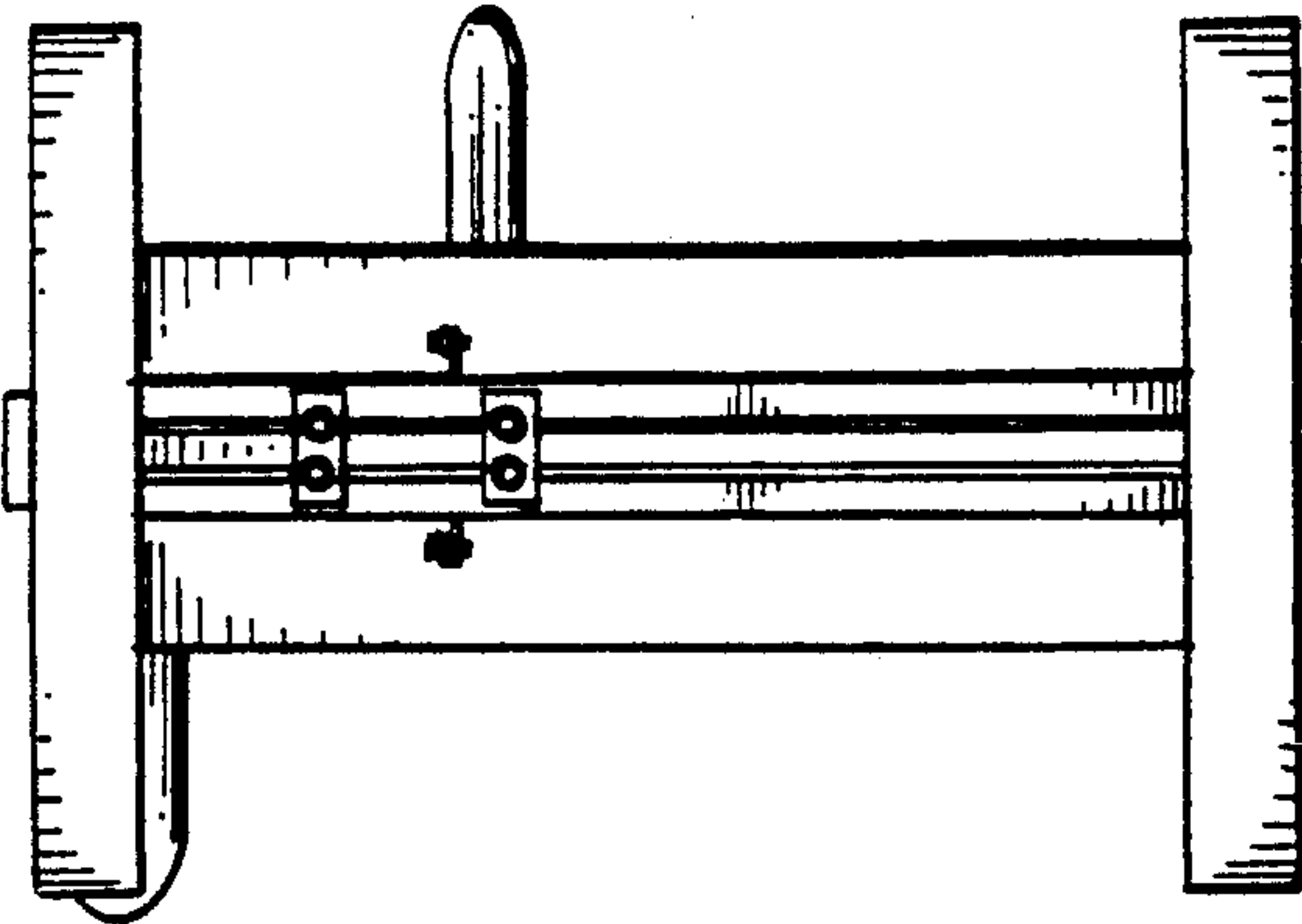


Fig. 6.

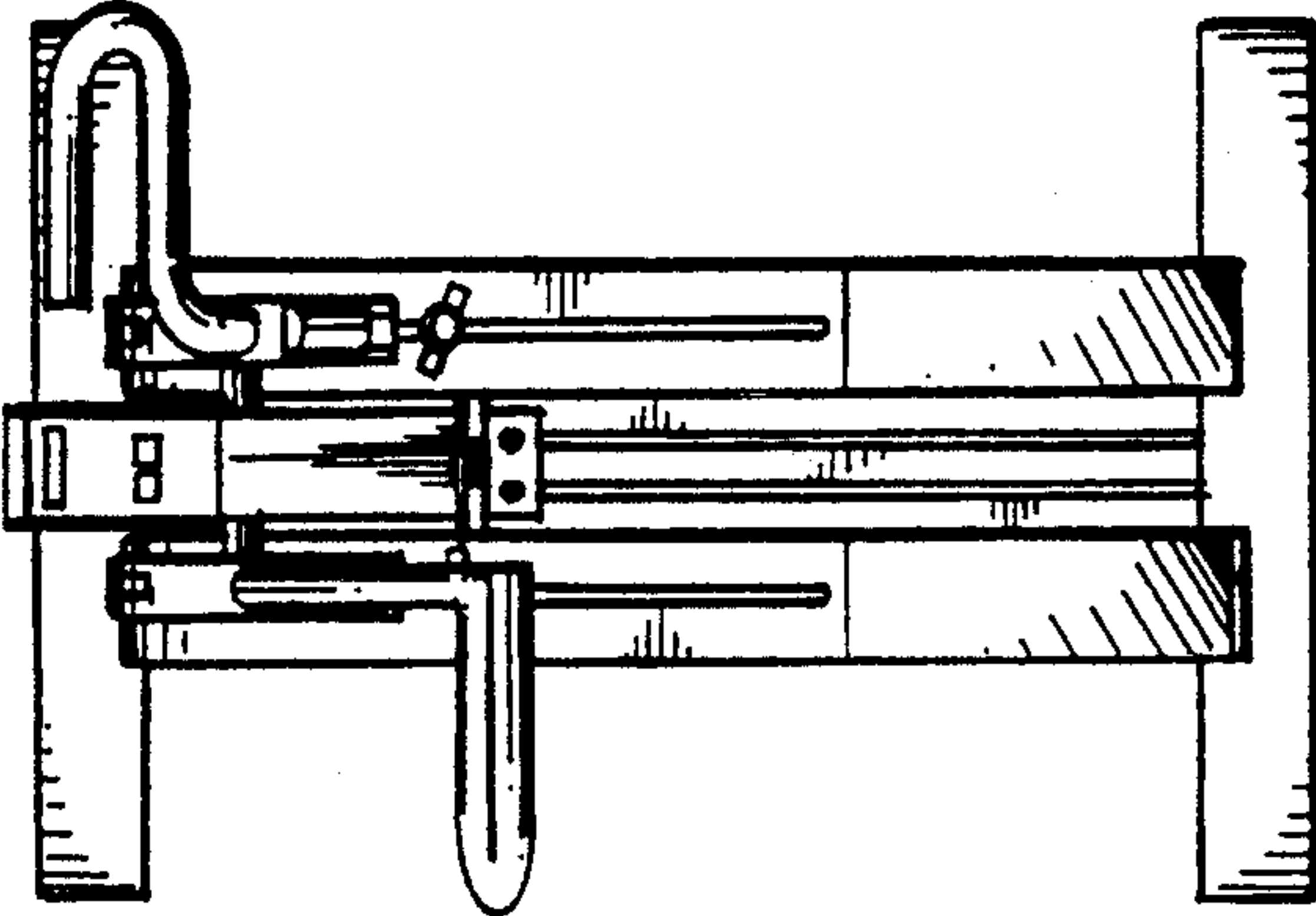


Fig. 5.