

[54] PHYSICAL EXERCISER

D. 300,048 2/1989 Grider D21/195
D. 300,647 4/1989 Griffin D21/195

[76] Inventor: Martin A. Van Der Hoeven, 3330
Carlsbad Blvd., #303, Carlsbad,
Calif. 92008

Primary Examiner—Charles A. Rademaker
Attorney, Agent, or Firm—Henri J. A. Charmasson

[**] Term: 14 Years

[57] CLAIM

[21] Appl. No.: 360,231

The ornamental design for a physical exerciser, as shown and described.

[22] Filed: Jun. 1, 1989

DESCRIPTION

[52] U.S. Cl. D21/195

[58] Field of Search D21/191-199;
273/93, 96, 125, 130, 133, 134, 142, 143, 144

FIG. 1 is a right side elevational view of a physical exerciser showing my new design, the side opposite being a mirror image;

[56] References Cited

U.S. PATENT DOCUMENTS

- D. 213,119 1/1969 Burns D21/195
- D. 283,636 4/1986 Lepley D21/194
- D. 284,297 6/1986 Mahnke D21/195

FIG. 2 is a rear elevational view thereof;

FIG. 3 is a front elevational view thereof;

FIG. 4 is a top plan view thereof;

FIG. 5 is a cross-sectional view thereof taken along line 5-5 in FIG. 4; and,

FIG. 6 is a bottom plan view thereof.

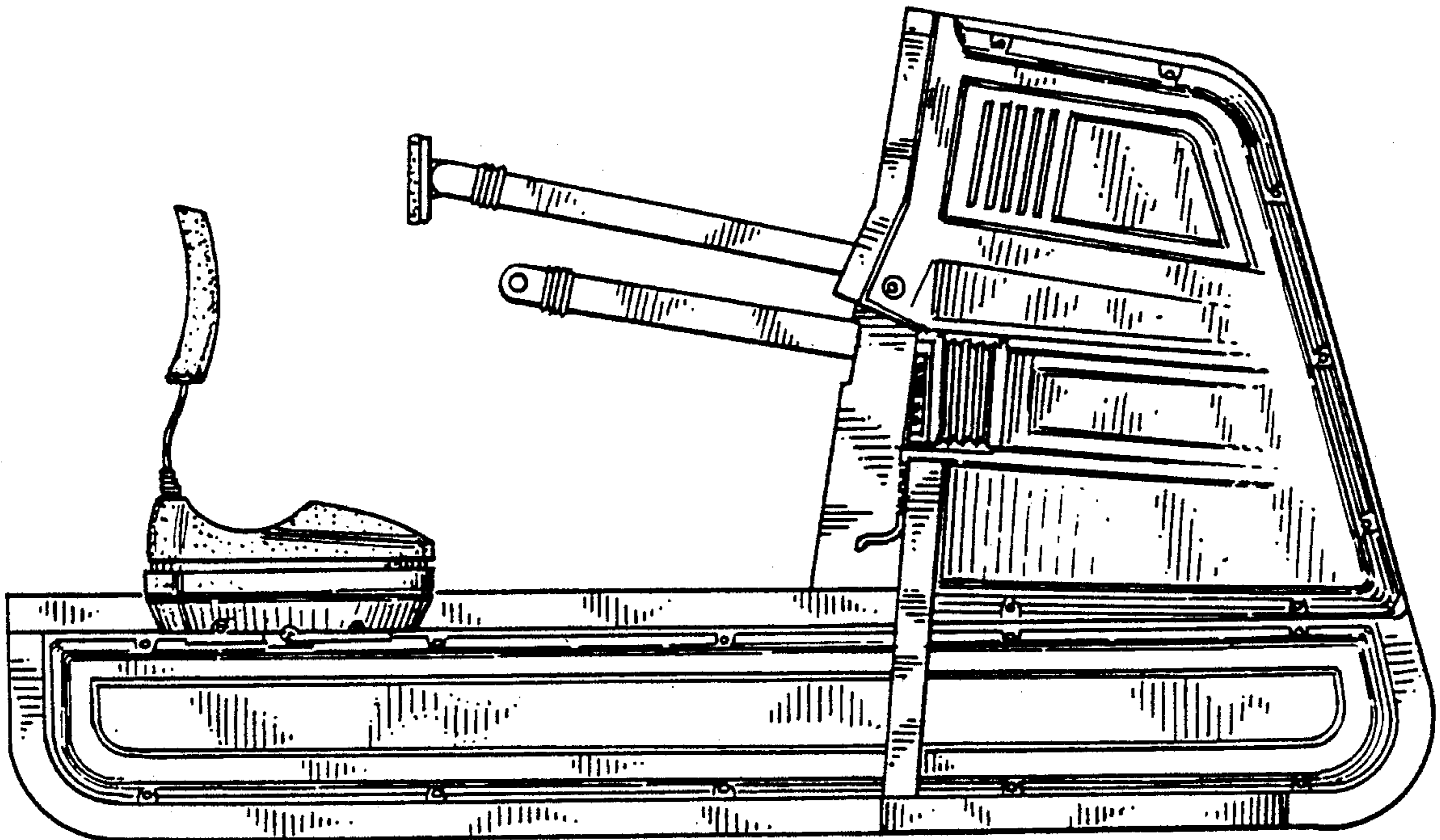


Fig. 2

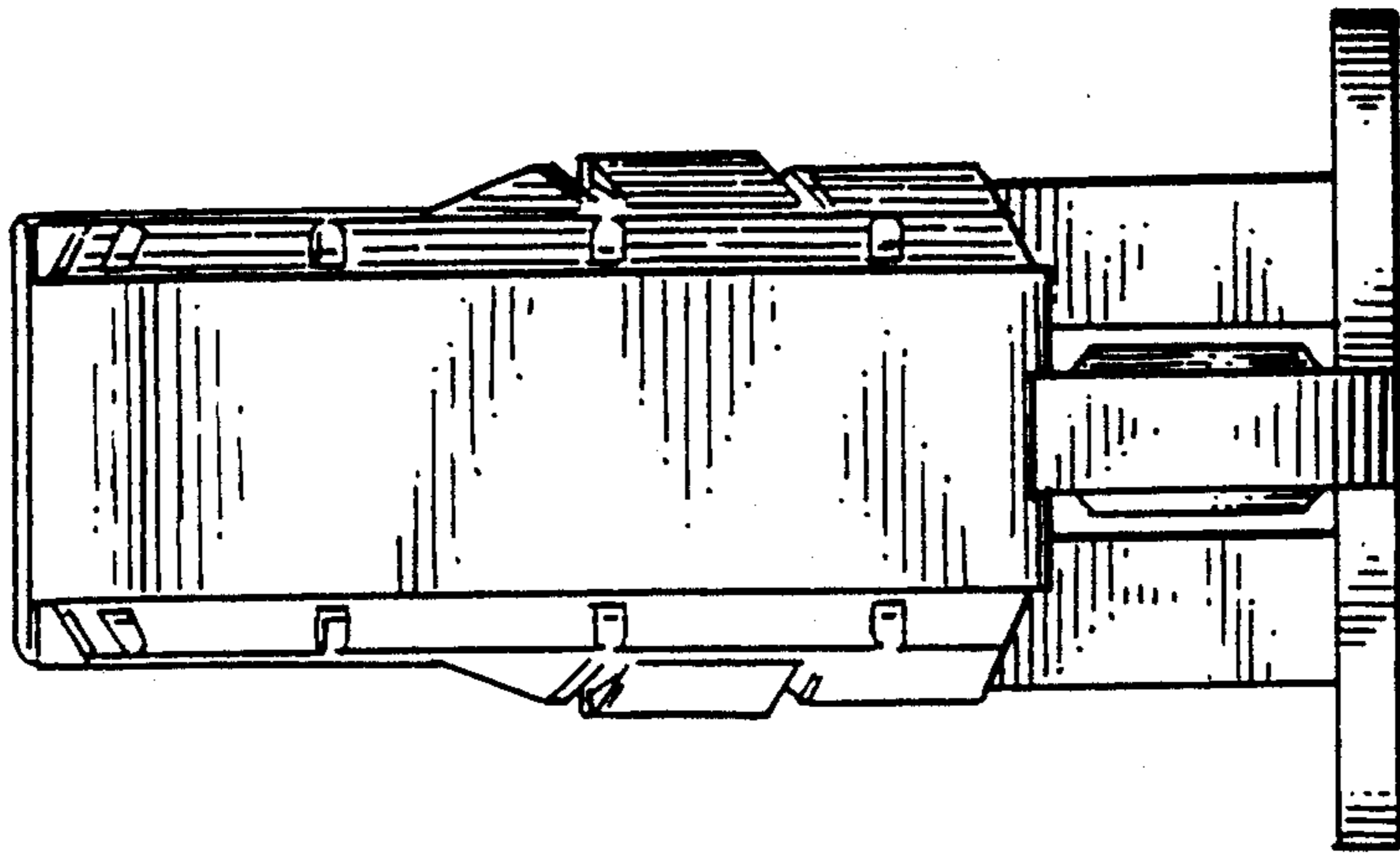


Fig. 1

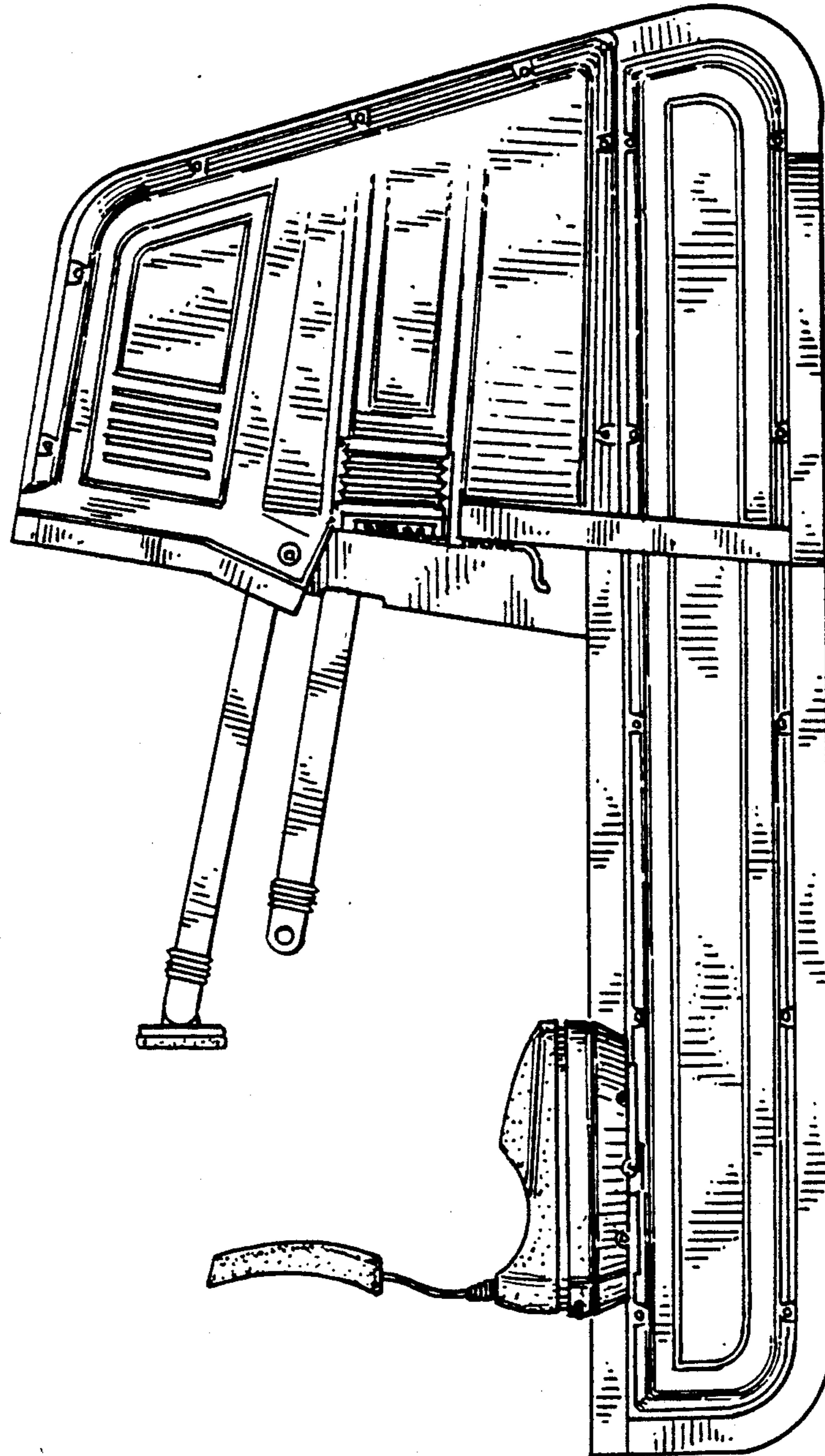


Fig. 3

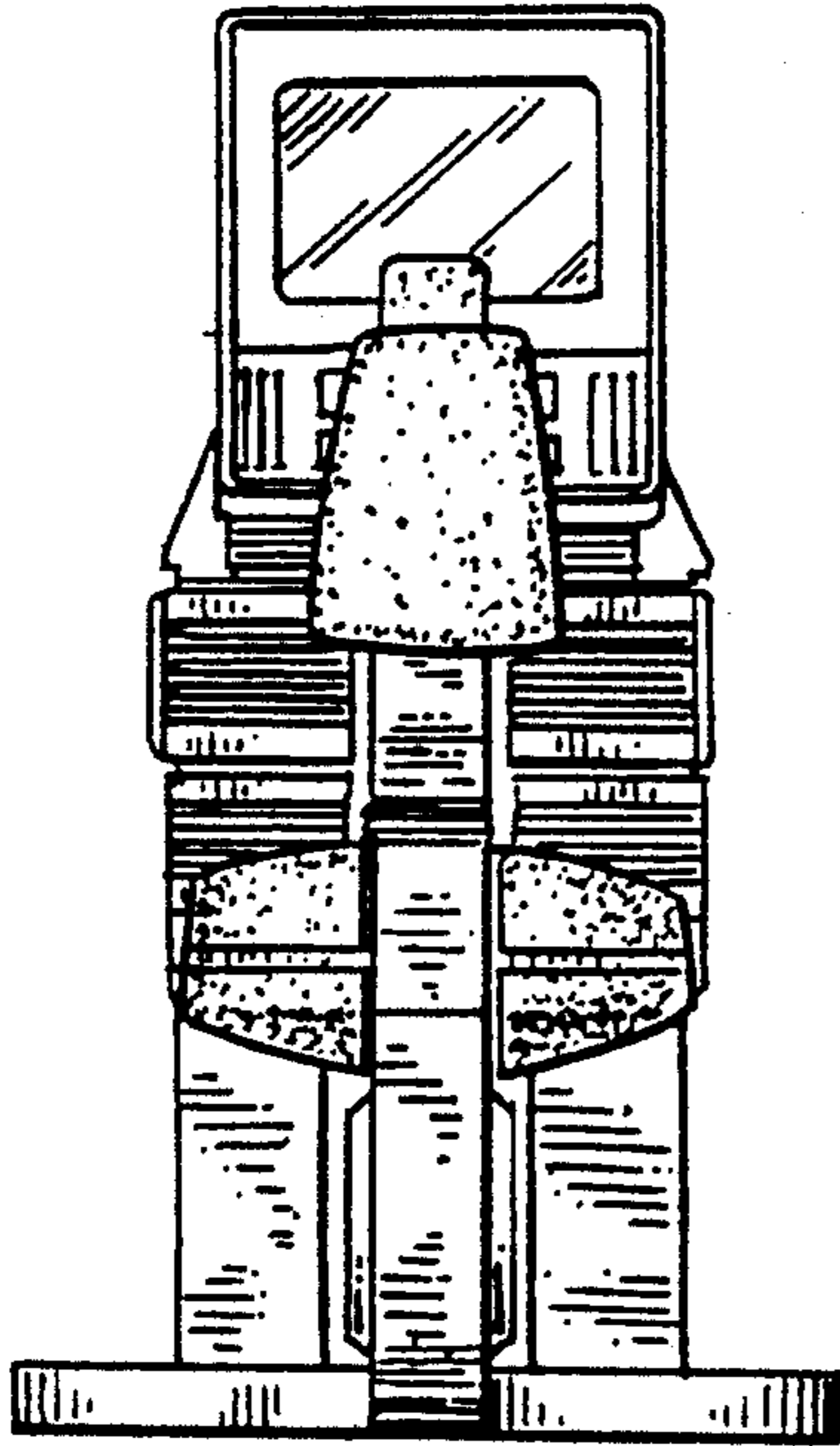


Fig. 5

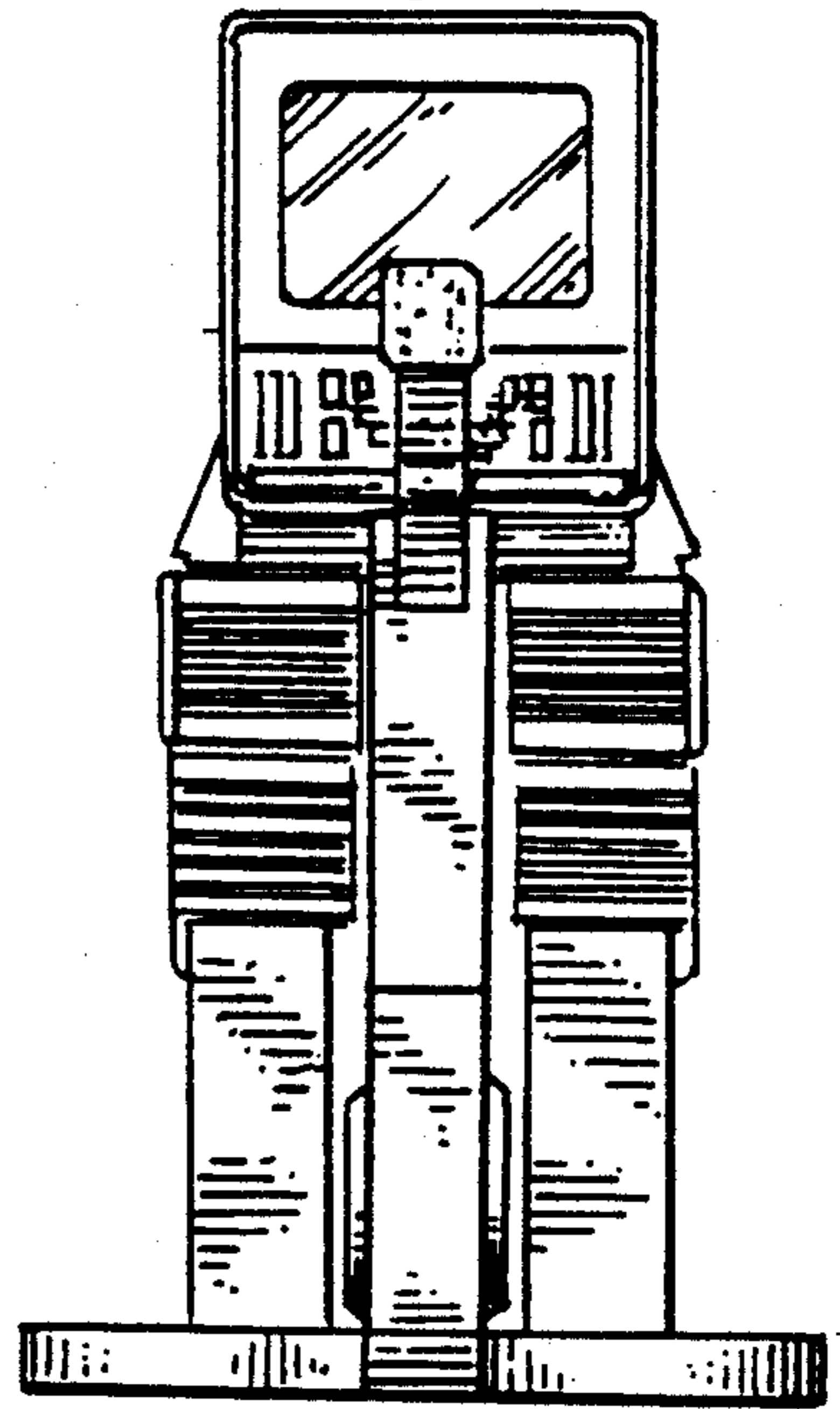


Fig. 4

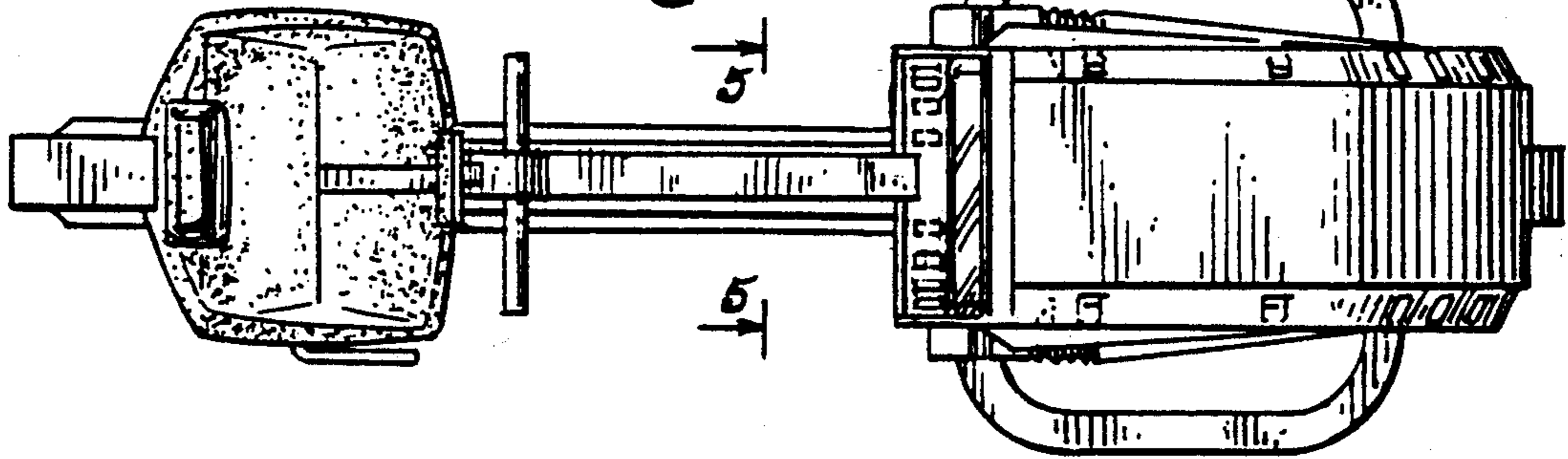


Fig. 6

