

[54] SEAT FOR AN UPPER BODY EXERCISE MACHINE

D. 243,296 2/1977 Gottsegen D6/375
D. 256,299 8/1980 MacCready D6/375

[75] Inventors: Howard J. Solow, Nesconset; Andrew B. Glass, Dix Hills; David W. Snow, Holbrook, all of N.Y.

Primary Examiner—Charles A. Rademaker
Attorney, Agent, or Firm—Davis, Hoxie Faithfull & Hapgood

[73] Assignee: Lumex, Inc., Bay Shore, N.Y.

[57] CLAIM

[**] Term: 14 Years

The ornamental design for a seat for an upper body exercise machine, as shown and described.

[21] Appl. No.: 361,095

DESCRIPTION

[22] Filed: Jun. 5, 1989

[52] U.S. Cl. D21/191

[58] Field of Search D21/191-199;

D6/374, 375; 272/144, 143, 73

FIG. 1 is a perspective view of a seat for an upper body exercise machine showing our new design; FIG. 2 is a top plan view thereof; FIG. 3 is a front elevational view thereof; FIG. 4 is a side elevational view thereof; and FIG. 5 is a rear elevational view thereof.

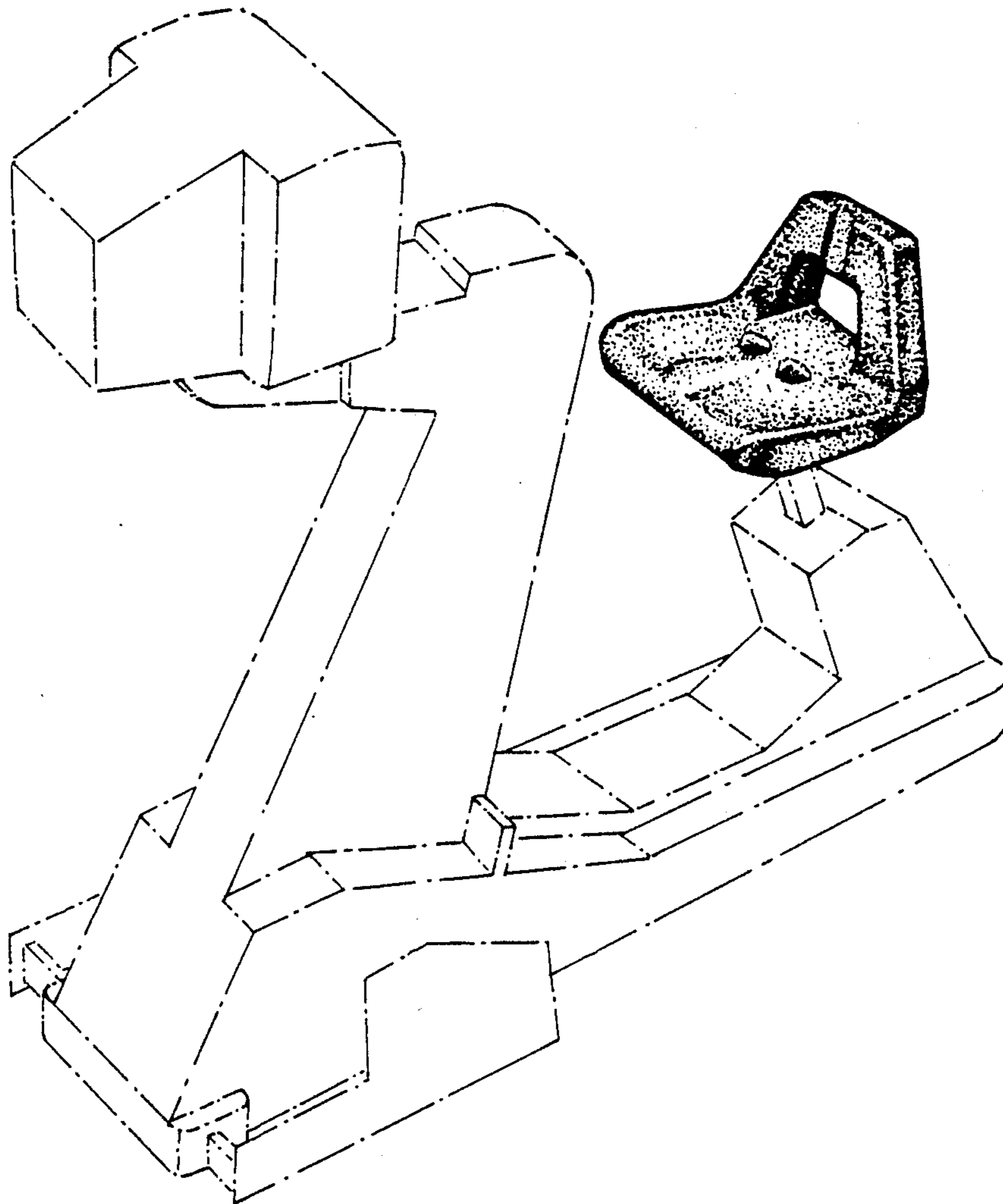
The broken line showing of an exercise machine in FIG. 1 is for illustrative purposes only and forms no part of the claimed design.

The unshown bottom of the seat for an upper body exercise machine is substantially plain and unornamented.

[56] References Cited

U.S. PATENT DOCUMENTS

- D. 171,210 12/1953 Jones D6/375
- D. 193,338 8/1962 Tepper D6/375
- D. 235,236 6/1975 Prizlow D6/375
- D. 237,662 11/1975 Subert D6/375



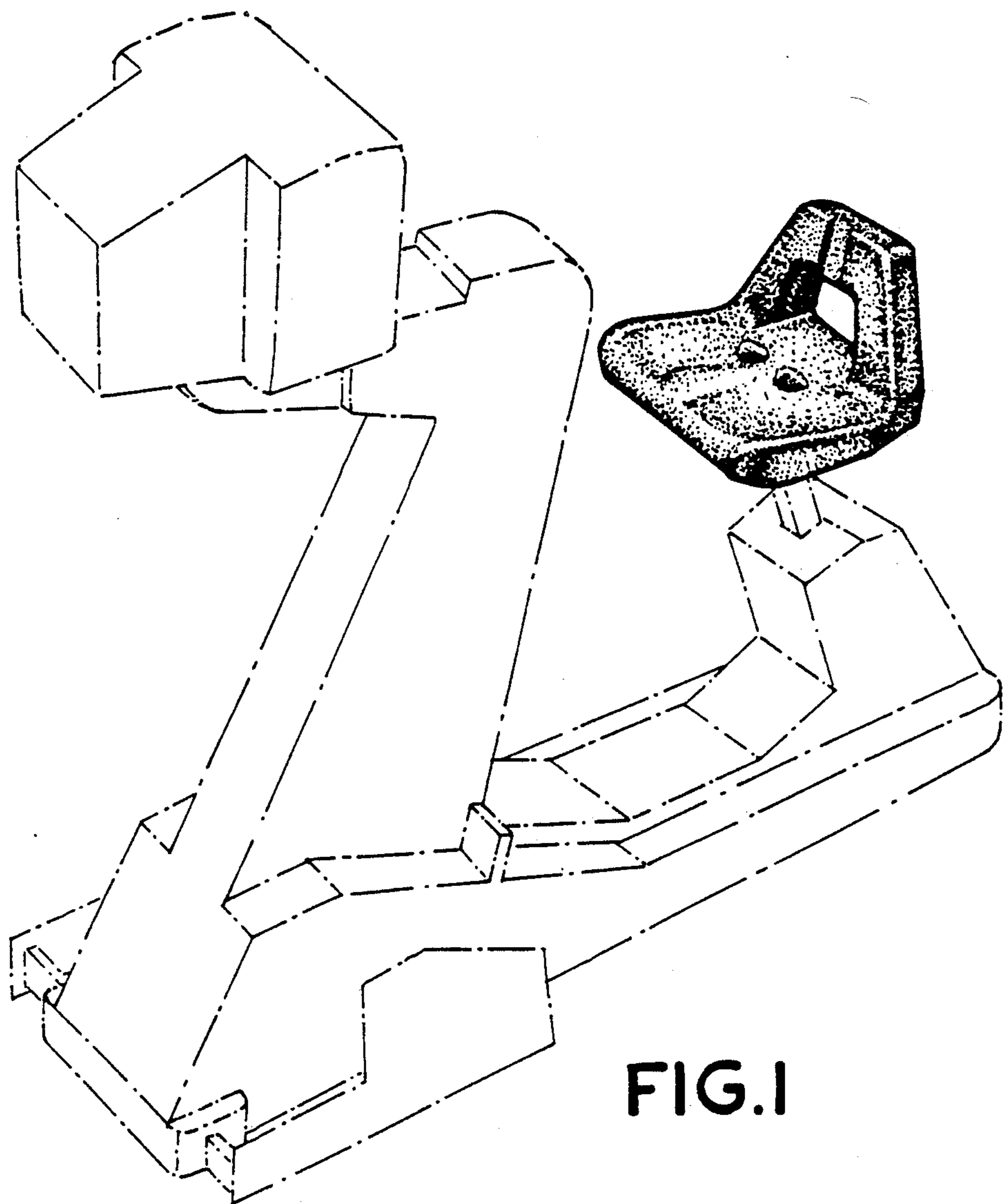


FIG. 1

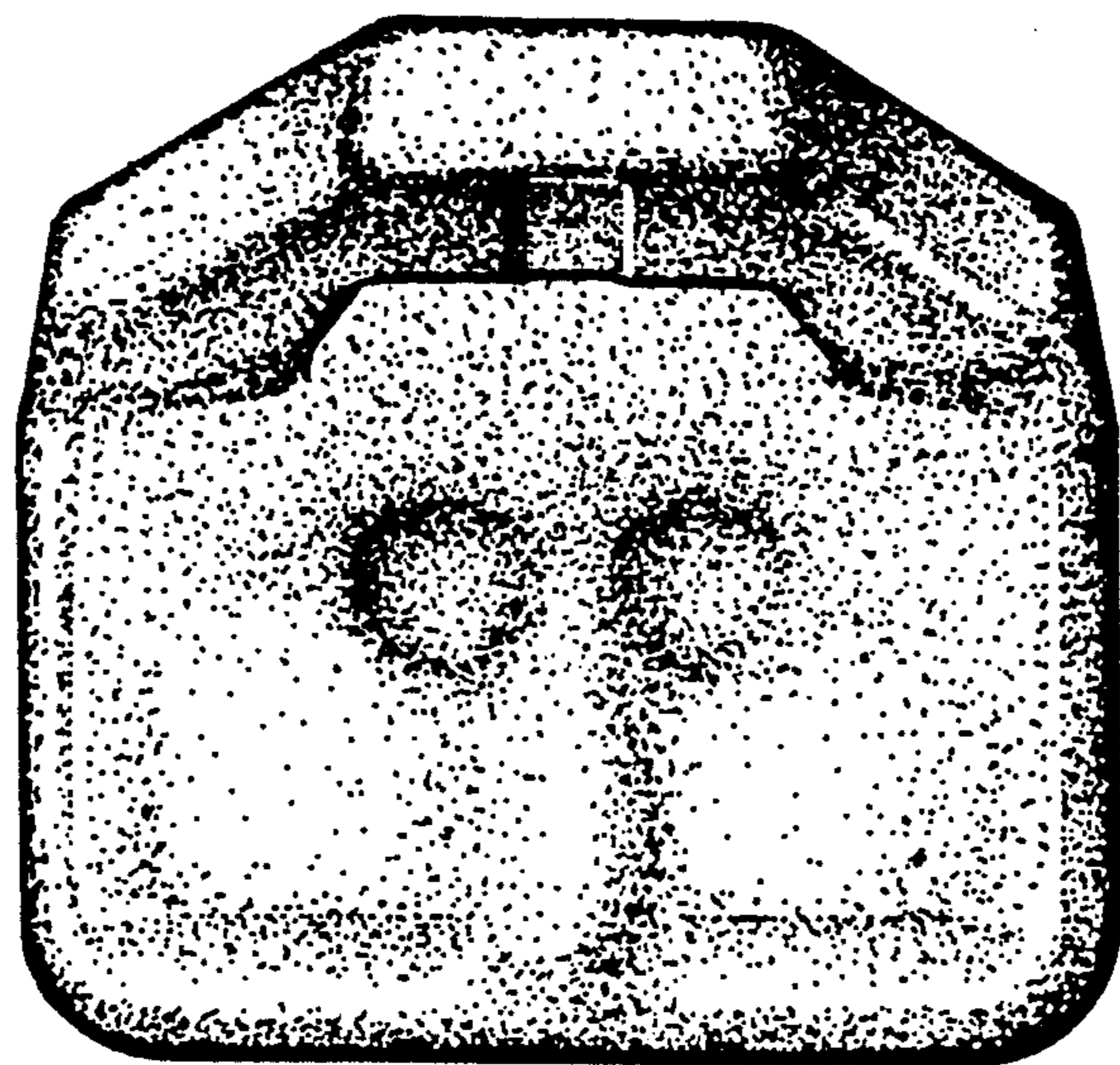


FIG. 2

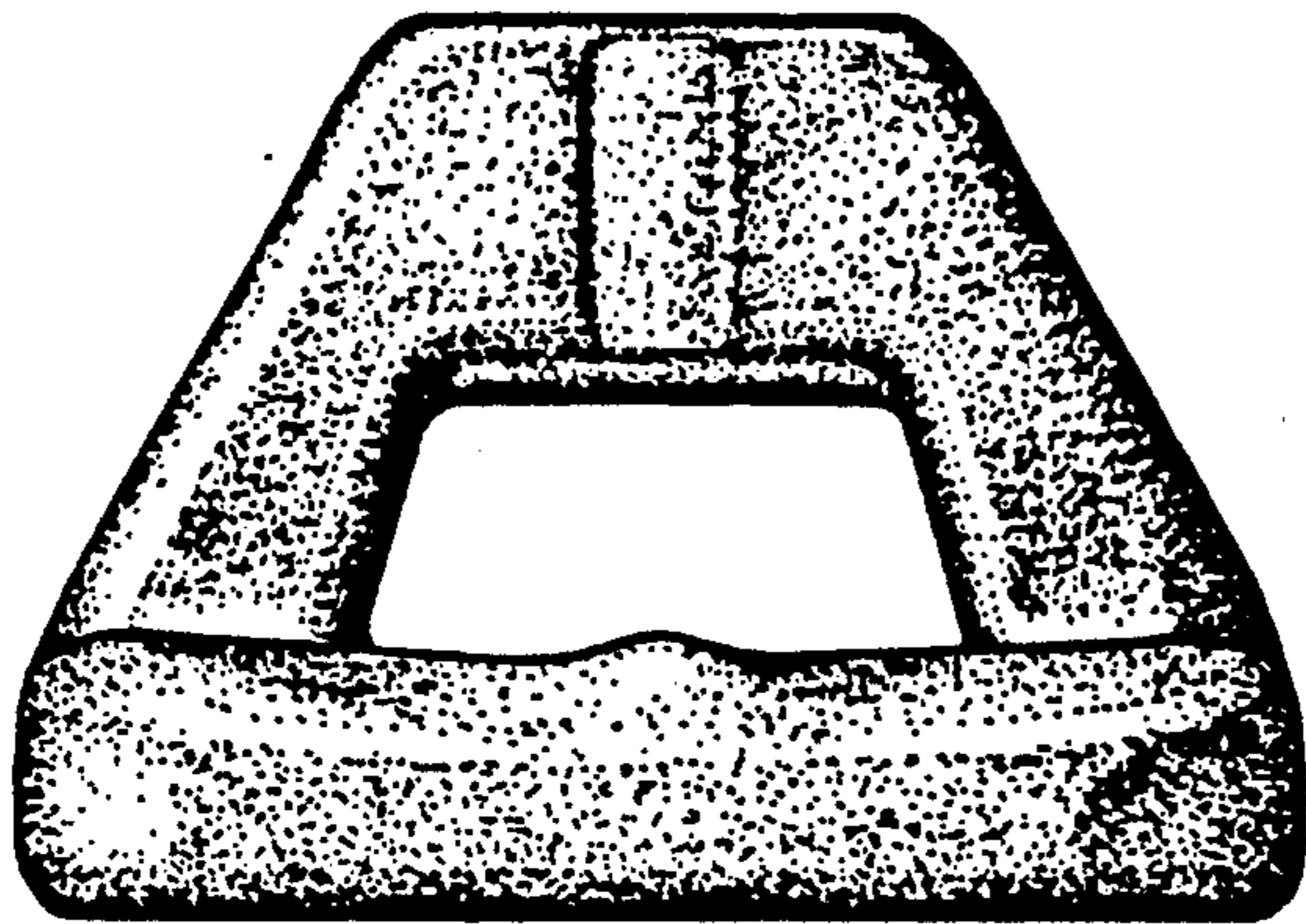


FIG. 3

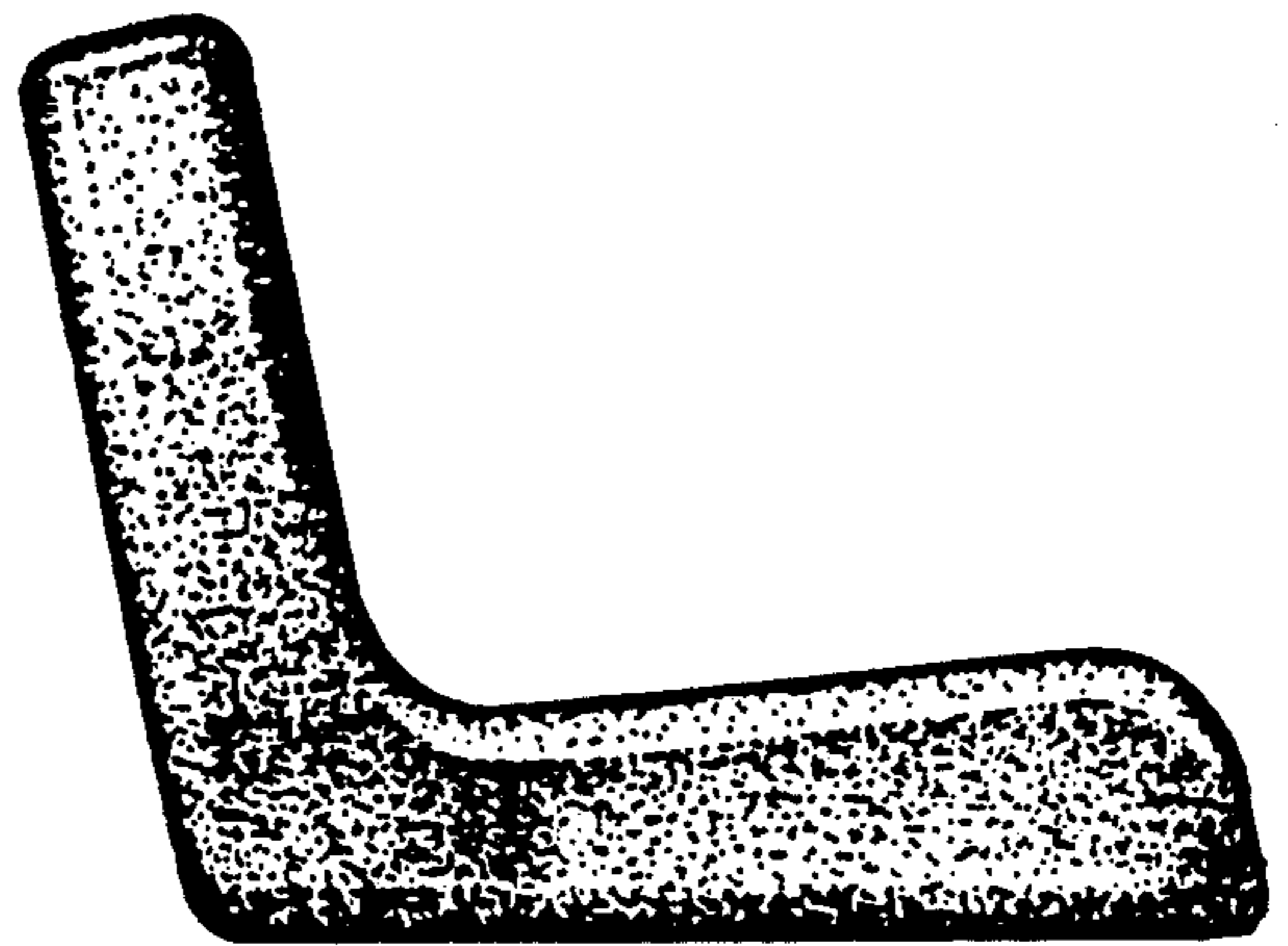


FIG. 4

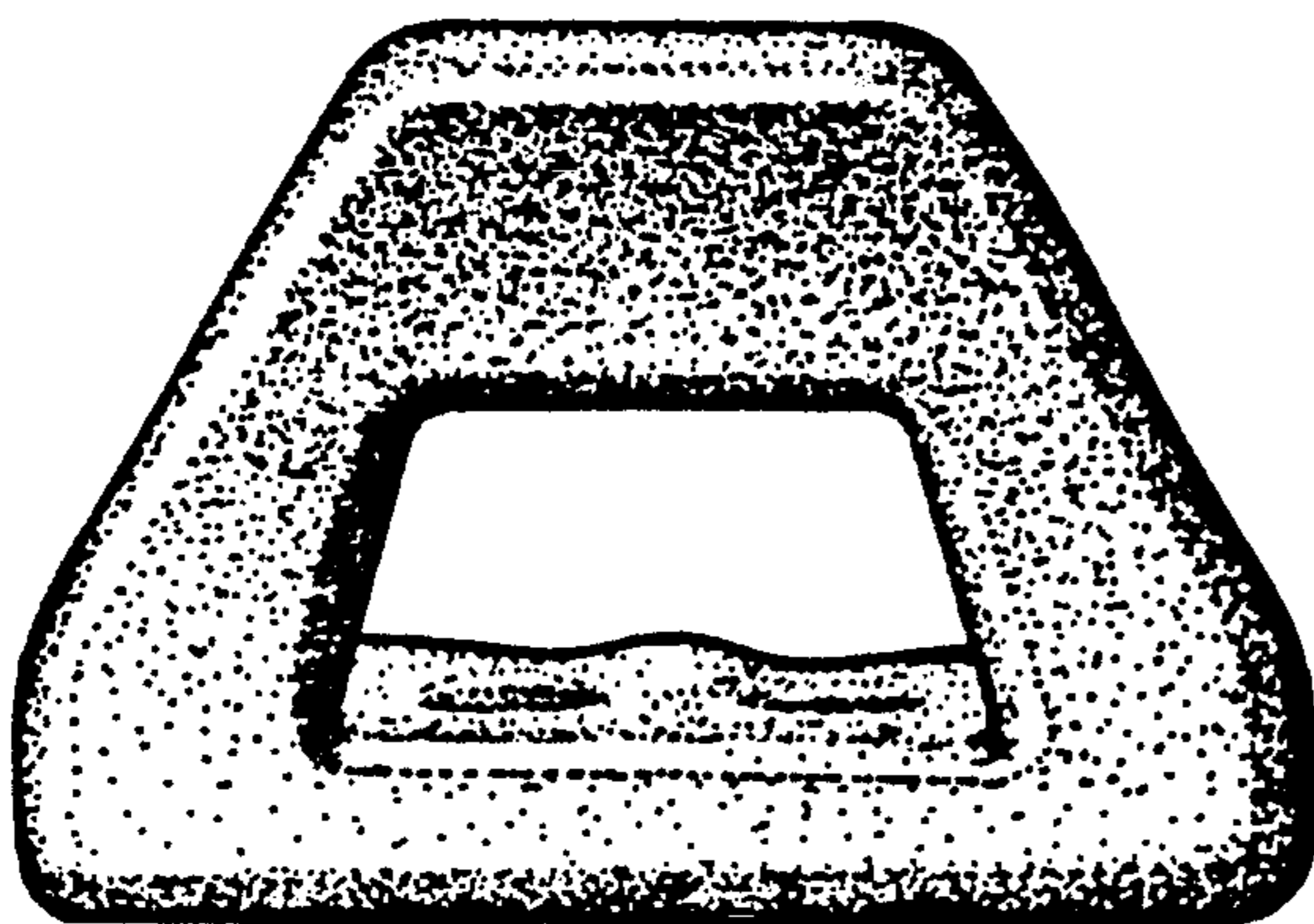


FIG. 5