

[54] TOY GARAGE

3,593,454 7/1971 Einfalt ..... D21/118

[76] Inventor: Patrick Rylands, 76a Belsize Park Gardens, London, NW3 4NG, England

[\*\*] Term: 14 Years

[21] Appl. No.: 369,287

[22] Filed: Jun. 21, 1989

[30] Foreign Application Priority Data

Dec. 20, 1988 [CH] Switzerland ..... DM-012518

[52] U.S. Cl. .... D21/118

[58] Field of Search ..... D21/59, 114-119; 446/476, 477, 479, 487, 491

[56] References Cited

U.S. PATENT DOCUMENTS

- D. 208,096 7/1967 Ostrander ..... D21/118
- D. 232,575 8/1974 Langieri ..... D21/114
- D. 233,457 10/1974 Stubbmann ..... D21/118

OTHER PUBLICATIONS

Playschool '87 Catalog, p. 35, item #333, "Busy Shapes & Keys House", (Copy in toy Fair '87 box).

Primary Examiner—Charles A. Rademaker

[57] CLAIM

The ornamental design for a toy garage, as shown and described.

DESCRIPTION

FIG. 1 is a front perspective view of a toy garage showing the key of the toy garage exploded from the garage unit and embodying my new design.

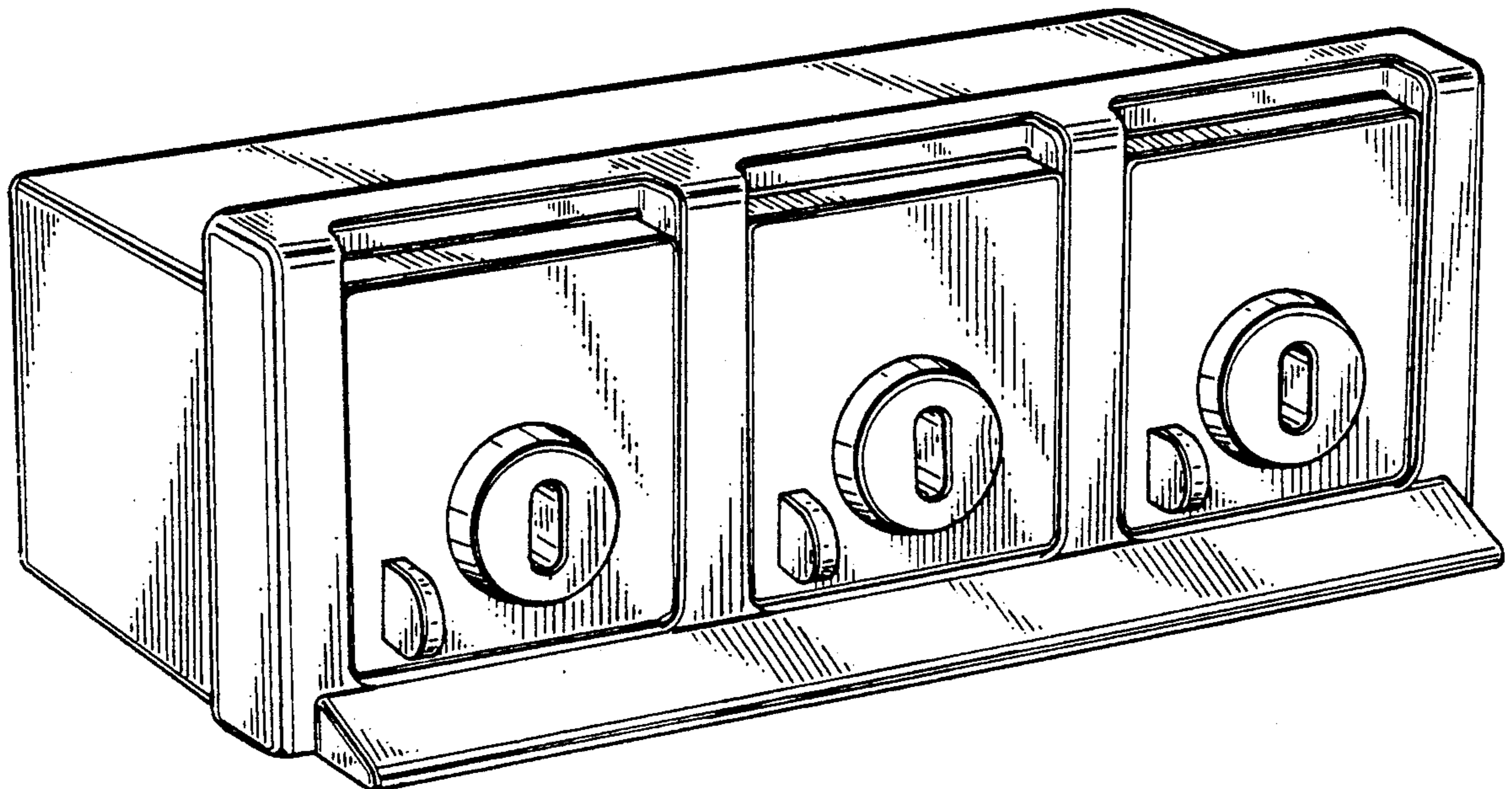
FIG. 2 is a side elevational view thereof; the opposite side being a mirror image.

FIG. 3 is a front elevational view thereof.

FIG. 4 is a top plan view thereof.

FIG. 5 is a bottom plan view thereof.

FIG. 6 is a rear elevational view thereof.



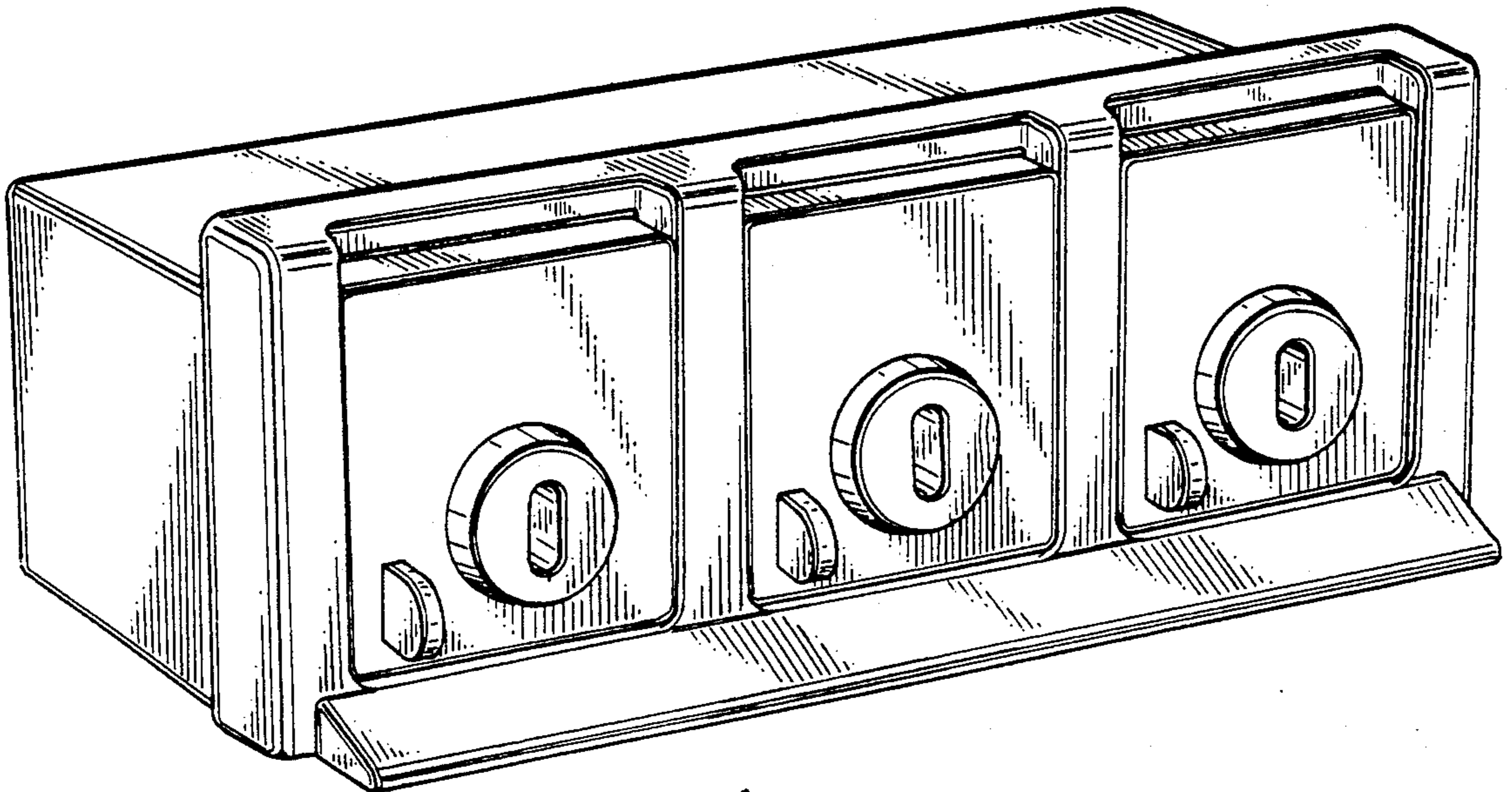


FIG. 1

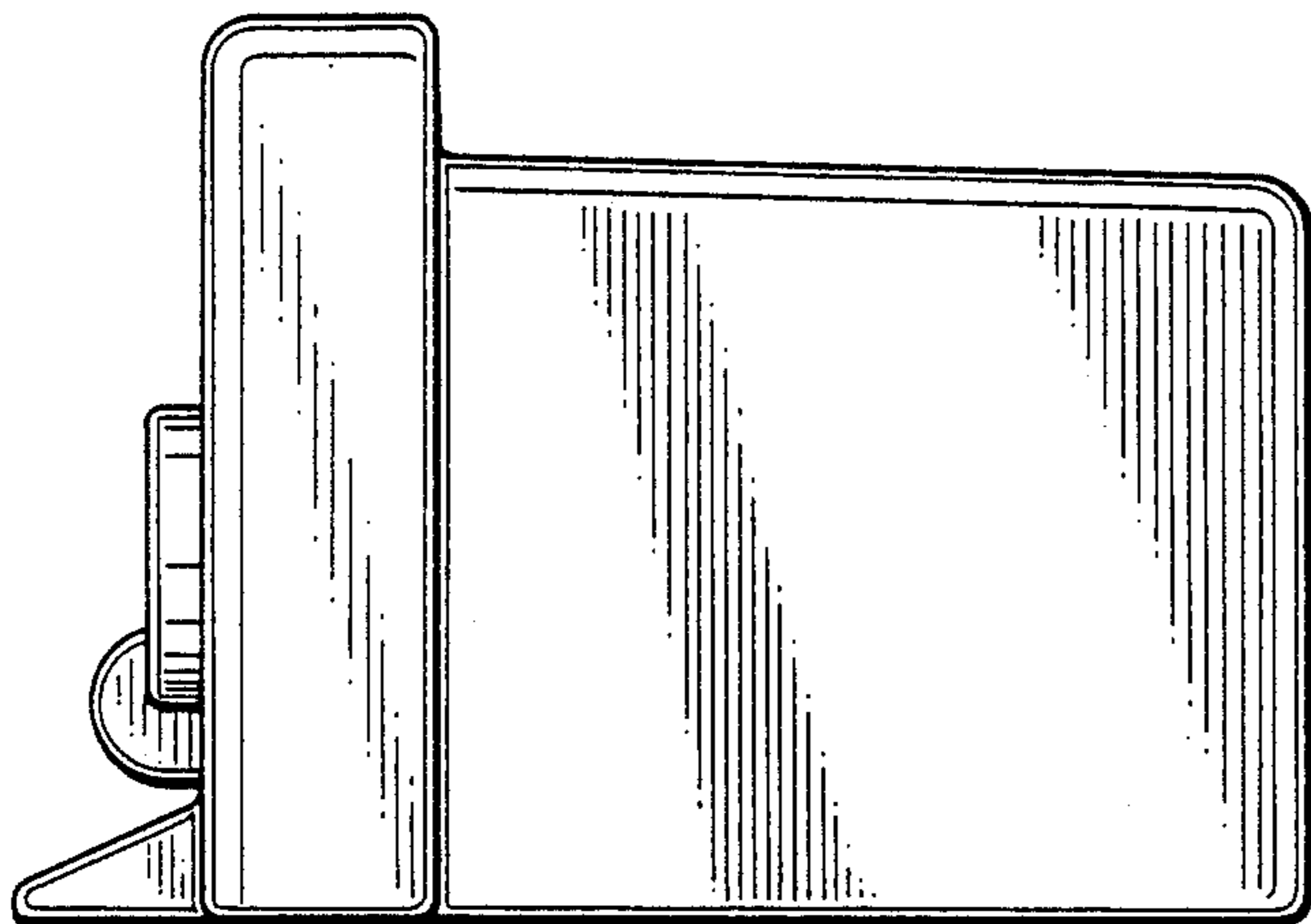


FIG. 2

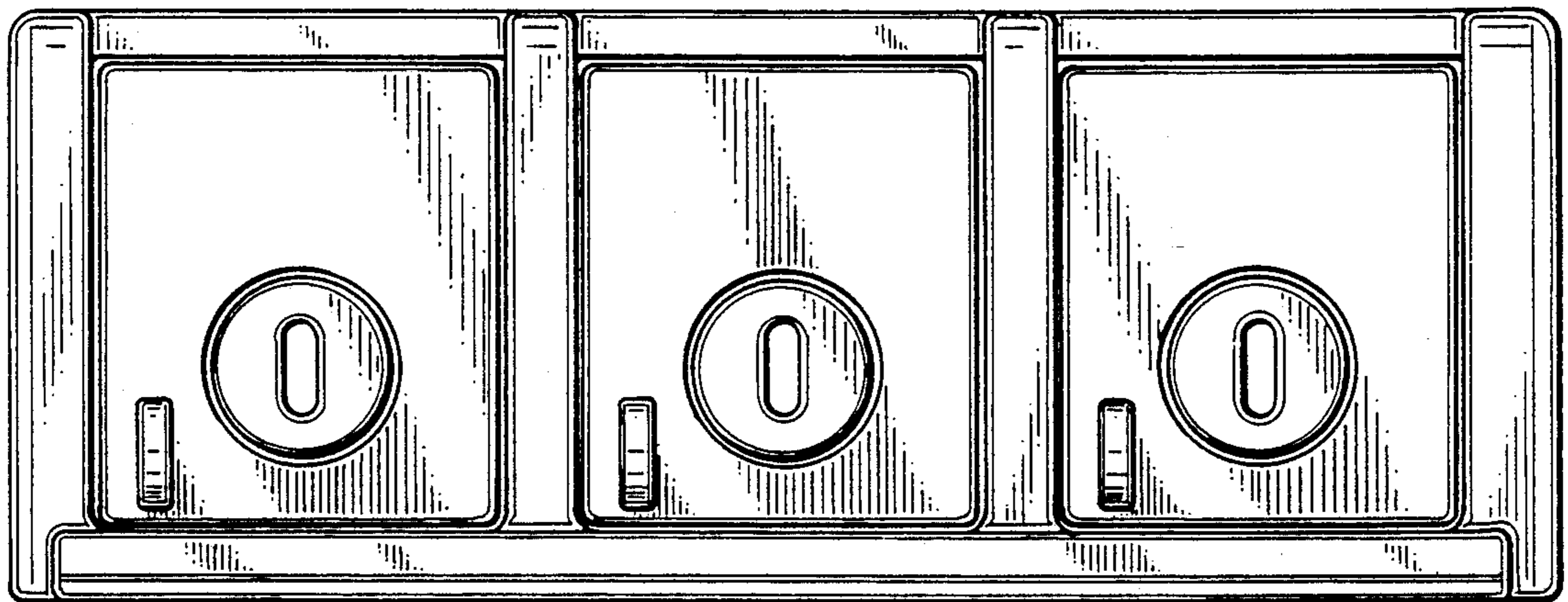


FIG. 3

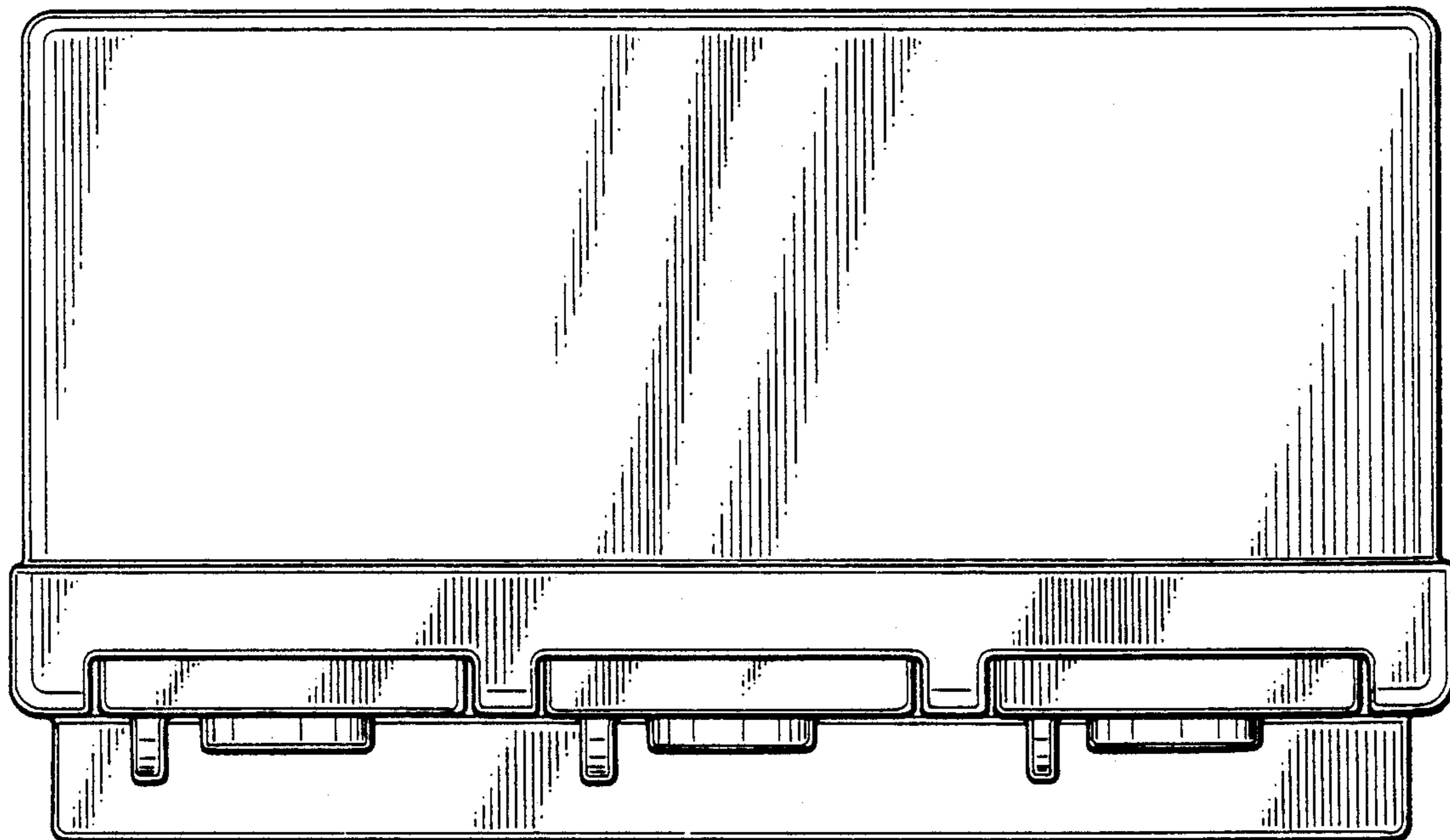


FIG. 4

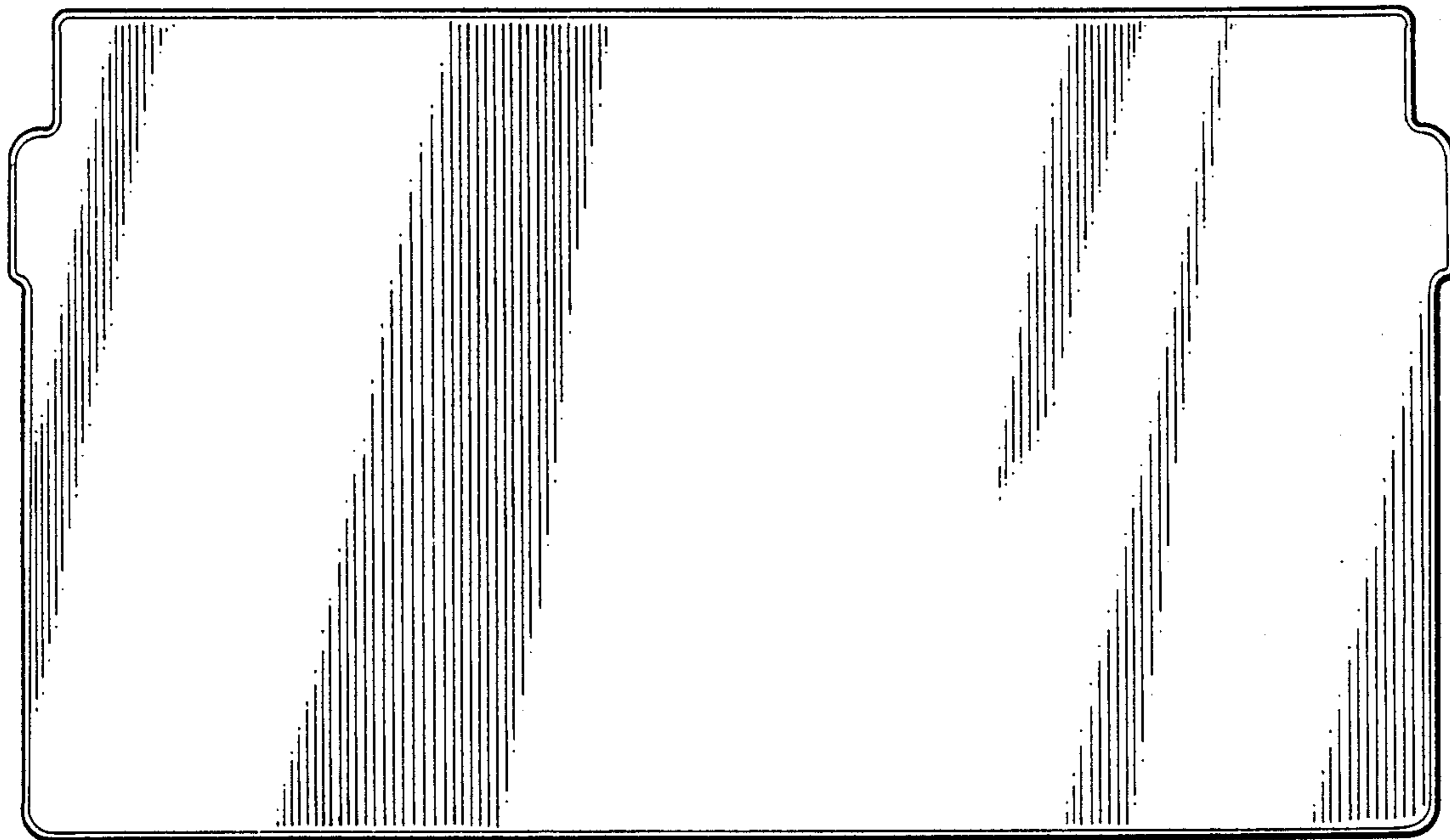


FIG. 5

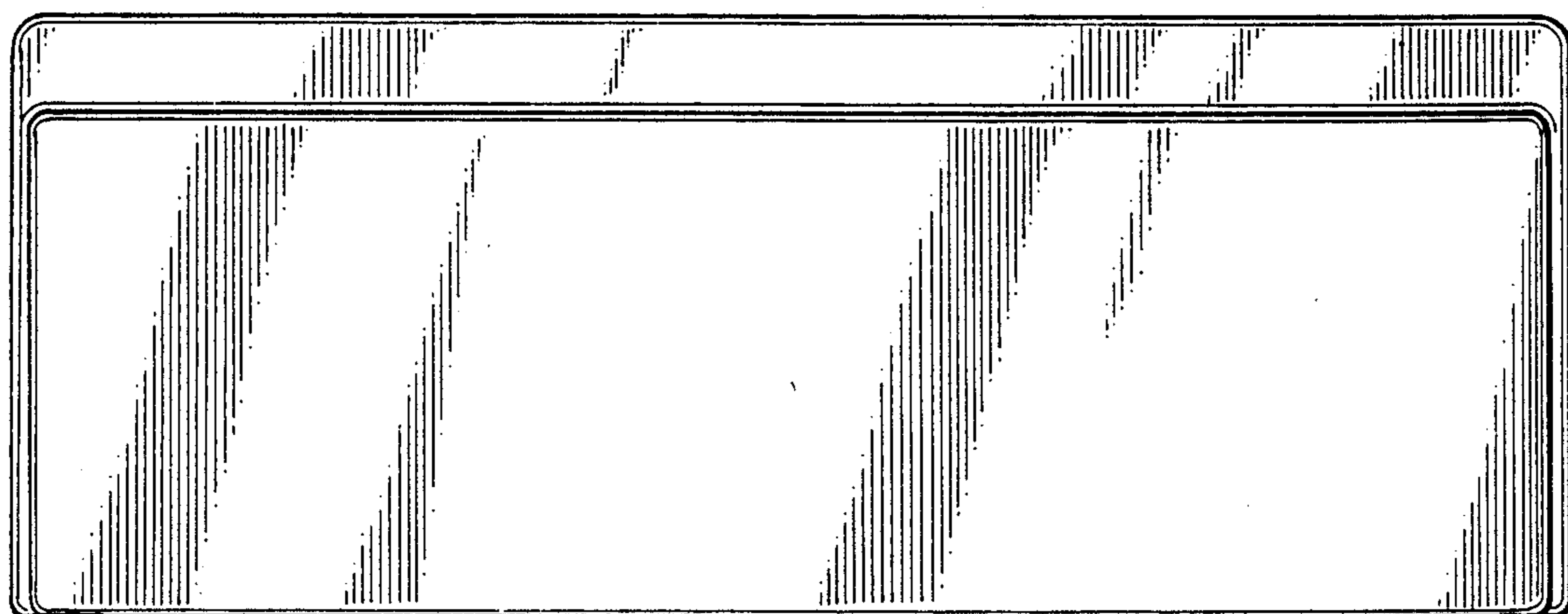


FIG. 6