

[54] WHEELED ACTIVITY TOY

[75] Inventors: John A. Pape, Hitchin; David M. Raffo, Chester; Harry S. Thomson, Richmond, all of England

[73] Assignee: Hestair Kiddicraft Limited, Bristol, England

[**] Term: 14 Years

[21] Appl. No.: 354,693

[22] Filed: May 19, 1989

[30] Foreign Application Priority Data

Nov. 22, 1988 [GB] United Kingdom 1055140

[52] U.S. Cl. D21/59; D21/64; D21/128

[58] Field of Search D21/59, 63, 64, 65; D19/59, 60, 62, 64; 434/258, 259, 260; 446/227, 236, 237, 397, 404, 409, 491

[56] References Cited

U.S. PATENT DOCUMENTS

- D. 262,549 1/1982 Clanton D21/59
- D. 274,921 7/1984 Nakao et al. D21/64
- D. 280,649 9/1985 Iwaduchi D21/59

Primary Examiner—Charles A. Rademaker

[57] CLAIM

The ornamental design for a wheeled activity toy, as shown and described.

DESCRIPTION

FIG. 1 is a perspective view of a wheeled activity toy showing our new design.

FIG. 2 is a front elevational view thereof.

FIG. 3 is a rear elevational view thereof.

FIG. 4 is a left side elevational view thereof.

FIG. 5 is a right side elevational view thereof.

FIG. 6 is a top plan view thereof.

FIG. 7 is a bottom plan view thereof.

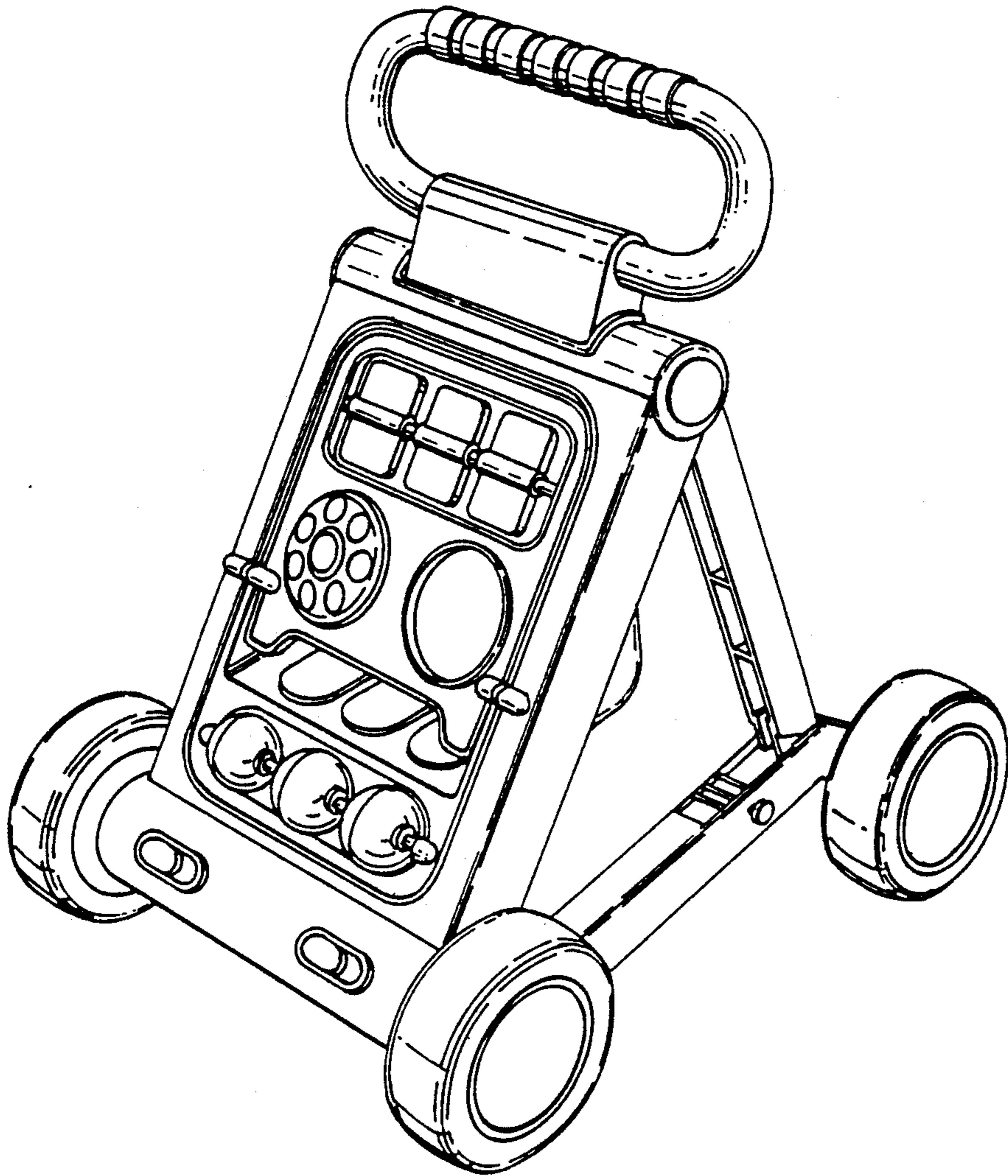
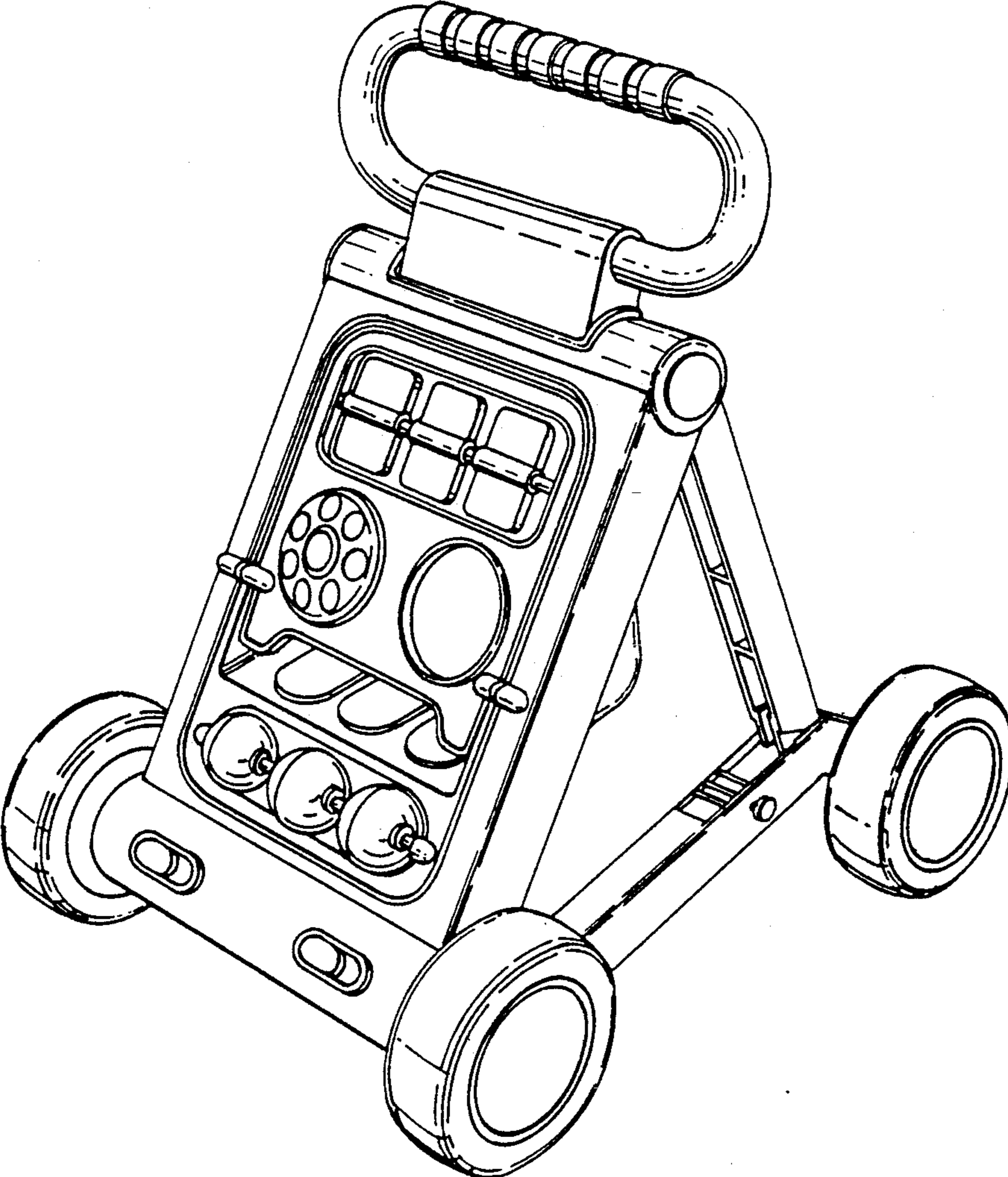


FIG. 1



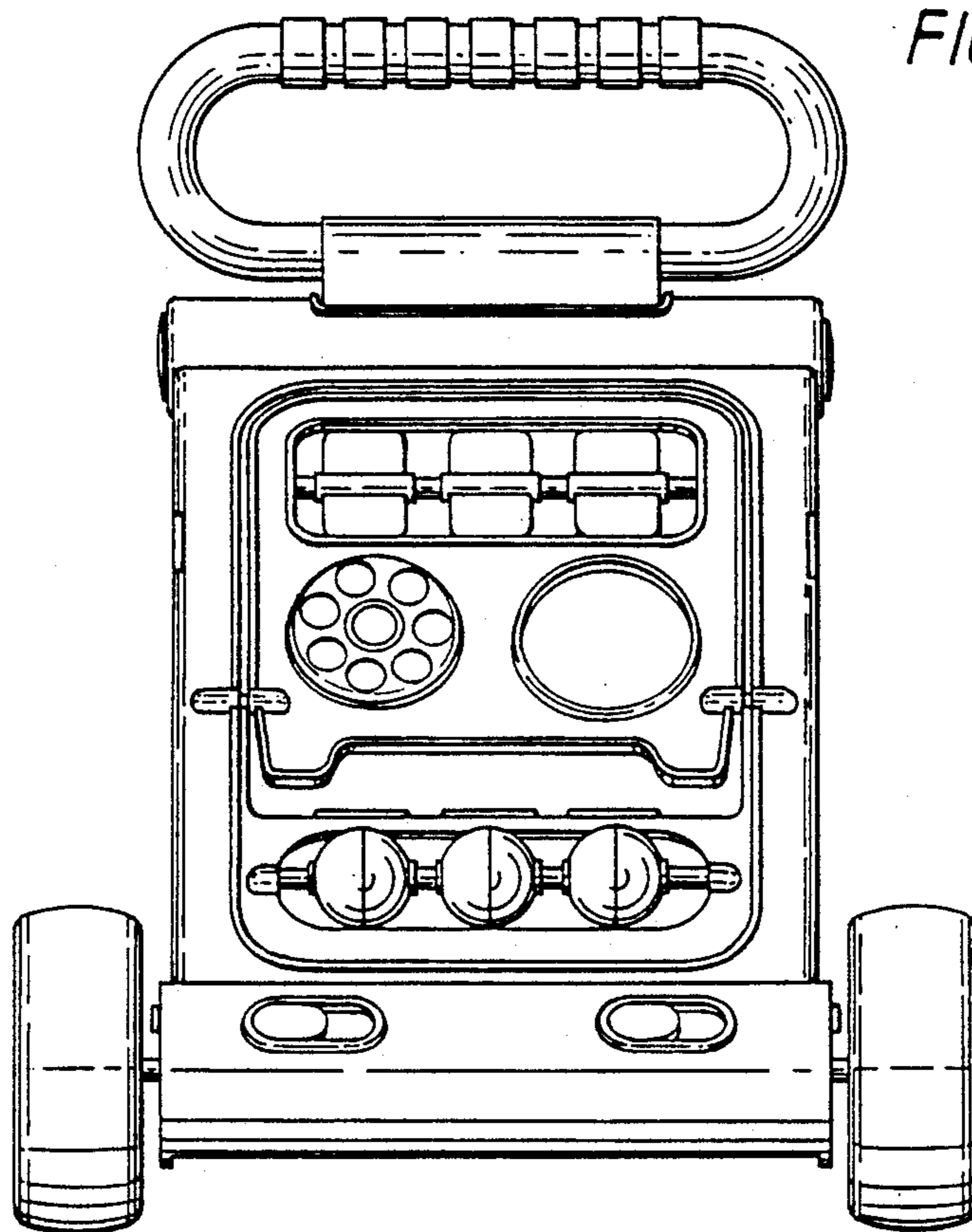


FIG. 2

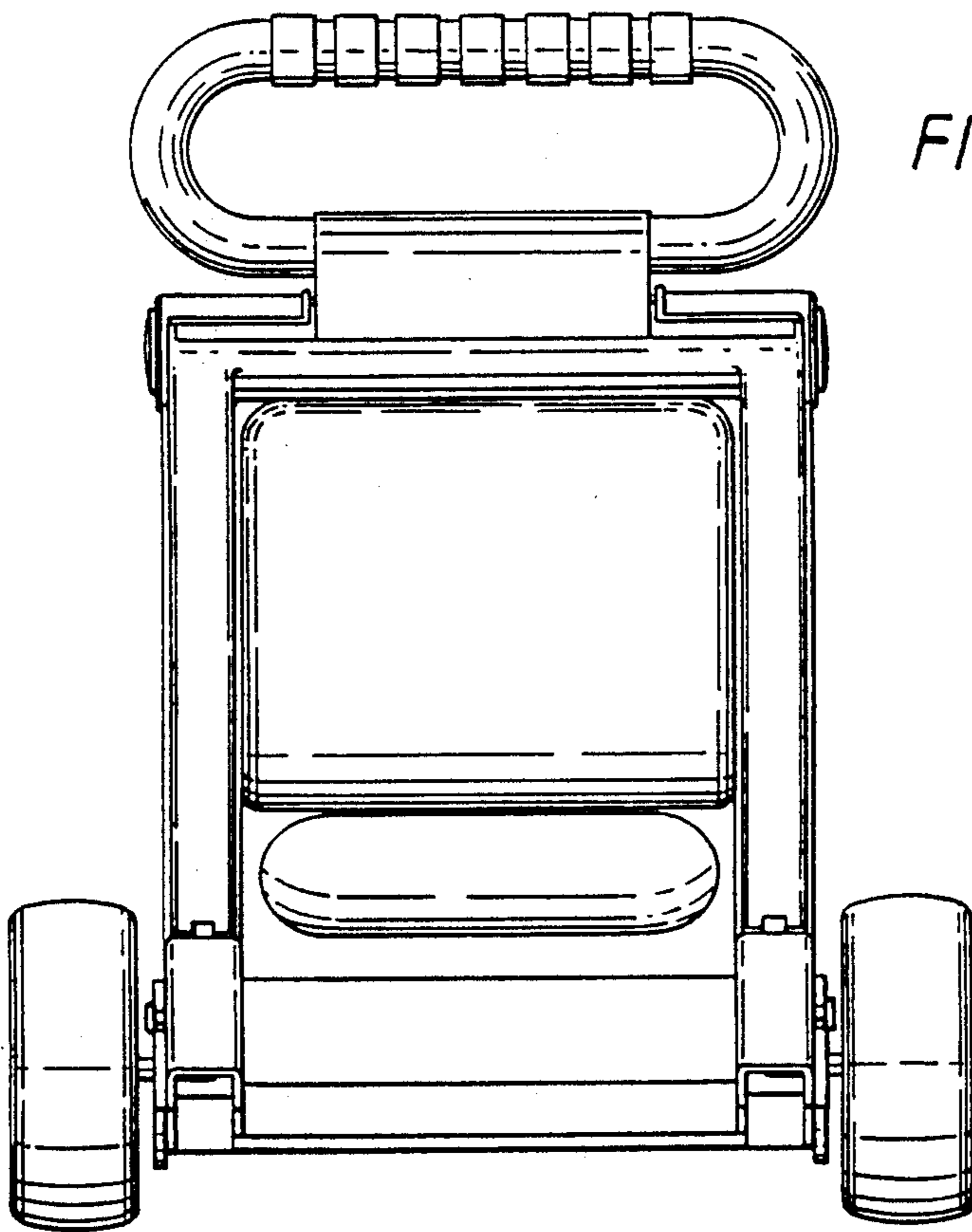
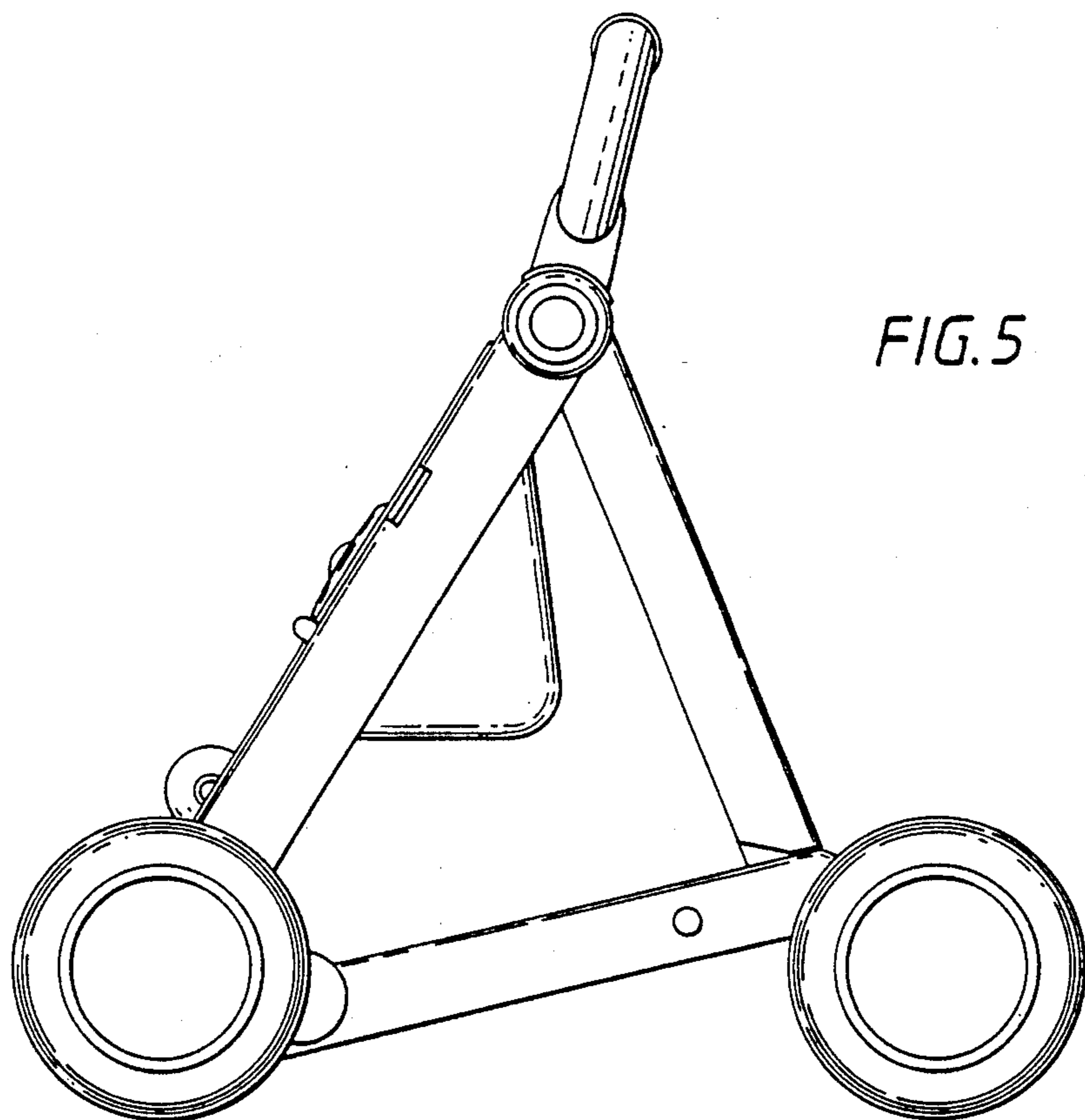
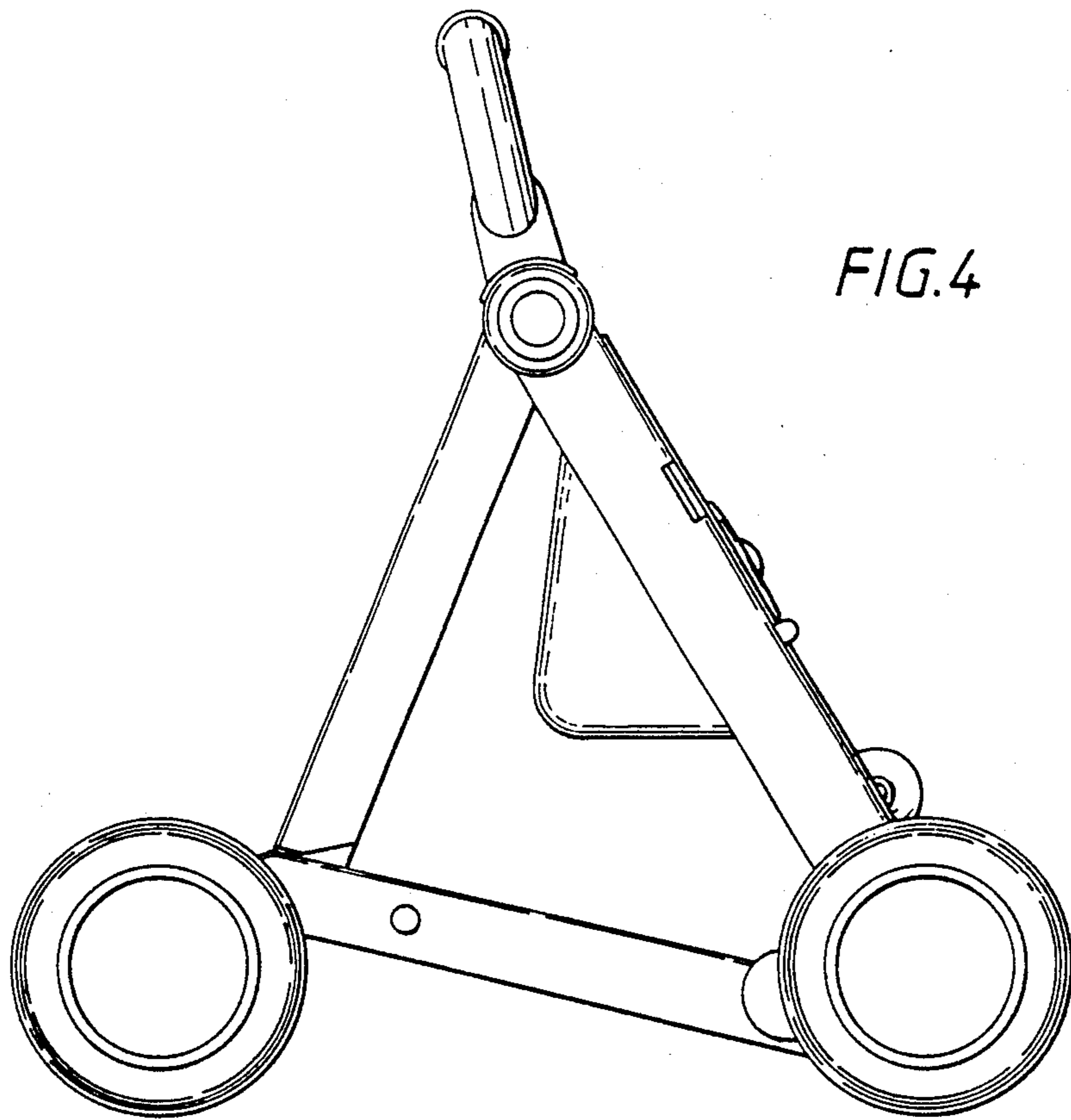


FIG. 3



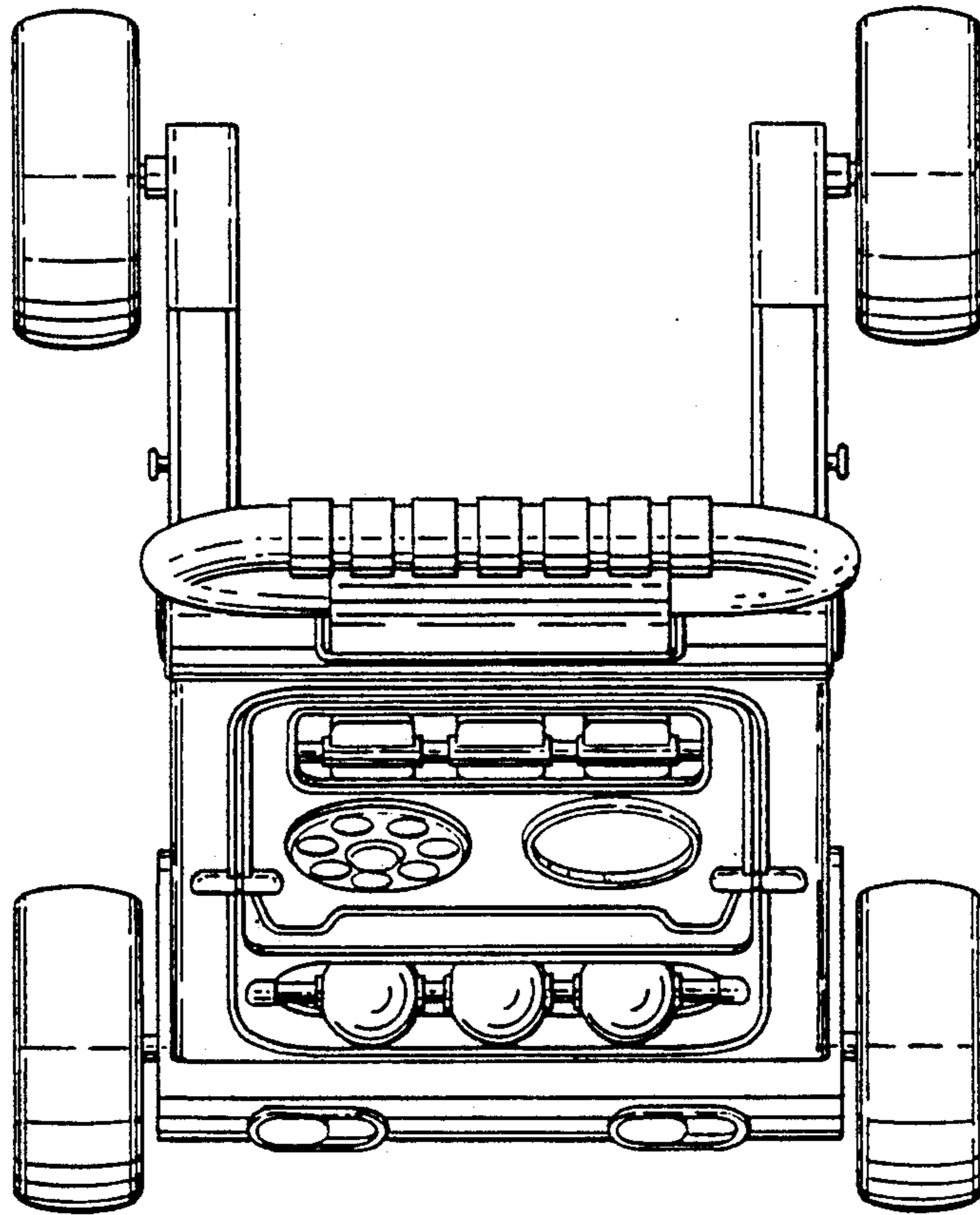


FIG. 6

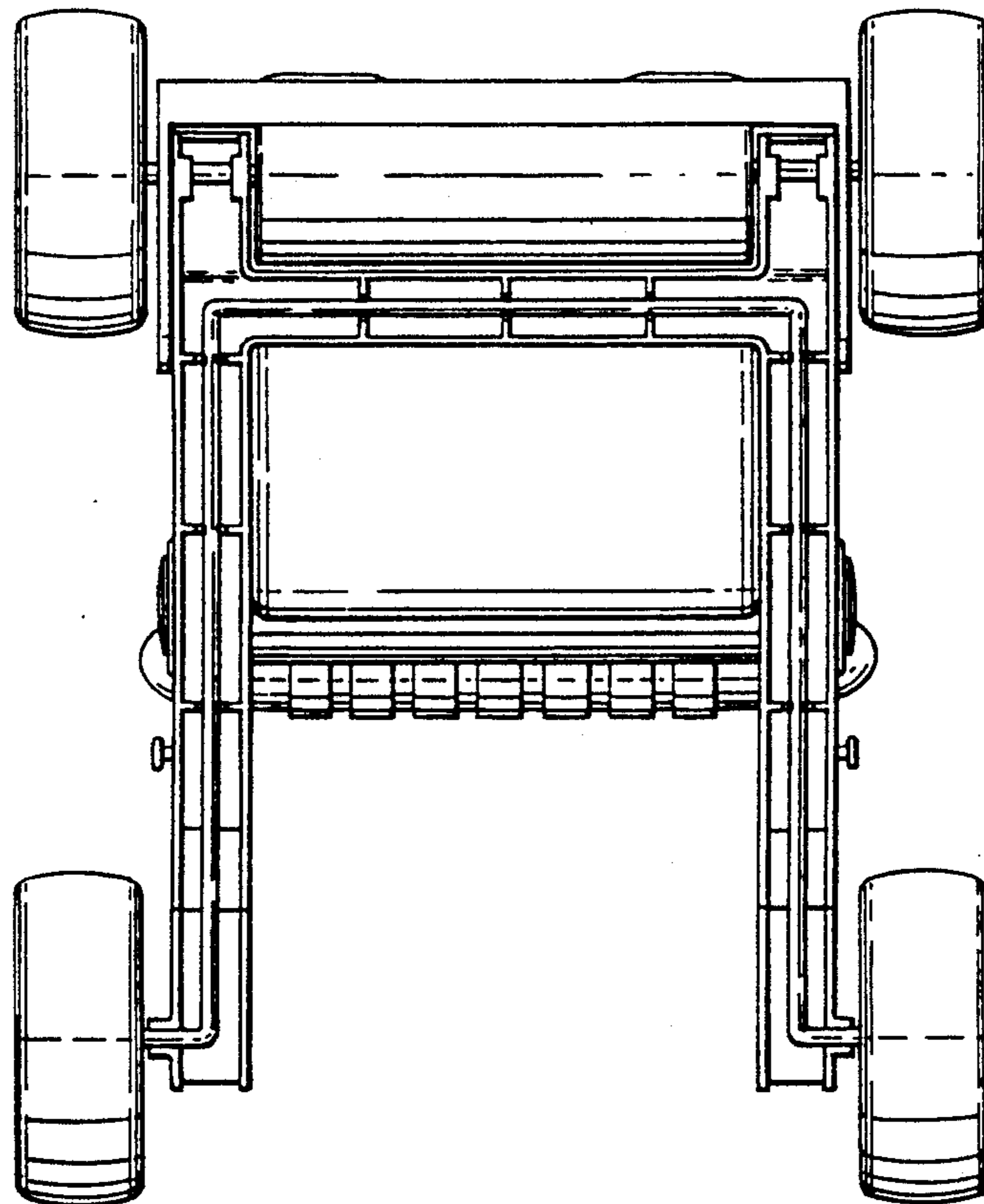


FIG. 7