

[54] ELECTRONIC TOY

[75] Inventor: Neal B. Shamis, Northbrook, Ill.

[73] Assignee: Stork Patrol, Inc., Northbrook, Ill.

[**] Term: 14 Years

[21] Appl. No.: 372,947

[22] Filed: Jun. 28, 1989

[52] U.S. Cl. D21/48

[58] Field of Search D21/48, 1, 13;
273/85 G, 1 E, 1 ES, 1 GC, 148 B, 138 A;
D13/158, 162, 168

[56] References Cited

U.S. PATENT DOCUMENTS

D. 255,563	6/1980	Brooksby et al.	D13/162 X
D. 256,139	7/1980	Venditti et al.	D21/1
D. 264,356	5/1982	Nagel	D21/13
D. 265,571	7/1982	Nagel	D21/13
4,418,917	12/1983	Jalali et al.	273/85 G X
4,978,129	12/1990	Komeda et al.	273/85 G X

OTHER PUBLICATIONS

Sears 1980 Catalog, front page, top center of the page.
Sears Toys 1985, p. 494, top right of the page, Item No. 2.

Playthings, 2/1981, p. 12, Cosmos Item.

Primary Examiner—Bernard Ansher

Assistant Examiner—Prabhakar Deshmukh

Attorney, Agent, or Firm—Jerry A. Schulman

[57] CLAIM

The ornamental design for an electronic toy, as shown.

DESCRIPTION

FIG. 1 is a front elevation of an electronic toy showing my new design;

FIG. 2 is a left side elevation thereof;

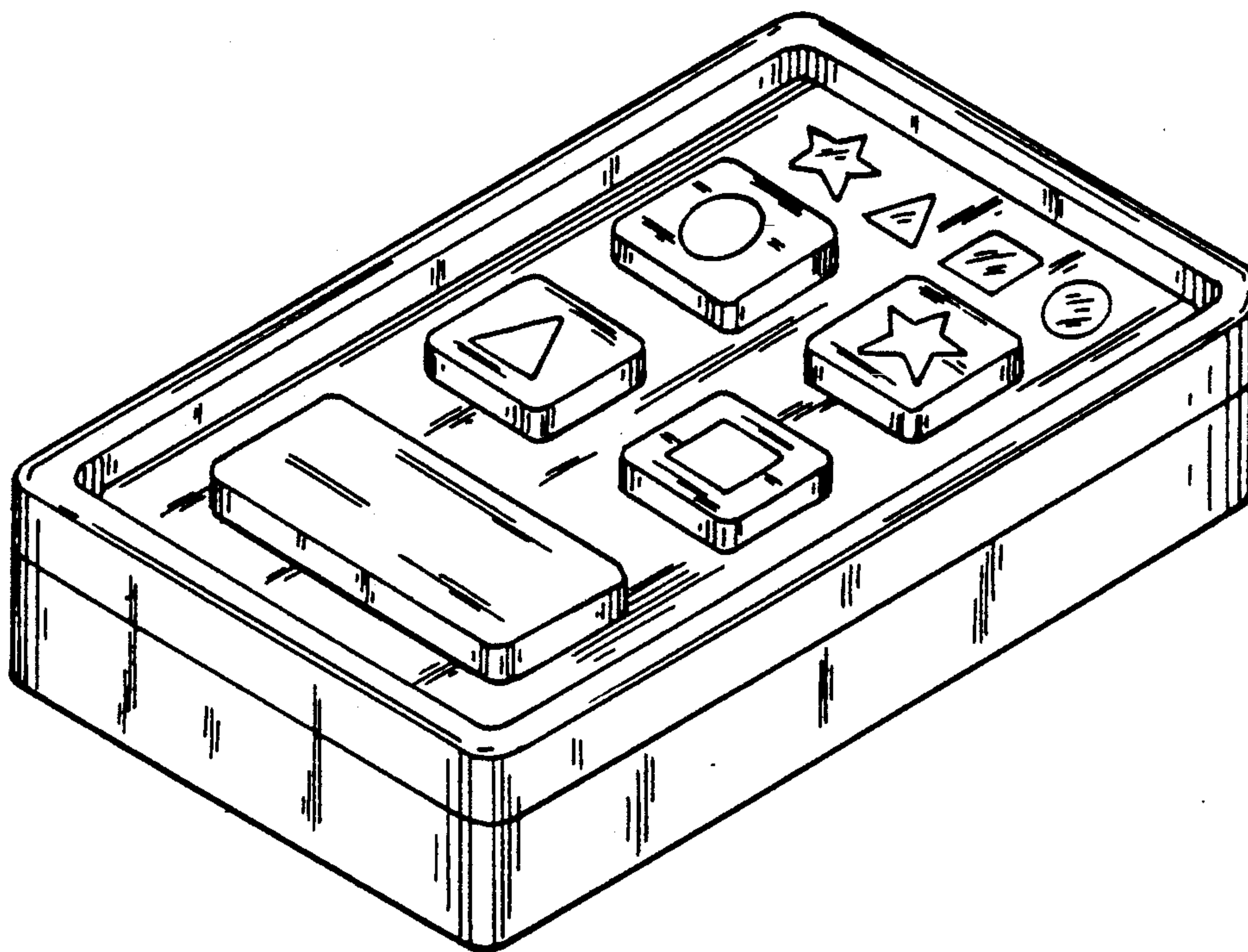
FIG. 3 is a right side elevation thereof;

FIG. 4 is a top plan view thereof;

FIG. 5 is a bottom plan view thereof;

FIG. 6 is a rear elevation thereof; and

FIG. 7 is a perspective view thereof.



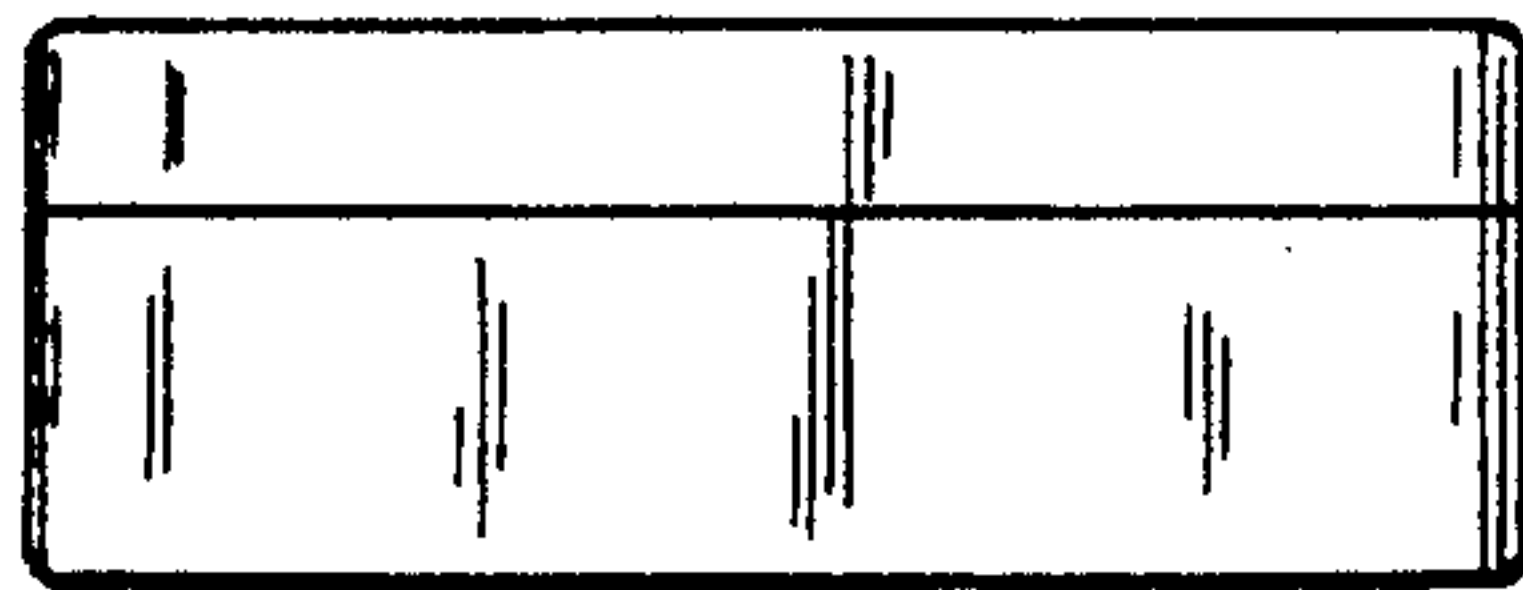


FIG. 4

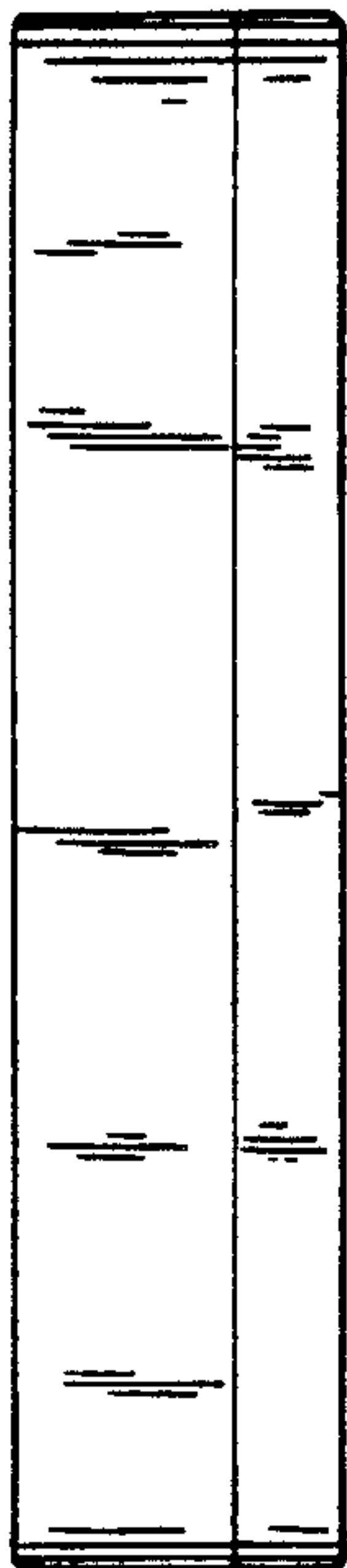


FIG. 2

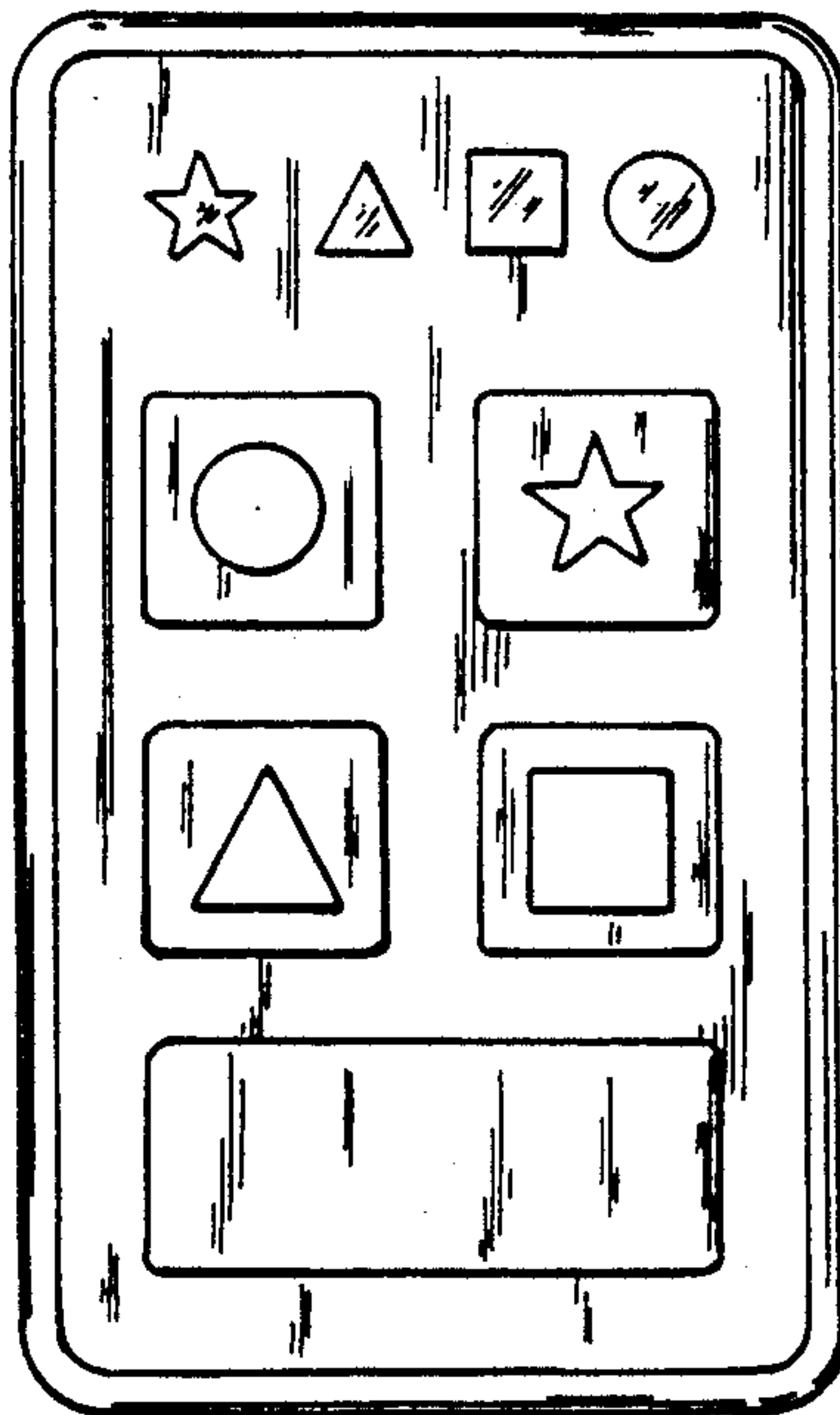


FIG. 1

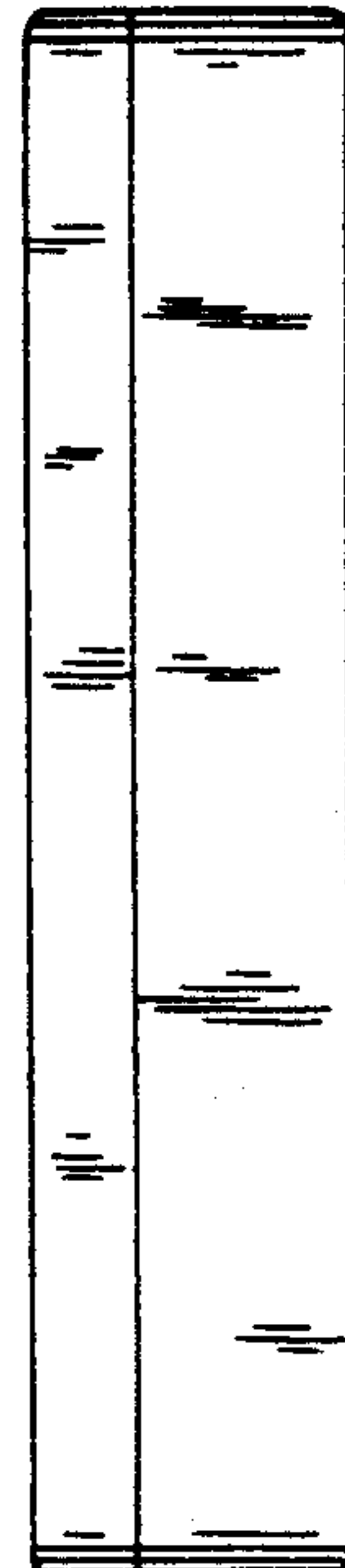


FIG. 3

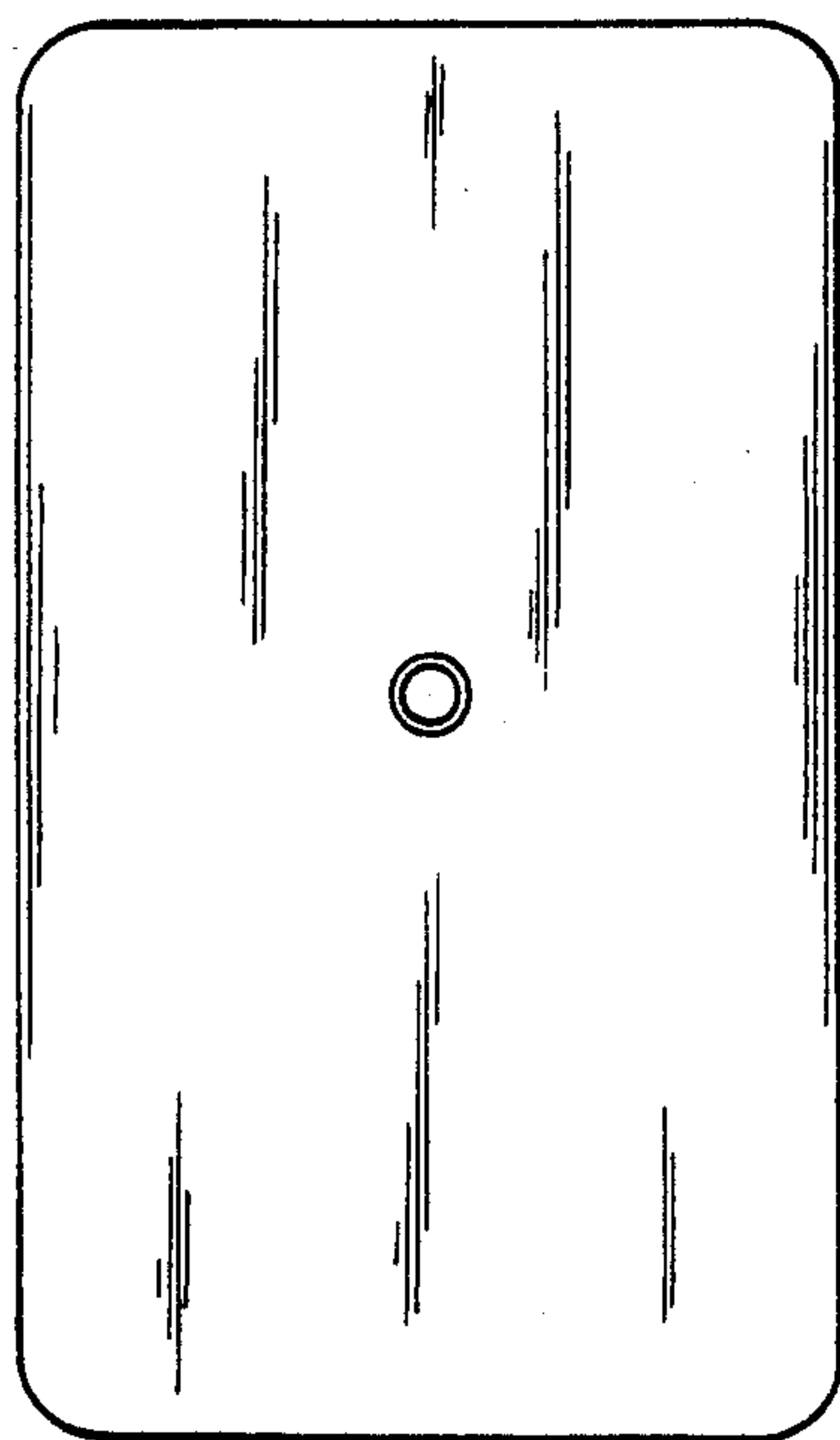


FIG. 6

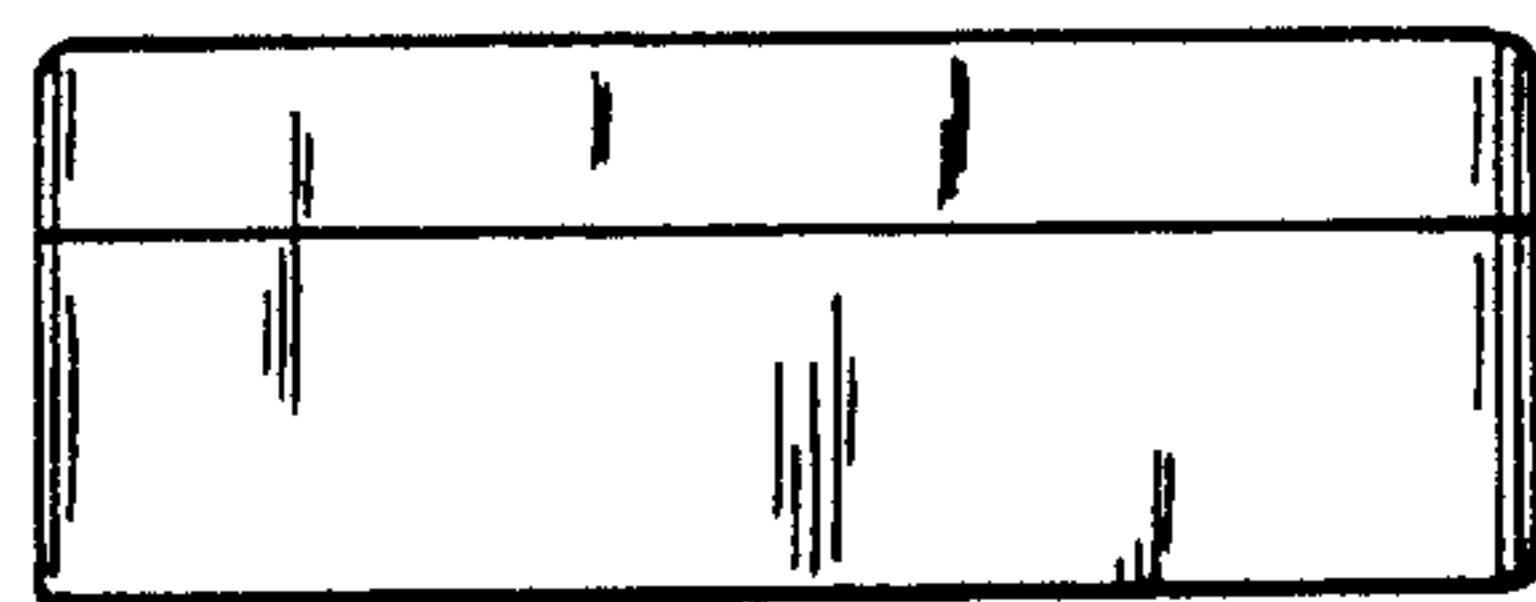


FIG. 5

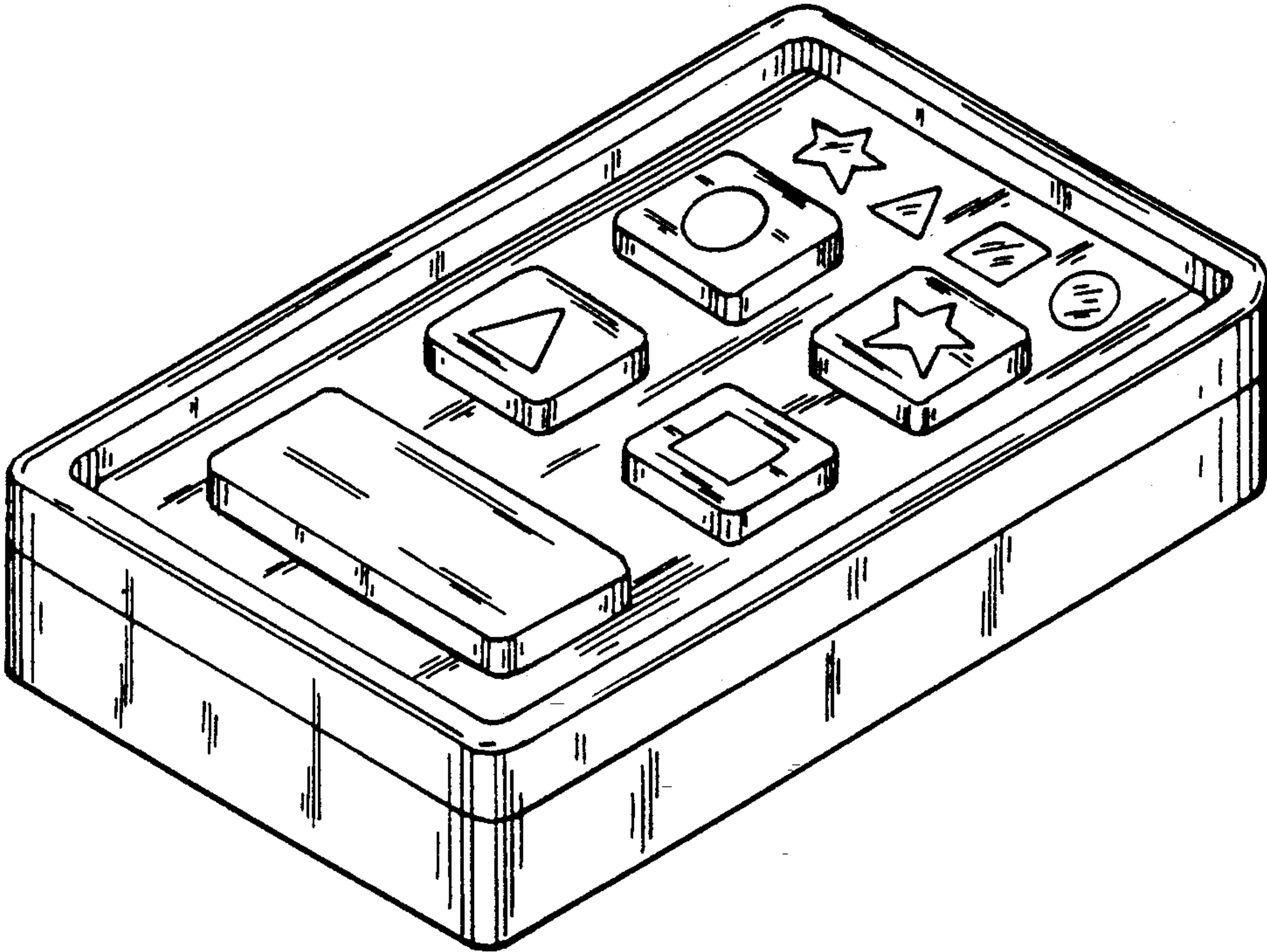


FIG. 7