

[54] CARD TOSSING GAME

2,977,429 3/1961 Zimmerman 273/352 X

[76] Inventors: Dennis E. Olson; Sharon L. Olson,
both of 9942 Liggett St., Bellflower,
Calif. 90706

FOREIGN PATENT DOCUMENTS

1433717 4/1976 United Kingdom 273/352

[**] Term: 14 Years

Primary Examiner—Bernard Ansher
Assistant Examiner—Prabhakar Deshmukh
Attorney, Agent, or Firm—Leon Gildea

[21] Appl. No.: 394,507

[22] Filed: Aug. 16, 1989

[52] U.S. Cl. D21/5

[58] Field of Search D21/5, 3, 7, 8, 9;
273/450, 352, 348, 317

[57] CLAIM

The ornamental design for a card tossing game, as shown and described.

DESCRIPTION

FIG. 1 is a front elevational view of a card tossing game showing our new design;

FIG. 2 is a rear elevational view thereof;

FIG. 3 is a left side elevational view thereof;

FIG. 4 is a right side elevational view thereof;

FIG. 5 is a top plan view thereof; and,

FIG. 6 is a bottom plan view thereof.

[56] References Cited

U.S. PATENT DOCUMENTS

D. 102,423	12/1936	Fuller	D21/3
D. 123,540	11/1940	Johnson	D21/5 X
D. 281,084	10/1985	Norton	D21/5
1,221,803	4/1917	Johnston	273/352
1,834,317	12/1931	Peccerillo	273/352

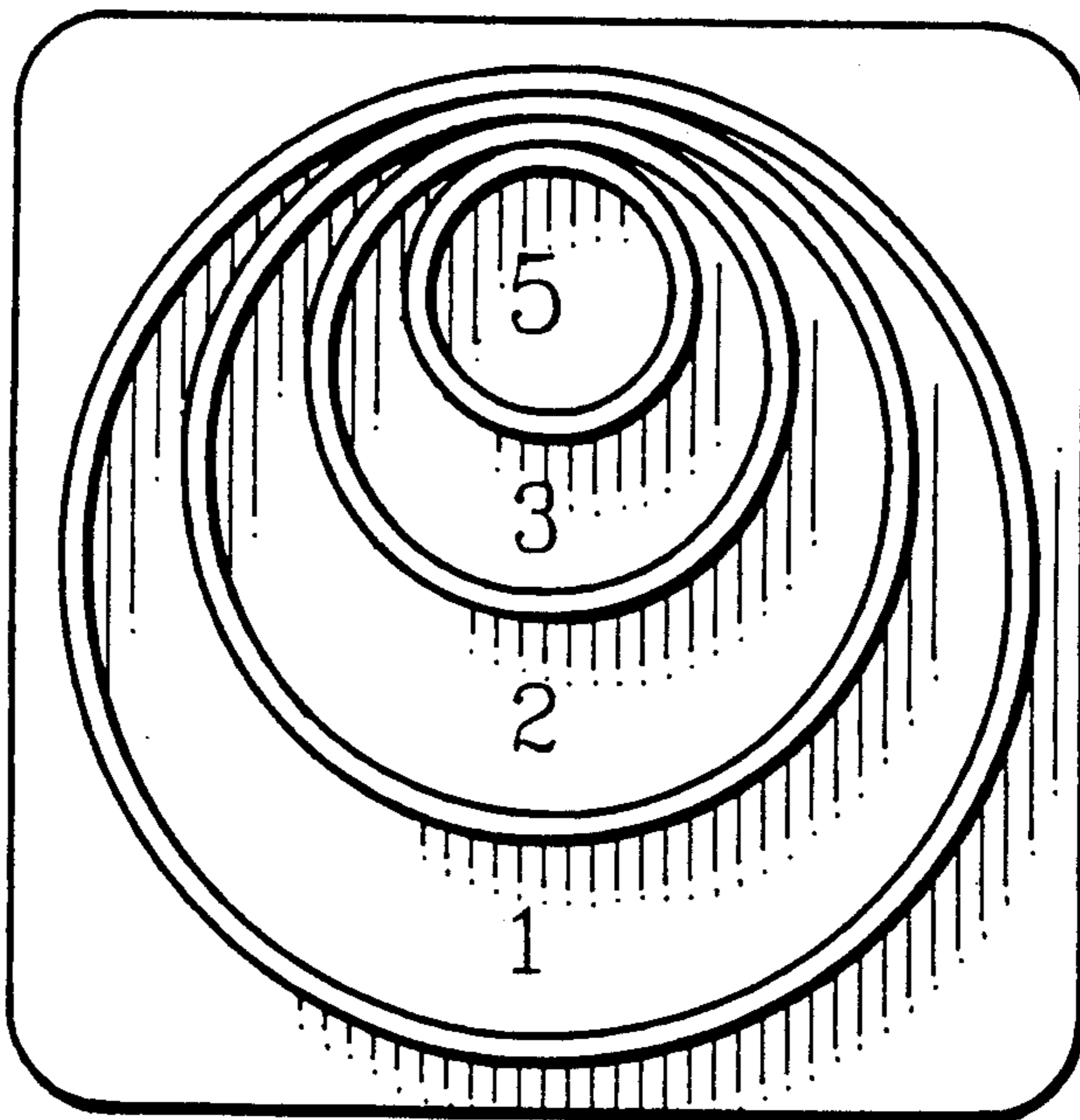


Fig. 1

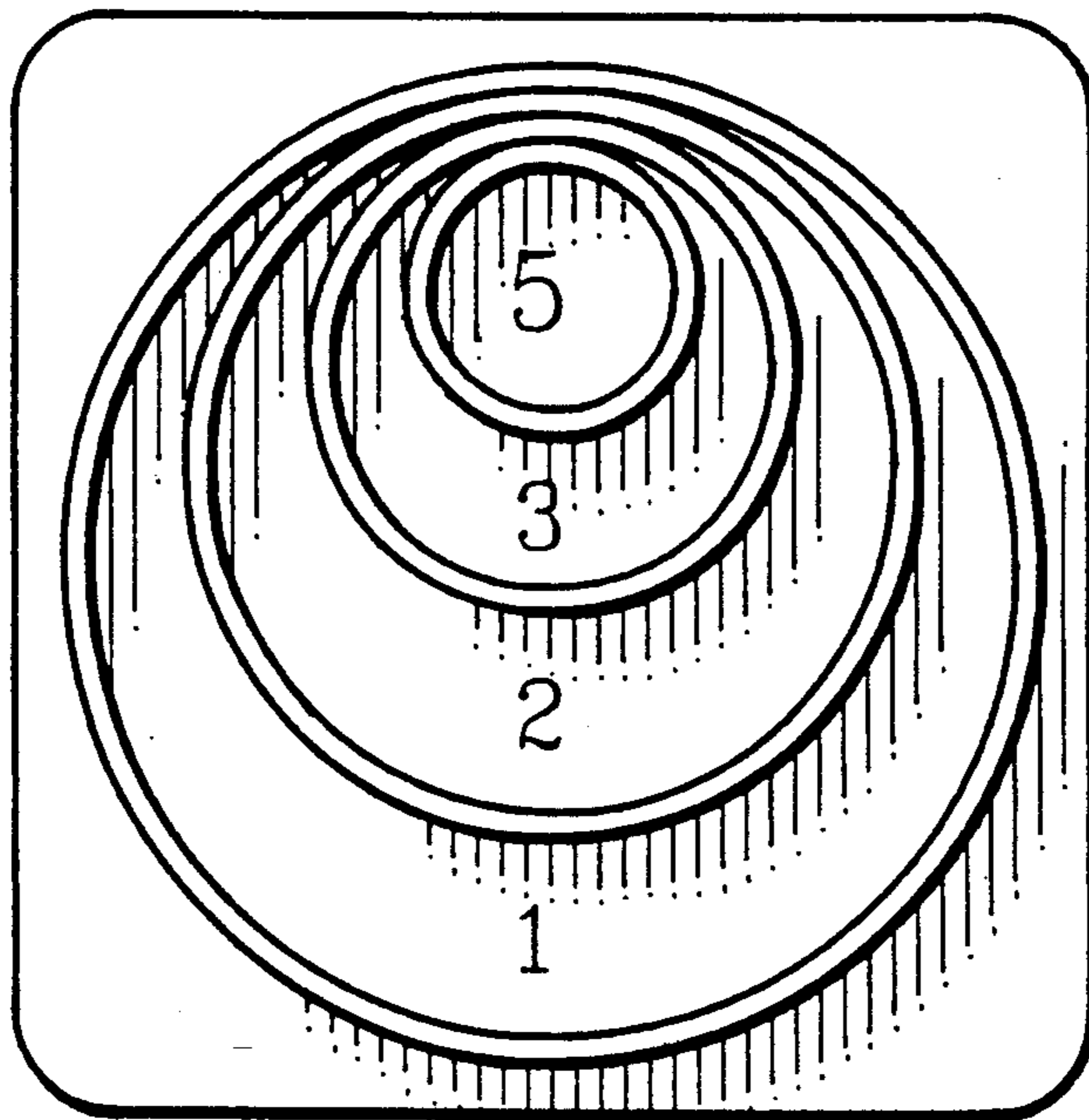
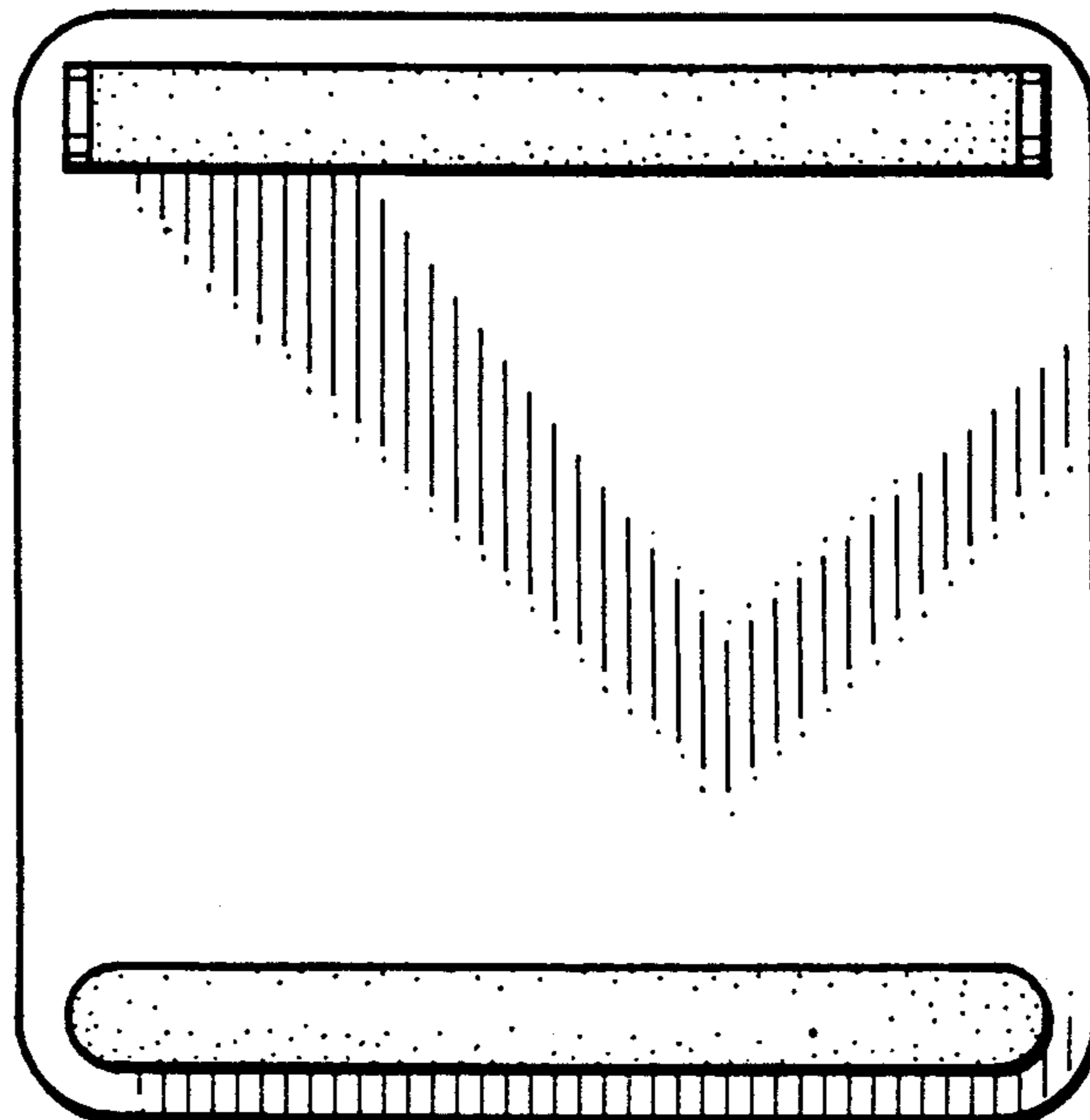


Fig. 2



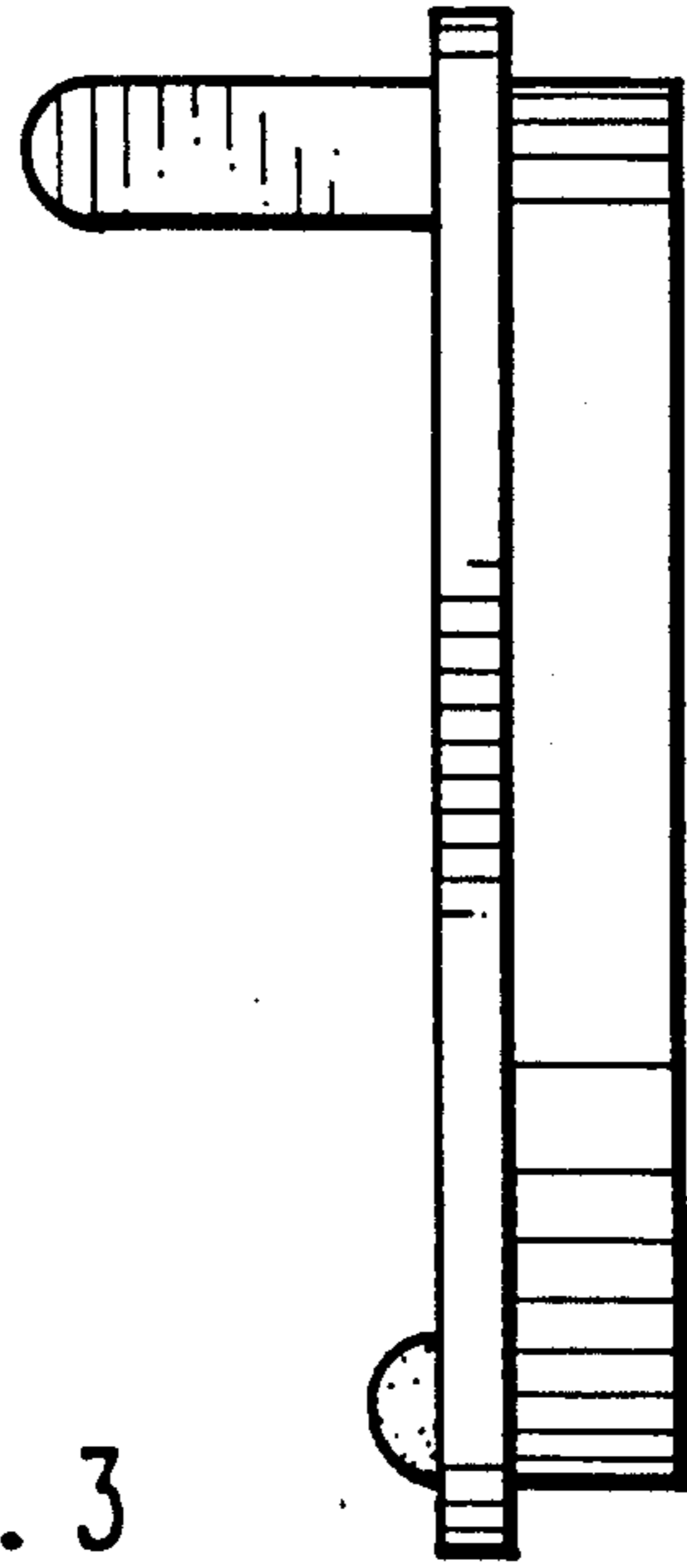


Fig. 3

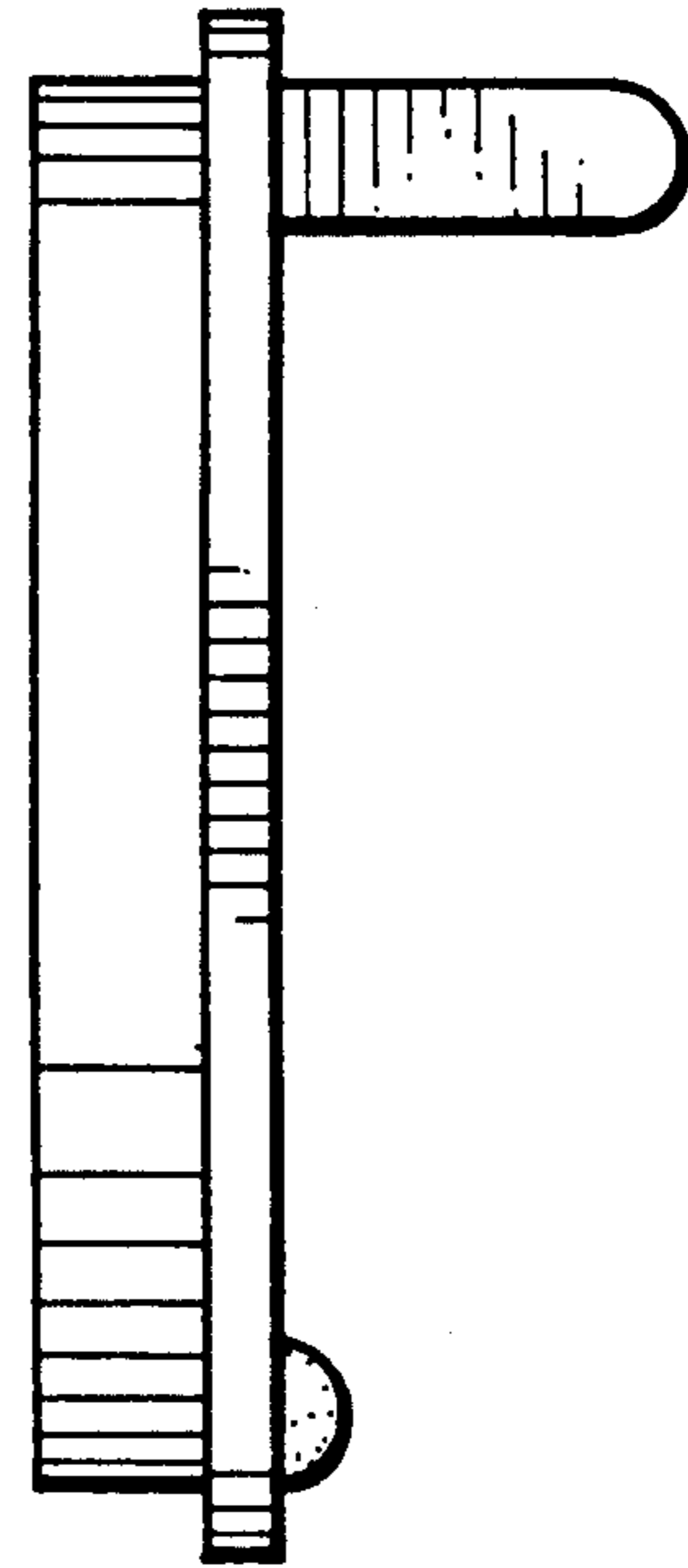


Fig. 4

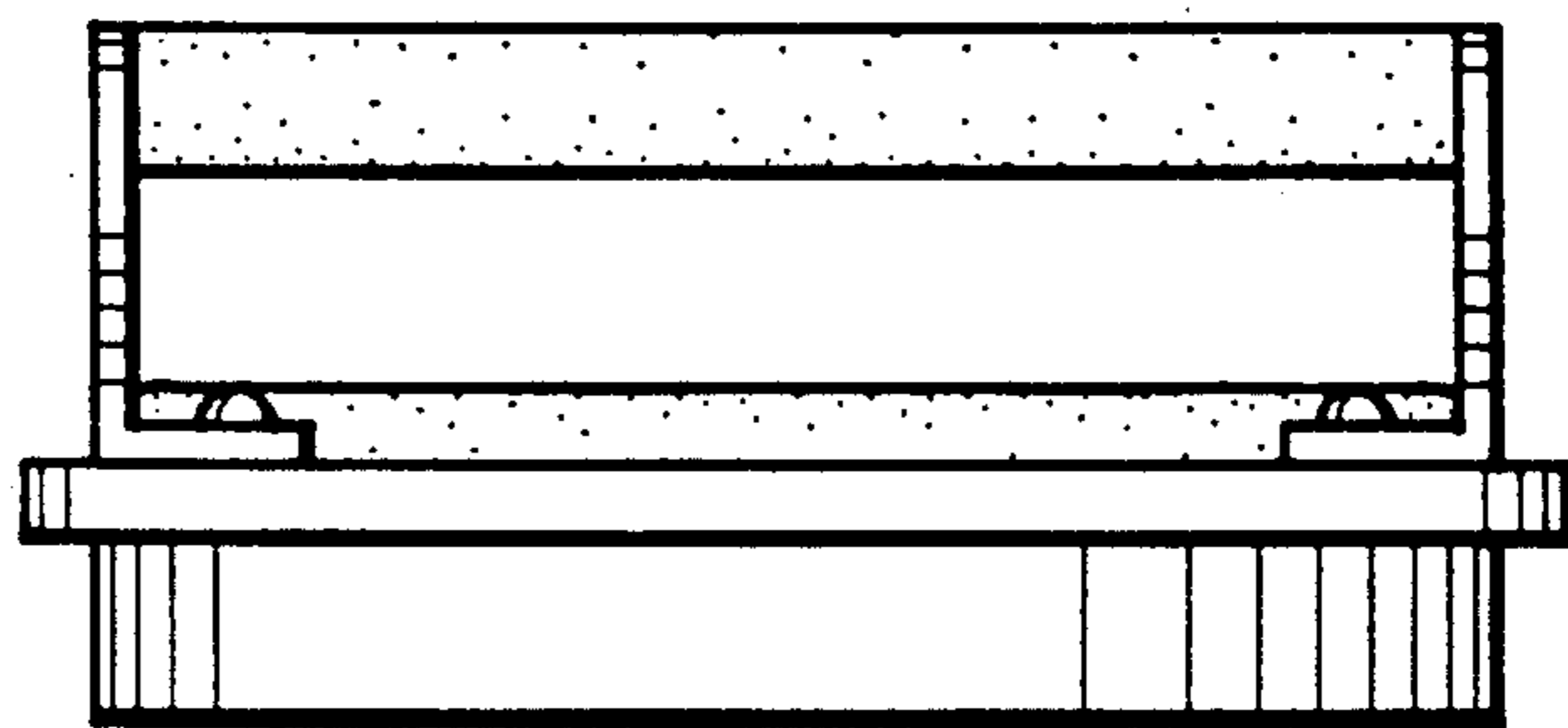


Fig. 5

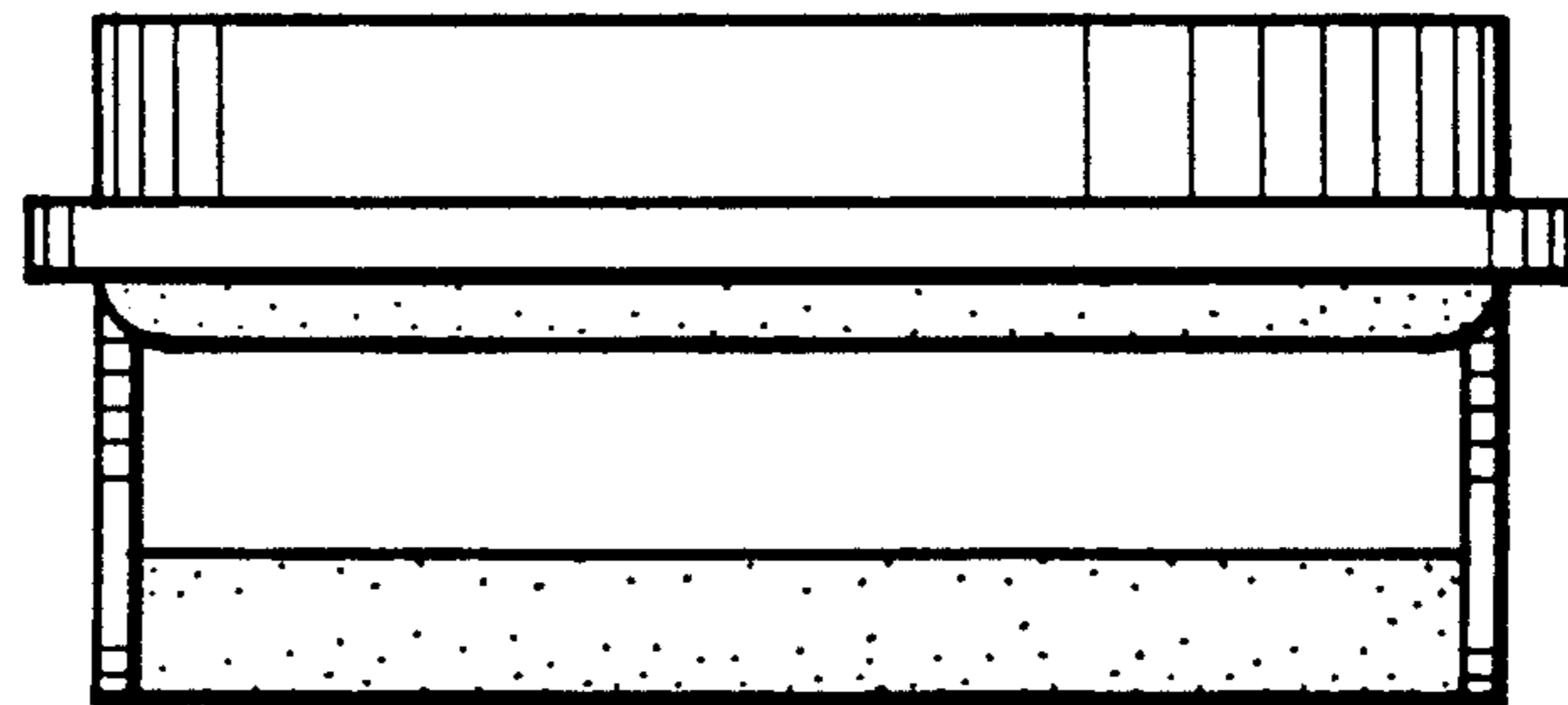


Fig. 6