

[54] MAGAZINE FOR VENDING MACHINE
[75] Inventor: Leif A. Unruh, Malmö, Sweden
[73] Assignee: Aktiebolaget Electrolux, Stockholm, Sweden

[**] Term: 14 Years

[21] Appl. No.: 122,263

[22] Filed: Nov. 18, 1987

[30] Foreign Application Priority Data

May 19, 1987 [SE] Sweden 87-1163

[52] U.S. Cl. D20/8

[58] Field of Search D20/1, 2, 4, 5, 7, 8;
221/197, 39, 63, 41, 155, 216, 227, 236, 287,
155, 256, 266; 271/145, 162, 164

[56] References Cited

U.S. PATENT DOCUMENTS

2,711,241 6/1955 Abrahamson 221/256 X
3,144,113 8/1964 Peterson 221/266 X

3,174,646 3/1965 Johnson 221/266 X
3,512,679 5/1970 Stoltz 221/155 X
3,936,044 2/1976 Kramer 221/242 X
4,265,441 5/1981 Jonas 271 X/164 X
4,869,395 9/1989 Rubbmark 221/197 X

Primary Examiner—James R. Largen
Attorney, Agent, or Firm—Pearne, Gordon, McCoy & Granger

[57] CLAIM

The ornamental design for a magazine for vending machine, as shown and described.

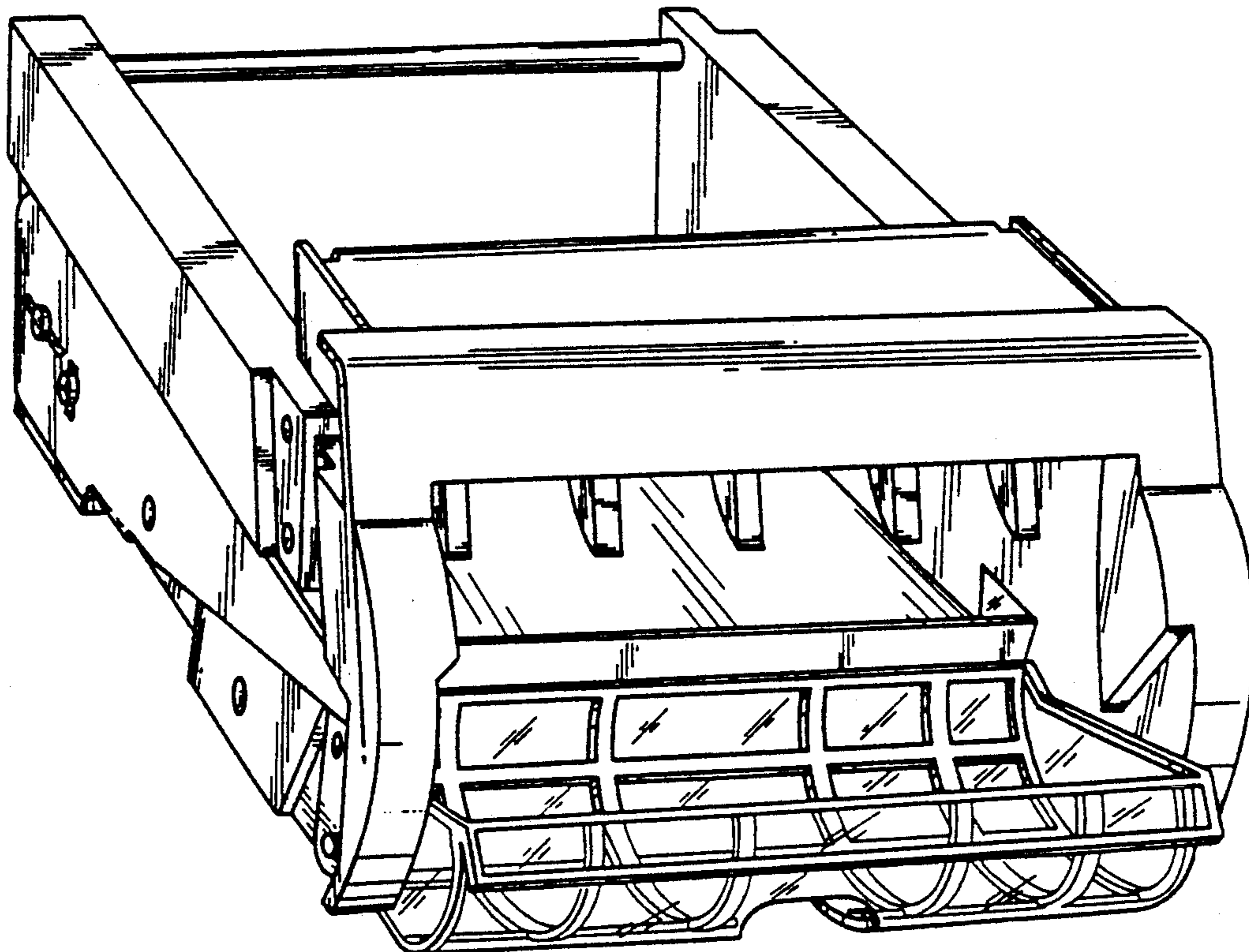
DESCRIPTION

FIG. 1 is a perspective view taken from the top, front and left side of a magazine for vending machine showing my new design with the magazine door partially open;

FIG. 2 is a perspective view taken from the top, rear and left side thereof, showing the magazine door closed;

FIG. 3 is a bottom plan view thereof; and

FIG. 4 is a right side elevational view thereof.



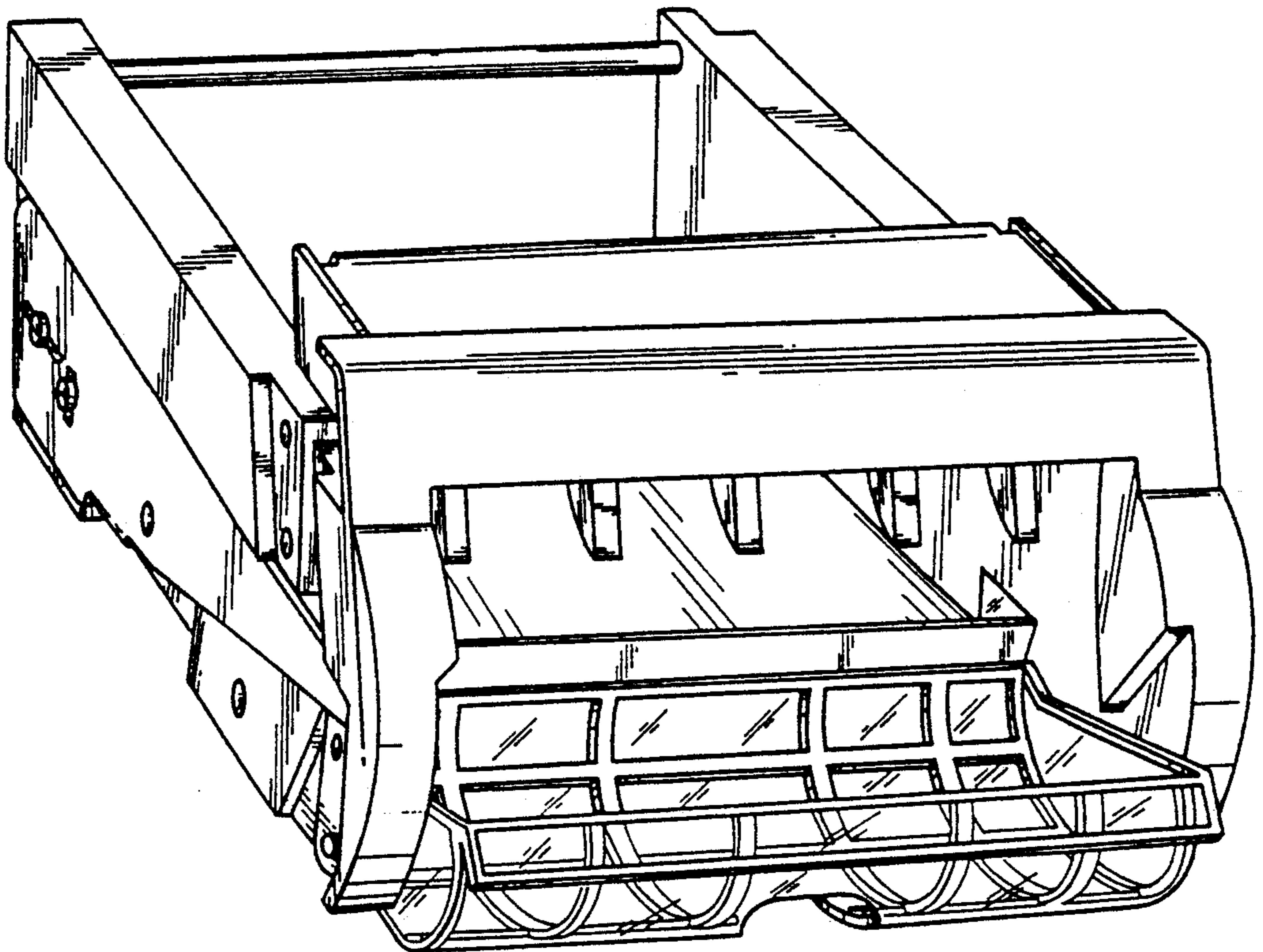


FIG. 1

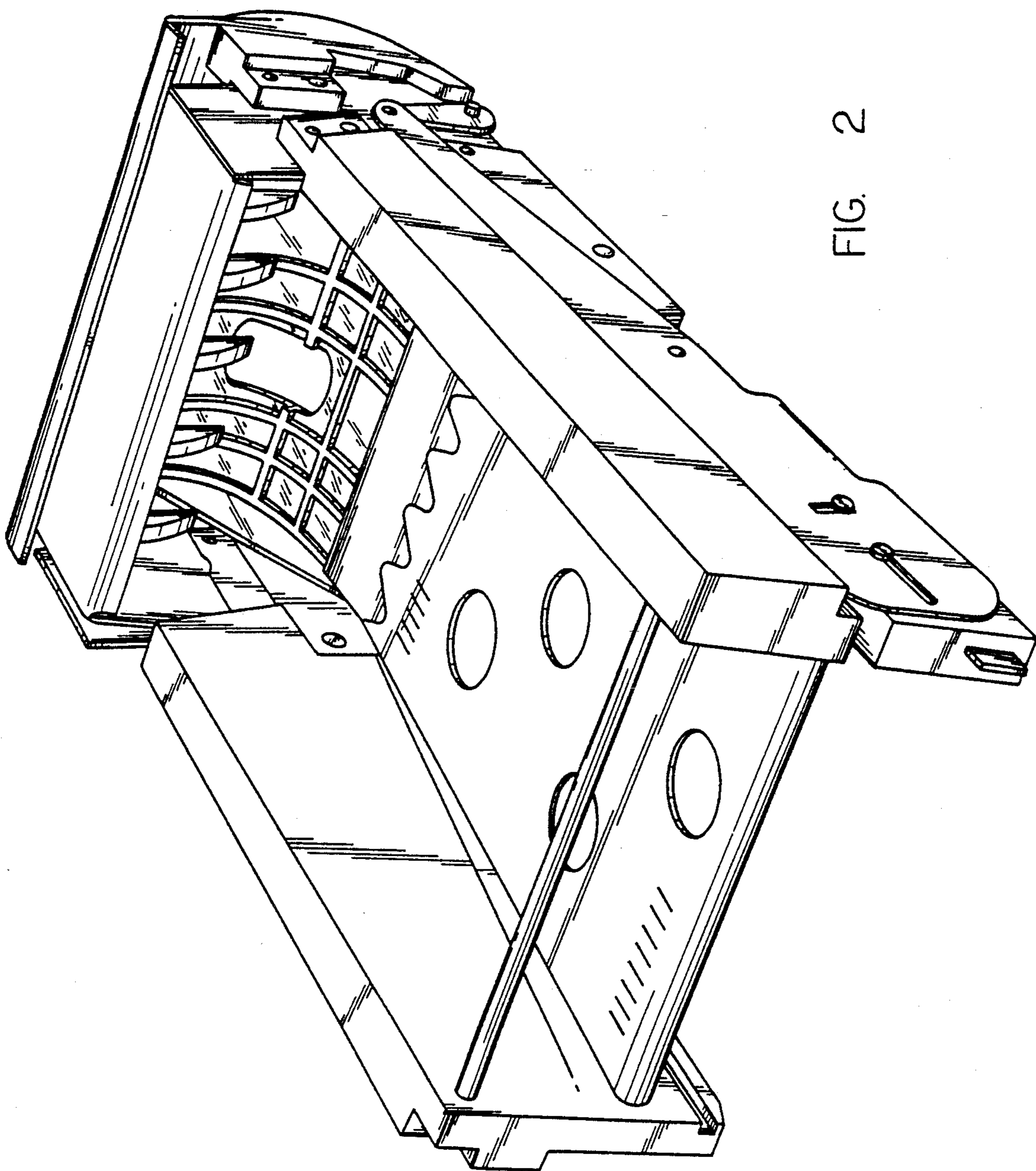


FIG. 2

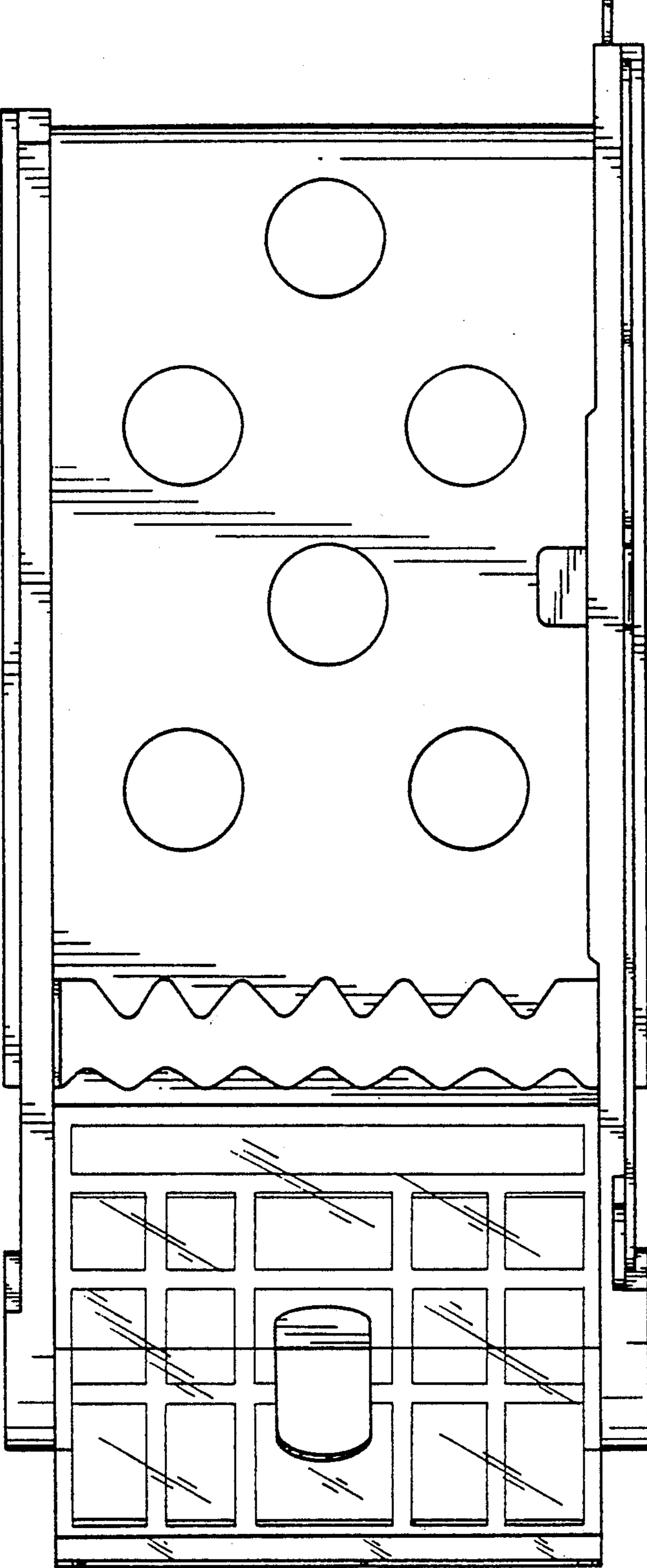


FIG. 3

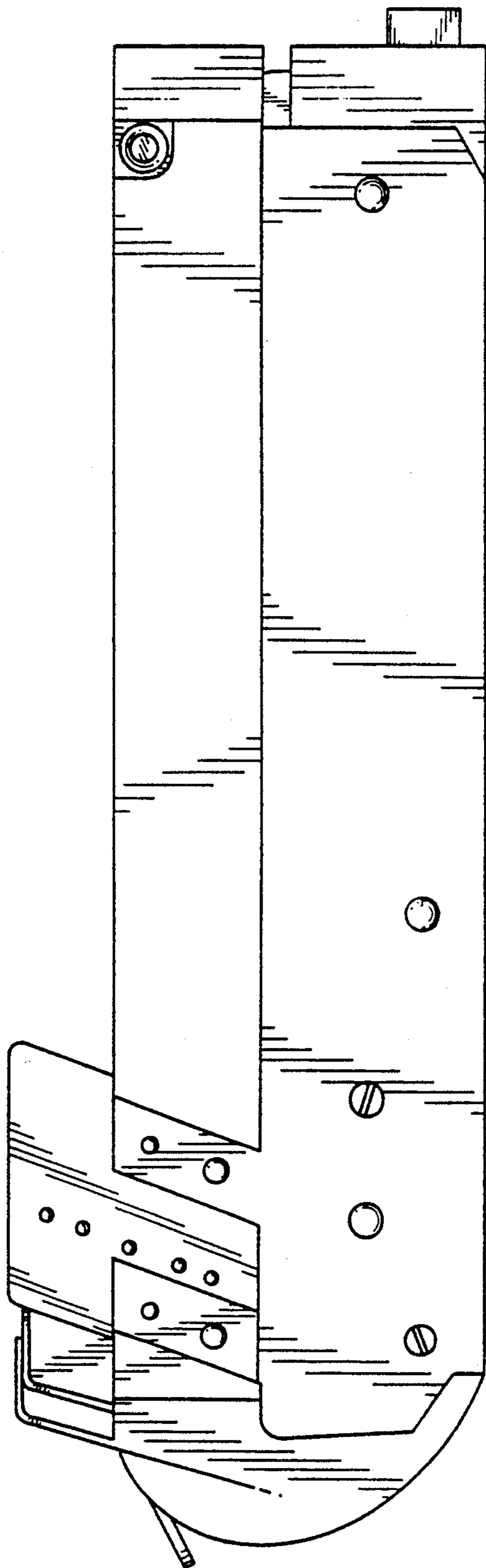


FIG. 4