

[54] RETRACTABLE MARKER PEN

D. 308,075 5/1990 Yazaki ..... D19/41 X  
1,806,849 5/1931 Gelardi ..... 33/485

[75] Inventor: Richard Granoff, Sandown, N.H.

[73] Assignee: Dennison Manufacturing Company,  
Framingham, Mass.

[\*\*] Term: 14 Years

[21] Appl. No.: 278,071

[22] Filed: Nov. 30, 1988

[52] U.S. Cl. .... D19/49; D19/41;  
D19/56

[58] Field of Search ..... D19/35, 36, 41-51,  
D19/54-58, 81-85; 401/99, 100, 104, 196;  
33/485

[56] References Cited

U.S. PATENT DOCUMENTS

- D. 68,281 9/1925 Todd, Jr. .... D19/49
- D. 119,263 3/1940 Harris ..... D19/49
- D. 282,378 1/1986 Ohyabu et al. .... D19/43
- D. 289,088 3/1987 Jankewitz ..... D19/43 X
- D. 306,458 3/1990 Lecce ..... D19/48

OTHER PUBLICATIONS

Atlas Pen & Pencil Corp., ©1986, see front cover,  
white pen—center.

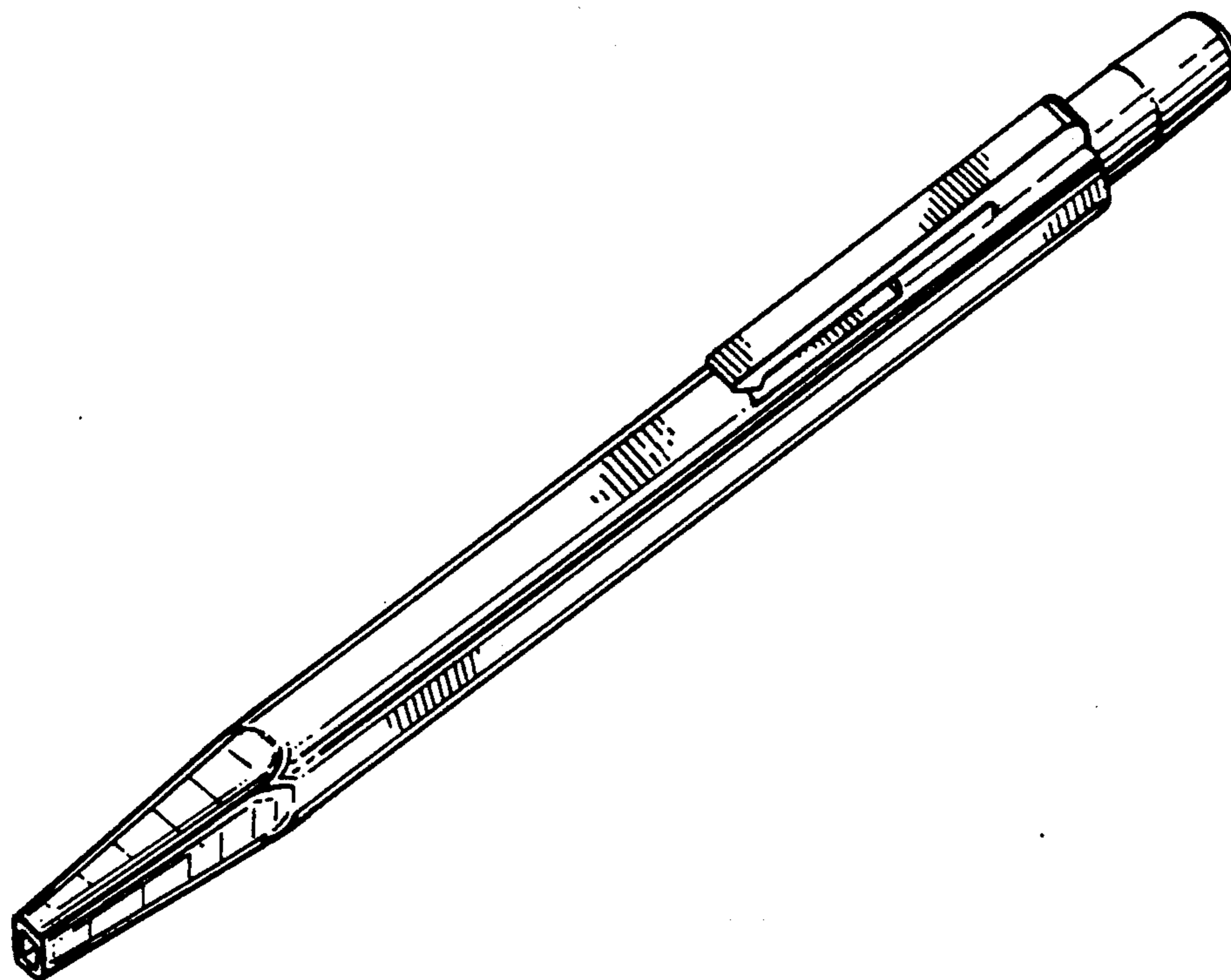
Primary Examiner—Bruce W. Dunkins  
Assistant Examiner—Martha Thompson  
Attorney, Agent, or Firm—Arthur B. Moore

[57] CLAIM

The ornamental design for a retractable marker pen, as  
shown and described.

DESCRIPTION

FIG. 1 is a right front perspective view of a retractable  
marker pen showing my new design;  
FIG. 2 is a right side elevational view;  
FIG. 3 is a front elevational view;  
FIG. 4 is a left side elevational view;  
FIG. 5 is a top plan view; and  
FIG. 6 is a fragmentary front elevational view on an  
enlarged scale, with the clip member partially broken  
away for convenience of illustration.



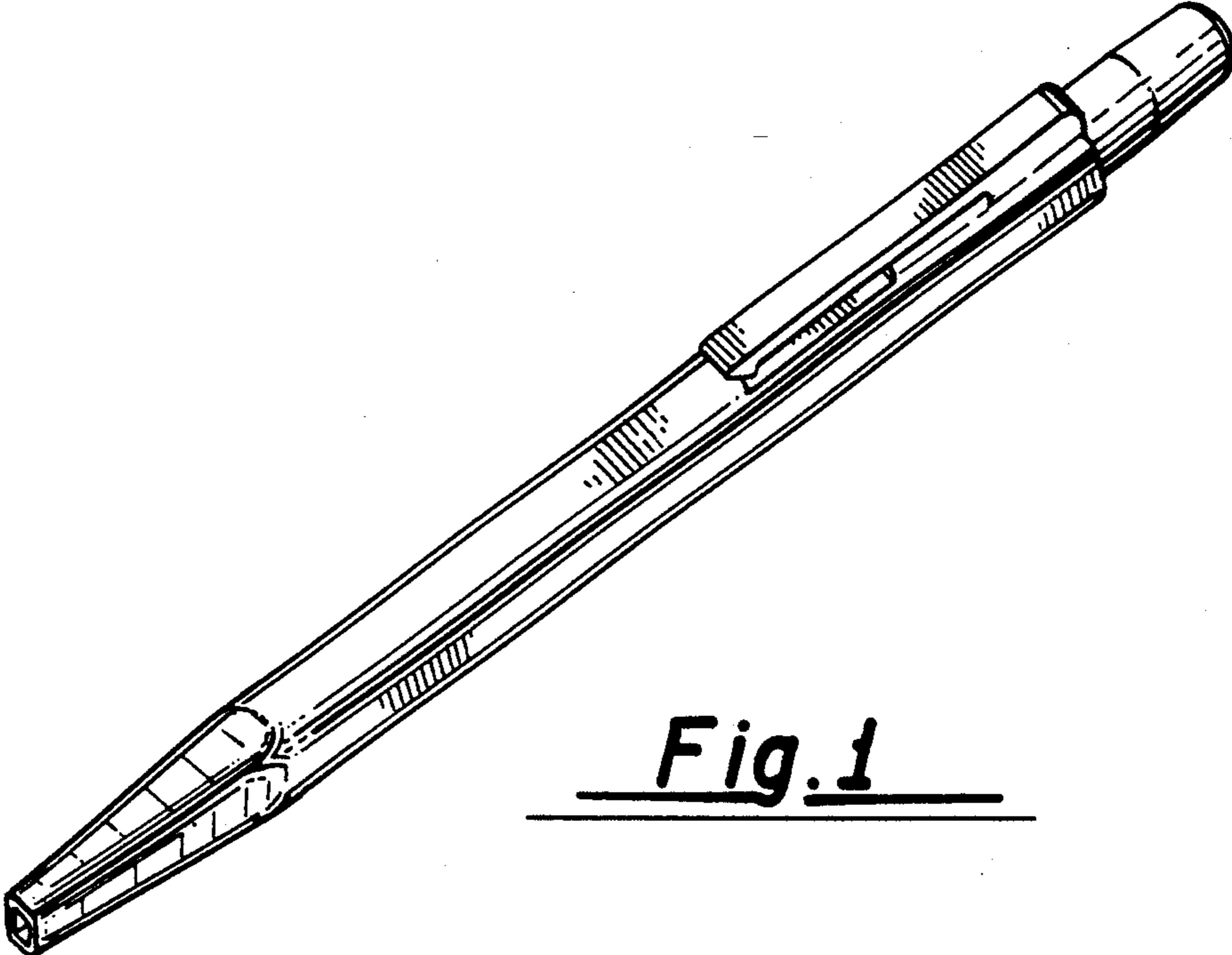


Fig. 1

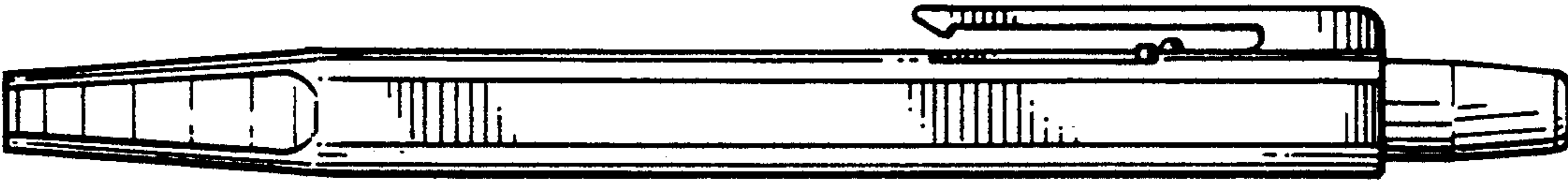


Fig. 2

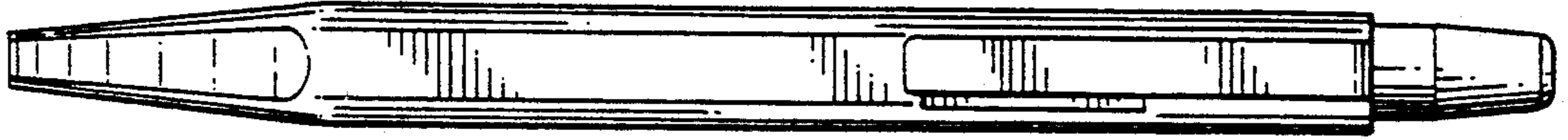


Fig. 3

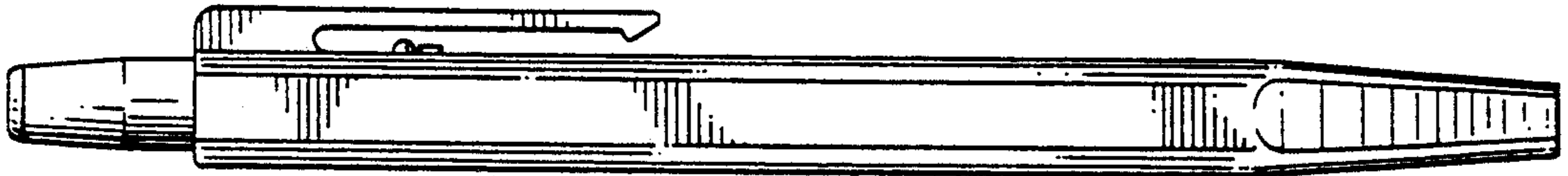


Fig. 4



Fig. 5



Fig. 6