

[54] REPLACEABLE DEVELOPER UNIT

[75] Inventor: William E. Nelson, Dallas, Tex.

[73] Assignee: Texas Instruments Incorporated, Dallas, Tex.

[**] Term: 14 Years

[21] Appl. No.: 454,494

[22] Filed: Dec. 21, 1989

[52] U.S. Cl. D18/22; D18/43

[58] Field of Search D18/43, 22; D9/415; 222/166, 240, 325, 541, DIG. 1; 355/200, 207, 244, 245, 260, 298, 309

[56] References Cited

U.S. PATENT DOCUMENTS

D. 241,721	10/1976	Hourahine	D9/415	X
D. 310,240	8/1990	Smith	D18/43	
D. 310,844	9/1990	Ohata	D18/43	
3,749,287	7/1973	Sanders	222/DIG. 1	X
4,491,161	1/1985	Tamura et al.	355/260	X
4,733,266	3/1988	Watanabe	355/207	
4,803,513	2/1989	Nishise et al.	355/245	X

4,878,091 10/1989 Morita et al. 355/260

FOREIGN PATENT DOCUMENTS

0107663	6/1985	Japan	355/298
0263980	12/1985	Japan	355/298
0067571	3/1987	Japan	355/260
0240579	10/1988	Japan	355/298

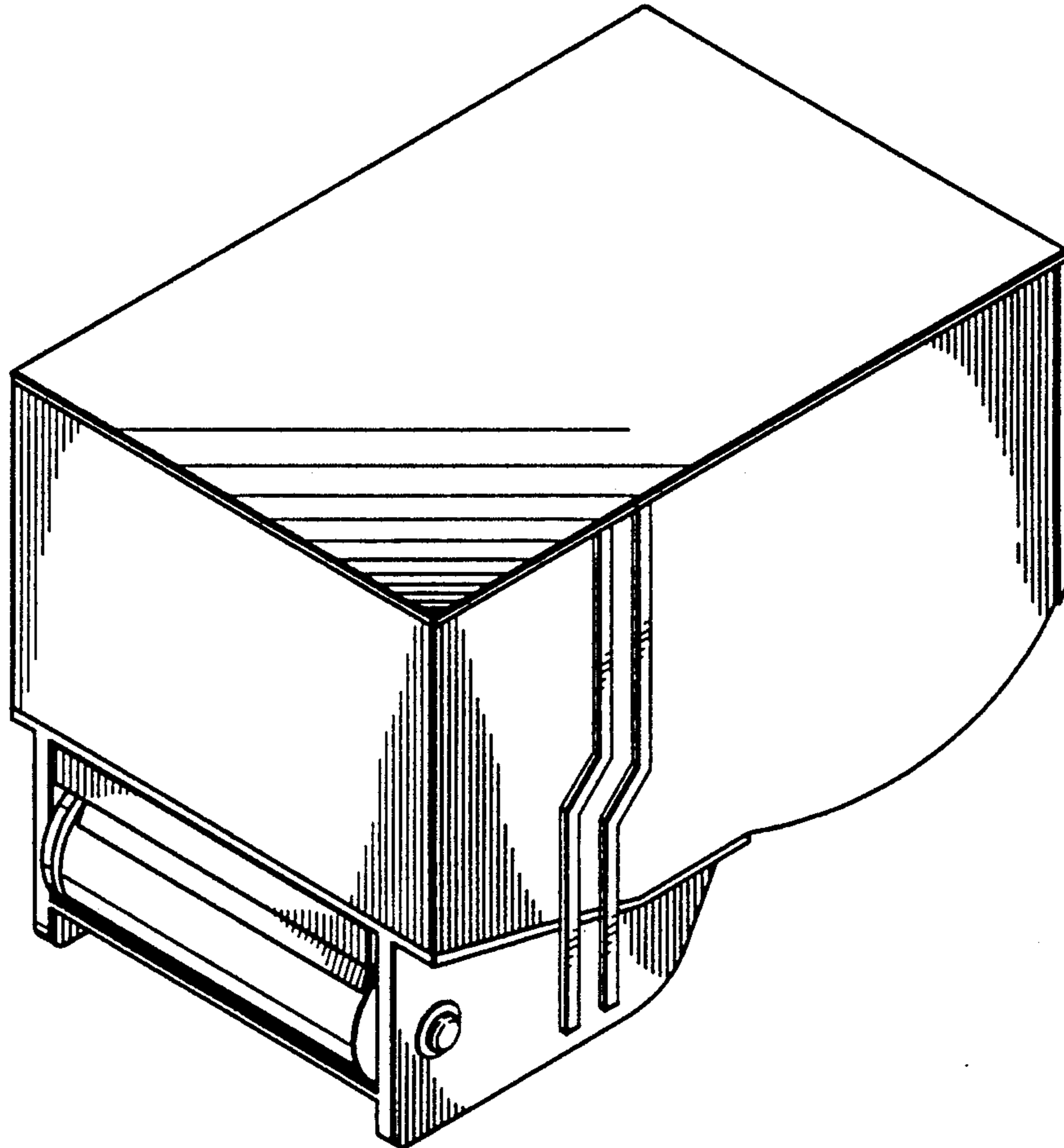
Primary Examiner—Nelson C. Holtje
Assistant Examiner—Caron D. Veynar
Attorney, Agent, or Firm—James C. Kesterson; James T. Comfort; Melvin Sharp

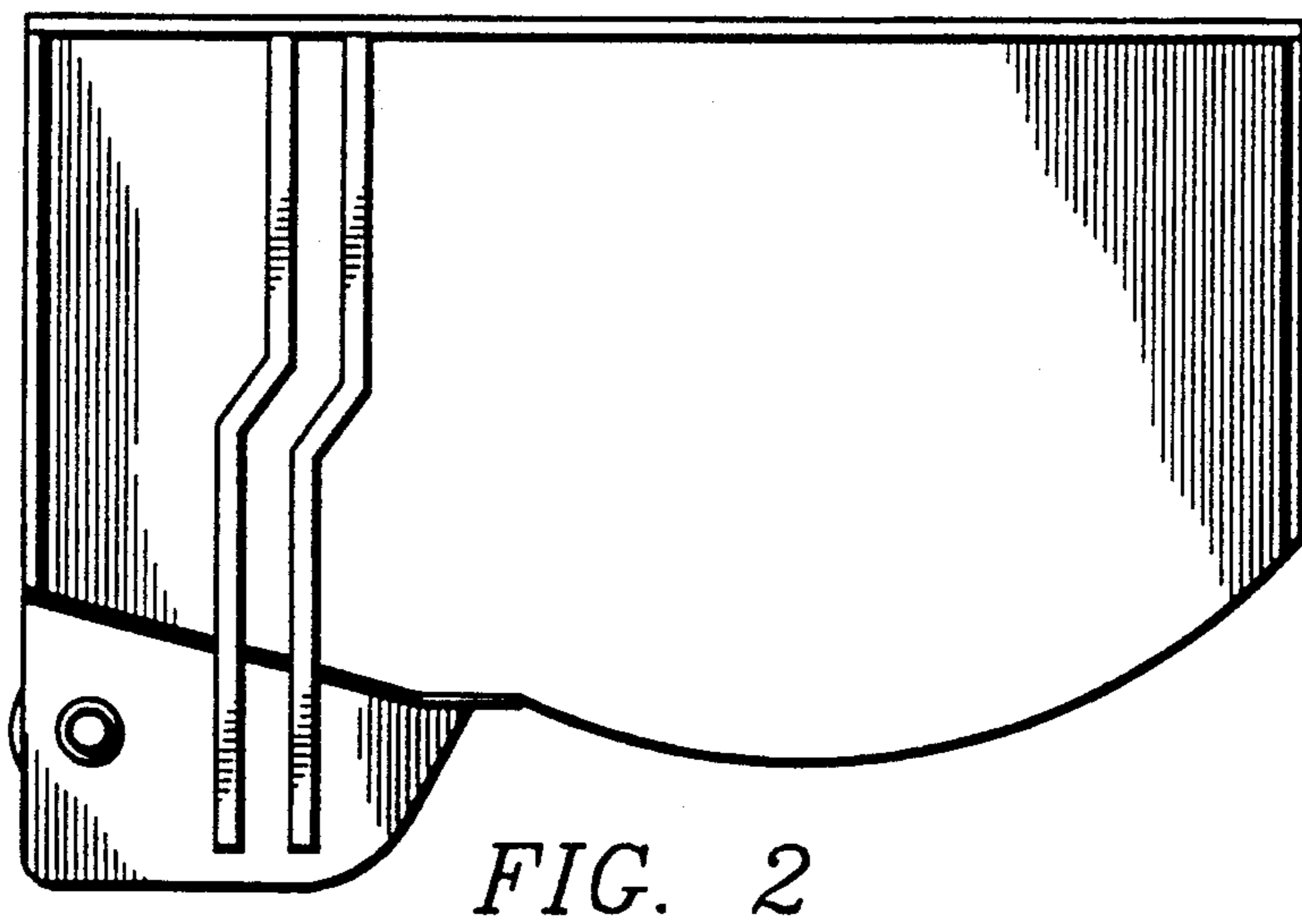
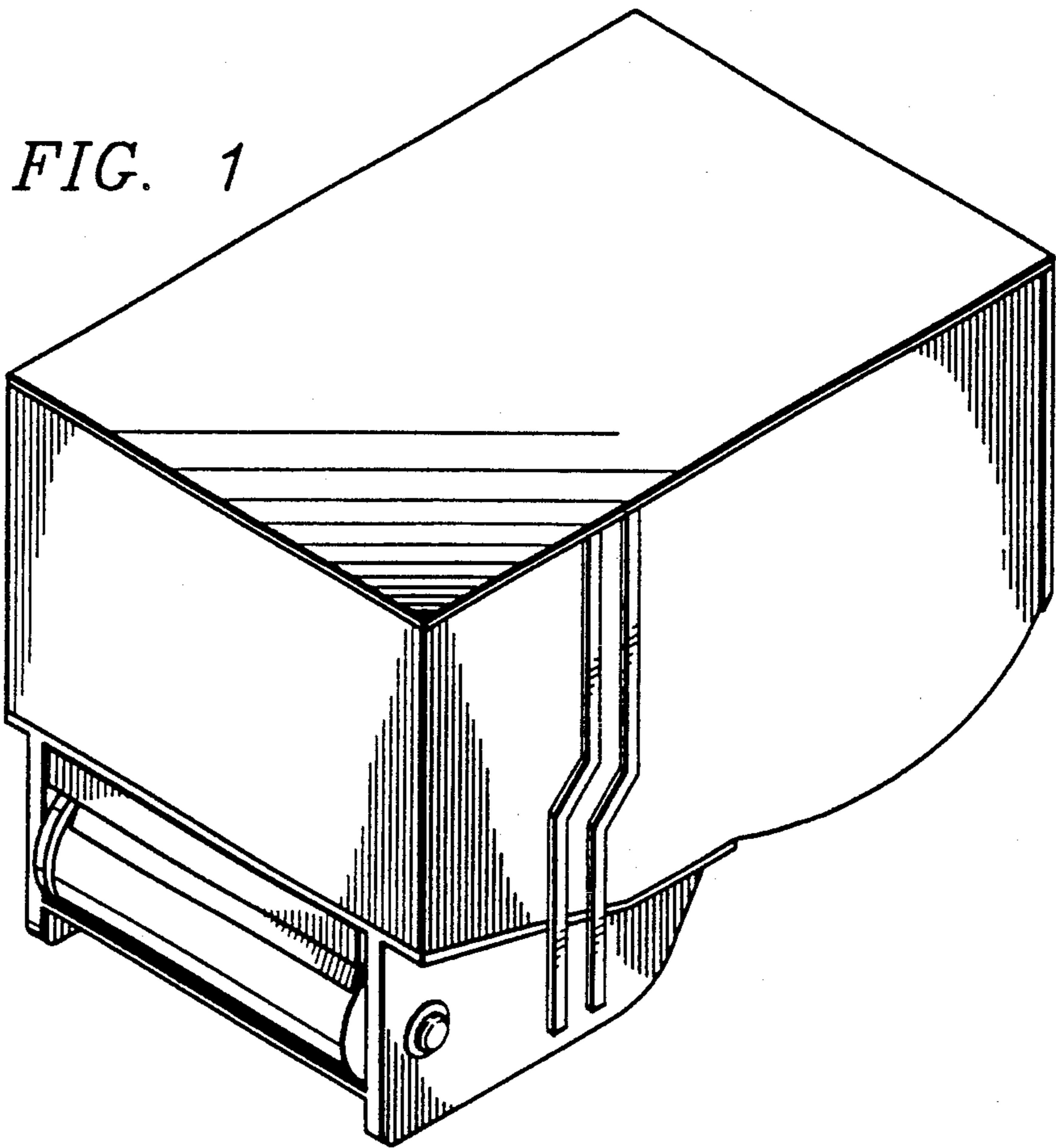
[57] CLAIM

The ornamental design for a replaceable developer unit, as shown and described.

DESCRIPTION

FIG. 1 is a right, front and top perspective view of a replaceable developer unit showing my new design; FIG. 2 is a right side elevational view; FIG. 3 is a left side elevational view; FIG. 4 is a front elevational view; FIG. 5 is a rear elevational view; FIG. 6 is a top plan view; and FIG. 7 is a bottom plan view.





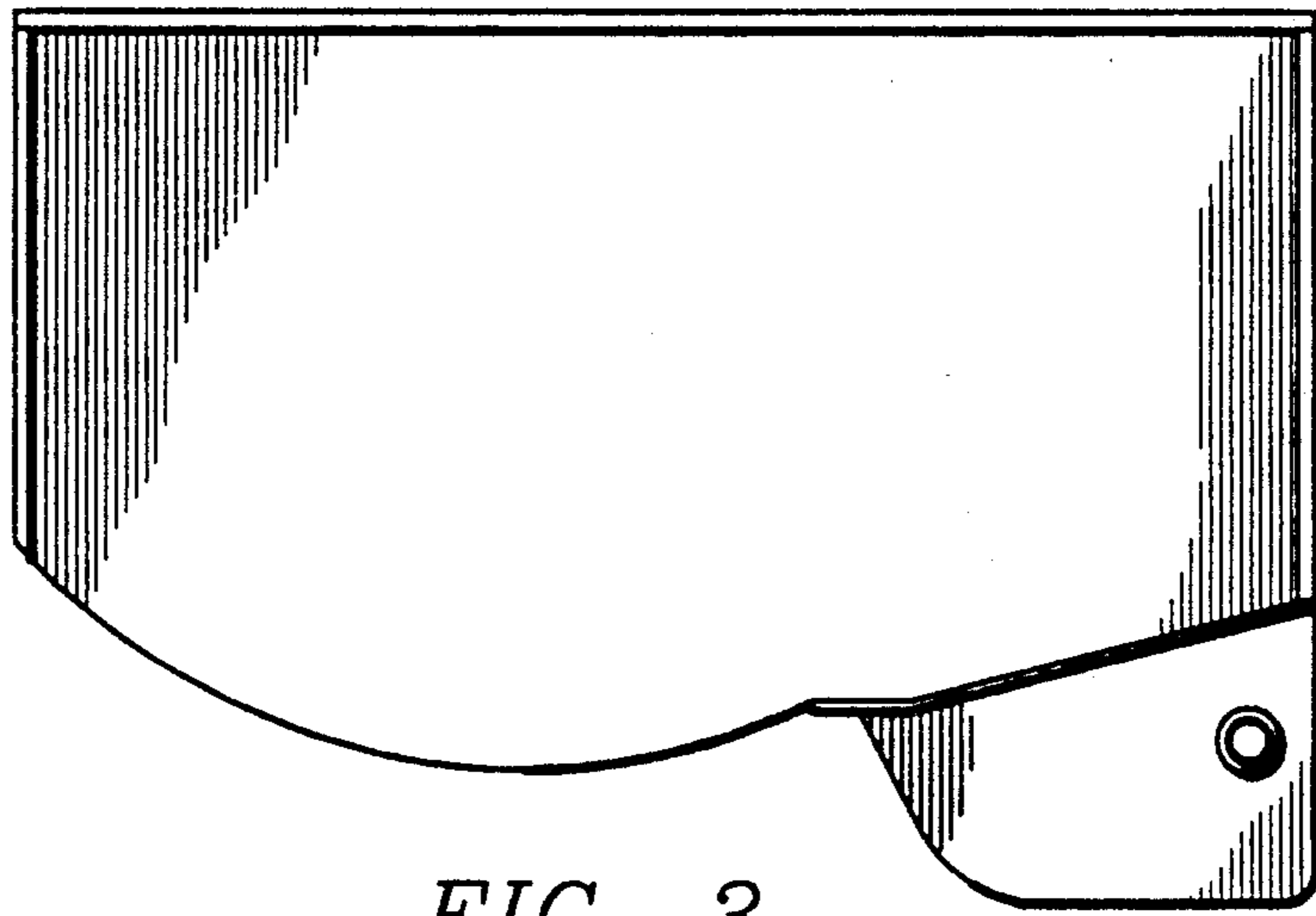


FIG. 3

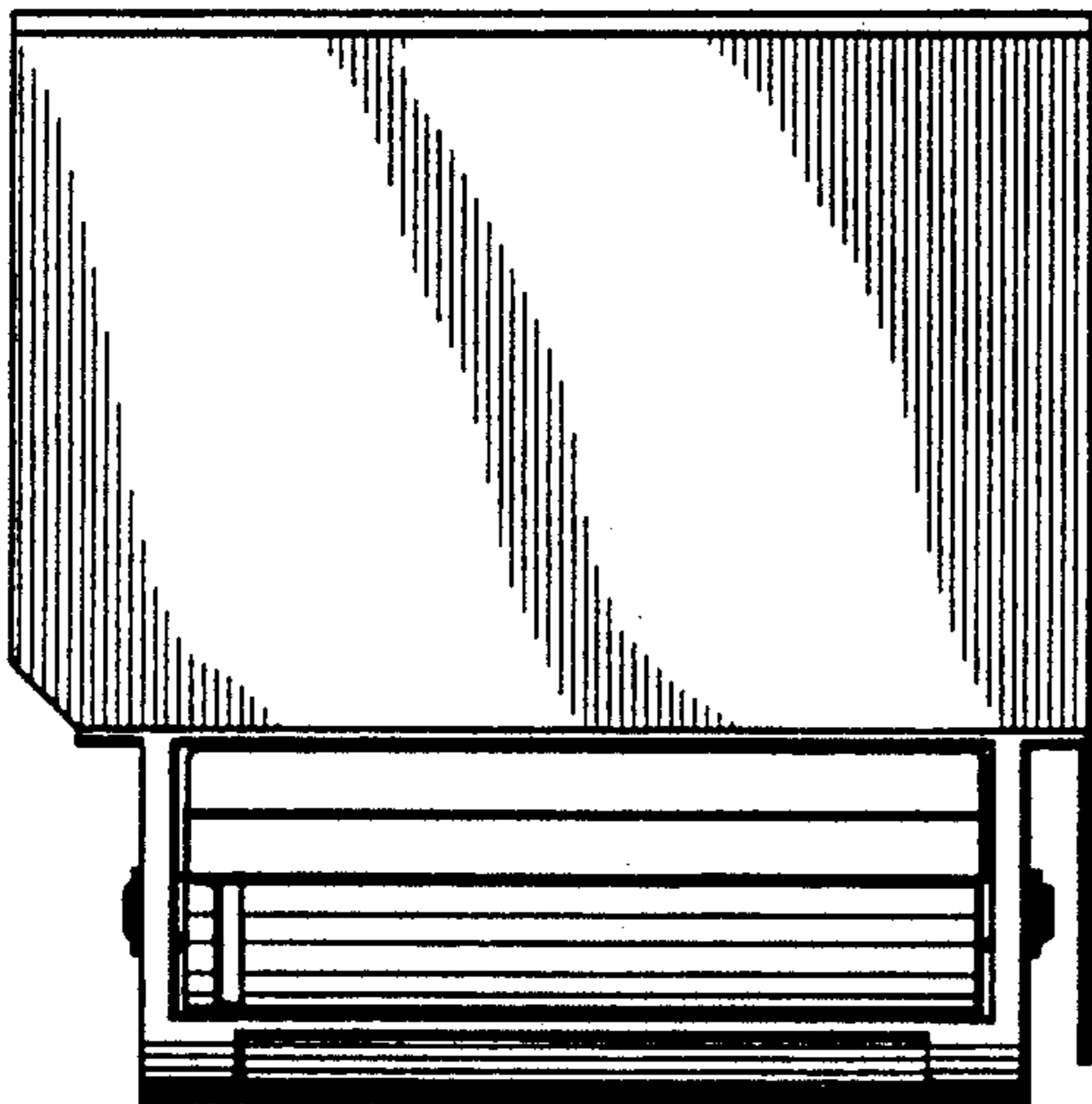


FIG. 4

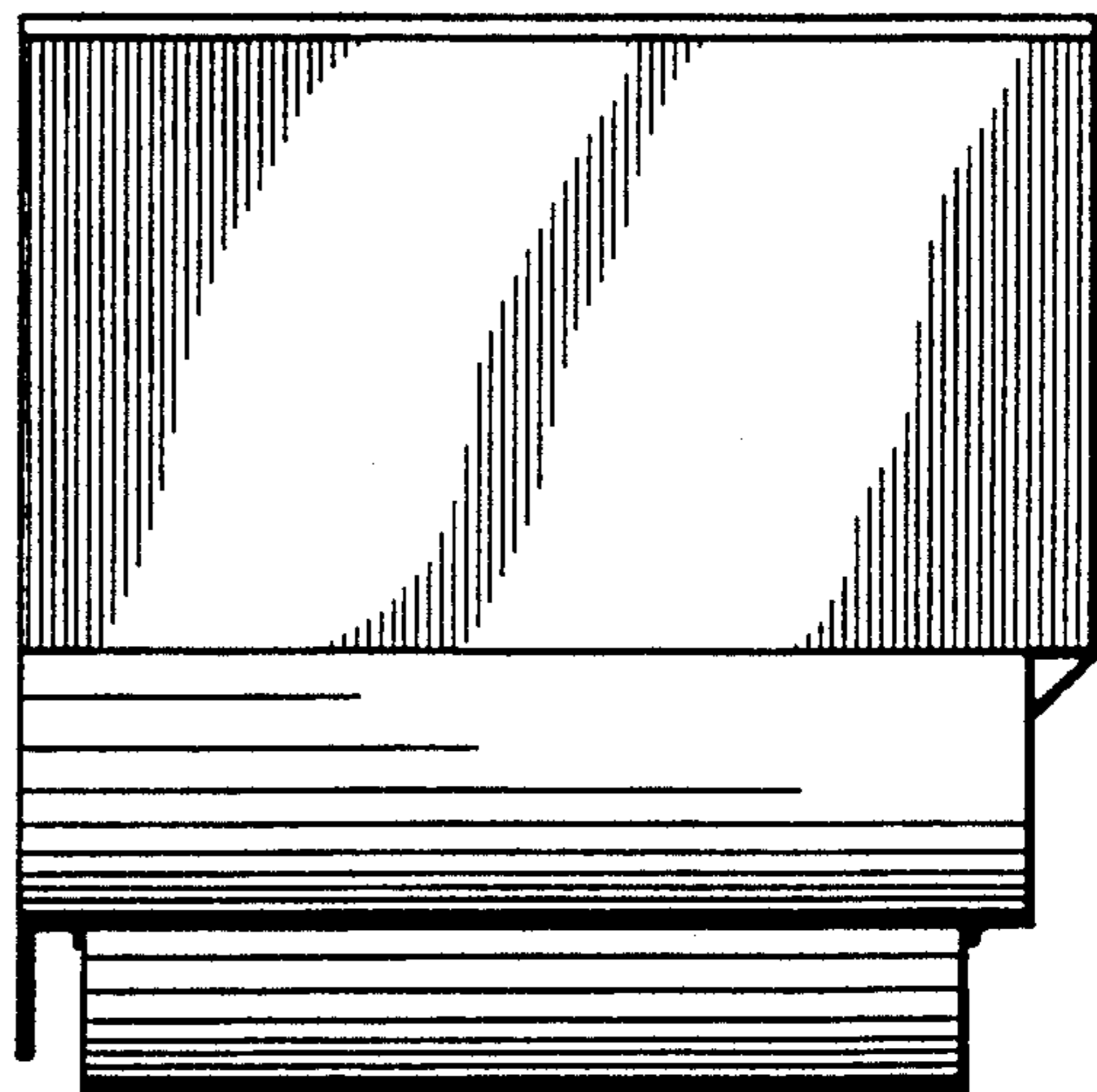


FIG. 5

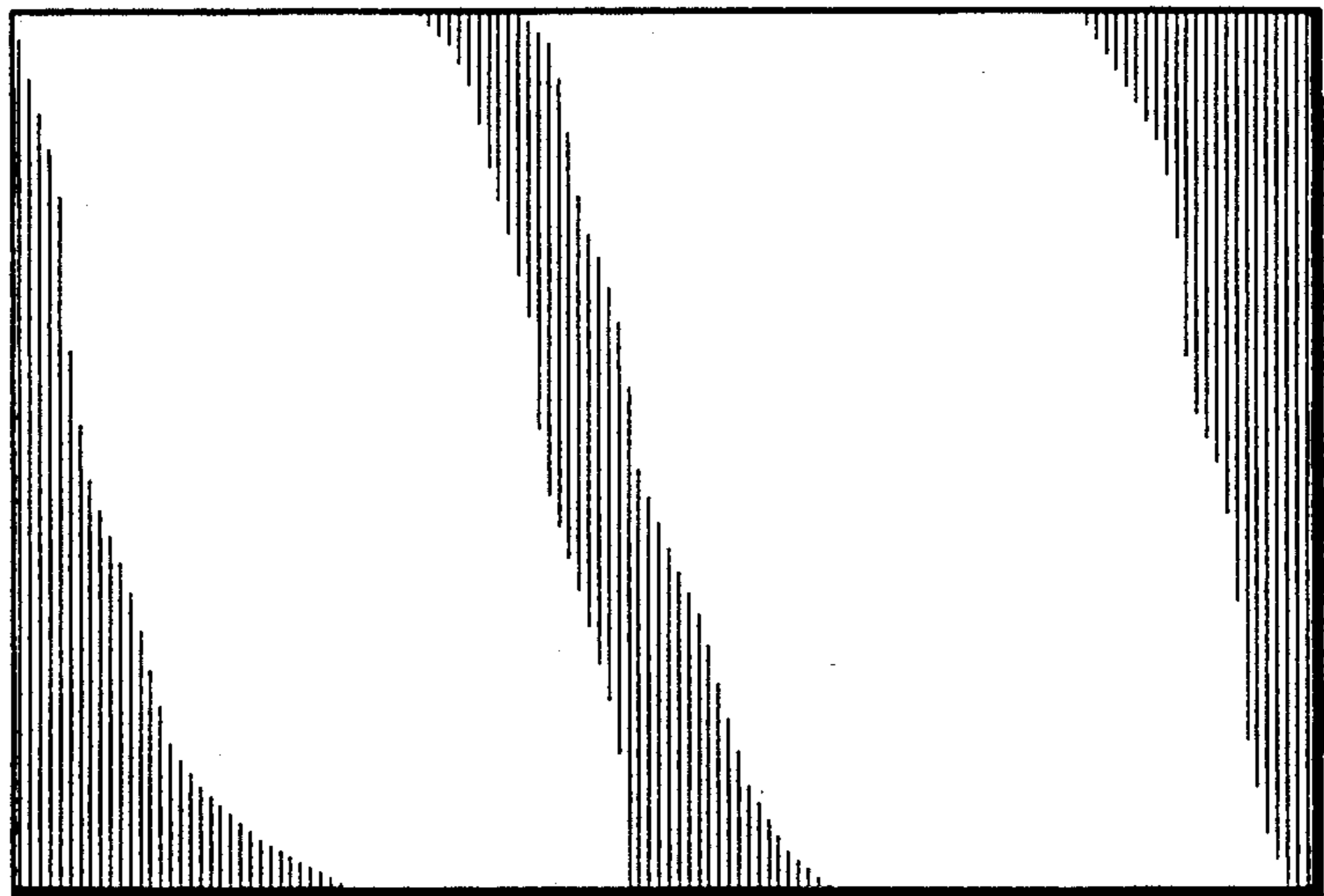


FIG. 6

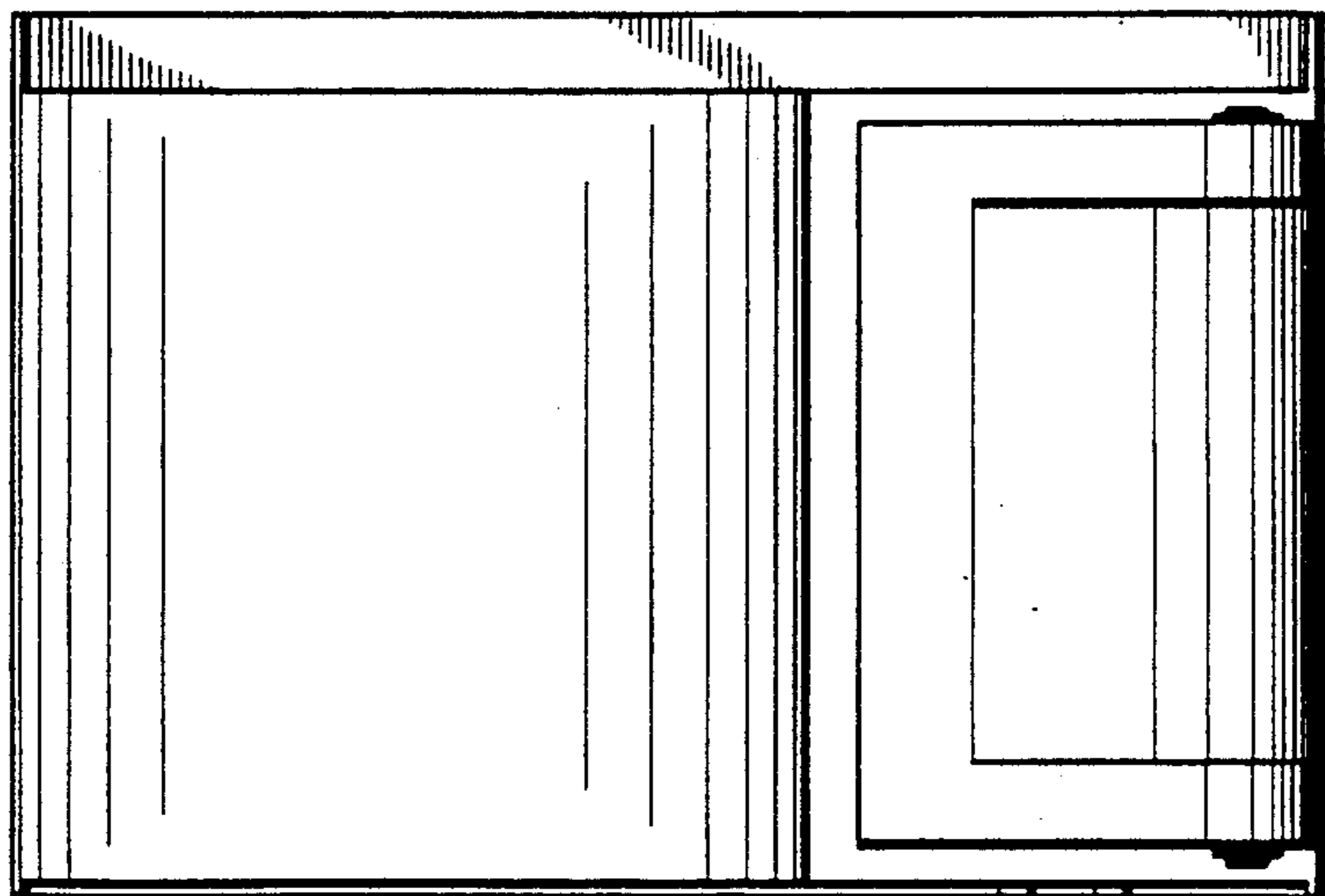


FIG. 7