

United States Patent [19]

Souisa et al.

[11] Patent Number: **Des. 321,199**

[45] Date of Patent: **** Oct. 29, 1991**

[54] **EYEGLOSS SUPPORT**

[76] Inventors: **Steve R. Souisa**, 9744 Lubao St.;
Shawn P. Lane, 10427 Variel St.,
both of Chatsworth, Calif. 91311

[**] Term: **14 Years**

[21] Appl. No.: **407,460**

[22] Filed: **Sep. 14, 1989**

[52] U.S. Cl. **D16/129**

[58] Field of Search D16/102, 123, 117, 129,
D16/118, 127; D8/370, 373; 351/111, 112, 118,
123; 248/302, 303, 309.1, 176, 902, 205.3

[56] **References Cited**

U.S. PATENT DOCUMENTS

D. 213,451 3/1969 White D8/373

D. 265,874 8/1982 Klose D8/373
D. 286,371 10/1986 Shuman D8/373
1,560,029 11/1925 Erickson 248/205.3
4,239,167 12/1980 Lane 248/205.3
4,452,354 6/1984 Tabacknick 248/205.3

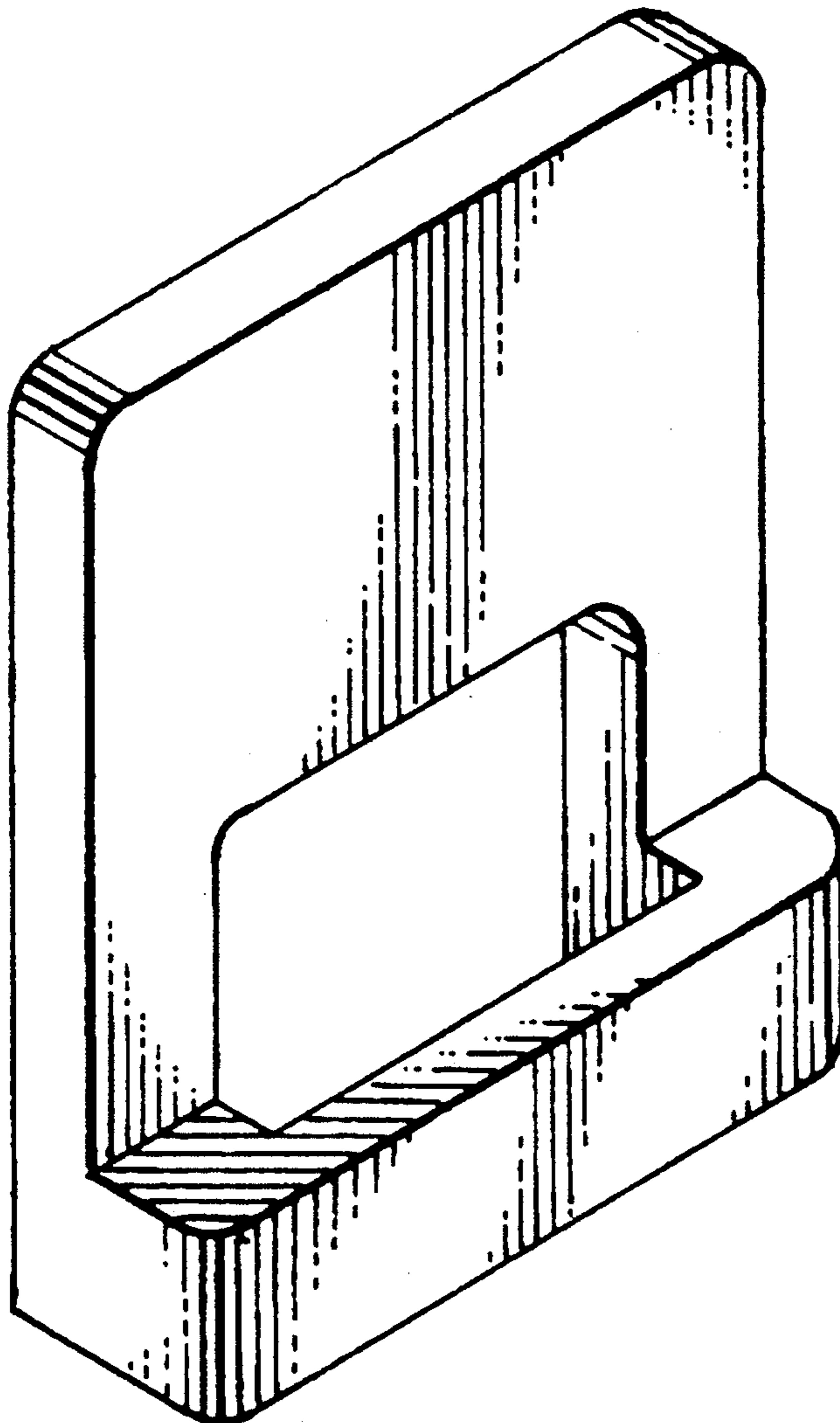
Primary Examiner—Bernard Ansher
Assistant Examiner—R. Barkai
Attorney, Agent, or Firm—Roger A. Marrs

[57] **CLAIM**

The ornamental design for an eyeglass support, as shown.

DESCRIPTION

FIG. 1 is a front perspective view of an eyeglass support showing our new design; FIG. 2 is a rear perspective view thereof; and FIG. 3 is a top plan view thereof.



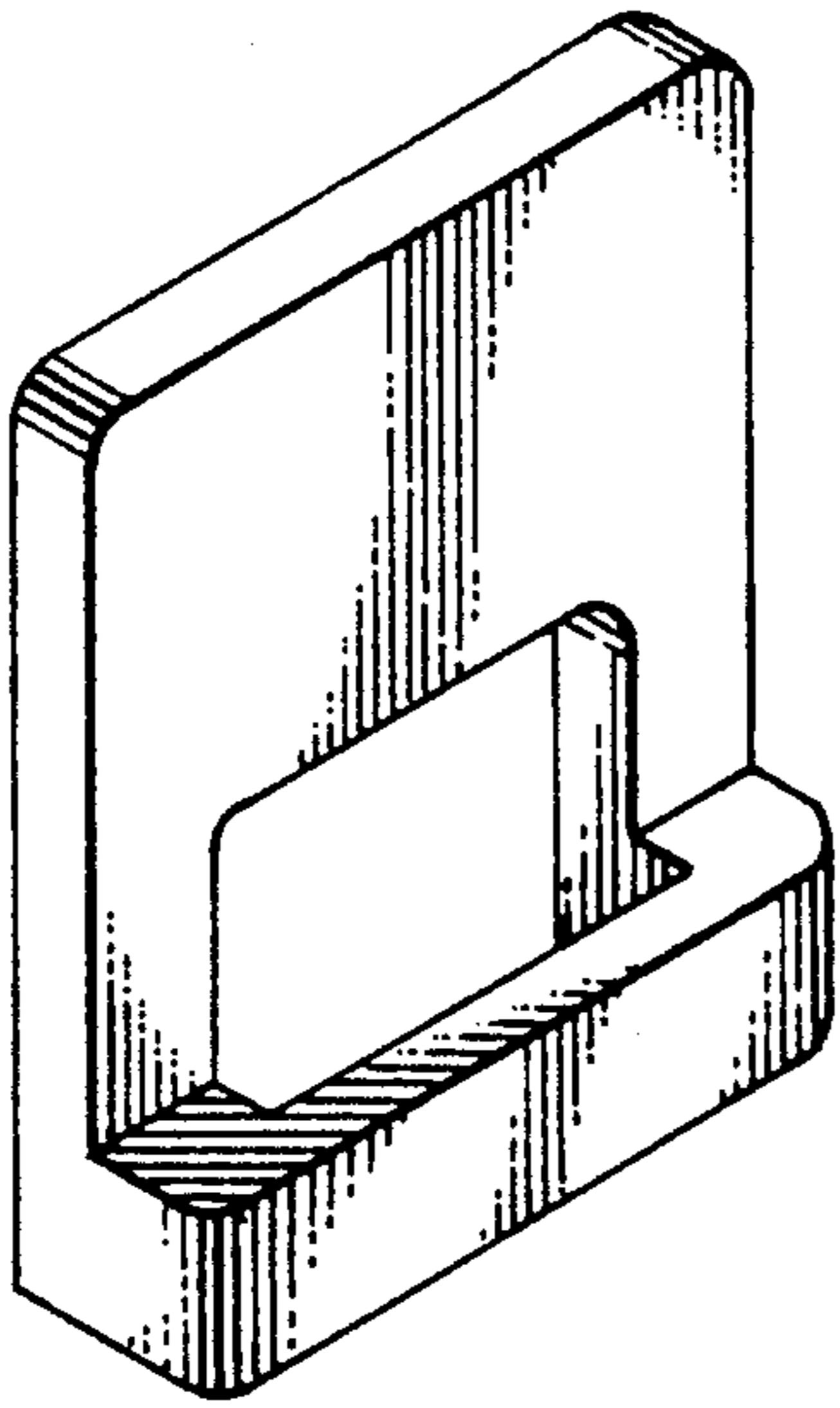


FIG. 1.

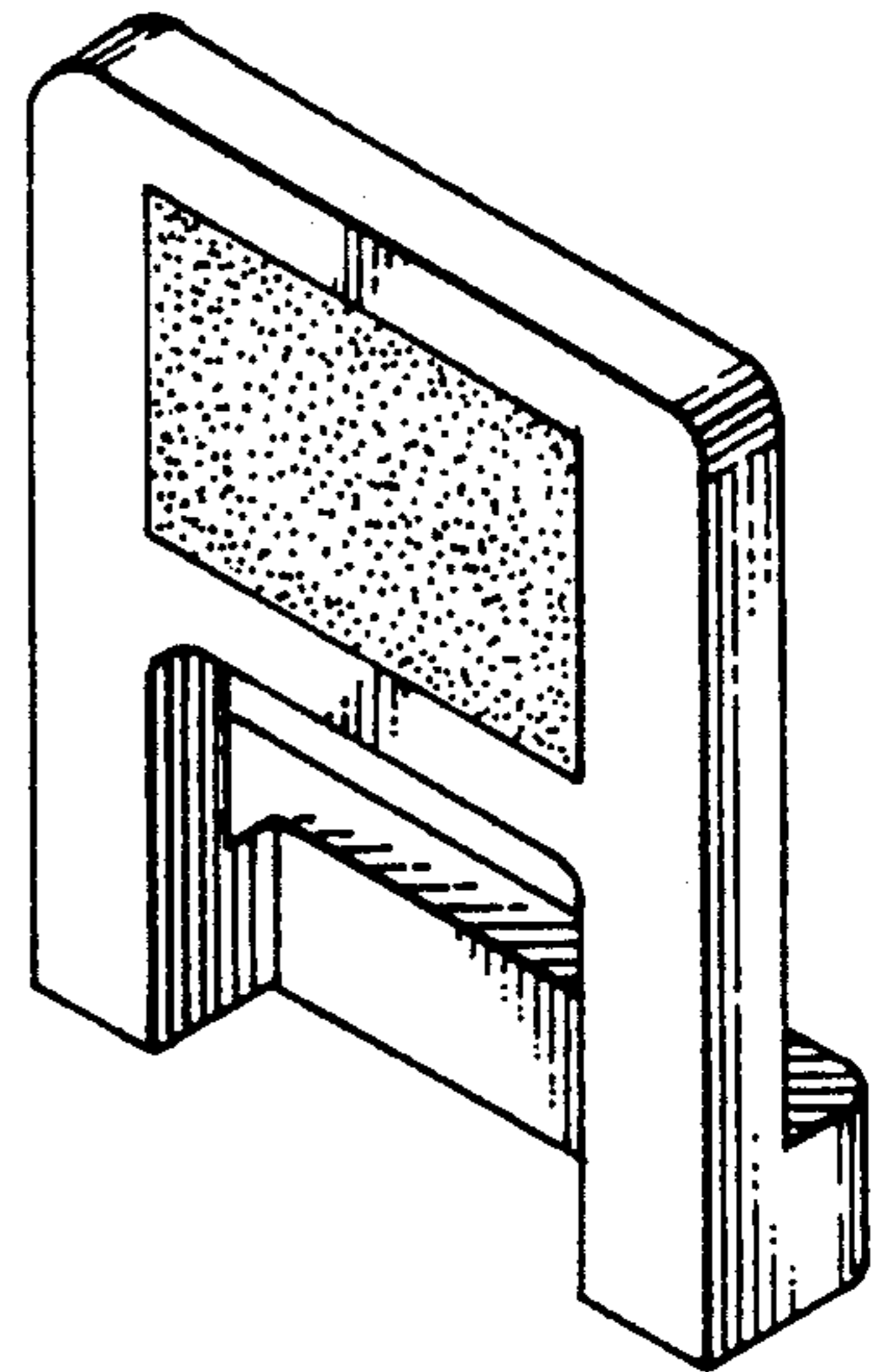


FIG. 2.

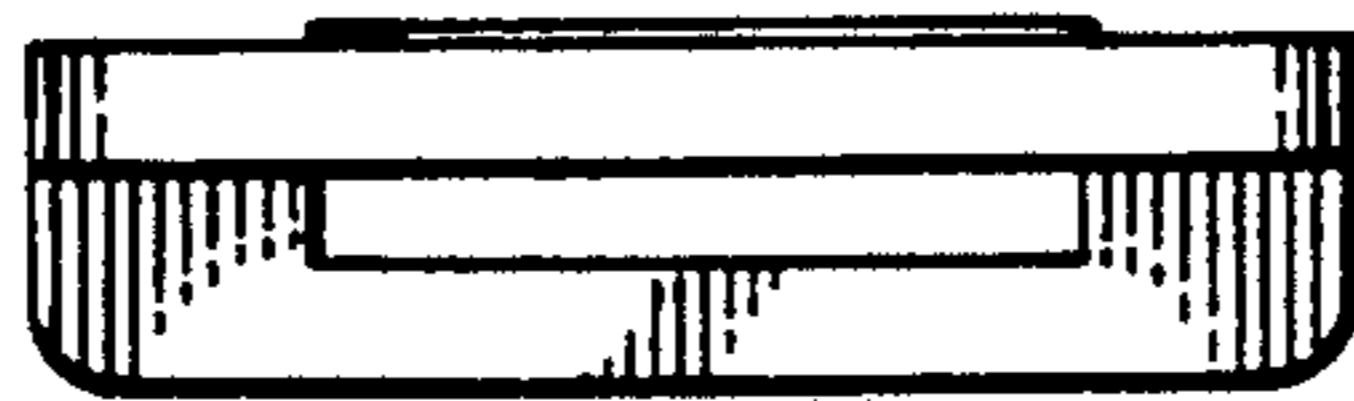


FIG. 3.