

[54] SPECTACLE FRONT
[76] Inventor: Alan W. Brown, 4 Hartley Cir., Apt.
824, Owing Mills, Md. 21117
[**] Term: 14 Years
[21] Appl. No.: 242,261
[22] Filed: Sep. 8, 1988
[52] U.S. Cl. D16/102; D16/103;
D16/104; D16/117
[58] Field of Search D16/102, 119, 125, 118,
D16/108, 110, 115, 104, 116, 117, 120;
D21/185; D24/33; D29/16, 18; D6/518;
D9/314

D. 292,983 12/1987 Kanoui D16/102
D. 292,984 12/1987 Sonthonnax D16/102
4,104,339 8/1978 Fetz et al. D24/33 X
Primary Examiner—Bruce W. Dunkins
Assistant Examiner—Monica Hannon
Attorney, Agent, or Firm—Diller, Ramik & Wight

[56] **References Cited**
U.S. PATENT DOCUMENTS
D. 114,994 5/1939 McGlynn D16/108
D. 145,288 10/1944 DiCicco .
D. 156,723 1/1950 Gayson D16/104
D. 175,469 8/1955 Ives et al. .
D. 204,163 3/1966 Mitchell .
D. 204,814 5/1966 Glass et al. D16/104 X
D. 231,857 6/1974 Bloch D16/115

[57] **CLAIM**
The ornamental design for spectacle front, as shown
and described.

DESCRIPTION
FIG. 1 is a front elevational view of glasses simulating
the eyes and antennae of an insect, showing my new
design;
FIG. 2 is a rear elevational view thereof;
FIG. 3 is a side elevational view thereof taken from the
right in FIG. 1 with the parts shown in broken lines
being for illustrative purposes only;
FIG. 4 is a top plan view thereof taken from above in
FIG. 3 with the parts shown in broken lines being for
illustrative purposes only; and
FIG. 5 is a bottom plan view with the parts shown in
broken lines being for illustrative purposes only.





FIG 1

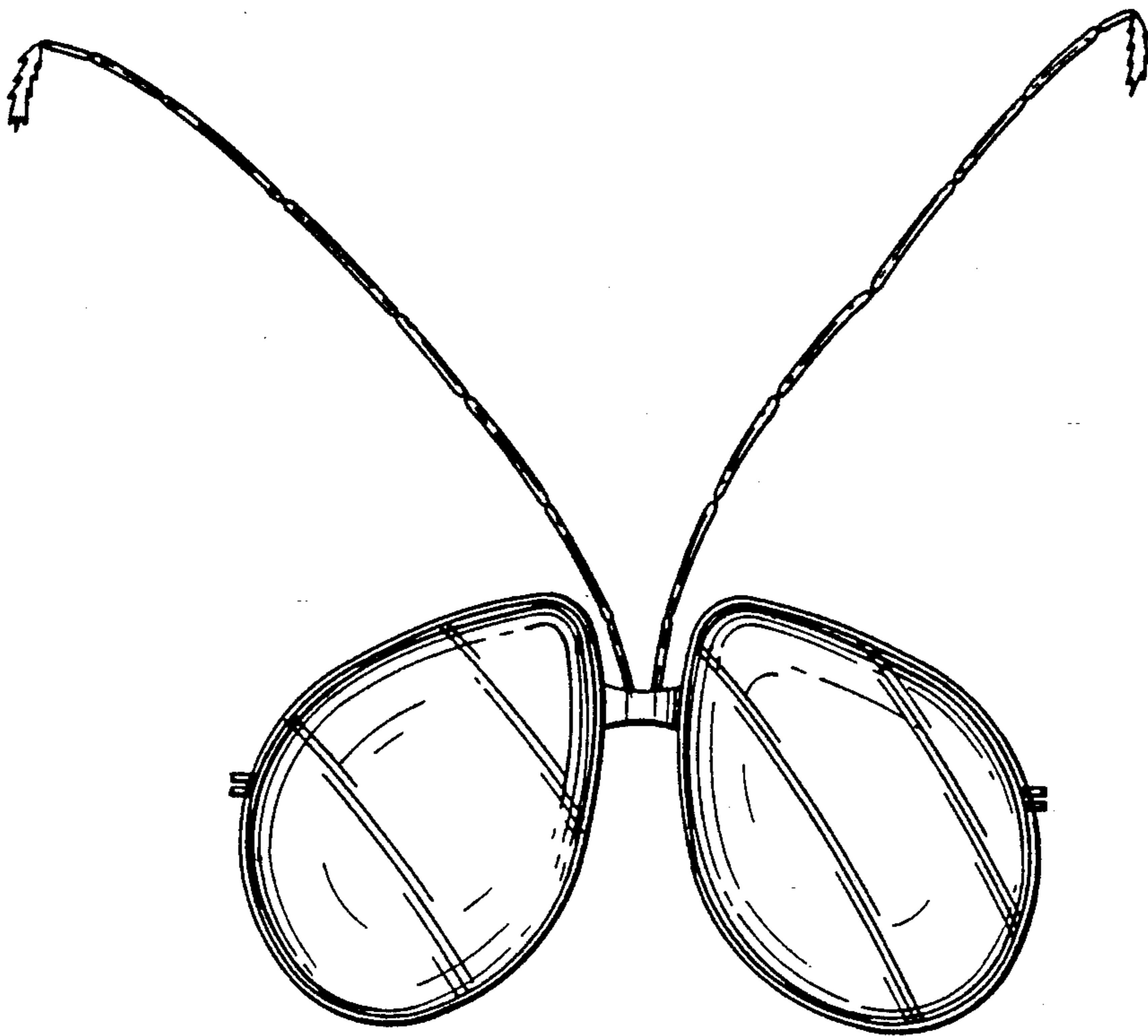


FIG 2

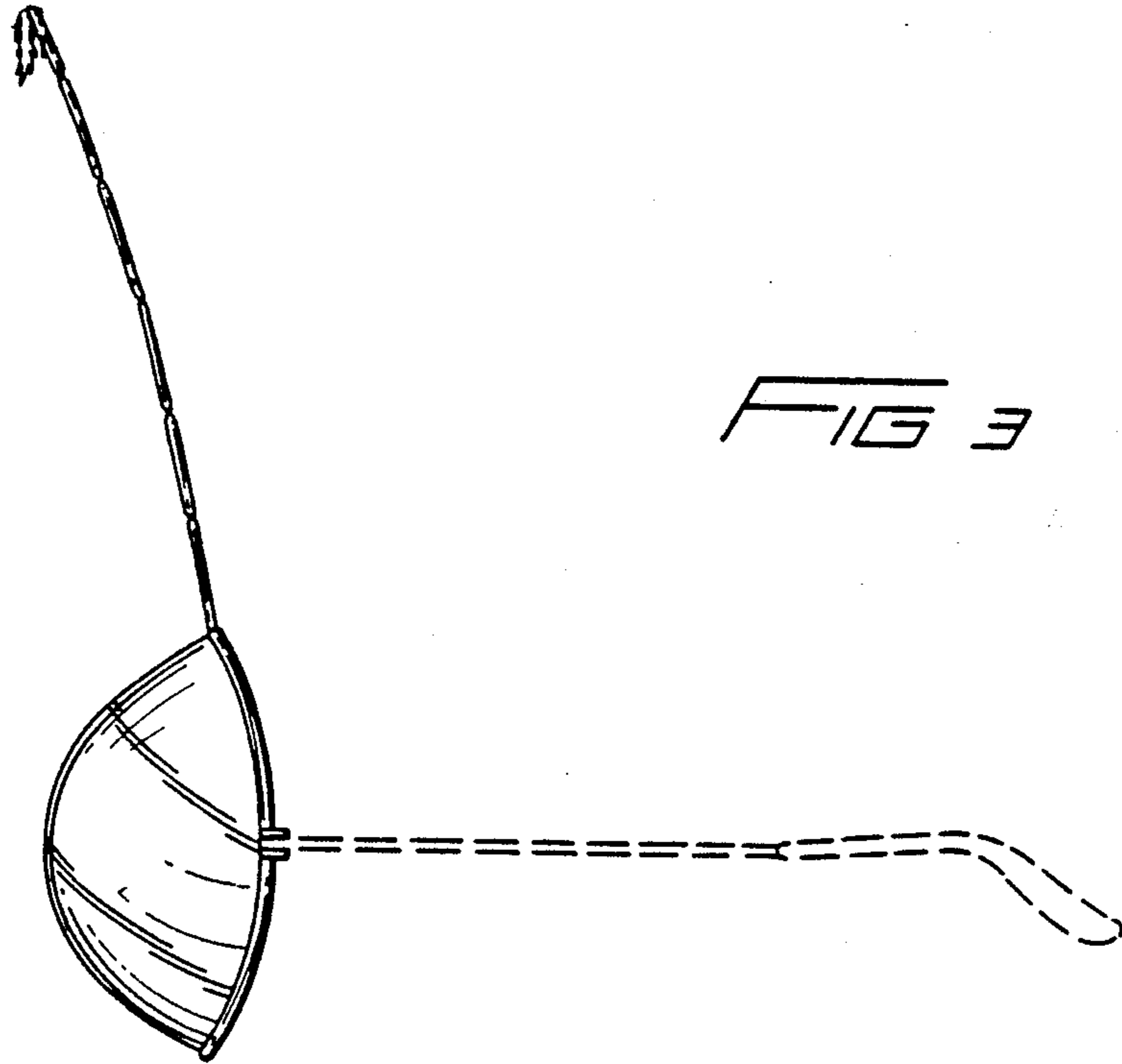


FIG 3

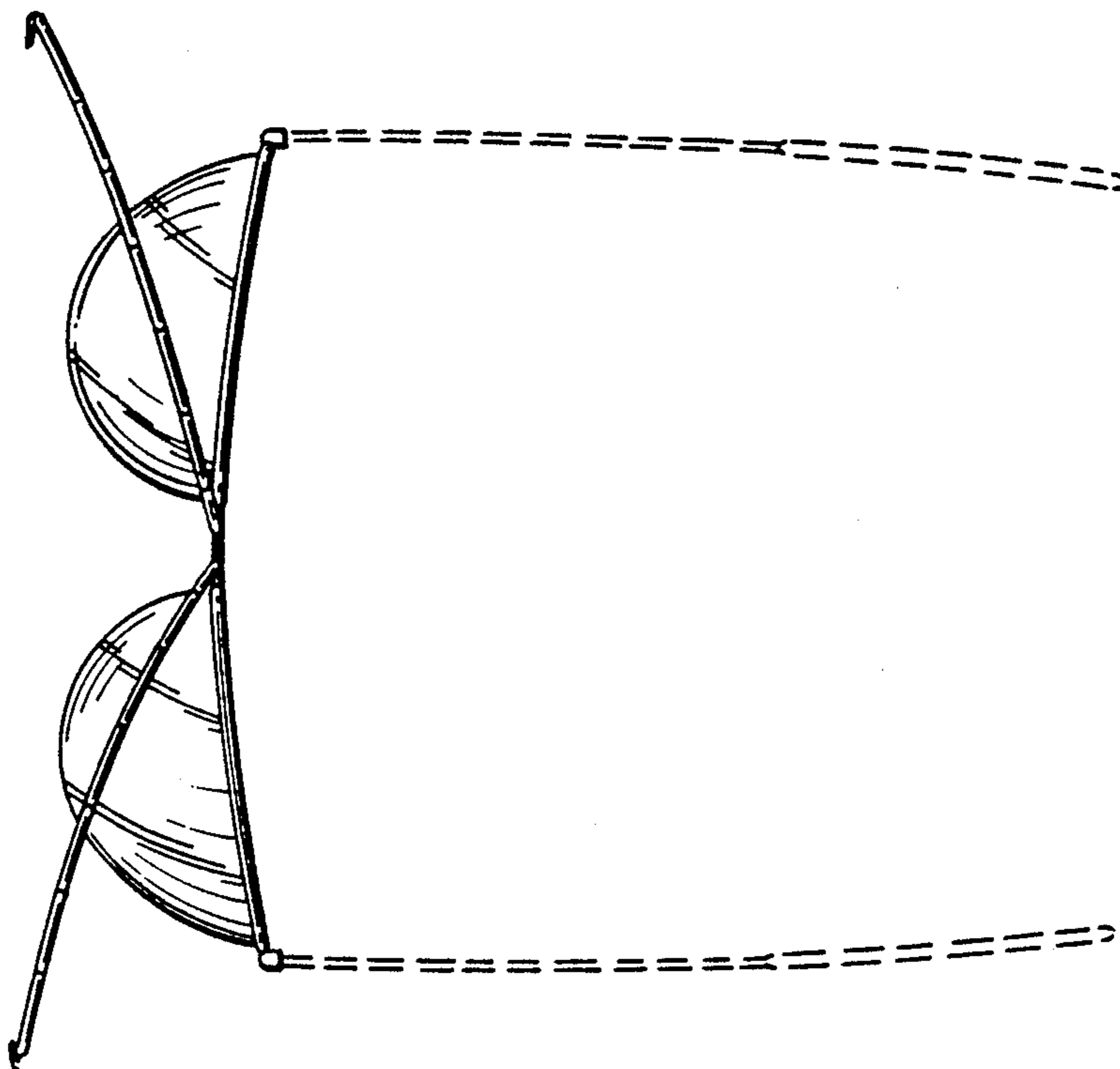


FIG 4

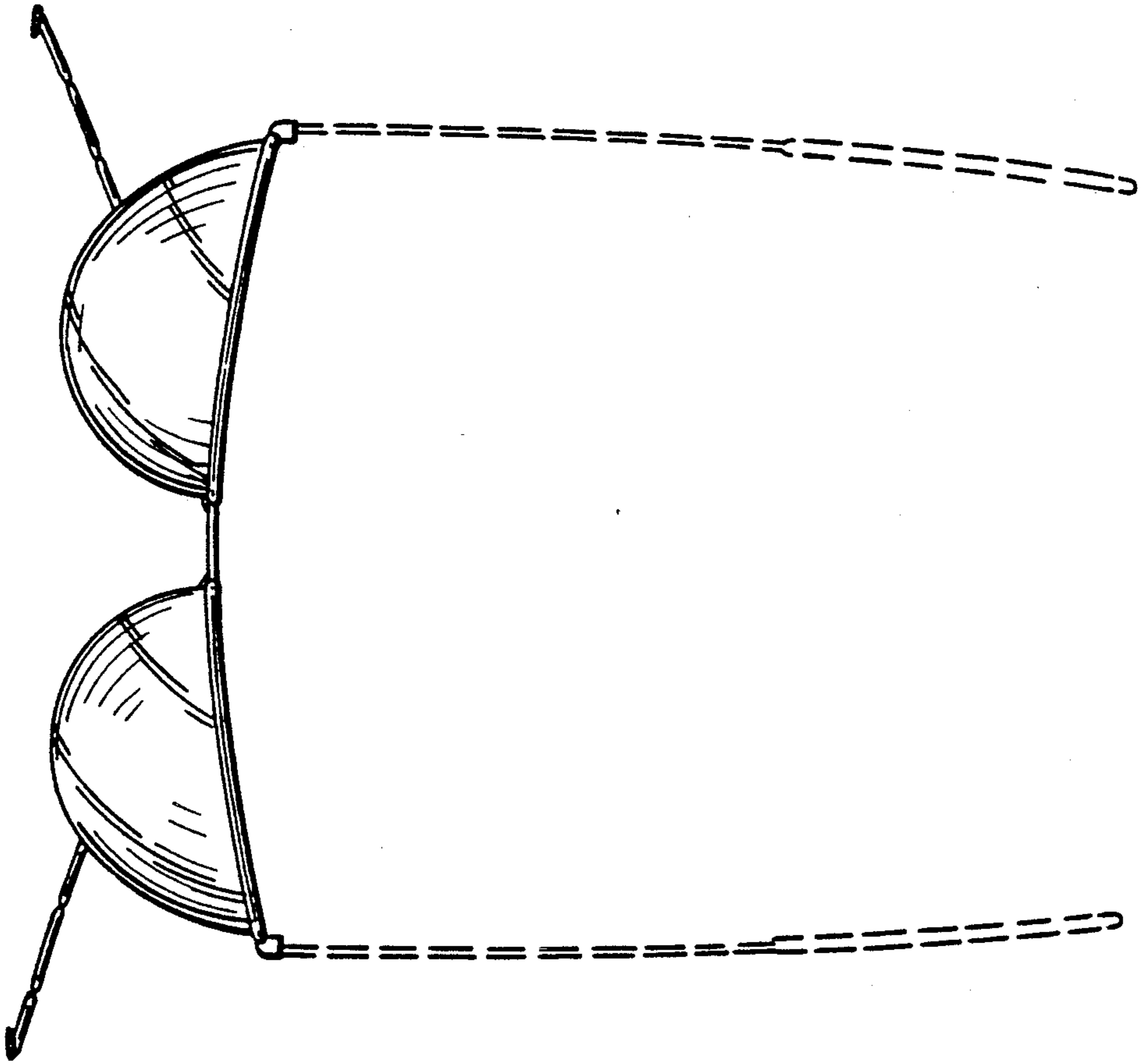


FIG 5